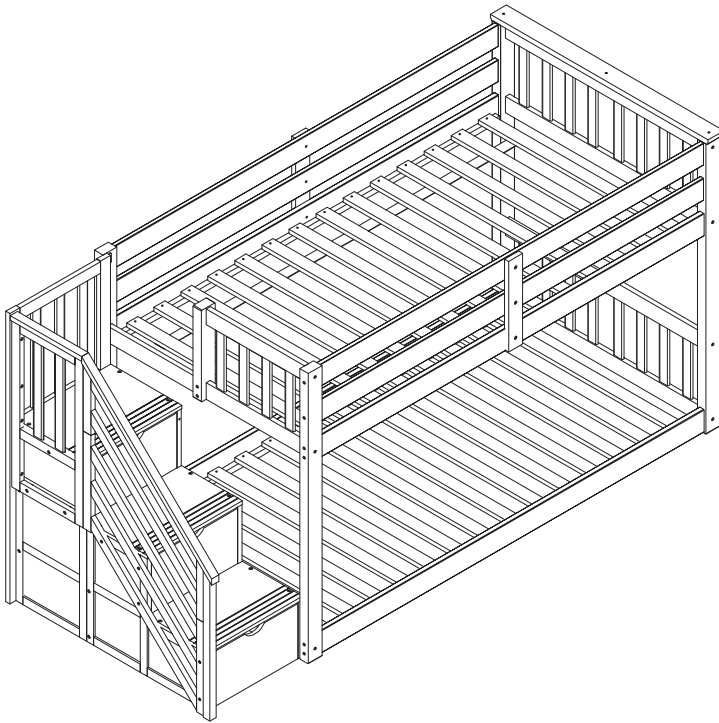


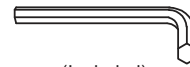
ASSEMBLY INSTRUCTIONS



TOOLS REQUIRED



Screwdriver
(Not included)



(Included)

Allen Wrench



2 - People

ASSEMBLY RATING



EASY ————— DIFFICULT

The Assembly Rating is a 5-point system showing the level of effort needed to assemble a specific product.



CHECK BEFORE STARTING

Are you missing anything?

Double-check all parts, hardware and accessories listed are all accounted for.

Should we send any replacements?

Are there any irregularities or flaws in the parts?
We can send replacements!

Check out our Quick Tips!

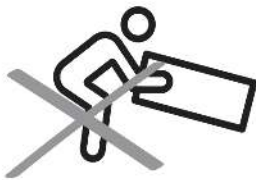
We recommend reviewing the pre-assembly handouts. Even experts need a refresher now and then!

Prep Time!

Please review the assembly instructions and all diagrams prior to assembling.

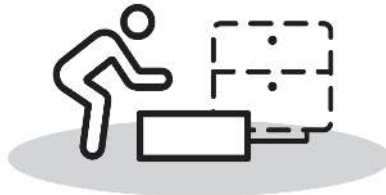
PRE ASSEMBLY INTRODUCTION

We understand building ready-to-assemble furniture can be a challenging experience for some. To help avoid confusion, we have provided some helpful tips that may speed up the process.



Teamwork

ALWAYS have at least two people to help with transporting and assembling the product to avoid potential injury and/or damage.



Suitable Location

Assembling near the area of the intended location is highly recommended.



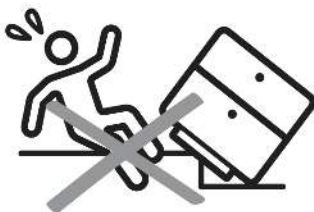
Sufficient Space

Make sure you have enough space to move around during the assembly.



Avoid Scratches

Use cardboard, blankets or a carpeted area while assembling furniture to prevent scratches and damages.



Flat Surface

Make sure the furniture rests on a flat and level surface with each leg evenly touching the floor.

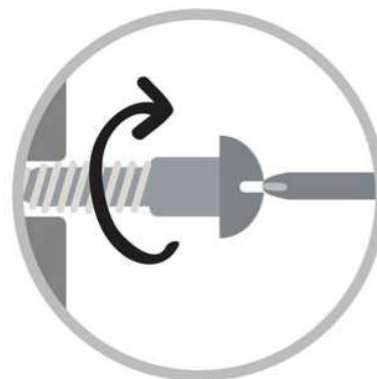
ASSEMBLY AND CARE ADVICE



FAILURE TO FOLLOW THE GUIDELINES BELOW MAY RESULT IN INJURY AND/OR PROPERTY DAMAGE.



Position each part correctly and insert screws or bolts into their respective holes.



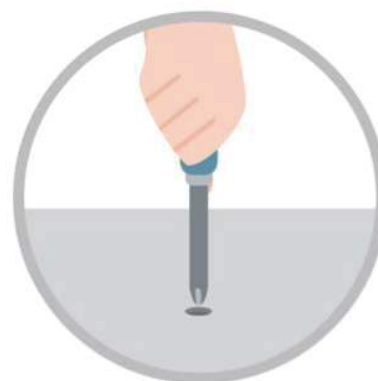
Turn clockwise to tighten and only tighten when step is completed or when instructed to do so.



Use the appropriate hand tools or power tools for assembly. Select steps, such as tightening screws and/or bolts, may require hand tools to avoid causing damage during assembly.



Save the instructions and store any supplied tools for later maintenance.



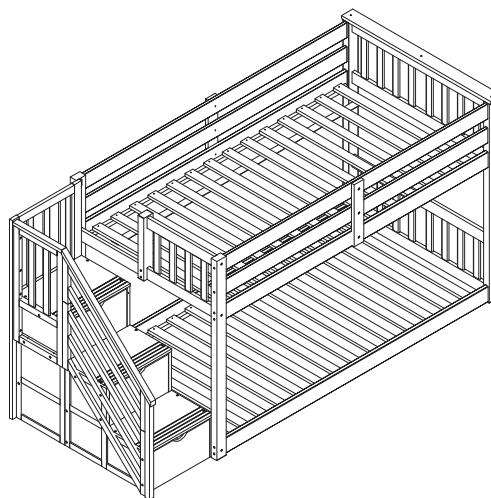
After two weeks, check and tighten any loose hardware and repeat again every six months thereafter.

IT IS THE USER'S RESPONSIBILITY TO MAINTAIN THE FURNITURE. THE HARDWARE MAY LOOSEN OVER TIME AND MAY CAUSE THE FURNITURE TO BE WOBBLY AND UNABLE TO SUPPORT ITS INTENDED WEIGHT CAPACITY. THIS MAY LEAD TO COLLAPSE AND MAY CAUSE SERIOUS INJURY.

BUNKBED



- Please keep instructions for future reference.
- Check the quantity and irregularity of parts and hardware before you start.



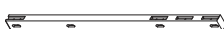
PARTS

①



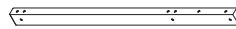
Right Headboard
Post (front)
1 PC.

②



Right Headboard
Post (back)
1 PC.

③



Left Headboard
Post (front)
1 PC.

④



Left Headboard
Post (back)
1 PC.

⑤



Upper Side Rail
(front + back)
2 PCS.

⑥



Lower Side Rail
(front + back)
1 PC.

⑦



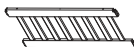
Guardrail
4 PCS.

⑧



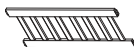
Guardrail
2 PCS.

⑨



Right Headboard
Frame
1 PC.

⑩



Right Headboard
Frame
1 PC.

⑪



Left Headboard
Frame
1 PC.

⑫



Top Upper
Headboard
1 PC.

⑬



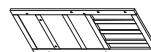
Guardrail
Attachment
1 PC.

⑭



Left Bottom
Guardrail
1 PC.

⑮



Back Ladder
1 PC.

⑯



Back Handrail
1 PC.

PARTS

17



Top Handrail
1 PC.

18



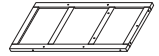
Upper Handrail
1 PC.

19



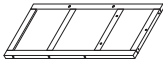
Handrail
Crossbar
1 PC.

20



Back Ladder
Frame (Left)
1 PC.

21



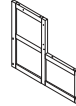
Back Ladder
Frame (Right)
1 PC.

22



Front Ladder
Frame (Left)
1 PC.

23



Front Ladder
Frame (Right)
1 PC.

24



Crossbar
3 PCS.

25



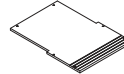
Stair Tread
Plate
1 PC.

26



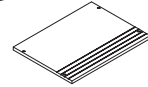
Bottom Ladder
Frame
1 PC.

27



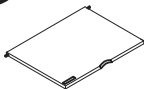
Between
Ladder Frame
1 PC.

28



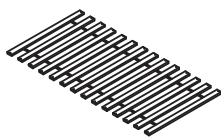
Top Ladder
Frame
1 PC.

29



Drawer Face
3 PCS.

30



Twin Slat Kit
2 set (14pcs).

HARDWARE

(A)



Bolt
#7 x 4"
8 PCS.

(B)



Bolt
#7 x 3-1/4"
14 PCS.

(C)



Bolt
Ø1/4 x 1-1/4"
43 PCS.

(D)



Bolt
Ø1/4 x 2"
10 PCS.

(E)



Bolt
Ø1/4" x 4"
16 PCS.

(F)



Nut
Ø1/4" x 1"
8 PCS.

(G)



Screw
#4 x 35mm
60 PCS.

(H)



Screw
#40 x 25 x 25 x 1.5mm
1 PC.

(I)



Wood Dowel
40 x 10 x 10
20 PCS.

(J)



Screw
#3.5 x 15mm
4 PCS.

(K)



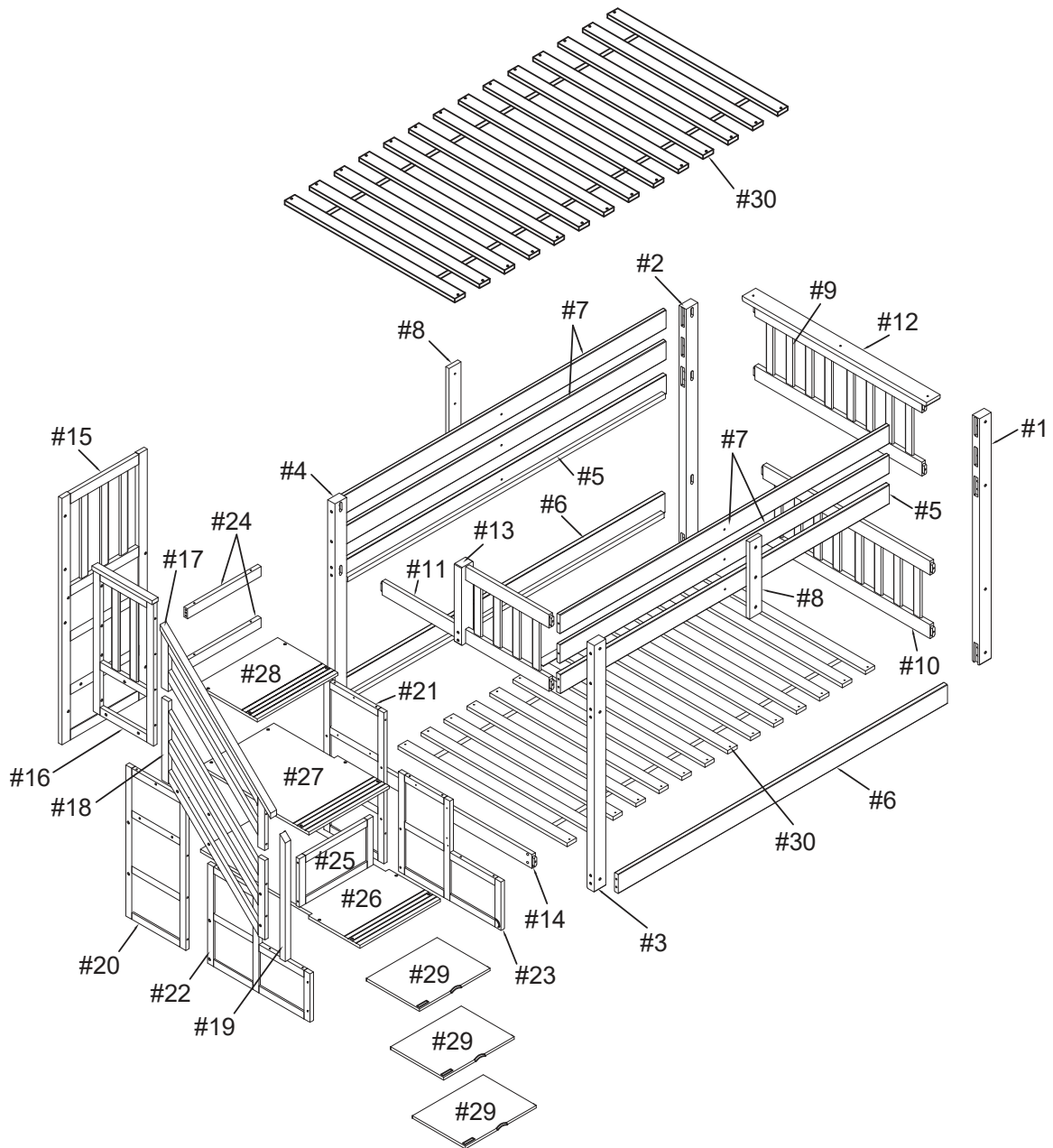
Bolt
Ø1/4" x 1"
6 PCS.

(L)

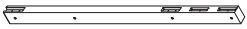








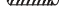




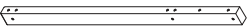
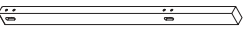

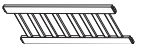
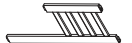




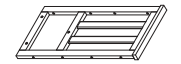




Allen Wrench 4mm
2 PCS.


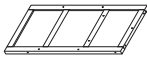
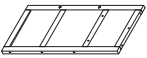
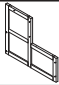
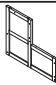

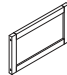
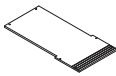
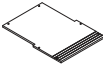
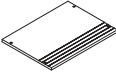





Exploded View



packed in 2 cases

Carton	Disignation	Part	Hardware
1	Right Headboard Post (front)	#1 	 A : 8PCS  B : 14PCS  C : 43PCS  D : 12PCS  E : 16PCS  F : 8PCS  G : 60PCS  H : 1PC  I : 16PCS  J : 4PCS  K : 6PCS  L : 2PCS
	Right Headboard Post (back)	#2 	
	Left Headboard Post (front)	#3 	
	Right Headboard Post (back)	#4 	
	Right Headboard Frame (top)	#9 	
	Right Headboard Frame (Bottom)	#10 	
	Left Headboard Frame	#11 	
	Top Upper Headboard	#12 	
	Guardrail Attachment	#13 	
	Left Bottom Guardrail	#14 	
	Back Ladder	#15 	
	Back Handrail	#16 	
	Top Handrail	#17 	
	Upper Handrail	#18 	

packed in 2 cases

Carton	Disignation	Part	Hardware
	Handrail Crossbar	#19	
	Back Ladder Frame (Left)	#20	
	Back Ladder Frame (Right)	#21	
	Front Ladder Frame (Left)	#22	
	Front Ladder Frame (Right)	#23	
	Crossbar	#24	
	Stair Tread Plate	#25	
	Bottom Ladder Frame	#26	
	Between Ladder Frame	#27	
	Top Ladder Frame	#28	
	Drawer Face	#29	
	2	Upper Side Rail (front+back)	#5
Lower Side Rail (front+back)		#6	
Guardrail		#7	
Guardrail Post (front)		#8	
Twin Slat Kit 2 set (14pcs)		#30	

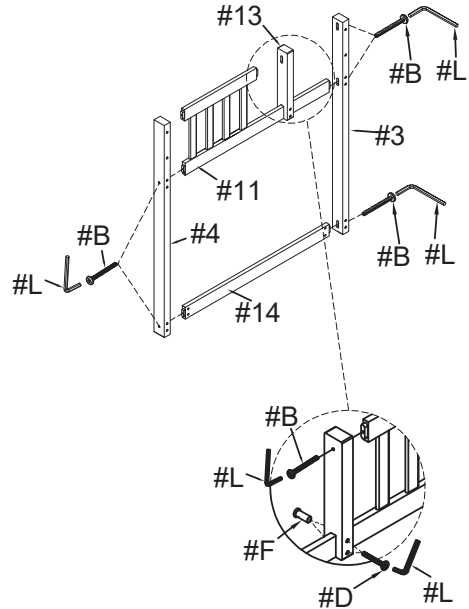
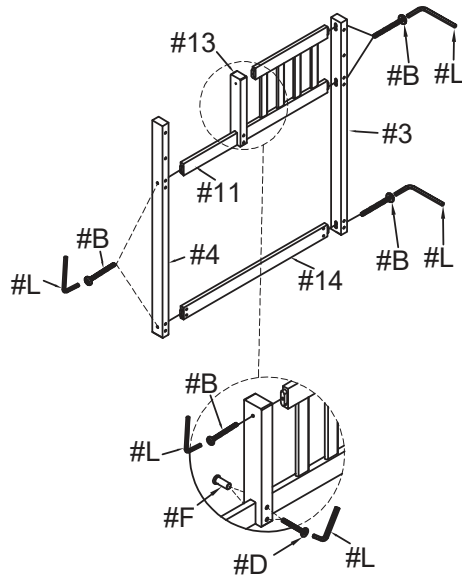
ASSEMBLY INSTRUCTIONS

Option:
LADDER LEFT

Option:
LADDER RIGHT

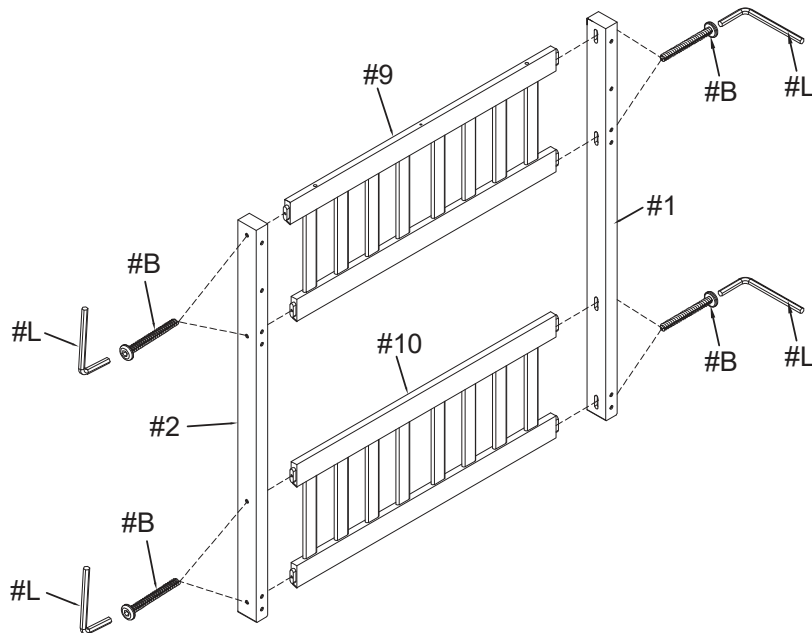
1

- Part #3 x1pc
- Part #4 x1pc
- Part #11 x1pc
- Part #13 x1pc
- Part #14 x1pc
- Hardware #B x6pcs
- Hardware #D x2pcs
- Hardware #F x2pcs



2

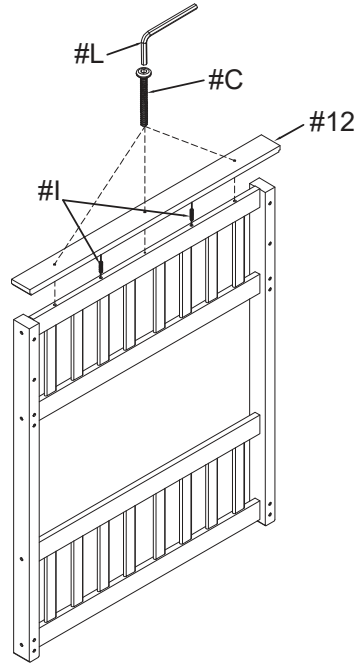
- Part #1 x1pc
- Part #2 x1pc
- Part #9 x1pc
- Part #10 x1pc
- Hardware #B x8pcs



ASSEMBLY INSTRUCTIONS

3

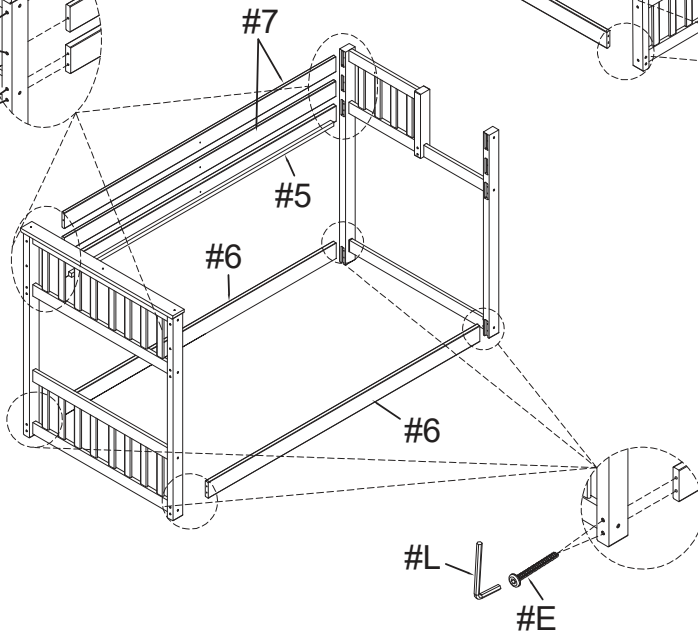
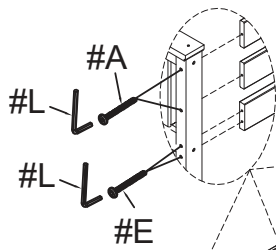
- Part #12 x1pc
- Hardware #C x3pcs
- Hardware #I x2pcs



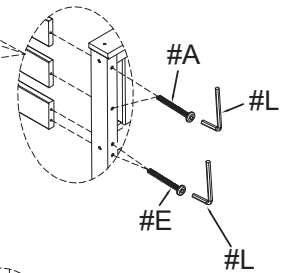
4

- Part #5 x1pc
- Part #6 x2pcs
- Part #7 x2pcs
- Hardware #A x4pcs
- Hardware #E x12pcs

LADDER LEFT



LADDER RIGHT

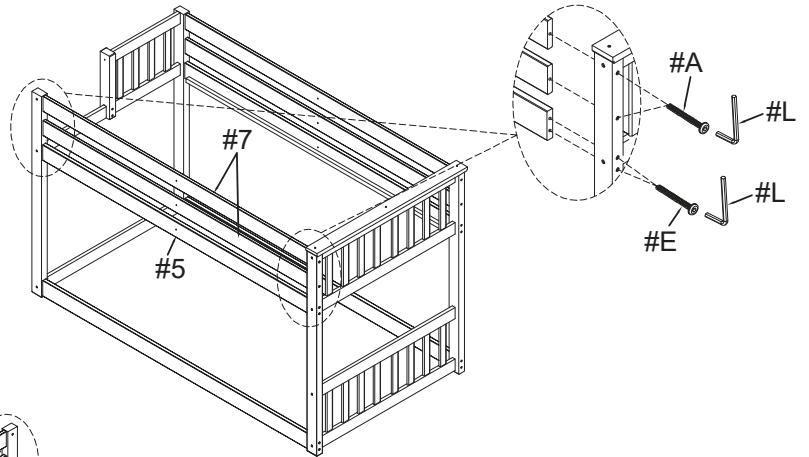


ASSEMBLY INSTRUCTIONS

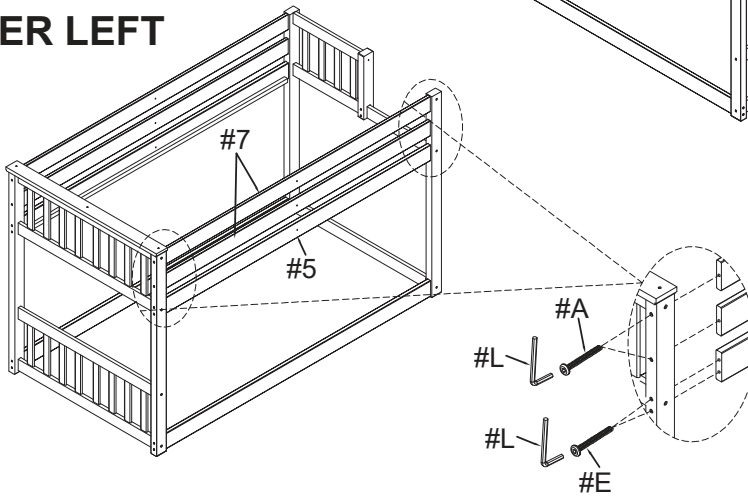
LADDER RIGHT

5

- Part #5 x1pc
- Part #7 x2pcs
- Hardware #A x4pcs
- Hardware #E x4pcs

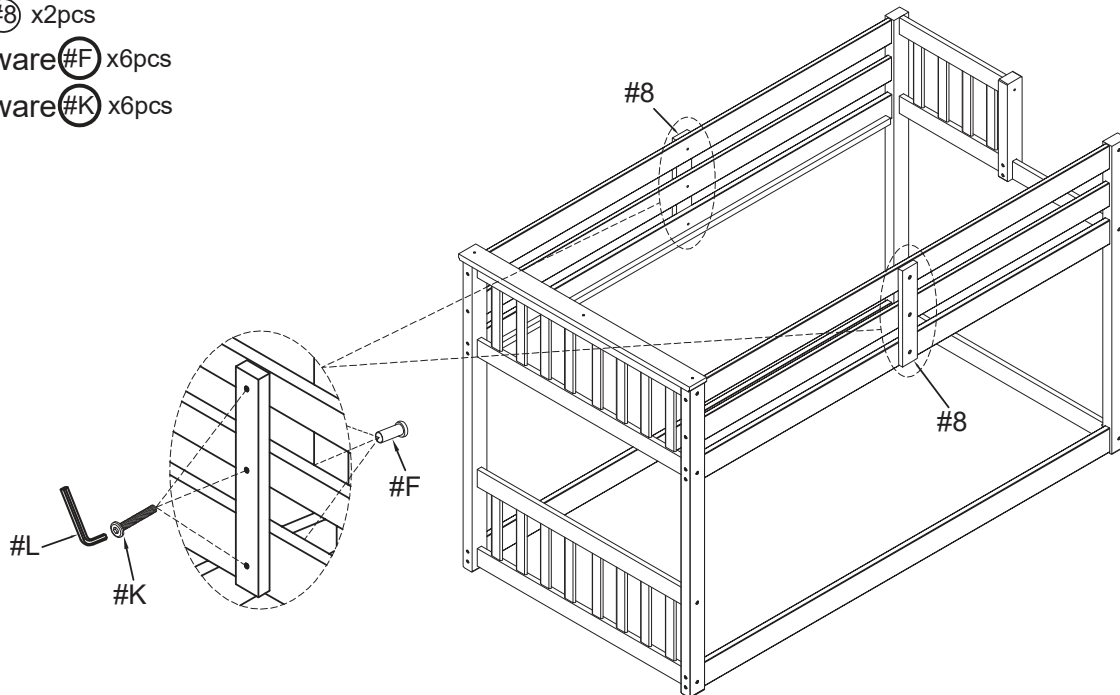


LADDER LEFT



6

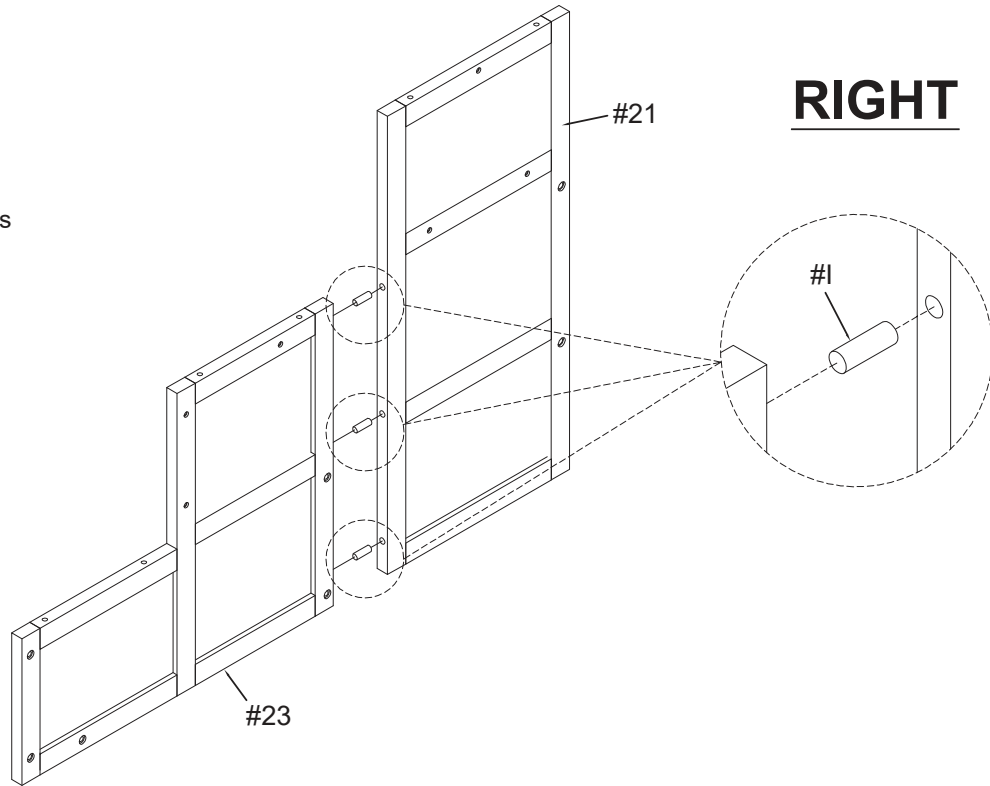
- Part #8 x2pcs
- Hardware #F x6pcs
- Hardware #K x6pcs



ASSEMBLY INSTRUCTIONS

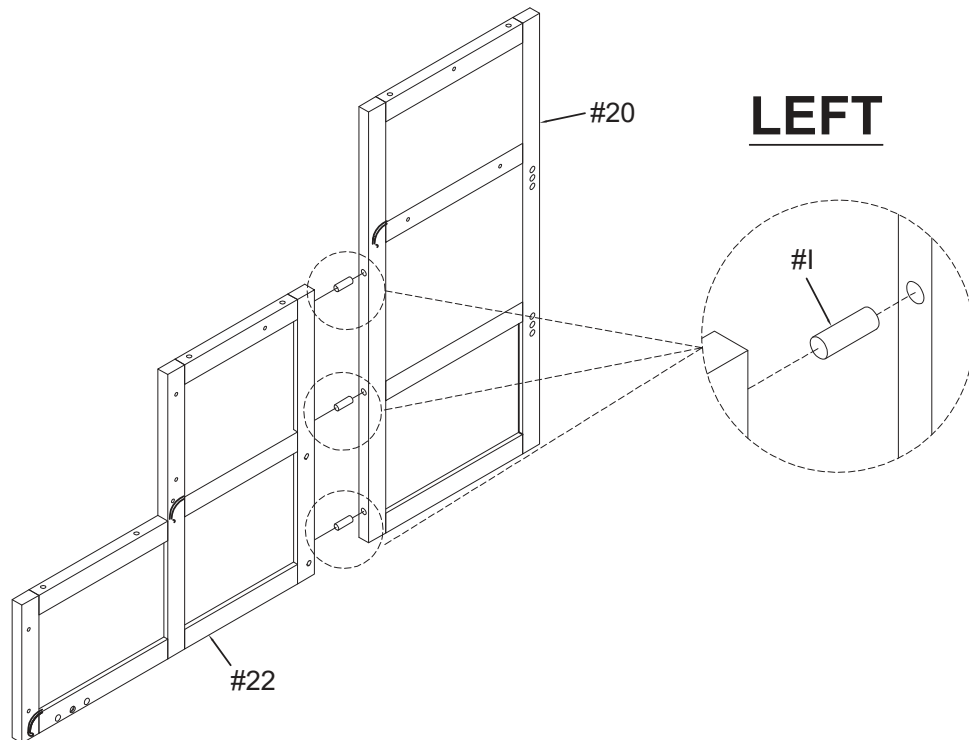
7

- Part #21 x1pc
- Part #23 x1pc
- Hardware #1 x3pcs



8

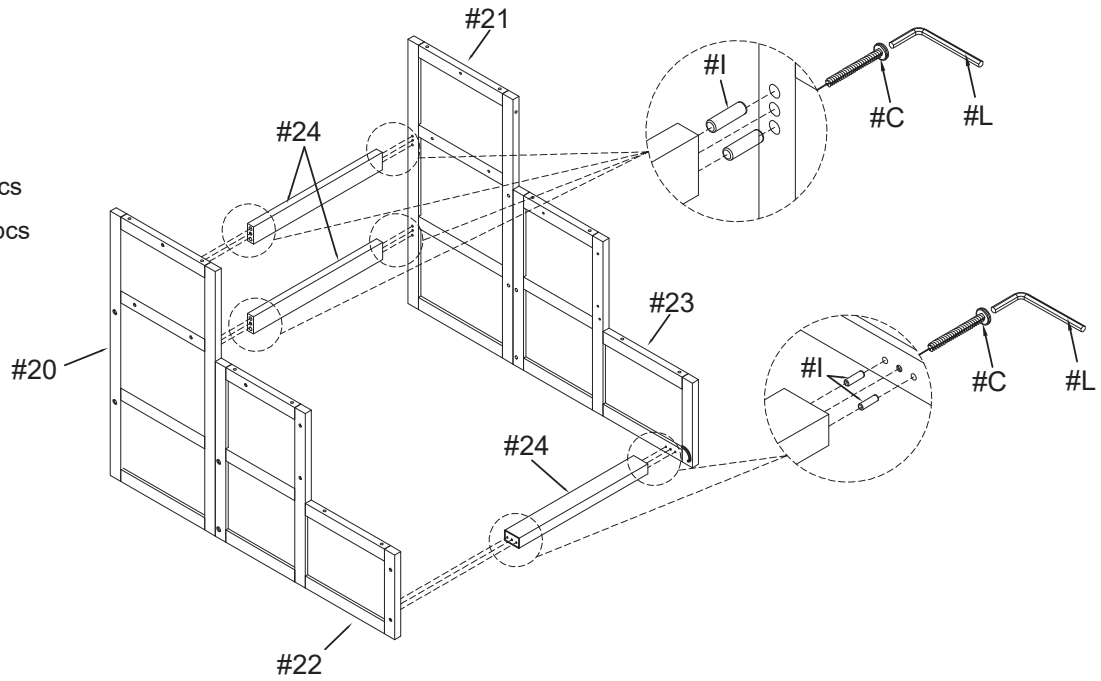
- Part #20 x1pc
- Part #22 x1pc
- Hardware #1 x3pcs



ASSEMBLY INSTRUCTIONS

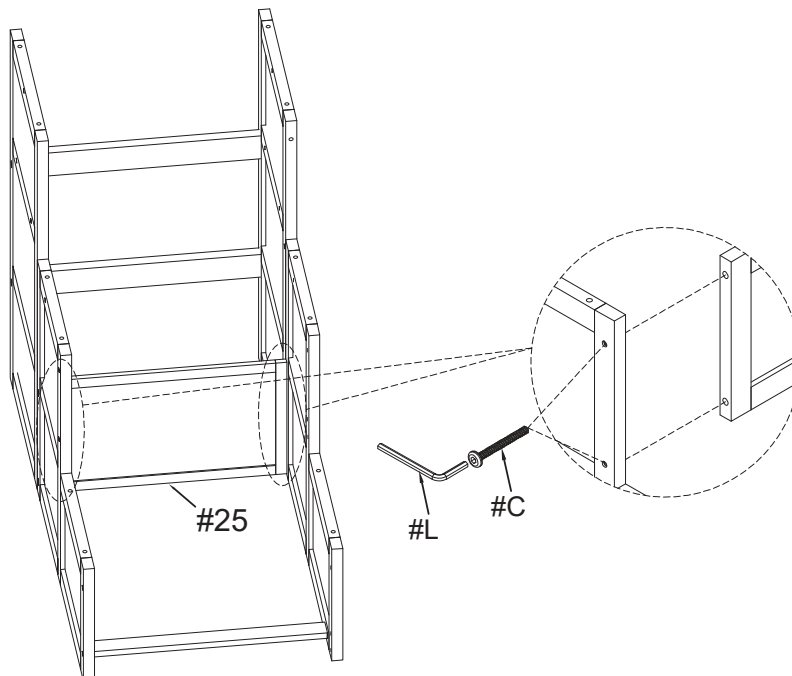
9

- Part #24 x3pcs
- Hardware #C x6pcs
- Hardware #I x12pcs



10

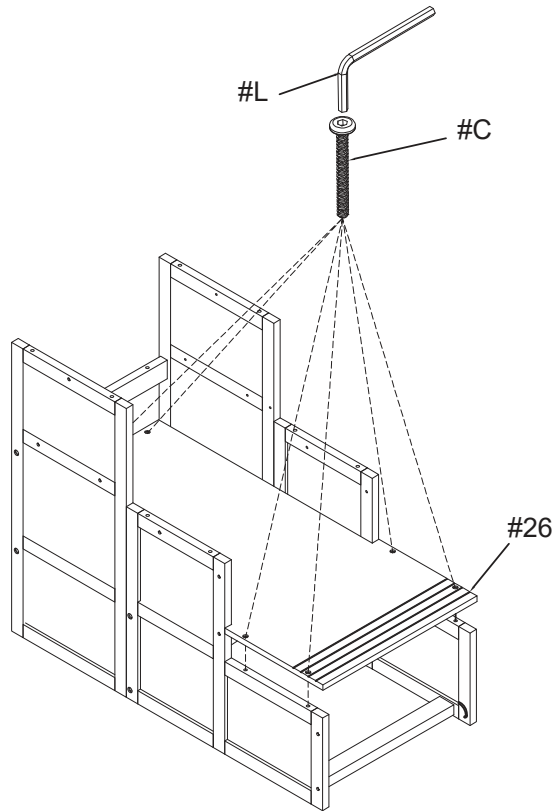
- Part #25 x1pc
- Hardware #C x4pcs



ASSEMBLY INSTRUCTIONS

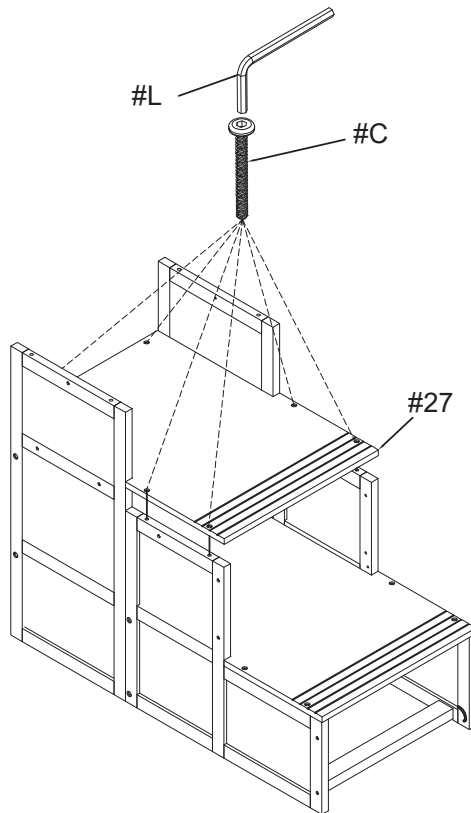
11

Part #26 x1pc
Hardware #C x6pcs



12

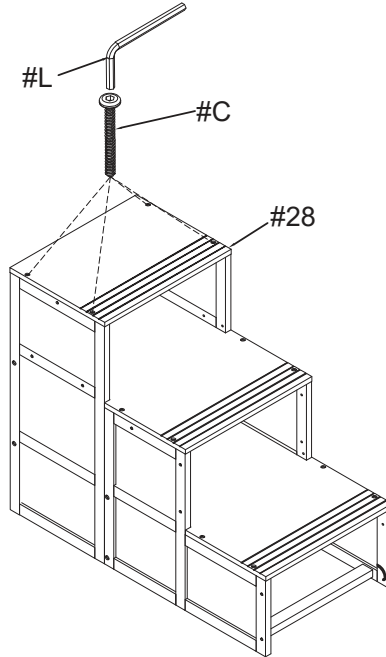
Part #27 x1pc
Hardware #C x6pcs



ASSEMBLY INSTRUCTIONS

13

Part #28 x1pc
Hardware #C x4pcs

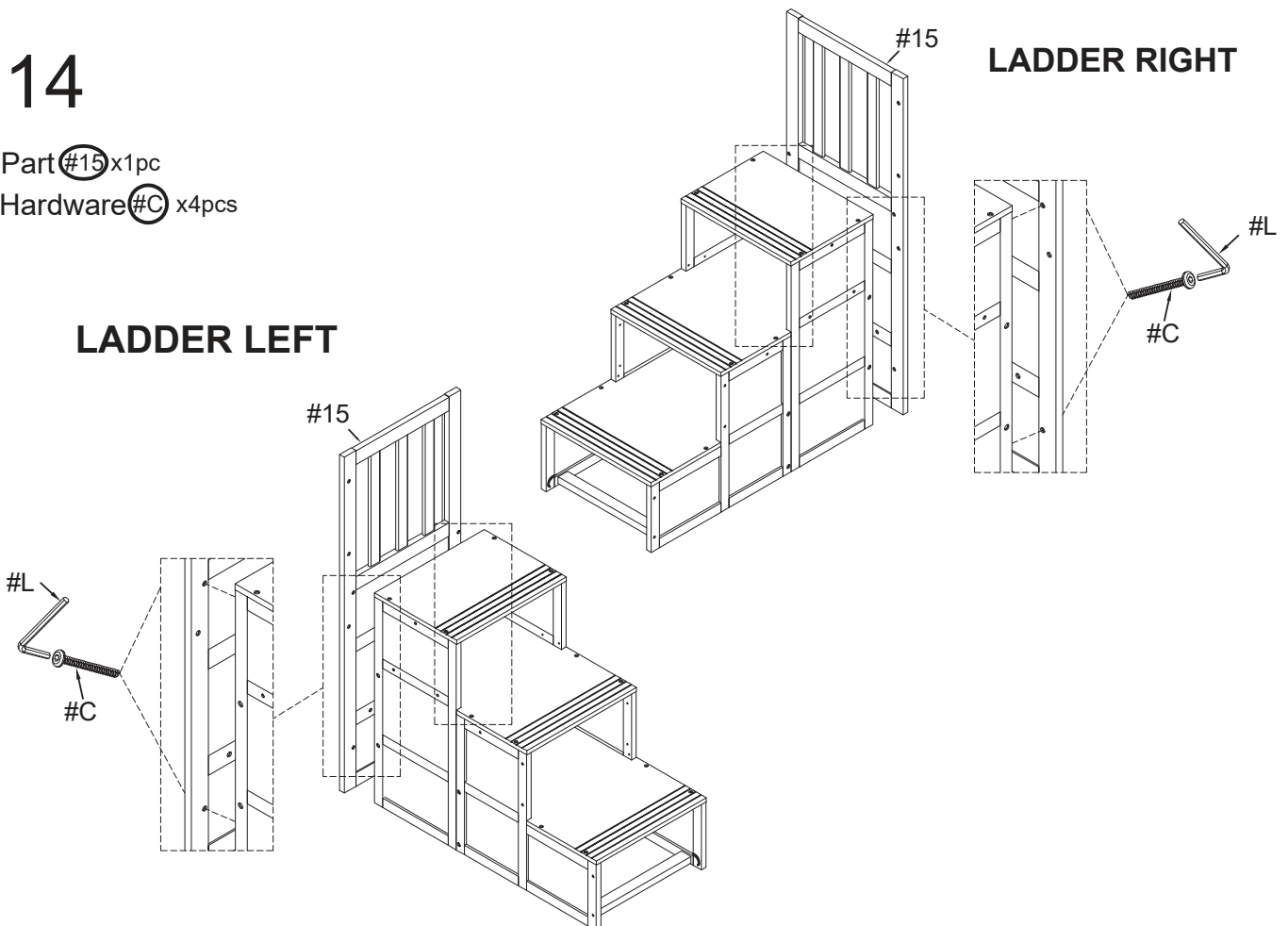


14

Part #15 x1pc
Hardware #C x4pcs

LADDER LEFT

LADDER RIGHT



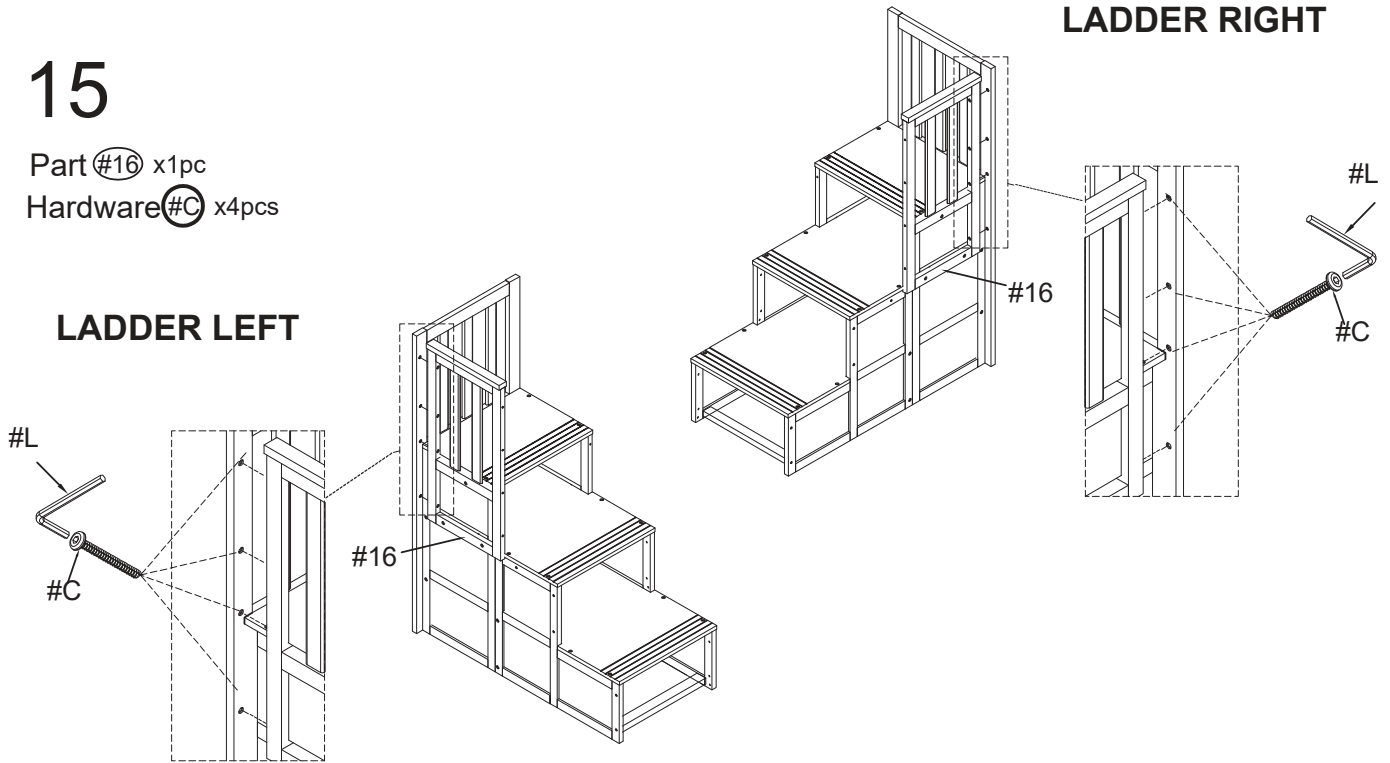
ASSEMBLY INSTRUCTIONS

15

Part #16 x1pc
Hardware #C x4pcs

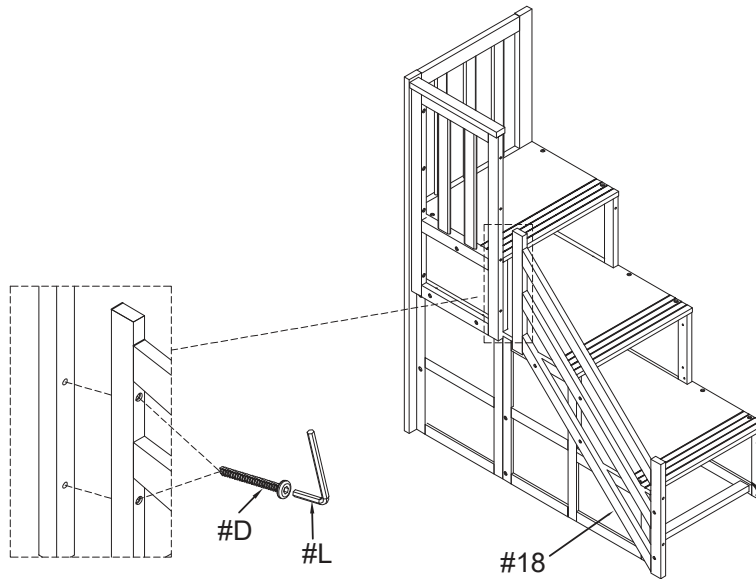
LADDER LEFT

LADDER RIGHT



16

Part #18 x1pc
Hardware #D x2pcs

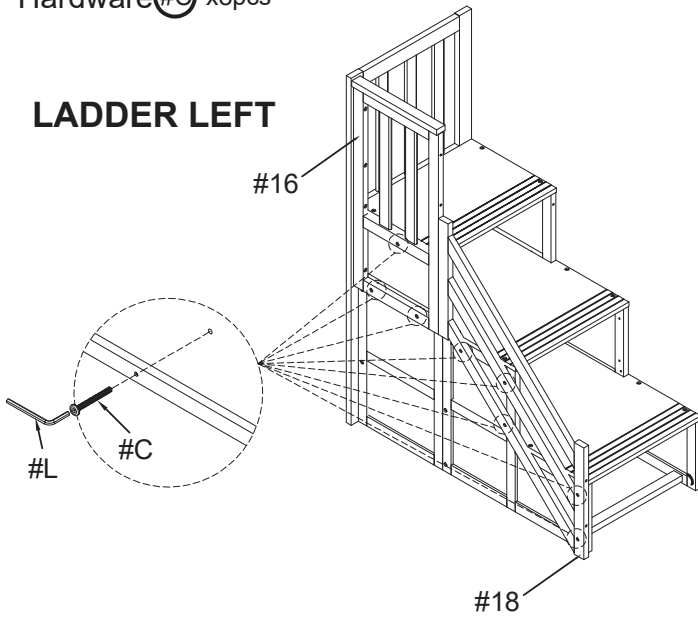


ASSEMBLY INSTRUCTIONS

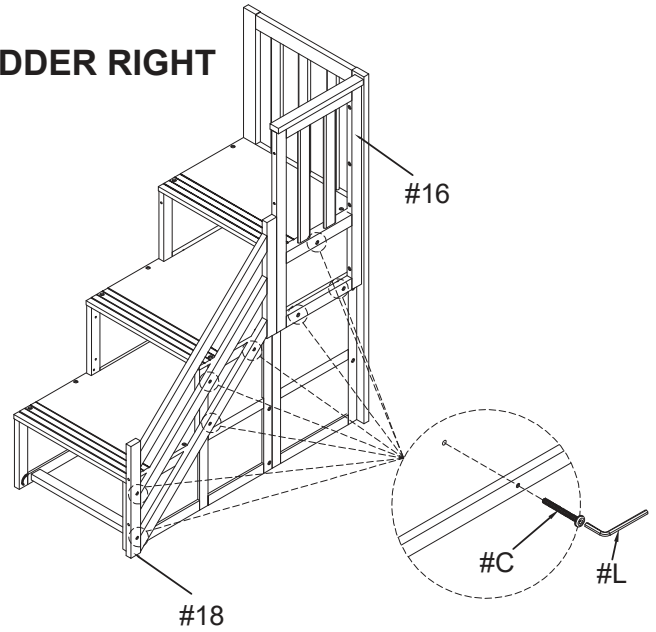
17

Hardware **#C** x8pcs

LADDER LEFT



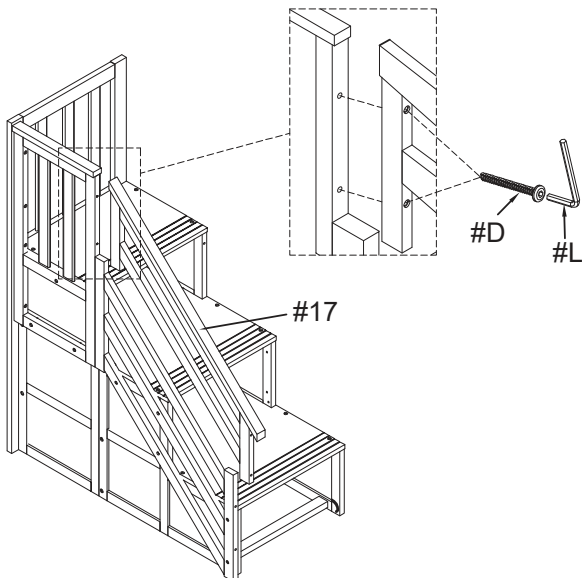
LADDER RIGHT



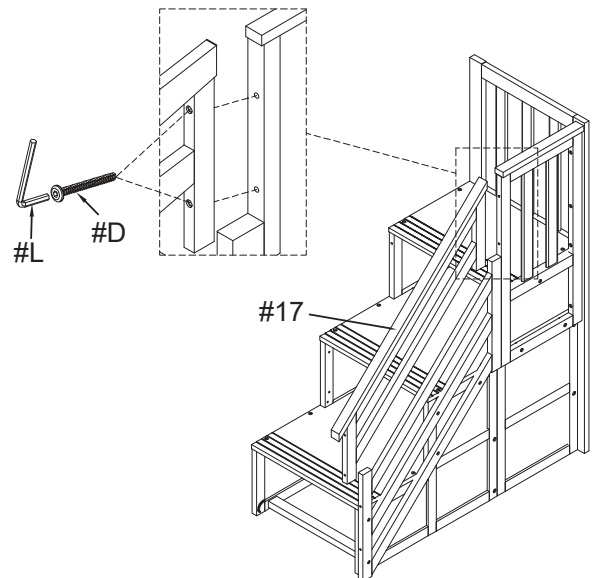
18

Part **#17** x1pc

Hardware **#D** x2pcs **LADDER LEFT**



LADDER RIGHT



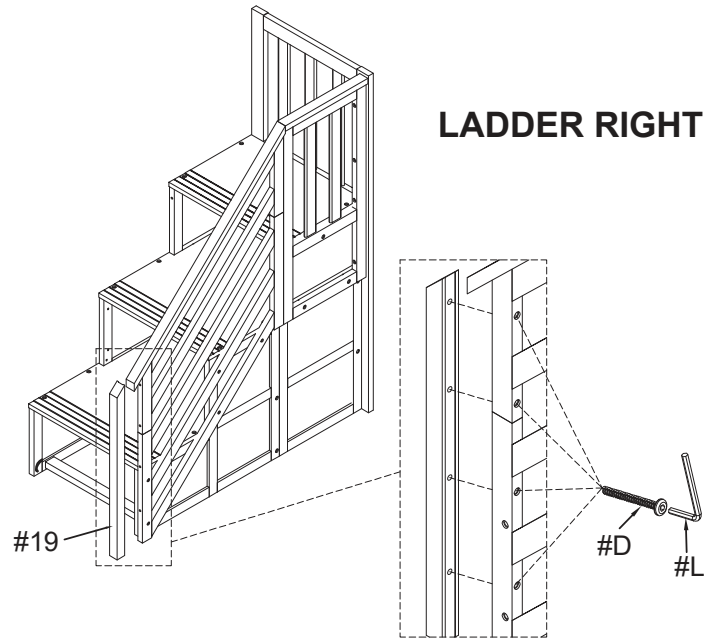
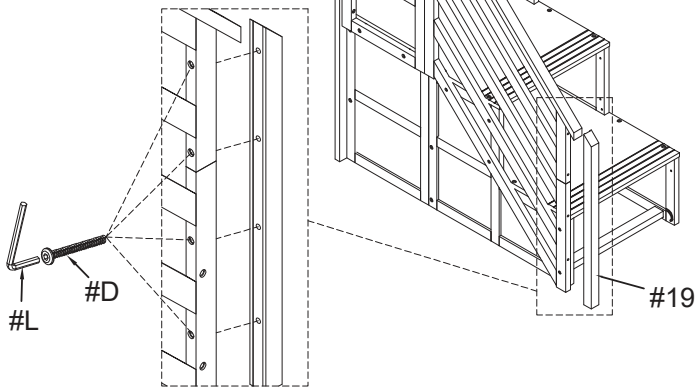
ASSEMBLY INSTRUCTIONS

19

Part #19 x1pc
Hardware #D x4pcs

LADDER LEFT

LADDER RIGHT

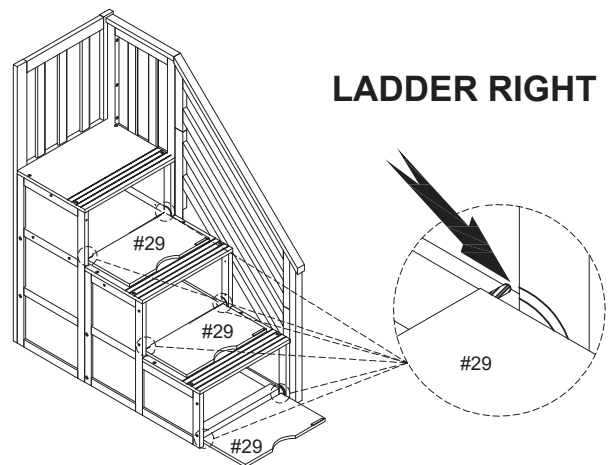
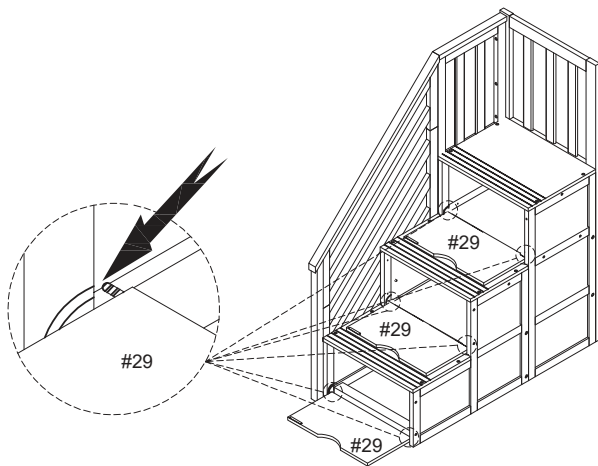


20

Part #29 x3pcs

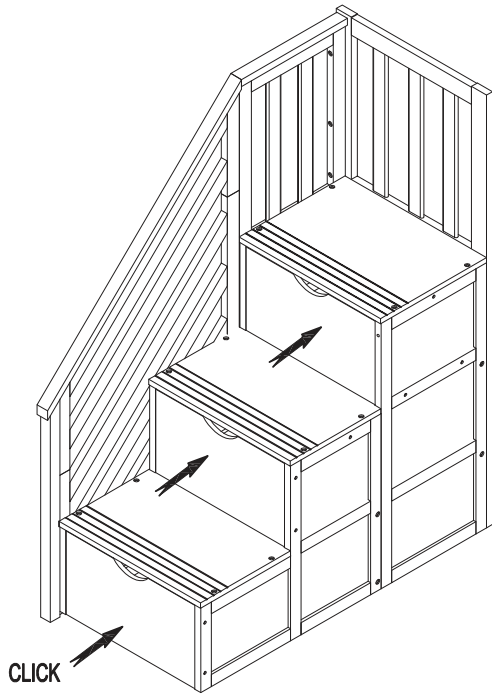
LADDER LEFT

LADDER RIGHT

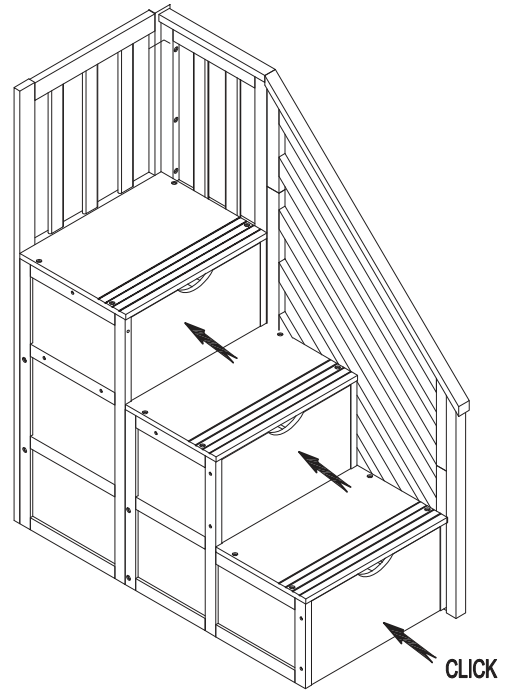


ASSEMBLY INSTRUCTIONS

21



LADDER LEFT



LADDER RIGHT

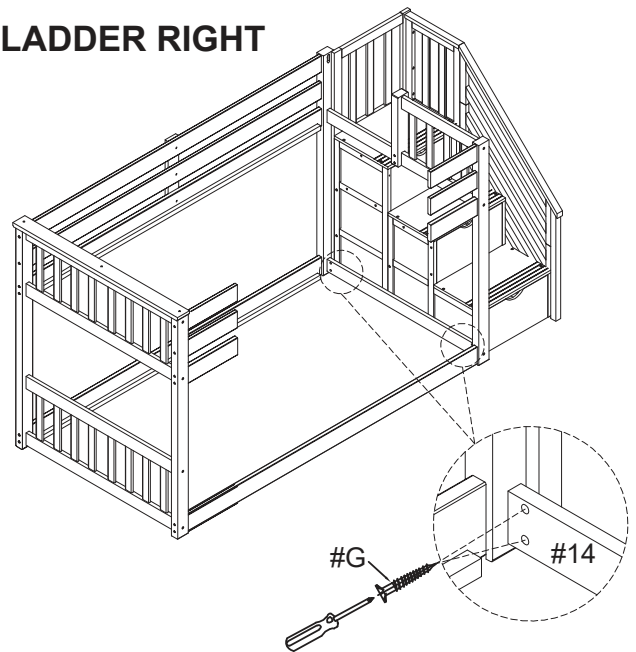
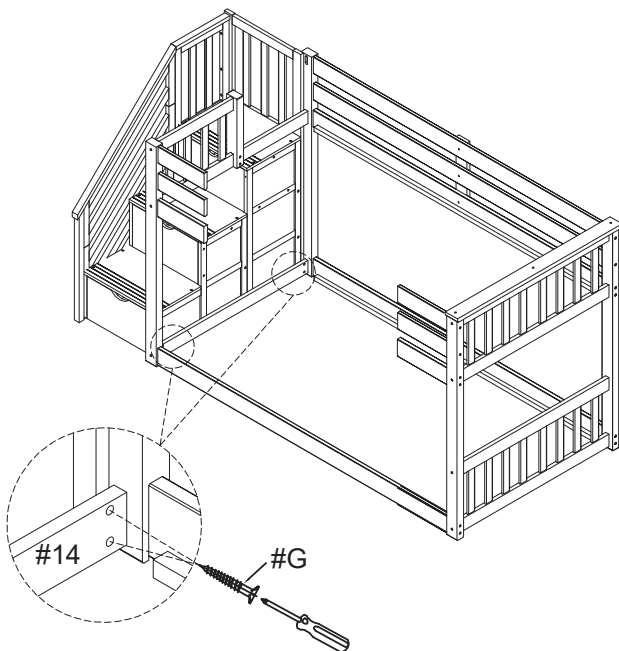
22

Part #14 x1pc

Hardware #G x4pcs

LADDER LEFT

LADDER RIGHT



ASSEMBLY INSTRUCTIONS

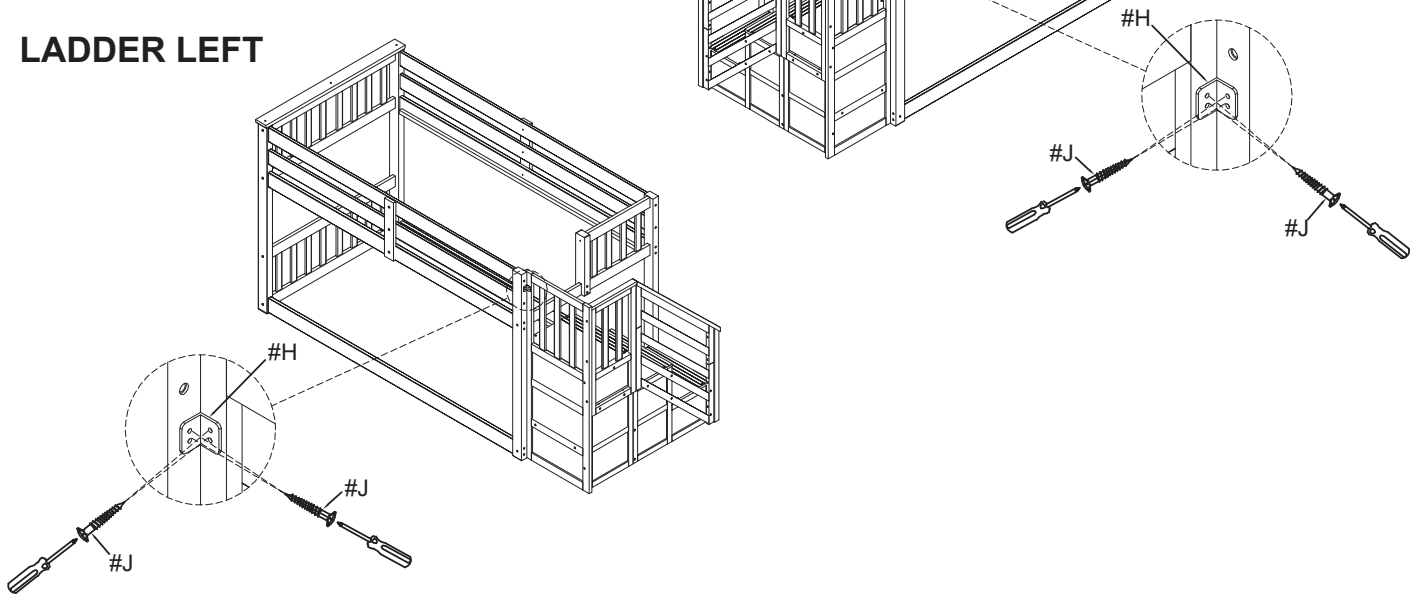
23

Hardware #J x4pcs

Hardware #H x1pc

LADDER RIGHT

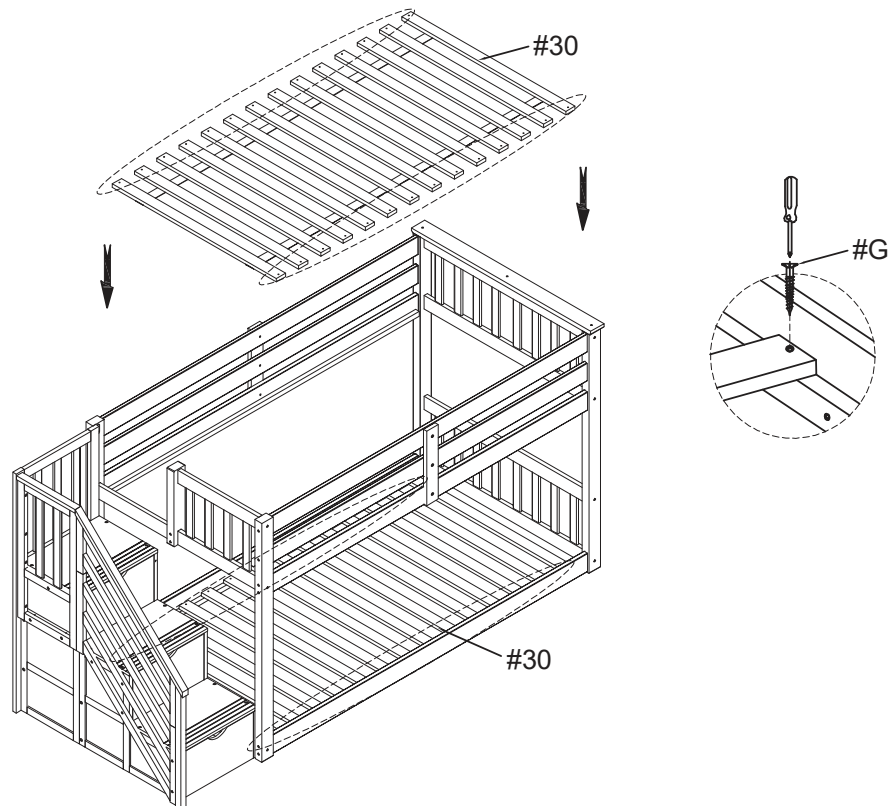
LADDER LEFT



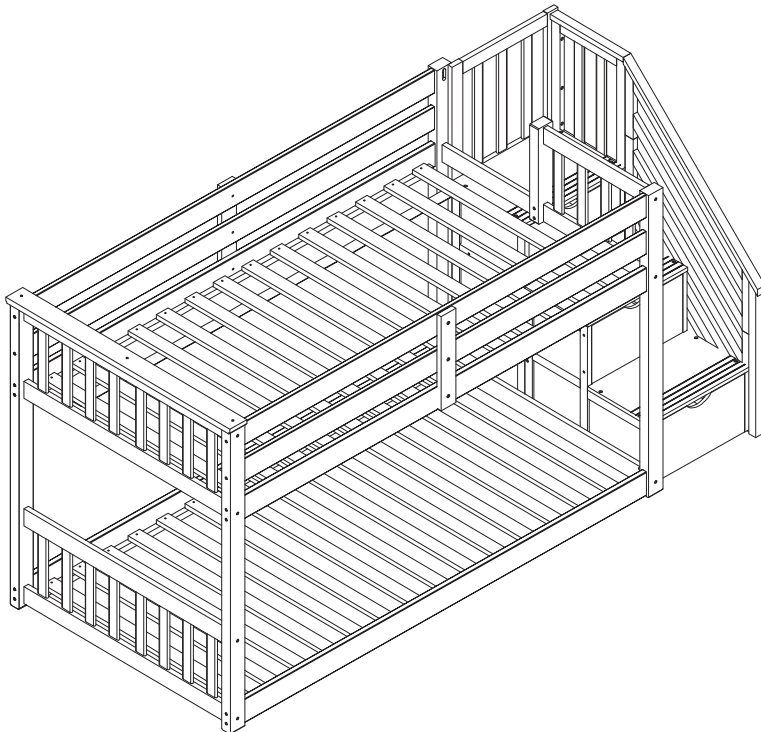
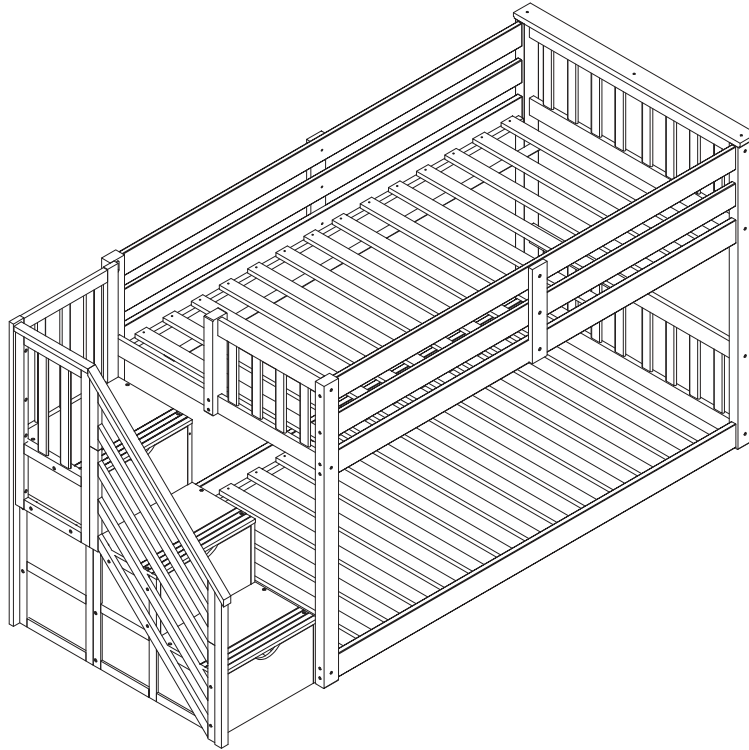
24

Part #30 x2pcs

Hardware #G x56pcs




ASSEMBLY INSTRUCTIONS



ASSEMBLY COMPLETED

 Please ensure the furniture rests on an even and flat surface. If the product wobbles or feels loose, double-check all bolts and/or screws are properly tightened and secured.

 **Keep this handy!**
Please retain this instruction manual and any order-related information for future reference.

 **Lift, don't drag!**
To avoid damage to product please always LIFT the product when transporting or adjusting the placement.

ASSEMBLY IS COMPLETED

This product is intended for RESIDENTIAL USE ONLY and not for commercial use.

Safety Warnings for Bunk Beds

1. Read and follow the information on the WARNING labels shown on the end structure of the upper bunk and on the carton.
2. Do not remove warning labels from the bed.
3. Keep these instructions for future use.
4. **IMPORTANT:** Must use Bunkie mattress or Bunkie board. The proper sizes for the UPPER/LOWER TWIN-SIZE Bunkie mattress or Bunkie board should be 74"- 75" long and 37 ½"- 38 ½" wide with no more than 6" thickness and for the UPPER/LOWER FULL -SIZE should be 74"-75" long and 53" – 54" wide with no more than 6" thickness.
5. Surface of mattress must be at least 5 inches (127 mm) BELOW the upper edge of the guardrails.
6. The **MAXIMUM** weight capacity for the upper bunk is not to exceed 150 lbs.
7. Do not allow children under 6 years of age to use the upper bunk.
8. Periodically check and ensure that the guardrails, ladder, handle and other components are in their proper position, free from damage, and that all connectors are tightened and secured.
9. **DO NOT** allow horseplay, rough playing, or jumping on the beds and do not allow playing or hiding under the beds.
10. Always use the ladder for entering or leaving the upper bunk.
11. Do not use substitute parts. Contact the manufacturer or dealer for replacement parts.
12. Use of a nightlight may provide added safety precaution for a person using the upper bunk.
13. Always use the guardrails on both sides of the upper bunk.
14. If the bunk bed will be placed next to a wall, the guardrail that runs the full length of the bed should be placed against the wall to prevent entrapment between the bed and the wall.
15. The use of water or sleep flotation mattresses is prohibited.
16. No more than one person is allowed on the upper bunk at all times.
17. Always use the recommended size mattresses or mattress supports, or both, to help prevent the like likelihood of entrapment or falls.



Objects such as, but not limited to, hanger, hooks, belts, bag, rope strings, etc. should not be hanged or used on or around the bunk bed.

Replacement Parts:

Replacement parts may be obtained from your Furniture of America dealer.