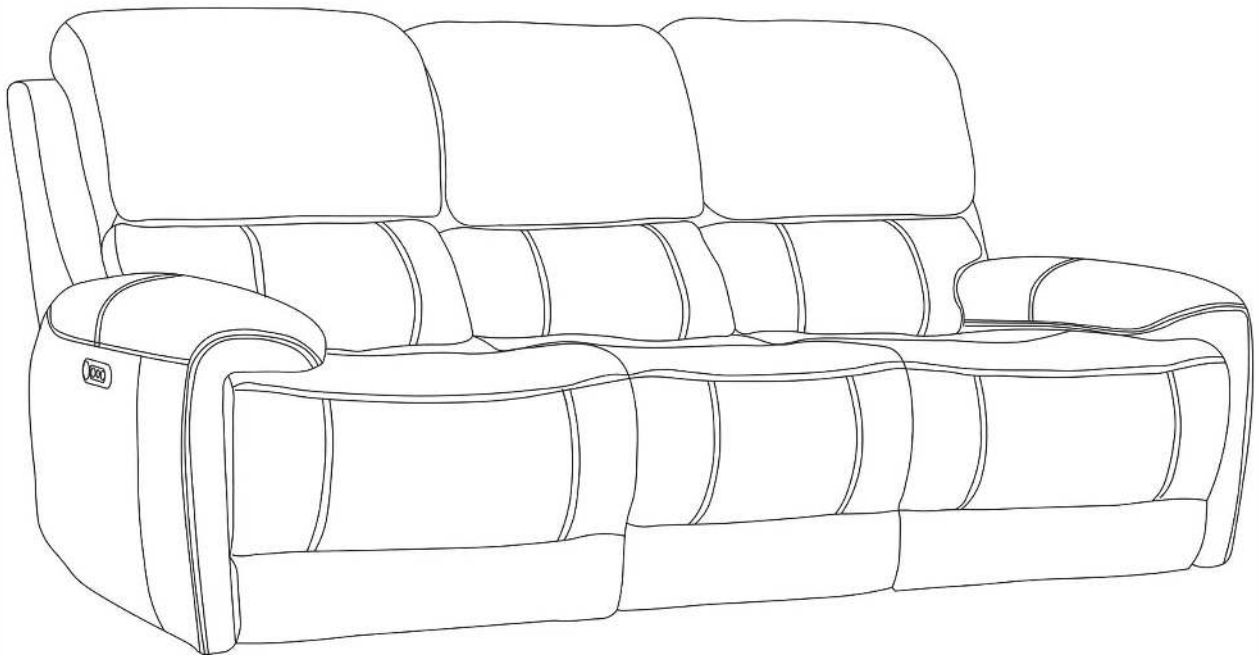
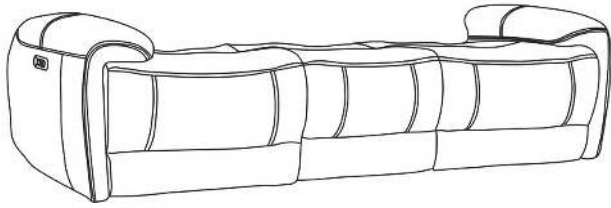


POWER SOFA

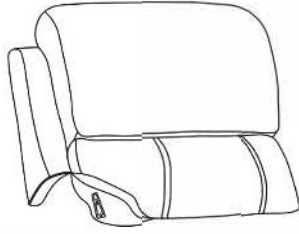
ASSEMBLY INSTRUCTIONS
NOTICE DE MONTAGE



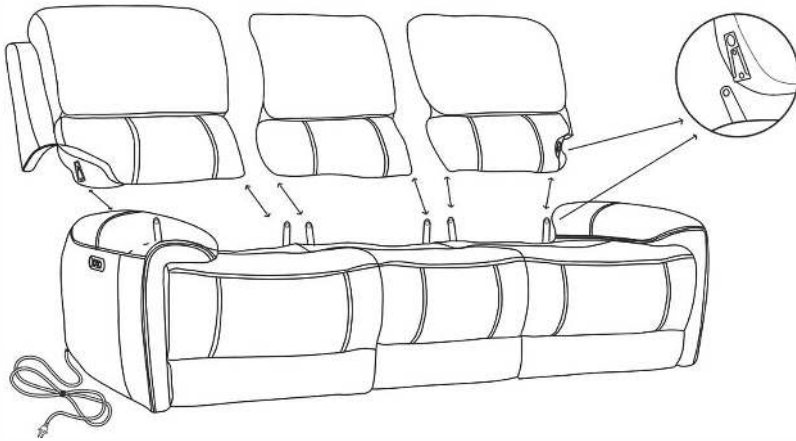
x1



x1

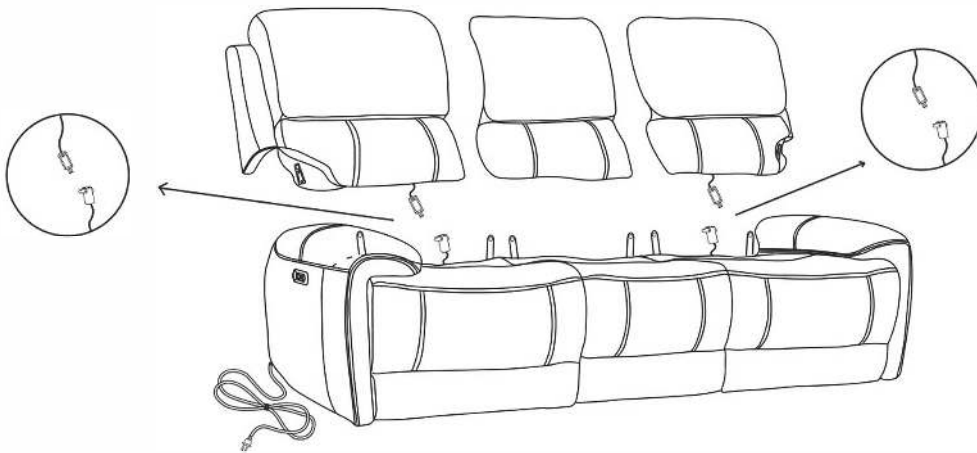


x1



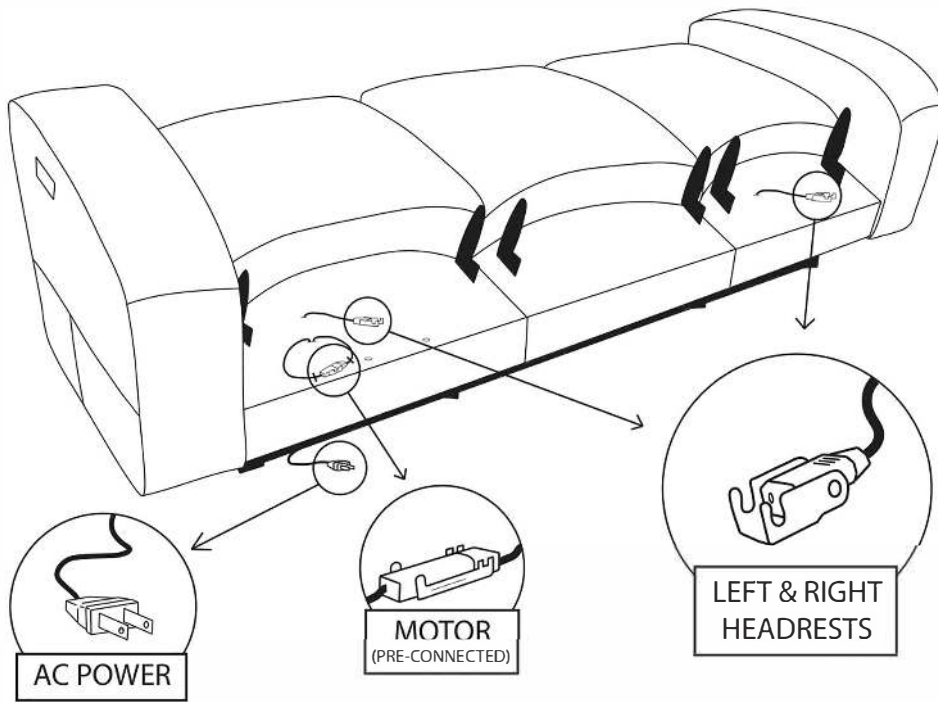
Step 1

x1

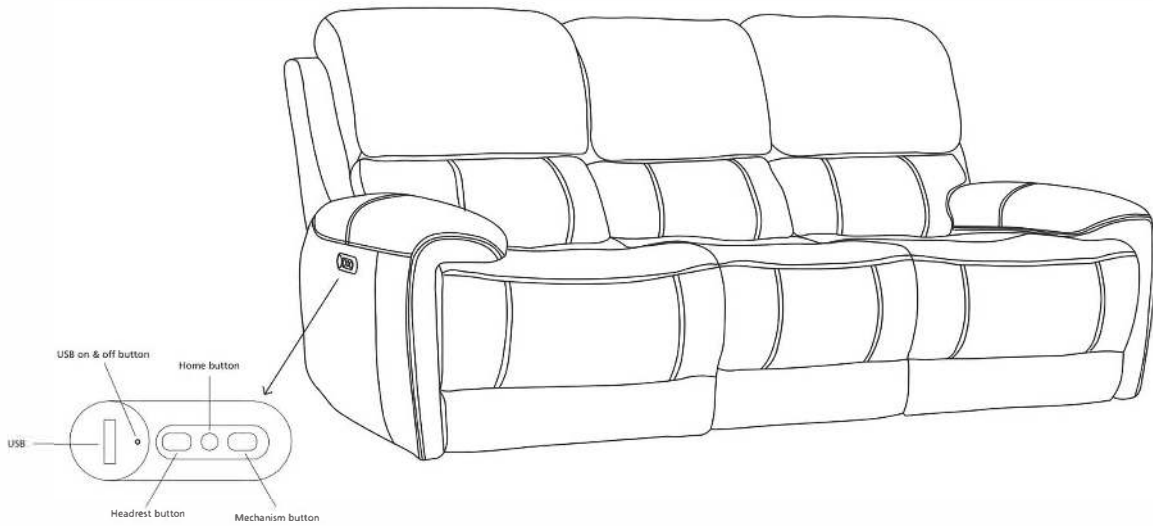


Step 2

Headrest connection



Step 3

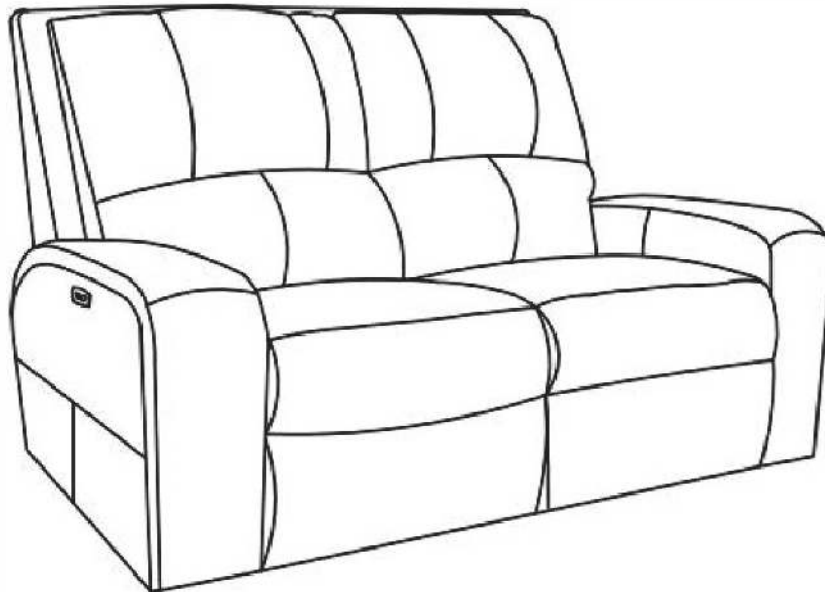


Step 4

ASSEMBLY INSTRUCTIONS

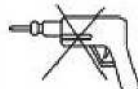
NOTICE DE MONTAGE

***Please keep these instructions and have the product model # and part #available when requesting a service.**



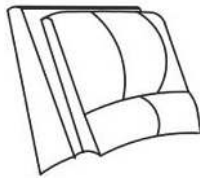
IMPORTANT NOTE

Do not use a power tool to assemble this product as it could damage the thread of the hardware and affect the solidity/durability of the product.

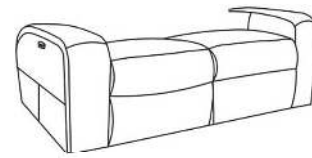


MADE IN VIET NAM

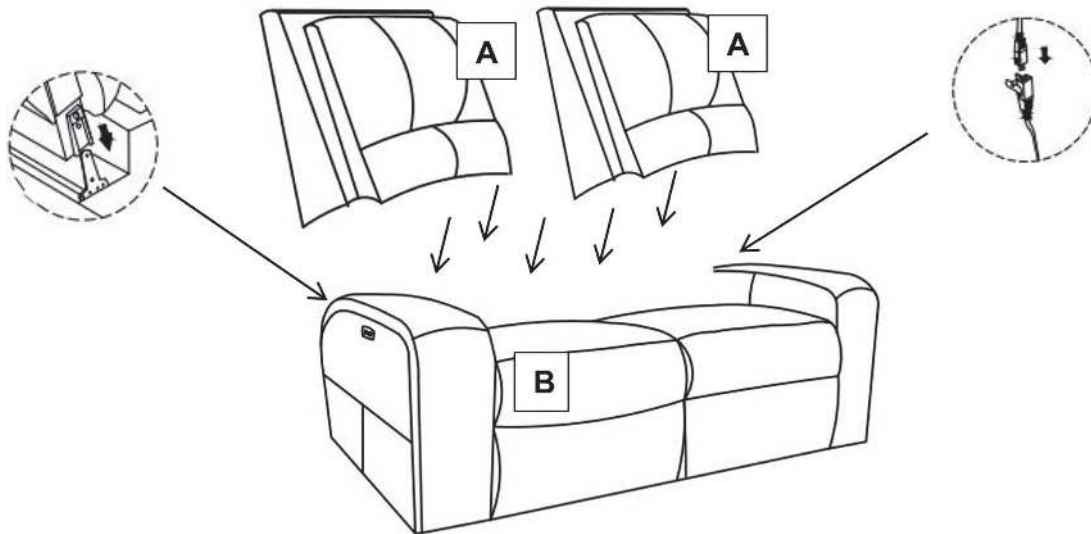
A x 2



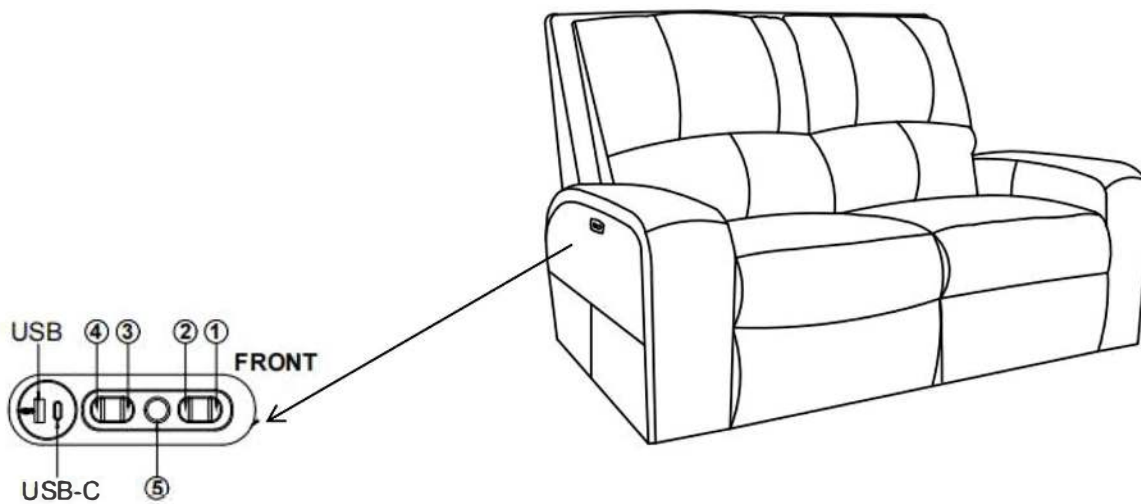
B x 1



STEP 1



STEP 2



1. Press button **1** Leg Rest Open.
2. Press button **2** Leg Rest Close.
3. Press button **3** Headrest Forward.
4. Press button **4** Headrest Back.
5. Home button **5** All Close.

MADE IN VIET NAM