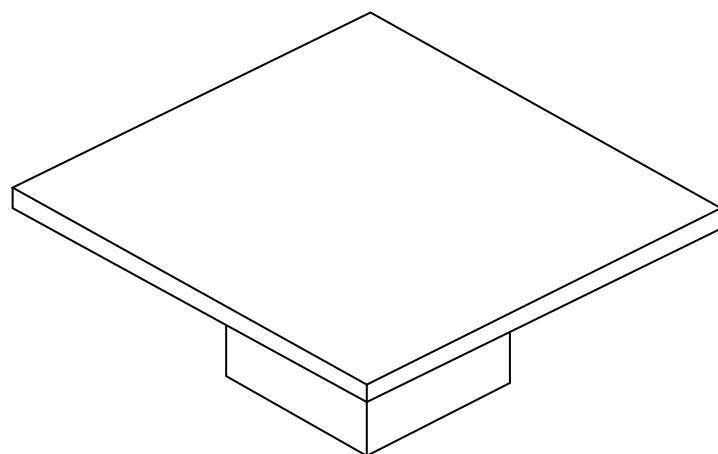
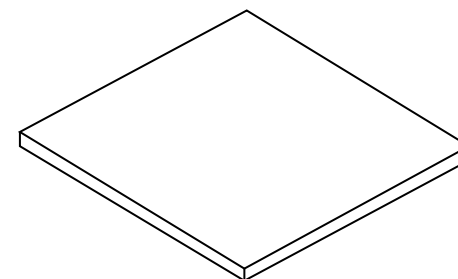


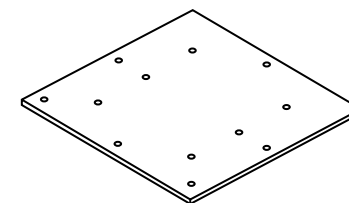
PARTS



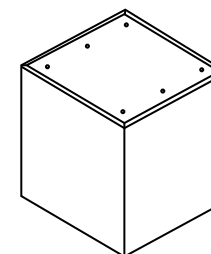
① x 1



② x 1



③ x 1



HARDWARE



M6 X 30

Ⓐ x 6



M8 X 35

Ⓑ x 8



Ø13 X 01 x 07

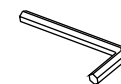
Ⓒ x 6



Ø17 X 08 x 02

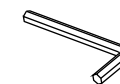
Ⓓ x 8

TOOL



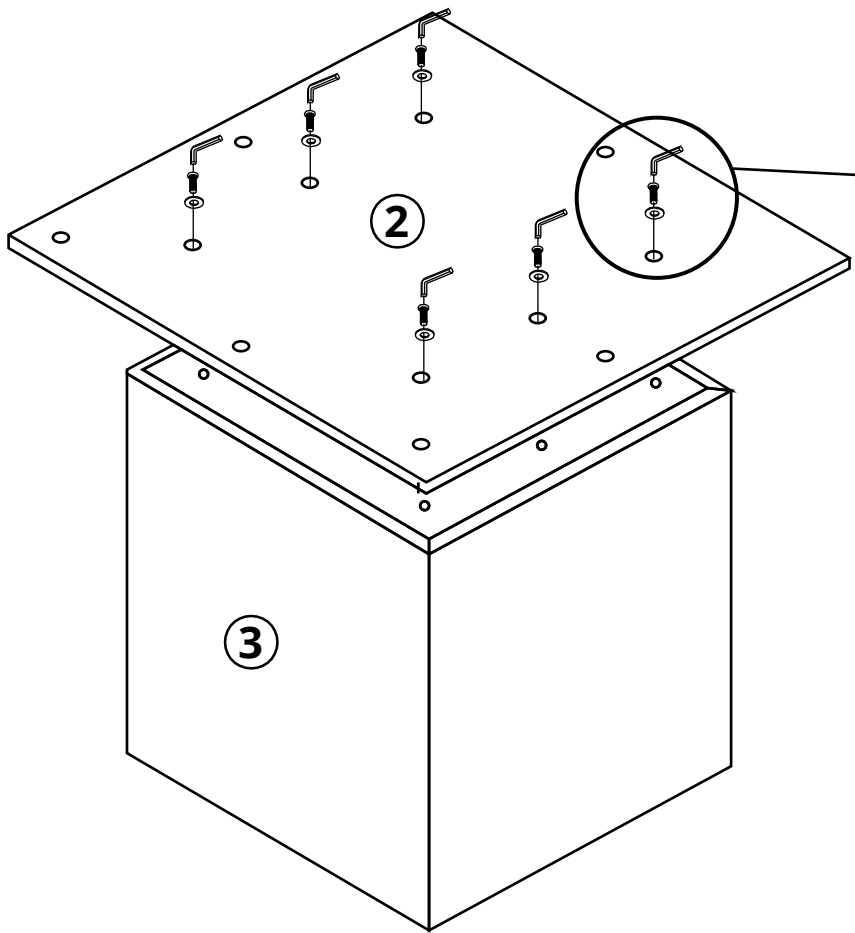
4 mm

Ⓔ x 1

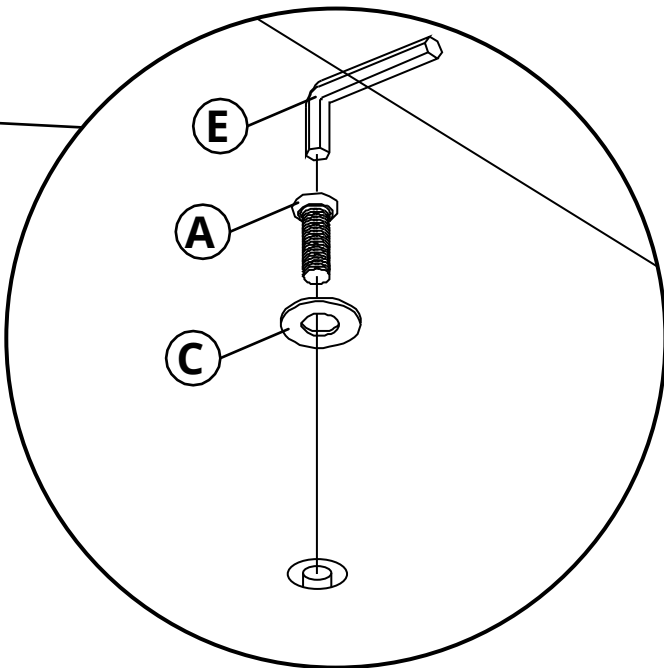


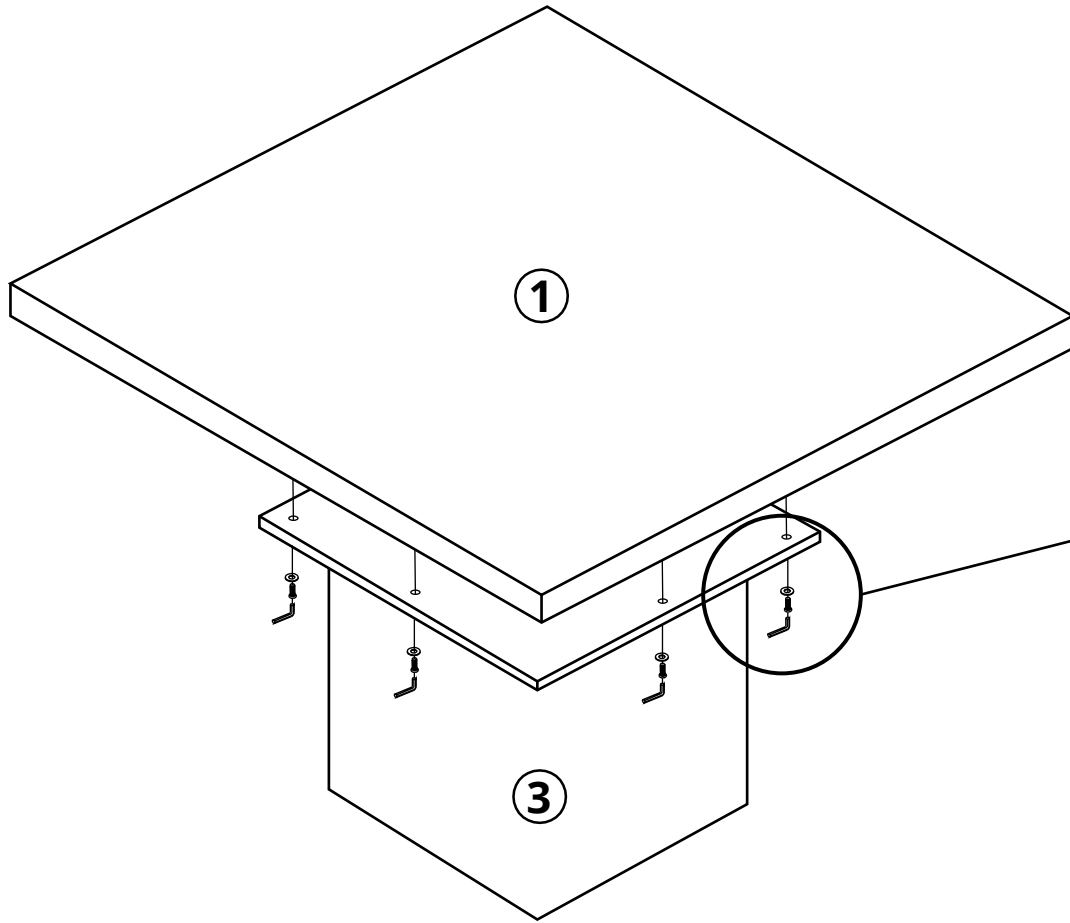
6 mm

Ⓕ x 1



STEP 1





STEP 2

