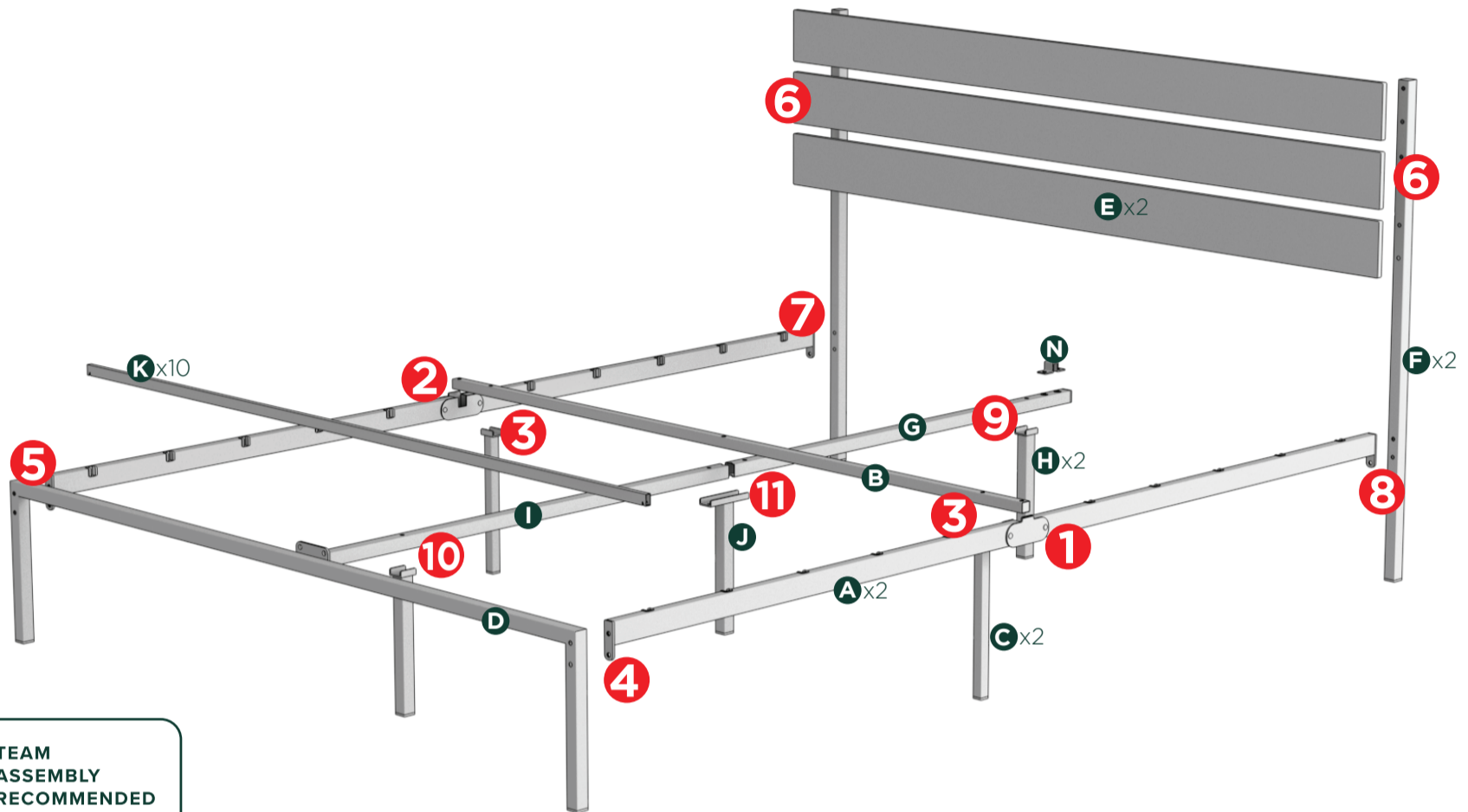
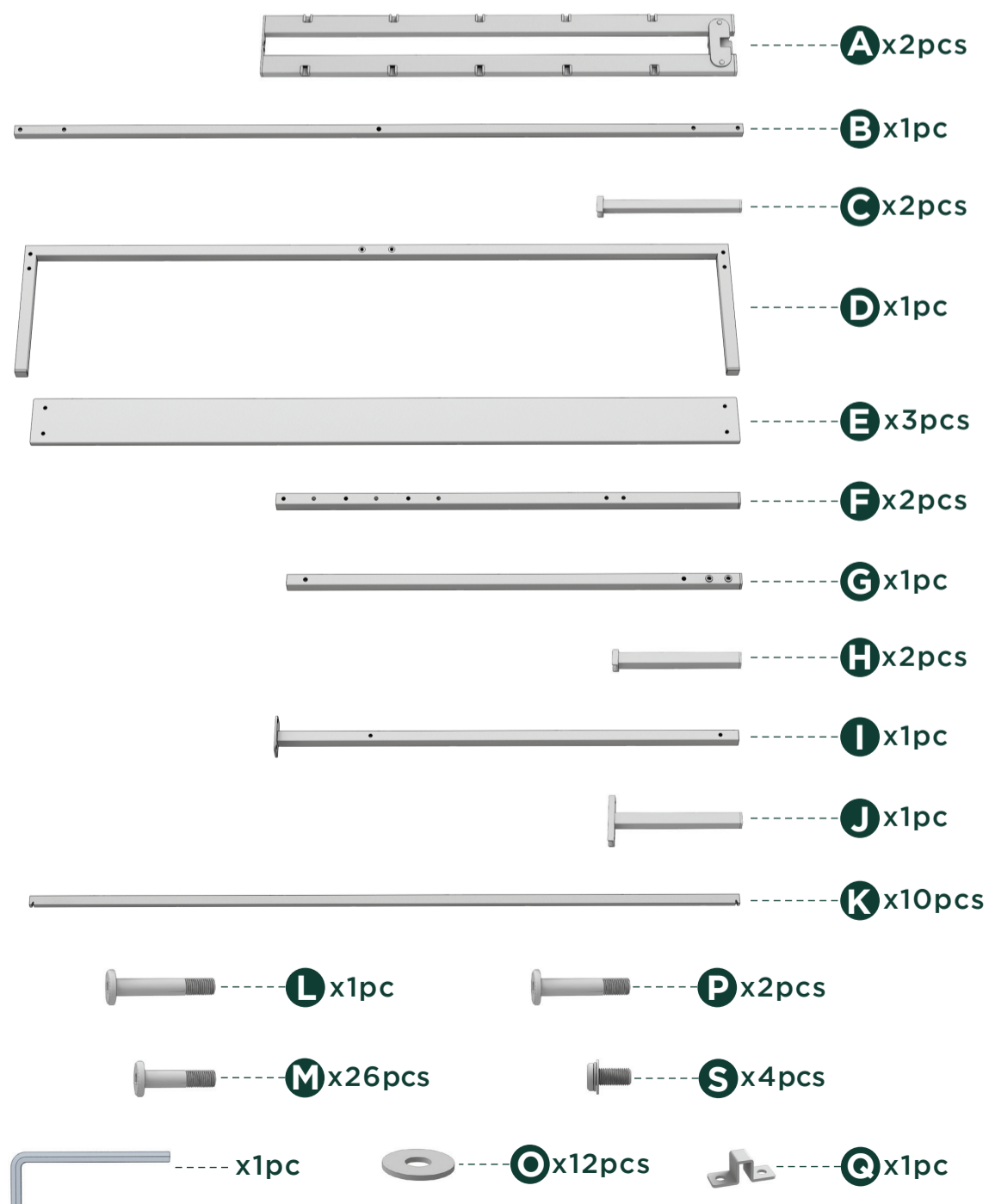


Easy as 1-2-3 Assembly Instruction

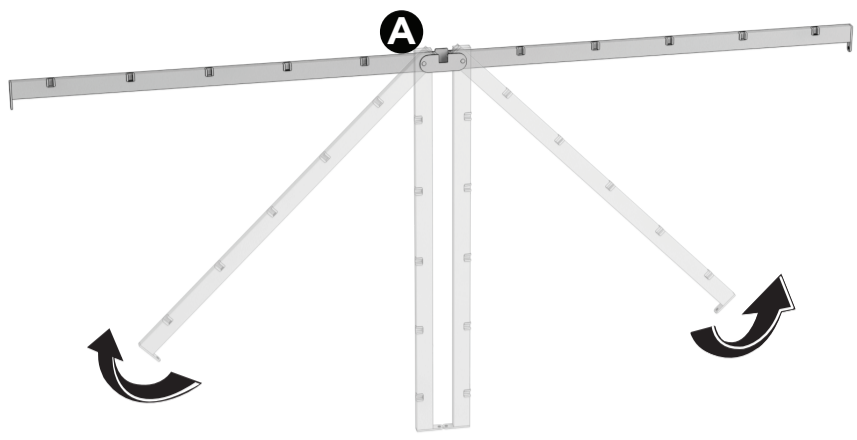
Numbers must Match for Secure Assembly



Components

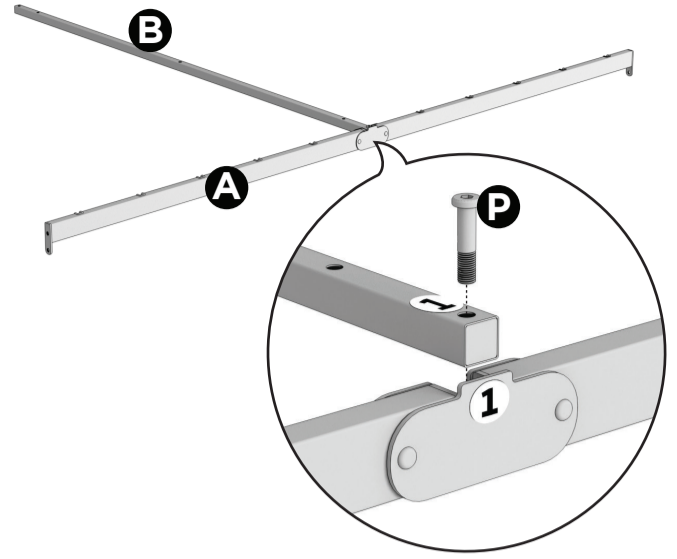


1

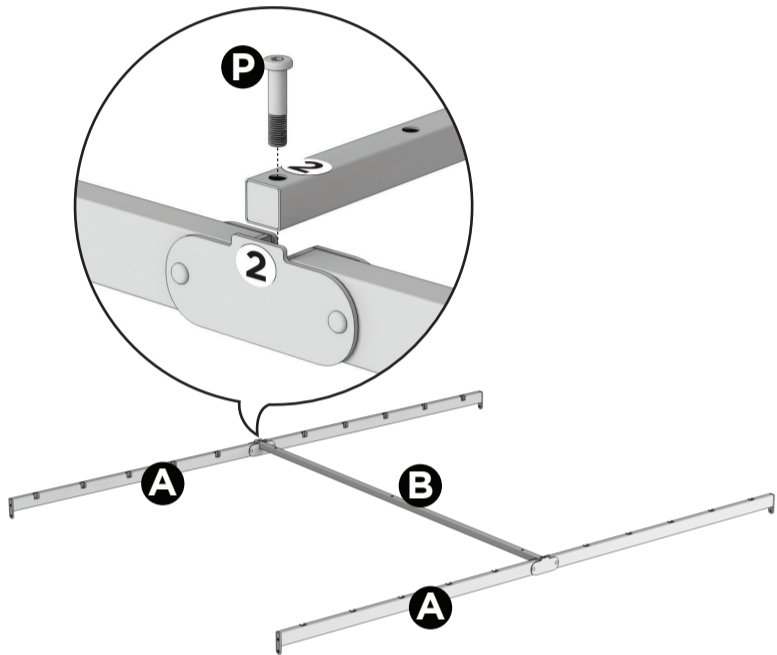


x2

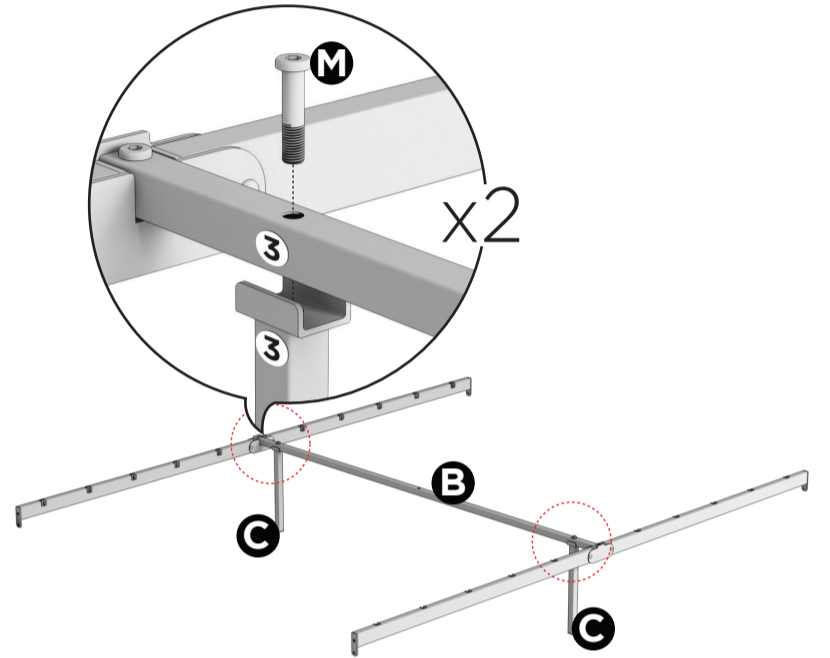
2



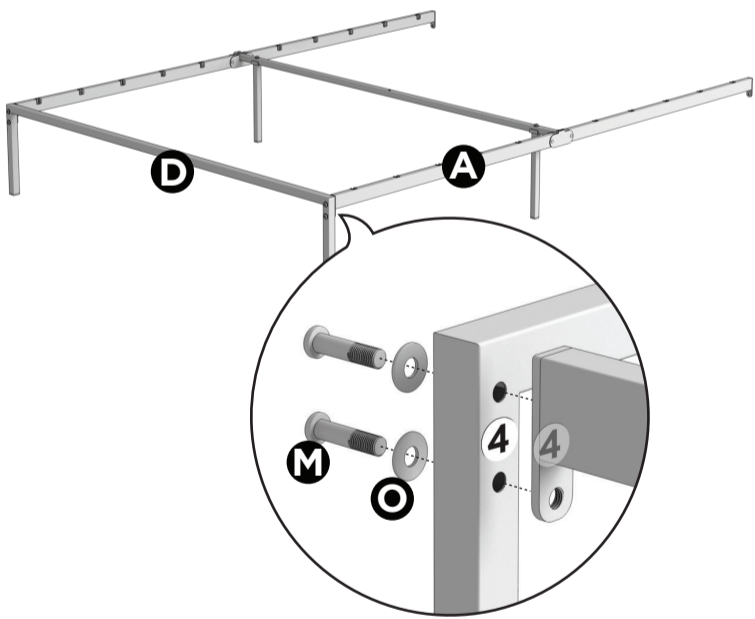
3



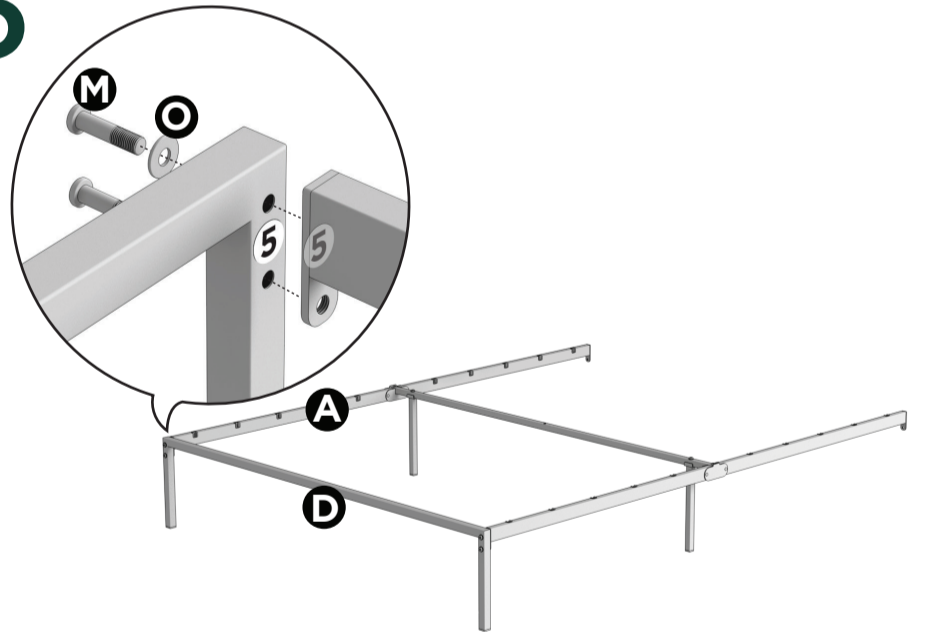
4



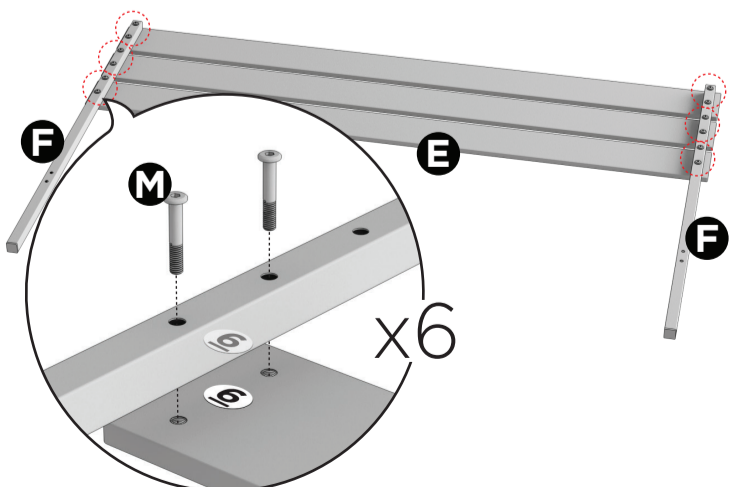
5



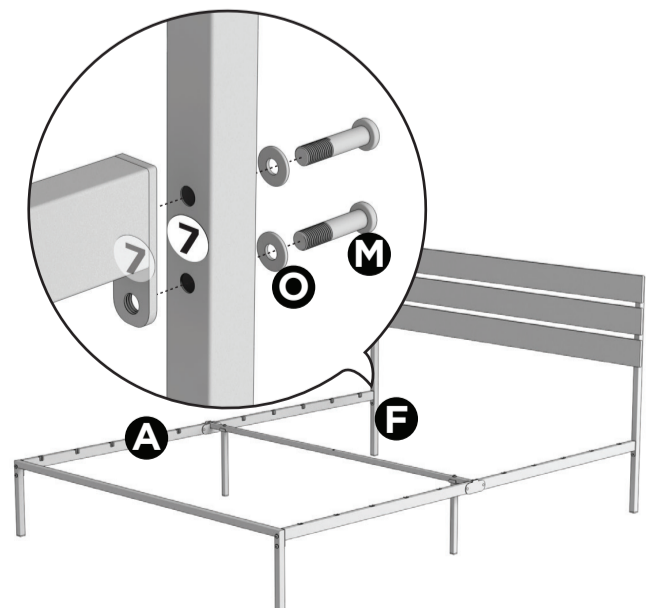
6



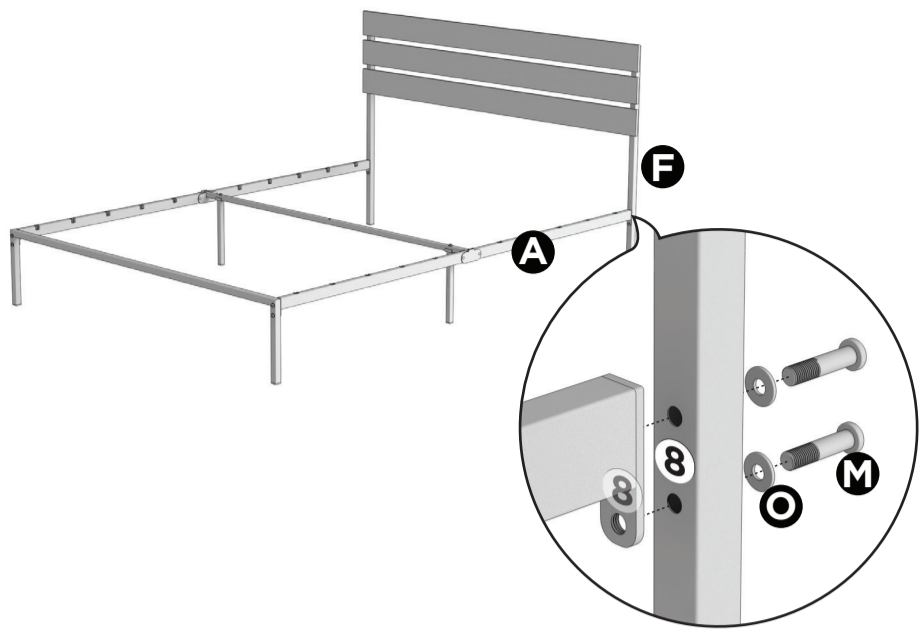
7



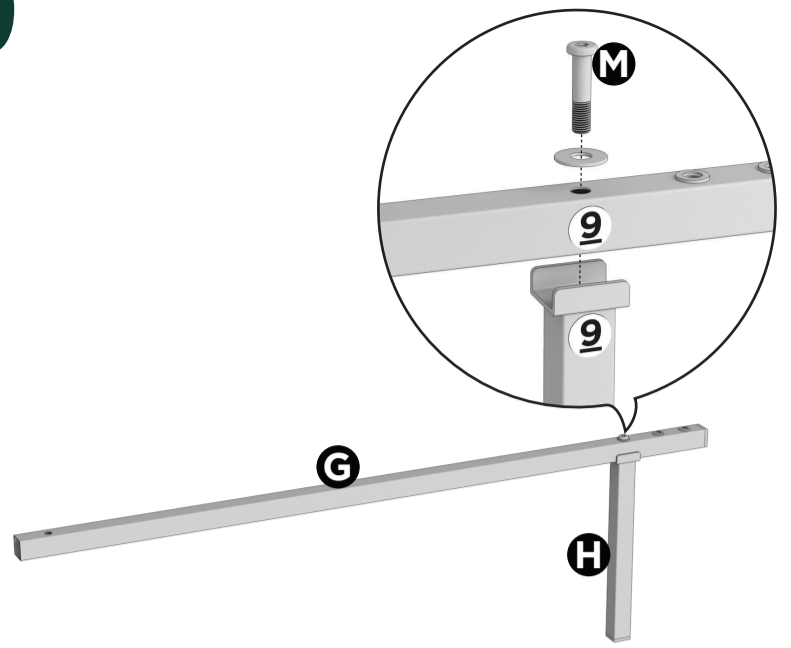
8



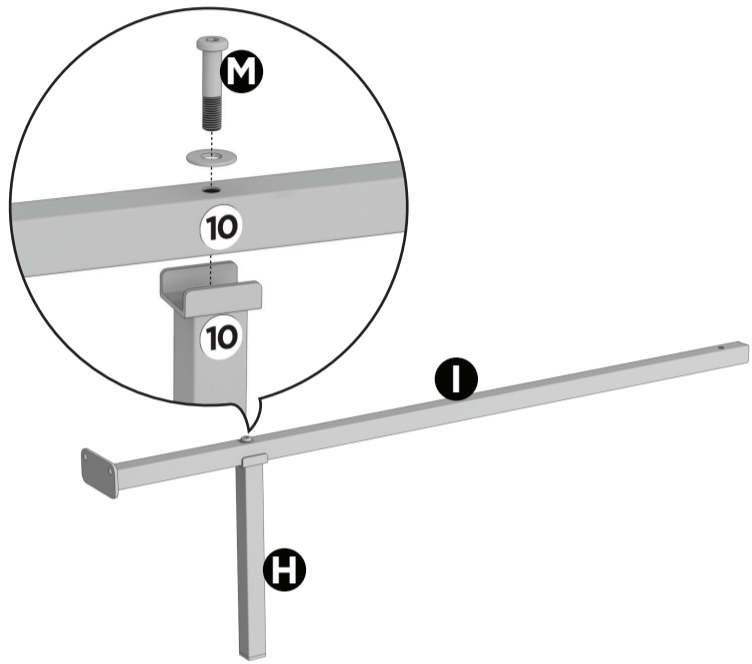
9



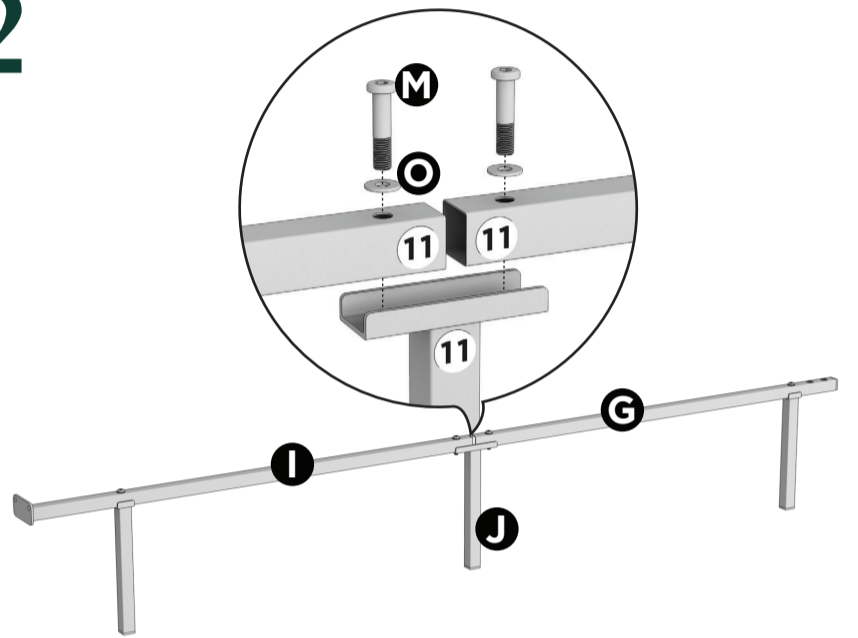
10



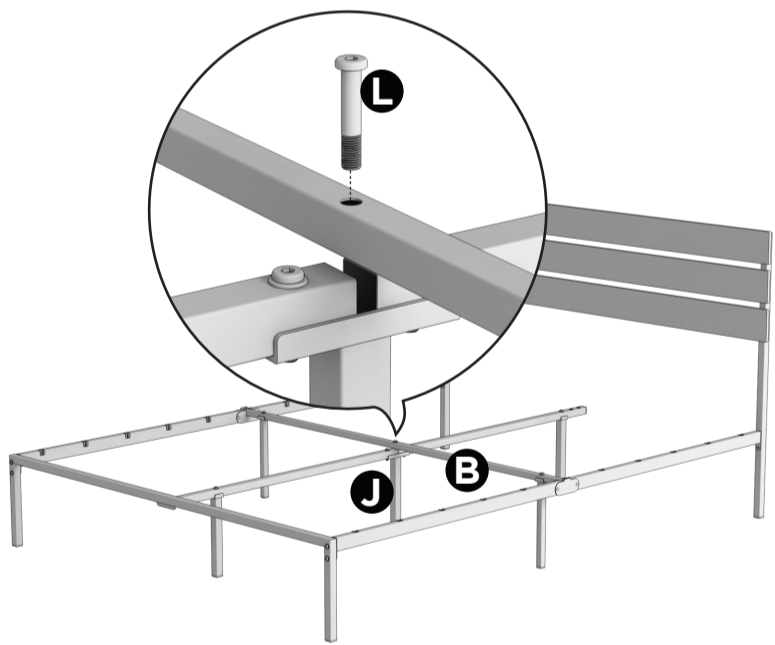
11



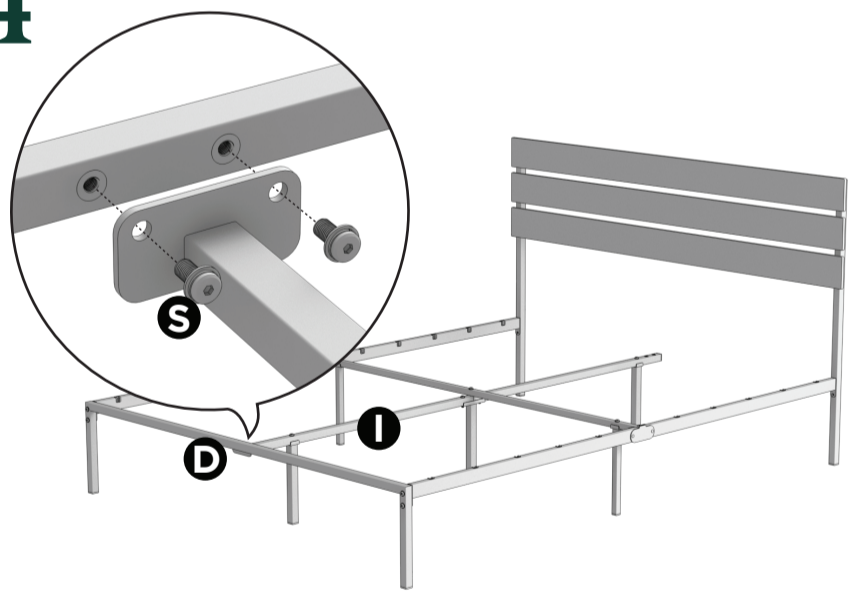
12



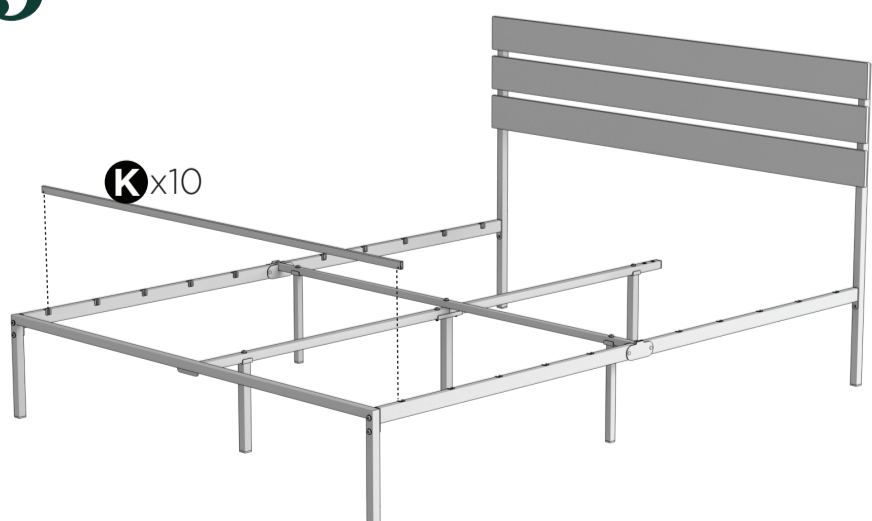
13



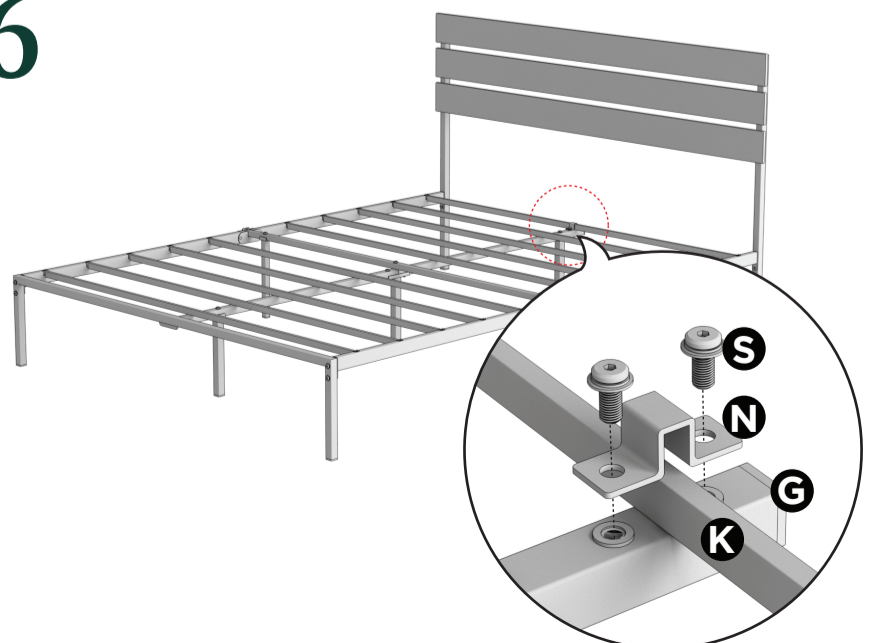
14



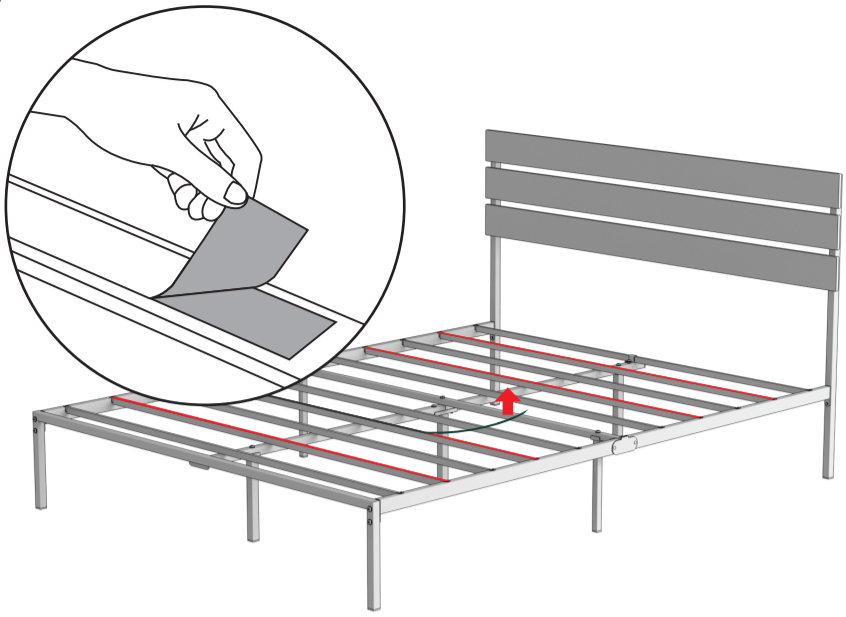
15



16



17



18

