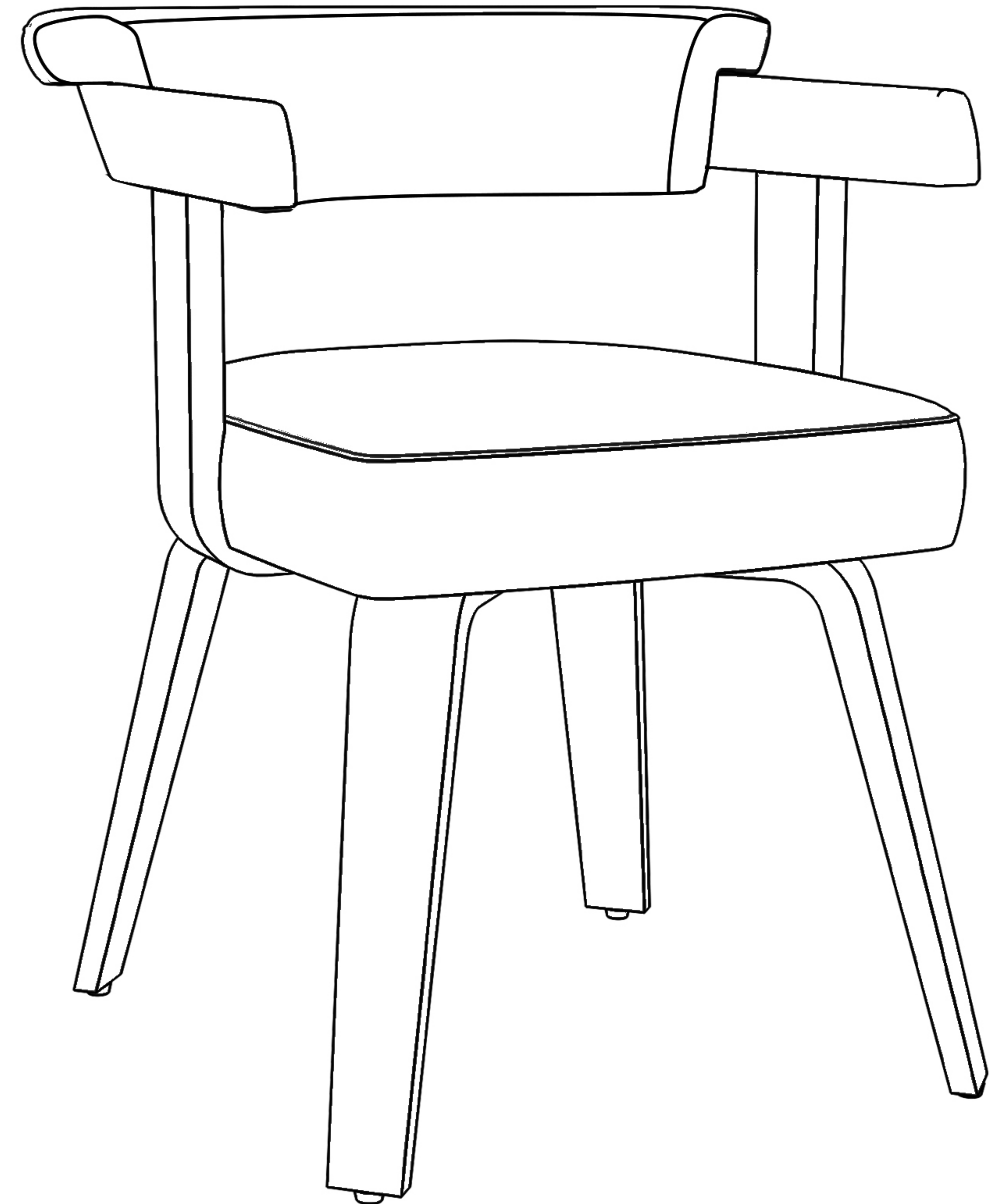


ASSEMBLY INSTRUCTIONS



SWIVEL CHAIR

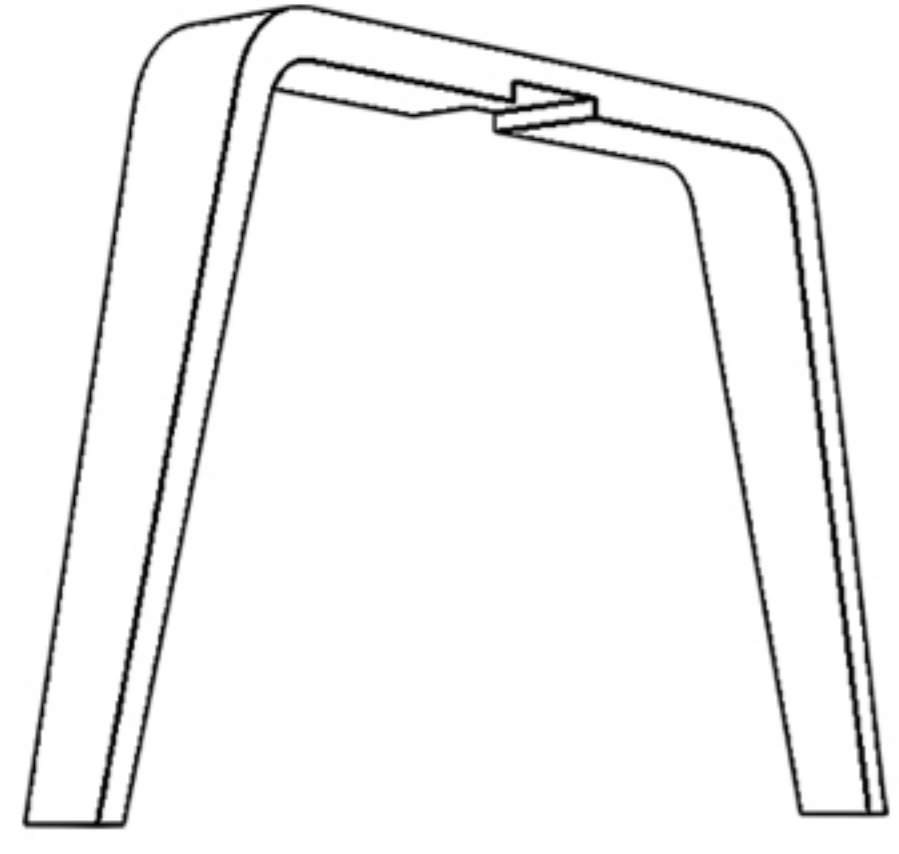
Art
Leon®

www.artleon.com

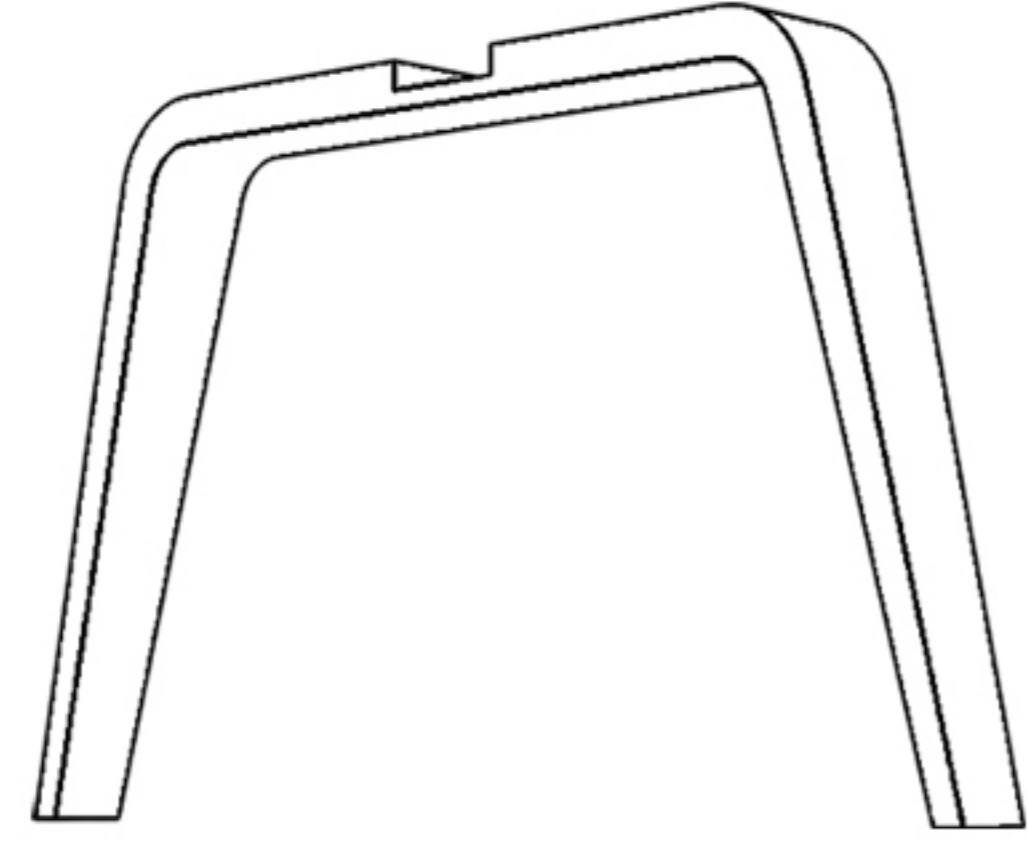
Email: hello@artleon.com

16000 Phoebe Avenue LaMirada, CA 90638

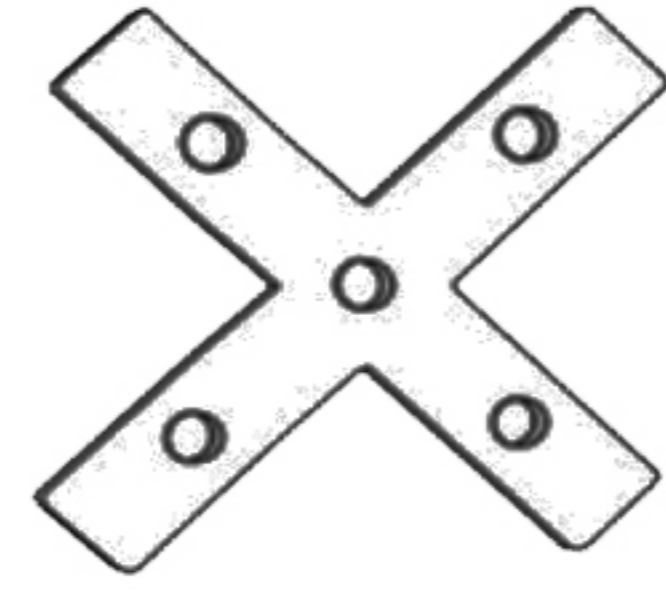
PARTS



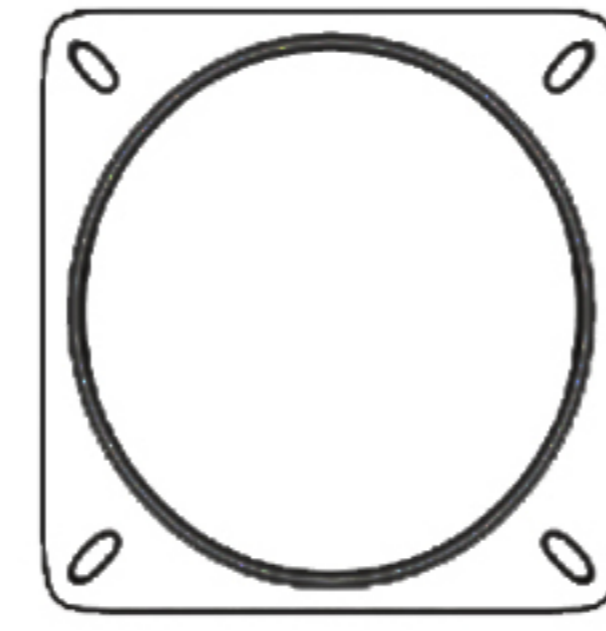
Ax1



Bx1



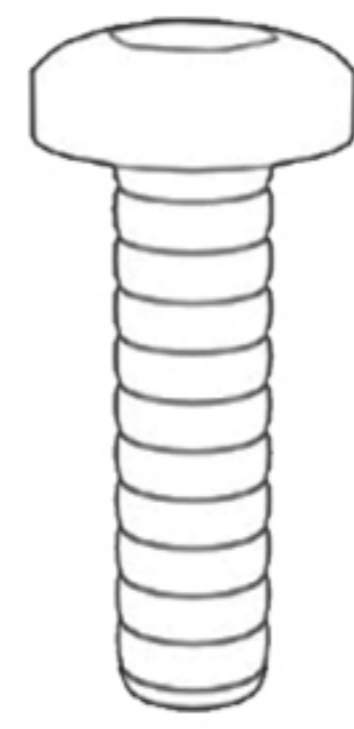
Cx1



Dx1

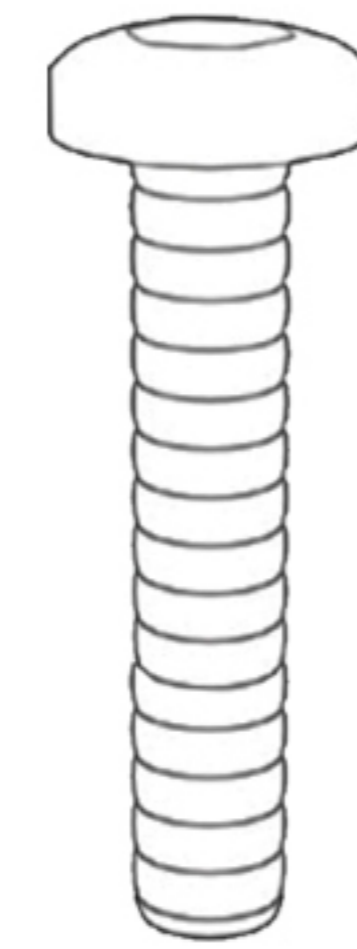


Ex1



M6x30mm

Fx9+1Ext



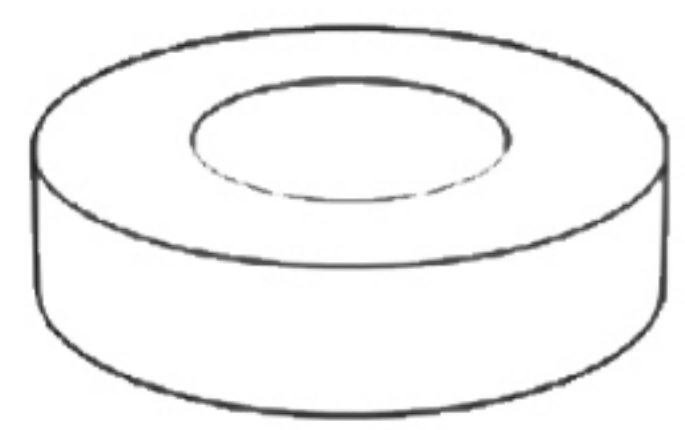
M6x50mm

Gx4+1Ext



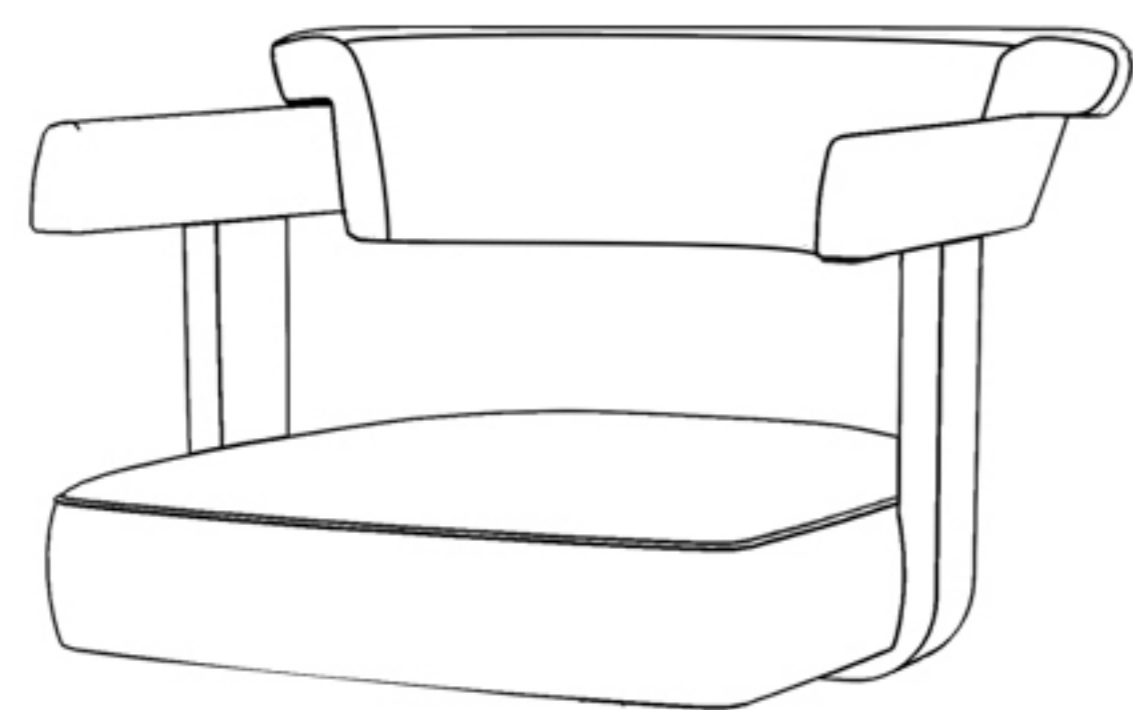
foot pin

Hx4+1Ext

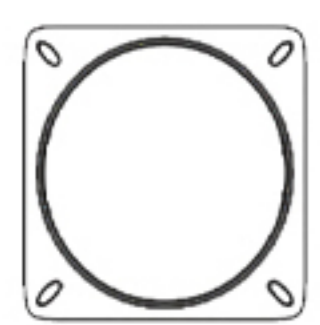


5mm thickness
rubber washer

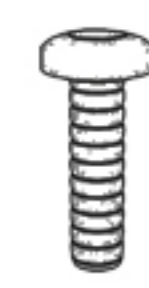
Ix2+1Ext



Jx1

2

Dx1

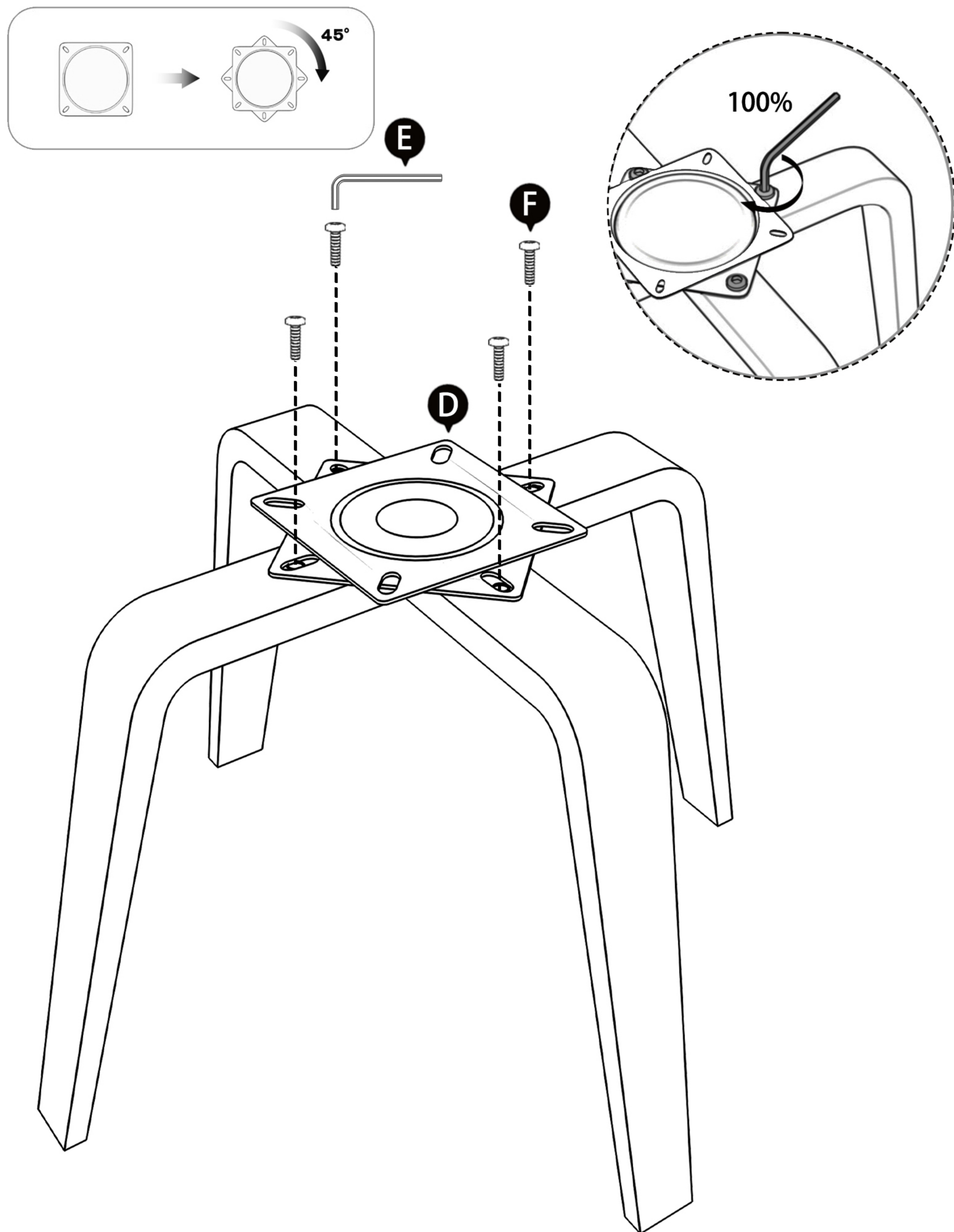


Fx4



Ex1

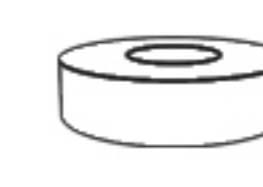
First, rotate D by 45 degrees, then place it on the AB chair legs. Next, insert four F screws and tighten them to D and the chair legs to 100%.

**3**

Gx4



Ex1

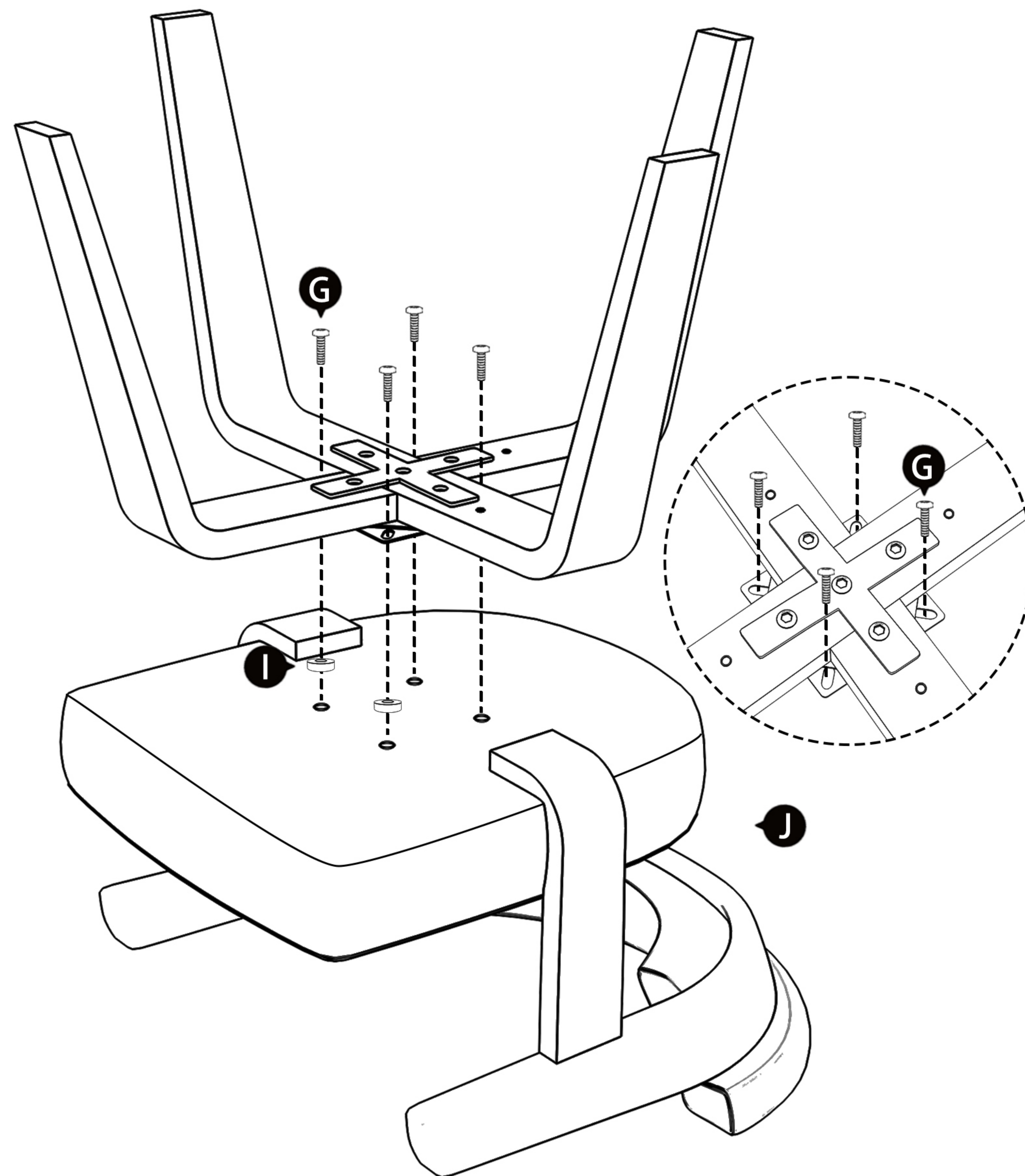


Ix2



Jx1

Connect Step 2 to J, place I on the two screw holes in front of J. Then pass the four G through Step 2 and I, and fasten F to 50%. Finally, tighten it to 100%.

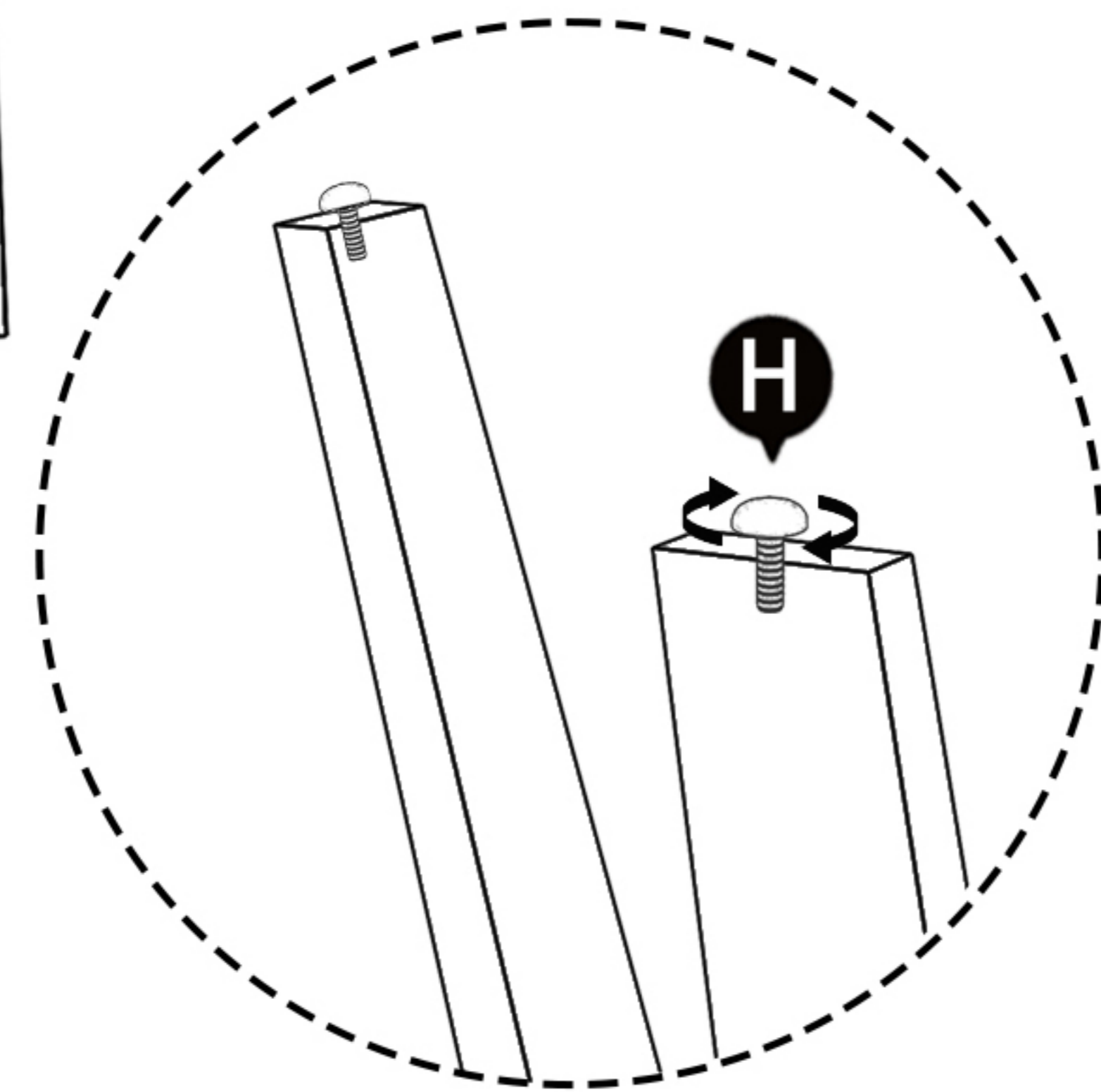
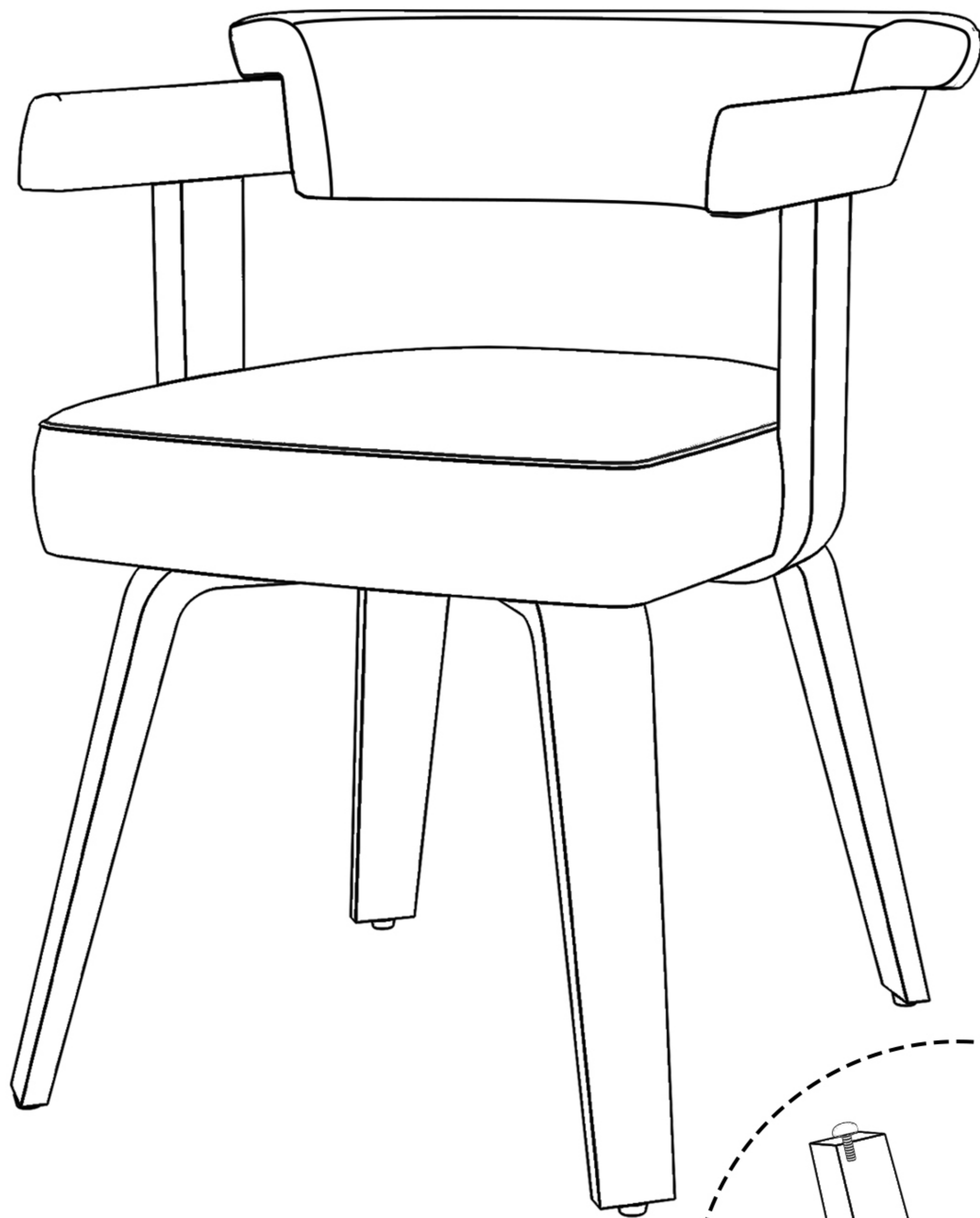


4



Hx4

Adjust the chair balance by twisting the H screw.



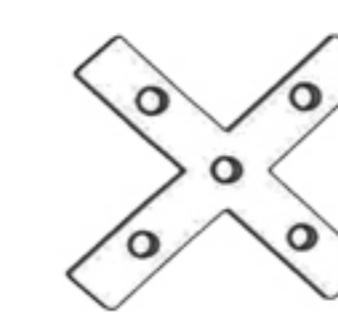
1



Ax1



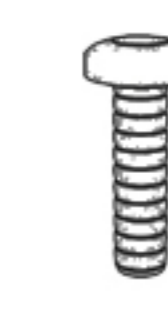
Bx1



Cx1



Ex1



Fx5

First place A at the center of B, then place C at the center of AB. Next, insert the five F screws through C into the AB holes and tighten to 50%, and finally tighten to 100%.

