

WARRANTY

We strive to offer high-quality product and we also try our best to satisfy each customer that orders from us with product or service as needed.

Each customer a record of their order such as the order number ,or item receipt for any items that are out of the warranty period you may also still receive replacement parts by purchasing them with our company if they are available.

**Are you having difficulty
with assembly? Missing parts?**

Please contact us : info@firstopintl.com

telephone No.:5627813327

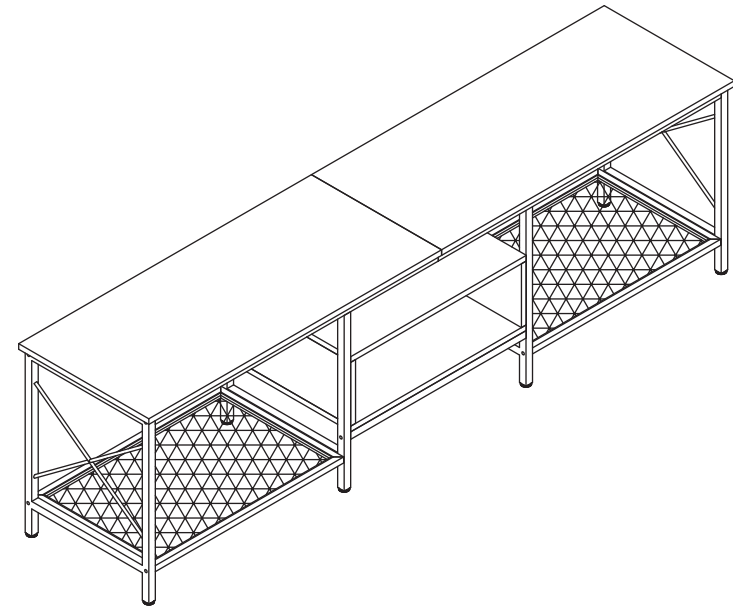
send an email with your order No. to us

**For return, please check the return policy with
the retailer or market place you bought from.**

Appreciate your purchasing from us.

Pop up your life by our furniture !

wixe



**ITEM NO. TV STAND-01
TV STAND-02**

NOTE:

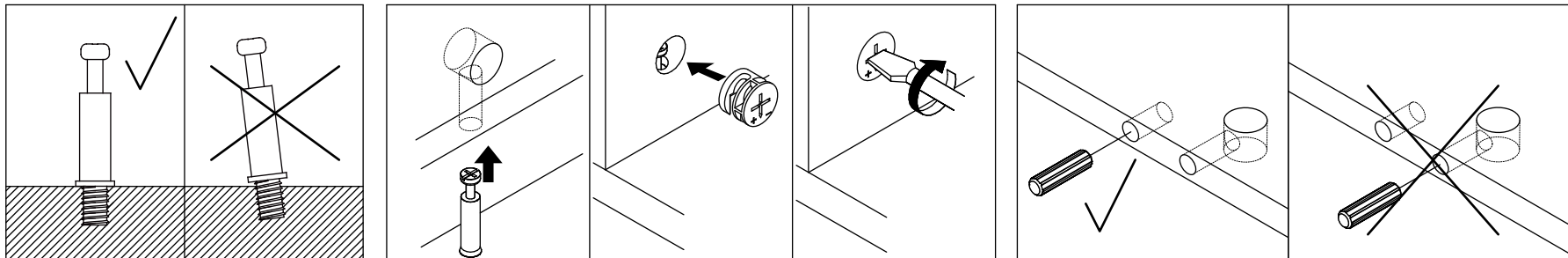
This brochure contains IMPORTANT safety info. Please read and keep for future reference.

ATTENTION

- 1. A person who is proficient in assembly can work alone, if not, please ask someone to cooperate with this job.
- 2. When assembling the parts, please follow the orders, methods and positions of the assembly instruction.

If meeting any difficulties, please check with the instruction carefully first.

- 3. It will take about 3 hours to complete the assembly for those who are new in this field.
- 4. When assembling, at least six- square- meter space is requested.
- 5. Pay attention to the below instructions for componets assembly.
- 6. Any problems during the assembly, please contact us with email info@firstopintl.com or telephone us by 5627813327.



MAINTAINANCE AND WARNING

- Keep furniture away from heat and fire.
- Keep furniture away from sharp objects.
- Do not clean furniture with harsh cleansers or polish. Do not use detergents, Solvents, abrasives, spray packs or leather cleaner. Use non-color mild soap with warm water clean spills(Mix 1:10 soap to water)
- Do not place furniture under direct sunlight, material will possibly fade over time.
- Do not jump or strike on the furniture.
- Do not write on furniture without a padded barrier to protect the surface.
- Not for commercial use, For residential use only.

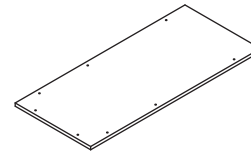


Weight Limitation

400LBS

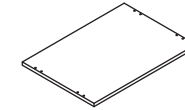
PARTS LIST

① X2



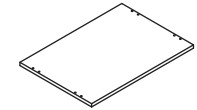
Top panel

② X1



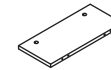
Middle panel

③ X1



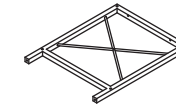
Middle bottom panel

④ X2



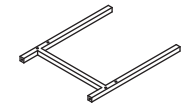
Middle side panel

⑤ X2



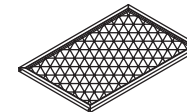
Side frame

⑥ X2



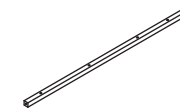
Middle frame

⑦ X2



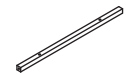
Net plate

⑧ X4



Long square tube

⑨ X2



Short square tube

⑩ X2



Connecting rod

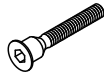
HARDWARE and TOOL LIST

A X16



**M6 X 30mm
Screw**

B X4



**M6 X 35mm
Screw**

C X8



**M6 X 12mm
Screw**

D X4



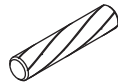
Bolt

E X4



Eccentric

F X8



Wood dowel

G X4



**M5 X 40mm
Screw**

H X20



**M4 X 32mm
Screw**

I X8



Adjustable leg pad

U X1



Allen key

SPARE

A X2



**M6 X 30mm
Screw**

B X1



**M6 X 35mm
Screw**

C X1



**M6 X 12mm
Screw**

D X1



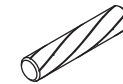
Bolt

E X1



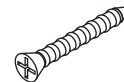
Eccentric

F X1



Wood dowel

G X1



**M5 X 40mm
Screw**

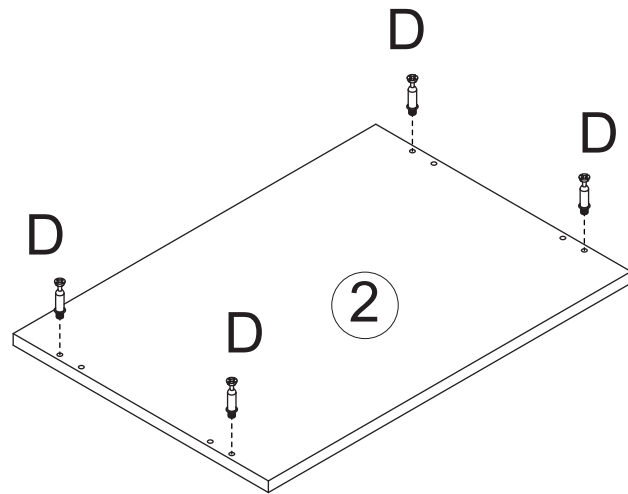
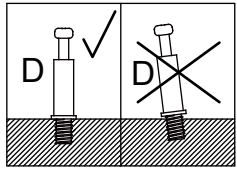
H X2



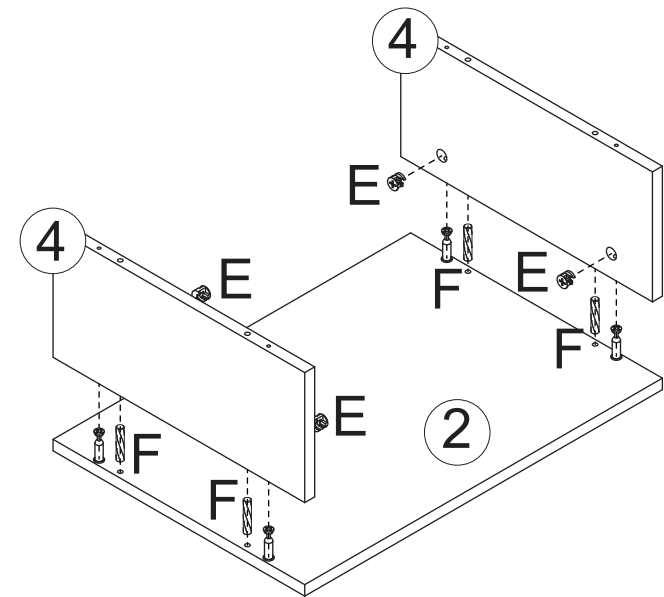
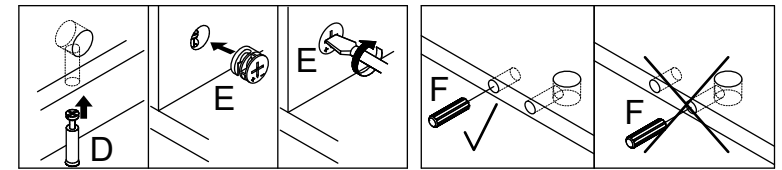
**M4 X 32mm
Screw**

Be sure to check all packing material fitting the packing list. Be careful for small parts, which may have come loose inside the carton during shipment.

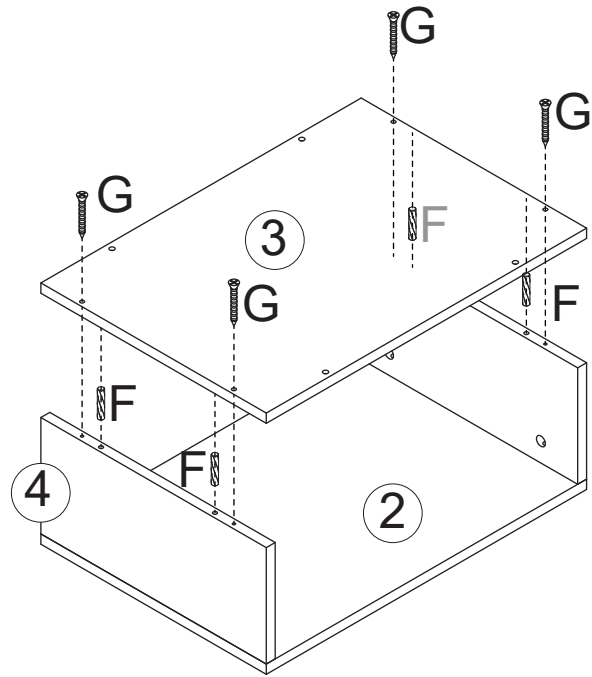
ASSEMBLY INSTRUCTIONS



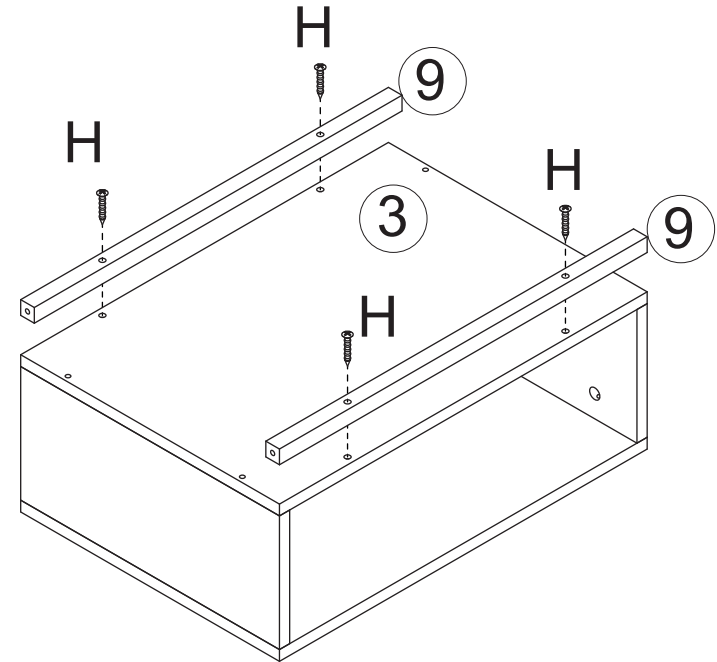
STEP 1 Insert bolts D into the settled holes on panel ② .



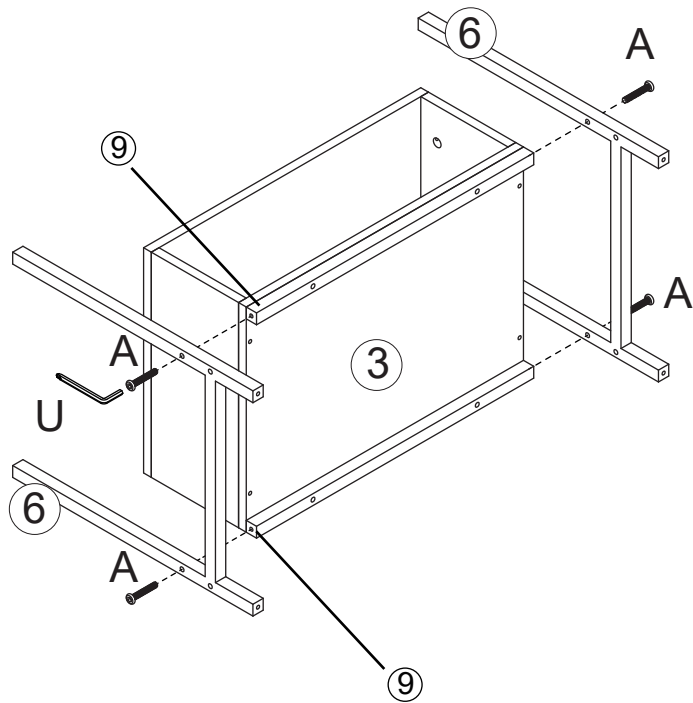
STEP 2 Connect panels ② and ④ with wood dowels F. Put eccentrics E into the holes of panel ④ , and tighten with screwdriver.



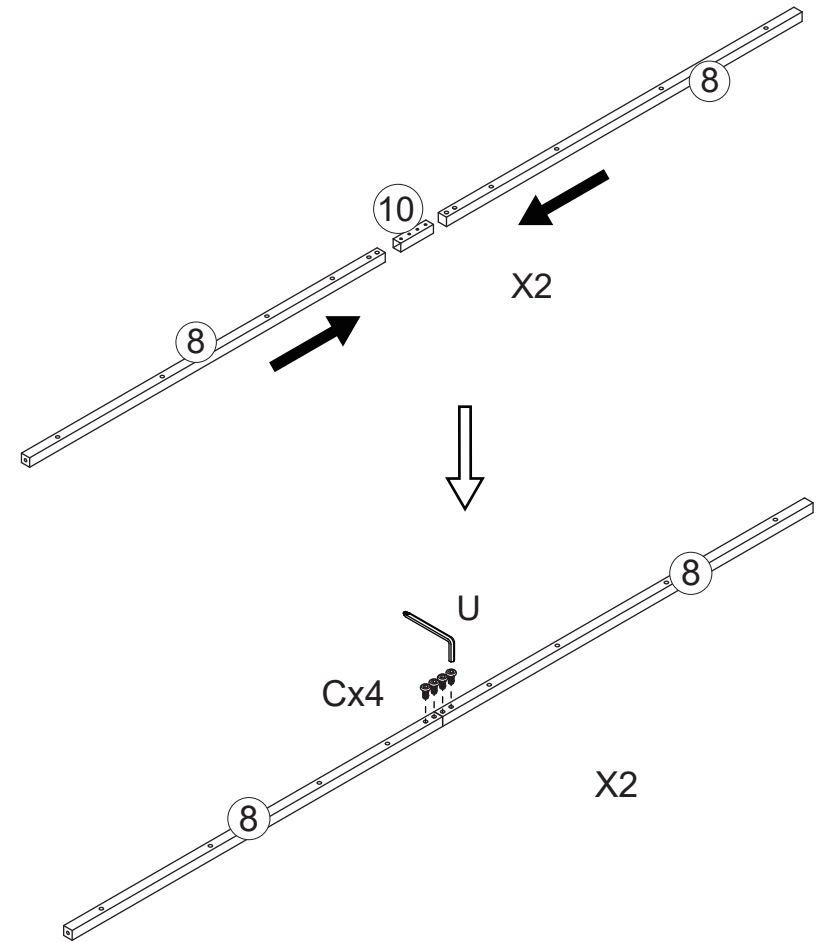
STEP 3 Connect panel ③ to the assembled part with wood dowels F as the above instruction, insert screws G through the settled holes on panel ③, tighten panel ③ and the assembled part.



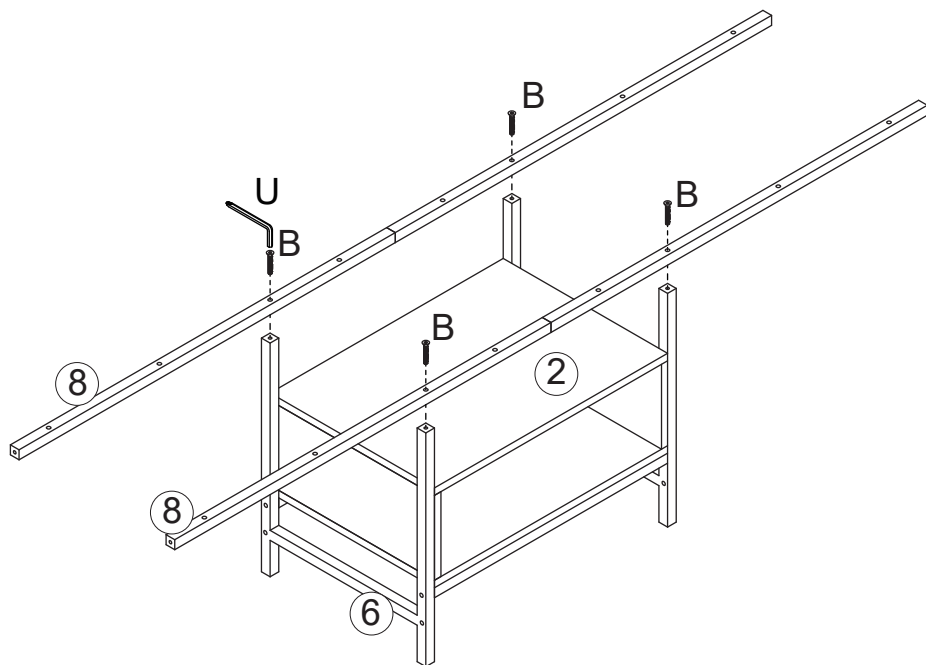
STEP 4 Do as the above instruction. Insert screws H through the square tubes ⑨ and the settled holes on panel ③, connect them together.



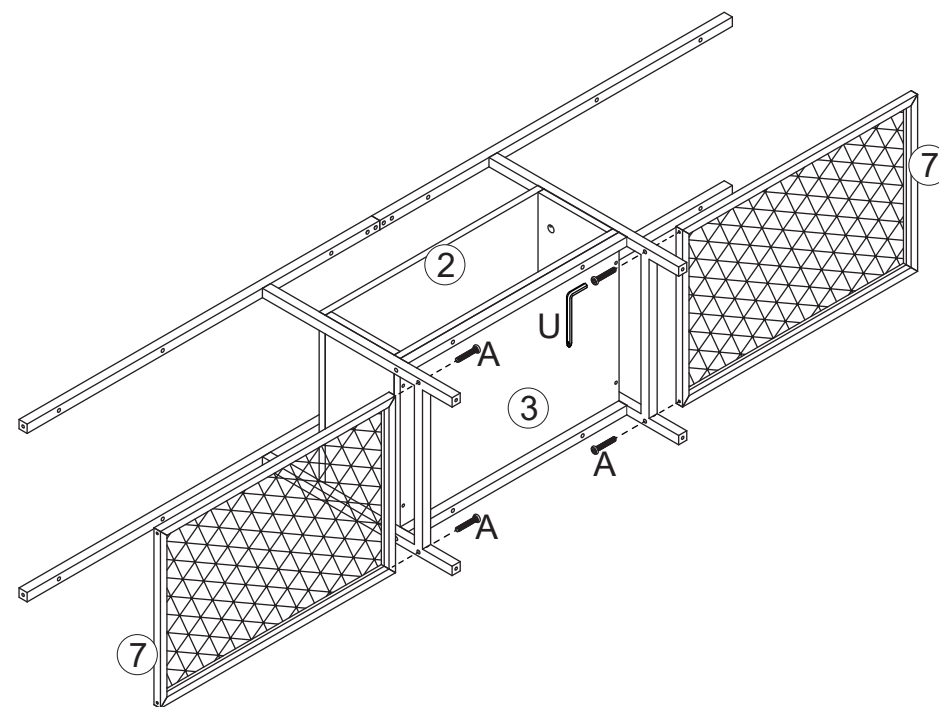
STEP 5 Turn the assembled part aside as above instruction. Insert screws A through the settled holes on square tubes ⑥ and ⑨, tighten part ⑥ and ⑨ together by allen key U.



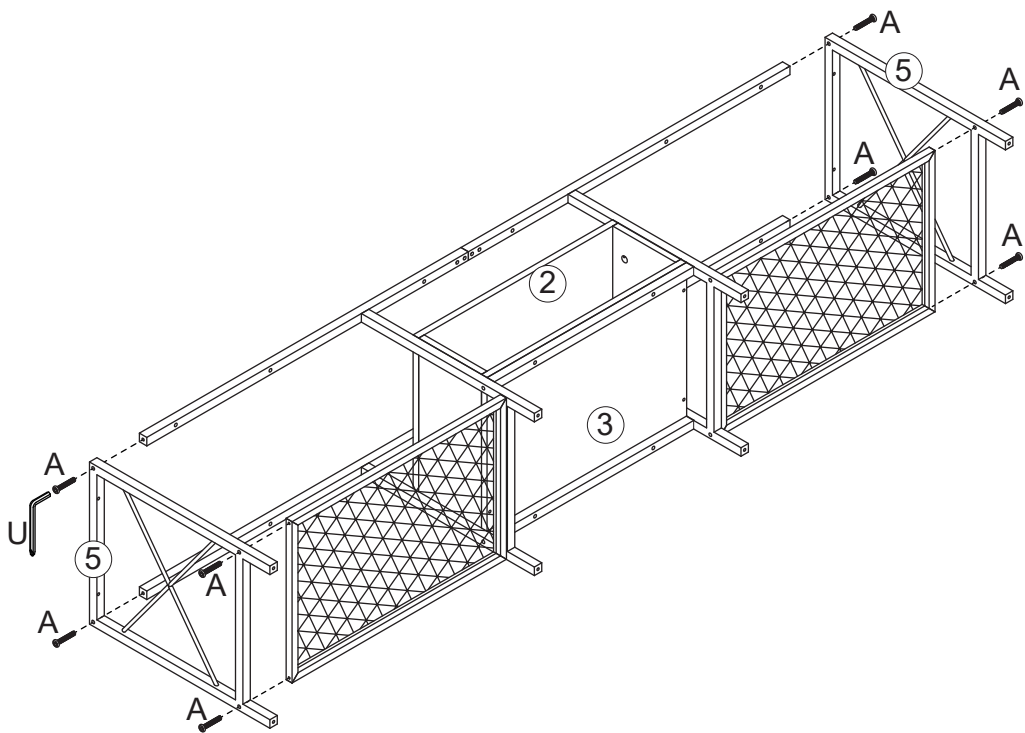
STEP 6 Do as the instruction. Connect the 2 pcs of square tubes ⑧ with the connecting rod ⑩. Align the settled holes on ⑧ and ⑩. Tighten the tubes with screws C and allen key U. Another tube-set connection will be done in the same way.



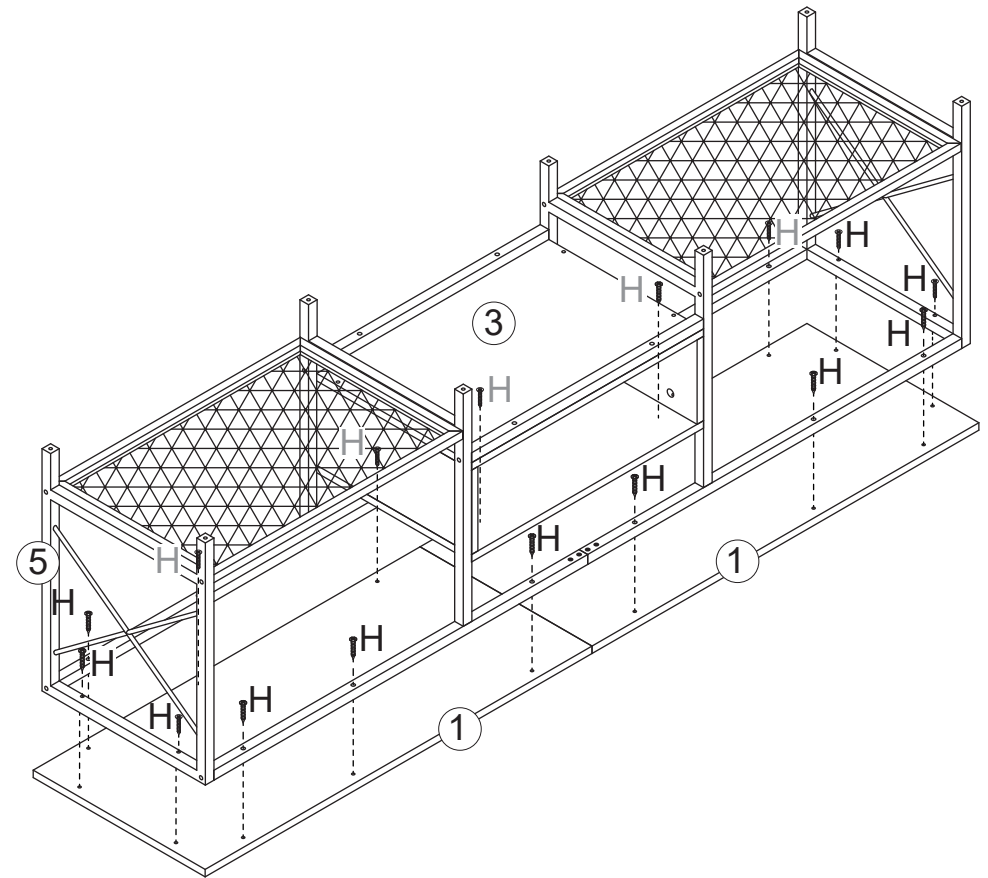
STEP 7 Turn the assembled part on step 5 upright. Connect this part to the assembled part on step 6 with screws B and allen key U according to the above instruction.



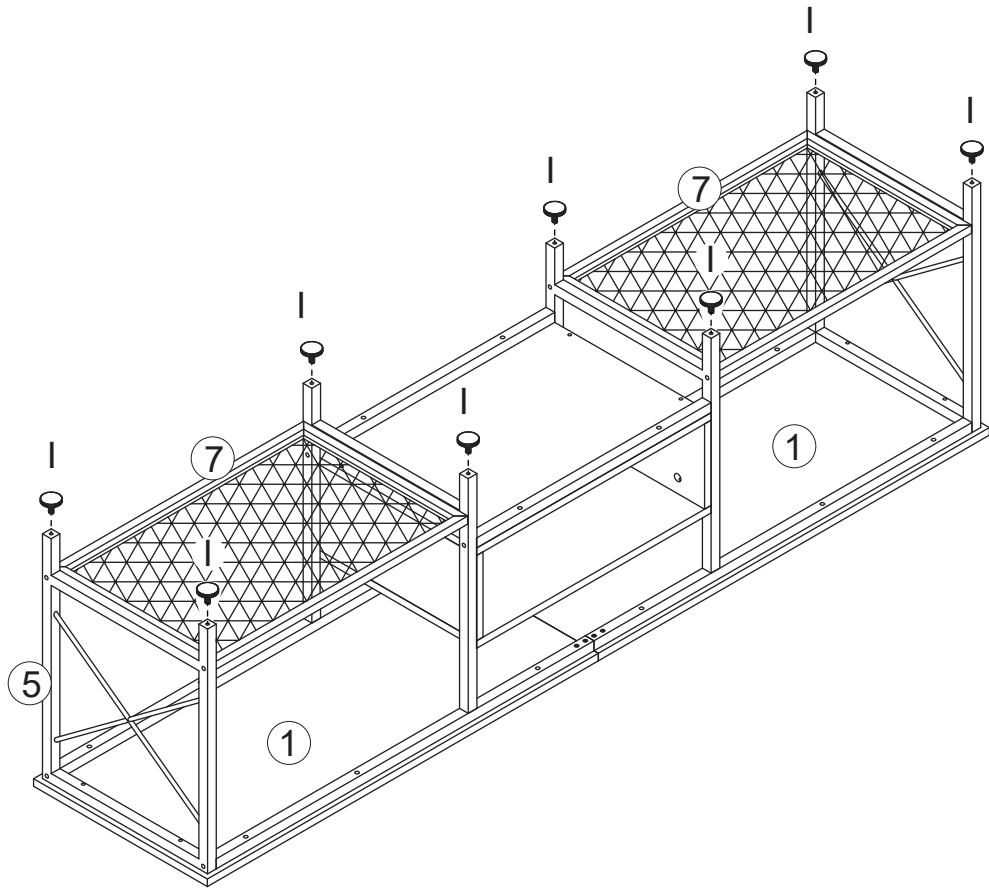
STEP 8 Turn the assembled part on last step aside as above instruction. Insert screws A through the settled holes on stand feet and frames ⑦, tighten them by allen key U.



STEP 9 Insert screws A through the settled holes on parts ⑤ and the assembled part on last step, tighten them by allen key U.



STEP 10 Turn the panel ① upside down and put it on clean padded surface (The side where there are settled holes is the bottom side). Turn the assembled part on last step upside down, put it on the back of panel ①. Align the settled holes on the assembled part and panel ①. Tighten them with screws H and allen key U as above instruction.



STEP 11 Install the adjustable leg pads I into the settled holes of feet on the stand bottom as instruction. Assembly is completed.