

ART *in* FURNITURE

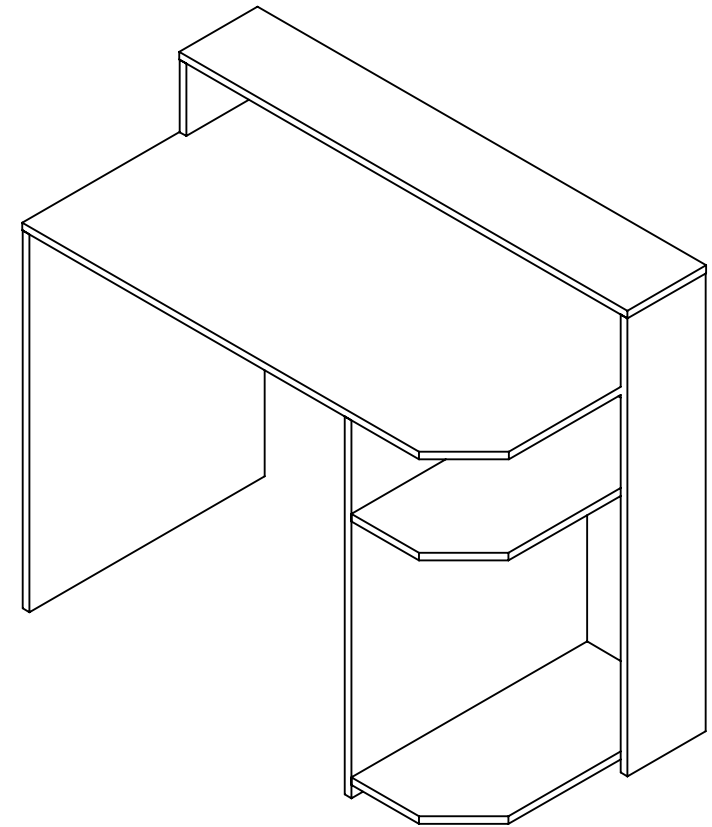
"Creative Solutions for Your Home"

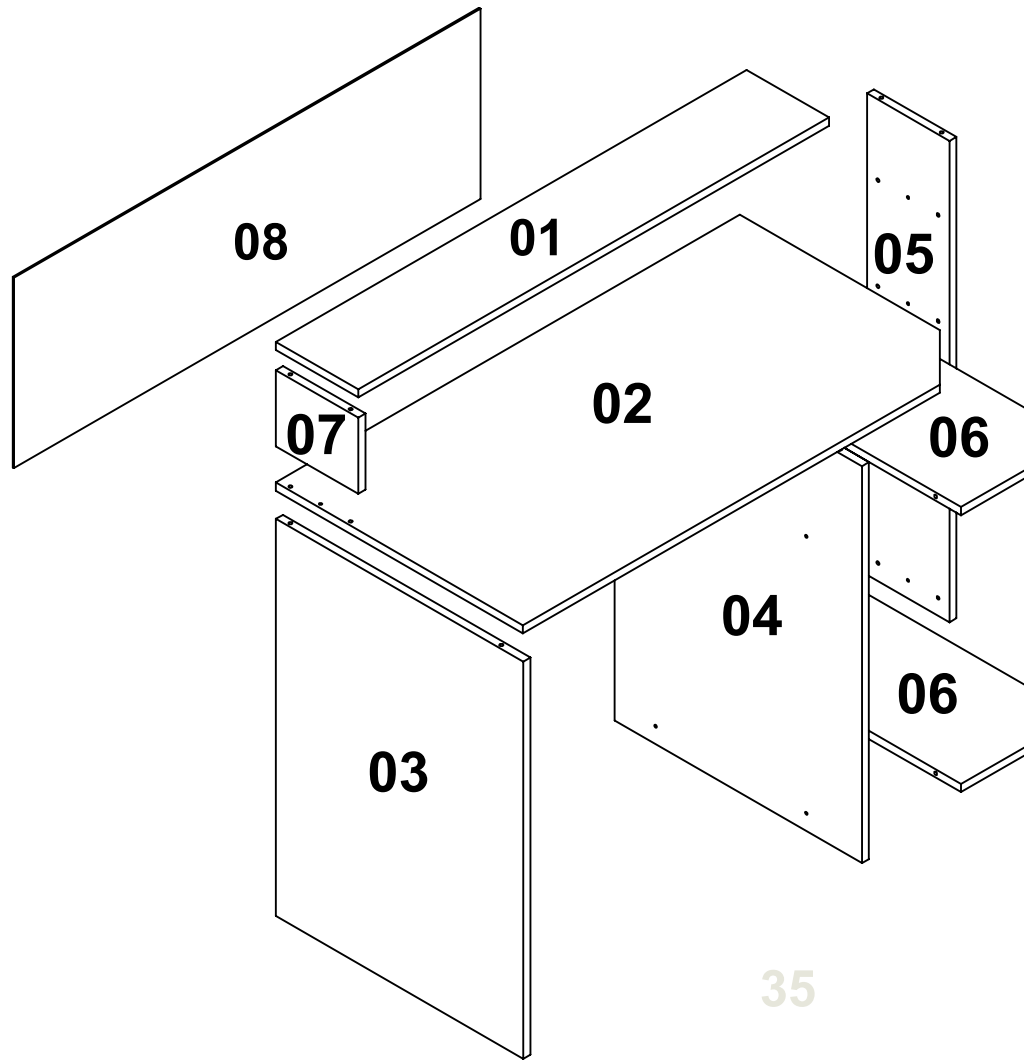


Thank you for choosing Art in Furniture!

We're thrilled to have you as a customer and to be part of your home.
Your trust means the world to us, and we hope you'll think of us for future home furnishing needs.
Your feedback is incredibly valuable as we continue to design products that bring your dreams to life.
Visit: <https://artinmoveis.com.br/en/home-english/> to share your experience with us!

WRITING DESK GAMER POWER

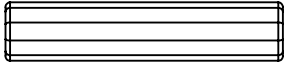


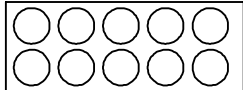


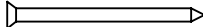
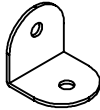
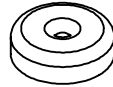



COD	DESCRIPTION	DIMENSIONS	QTY
01	UPPER TOP	39 1/4"x 6 7/8"x 5/8"	01
02	LOWER TOP	38 3/4"x 20 5/8"x 5/8"	01
03	LEFT SIDE	28 5/8"x 20 5/8"x 5/8"	01
04	CENTRAL SIDE	28 5/8"x 20 5/8"x 5/8"	01
05	RIGHT SIDE	34 7/8"x 6 7/8"x 5/8"	01
06	SHELF	20 5/8"x 9 7/8"x 5/8"	02
07	UPPER LEFT SIDE	6 7/8"x 5 1/2"x 5/8"	01
08	BACK	39"x 20 5/8"x 1/8"	01

IMPORTANT: PLEASE READ THE INSTRUCTIONS CAREFULLY BEFORE ASSEMBLY.

NECESSARY TOOLS:

A		WOOD DOWEL Ø6X30	20
B		SCREW Ø3,5X14 CC	10
C		SCREW Ø3,5X40 CC	08
D		STICKER 12MM	07

E		NAIL 10X10	25
F		CORNER 18X18	05
G		FOOT	06
H		GLUE	01

RECOMMENDATIONS:

- 01 – Carefully check all parts before starting assembly.
- 02 – We strongly recommend assembling this product by following the steps provided in this Instruction Manual.
- 03 – It is the assembler's responsibility to ensure that the furniture is properly assembled according to the instructions.
- 04 – Make sure all bolts, nuts, and screws are securely fastened, but be careful not to overtighten them.

CLEANING:

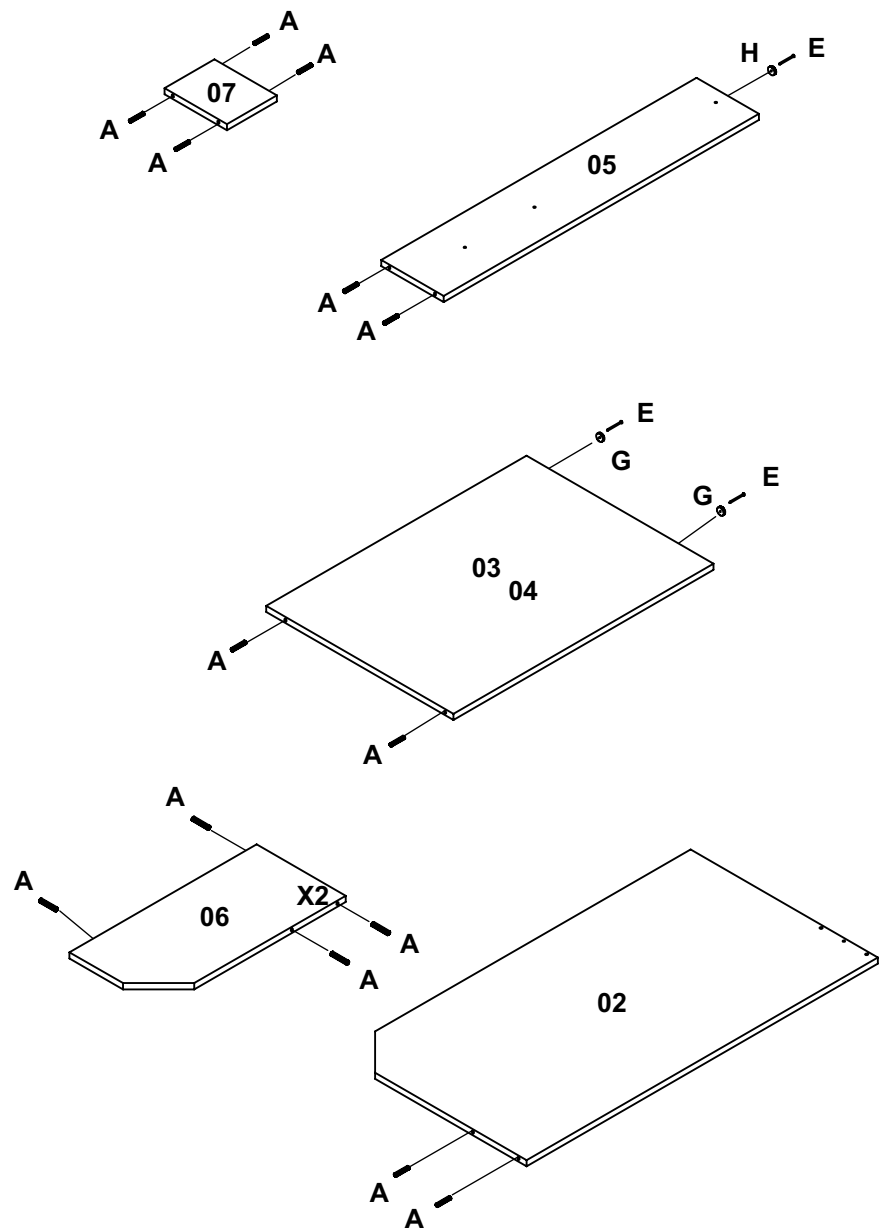
- 01 – Wipe with a cloth slightly dampened with water.
- 02 – Avoid using chemicals or abrasive cleaners.

WARNINGS:

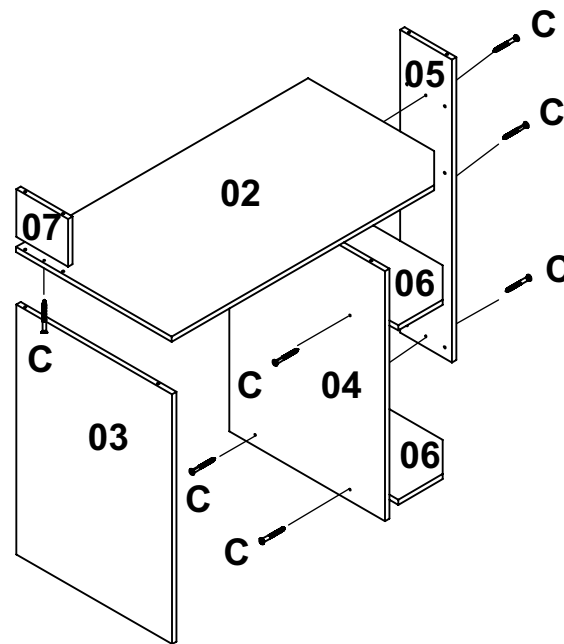
- 01 - Keep the product away from open flames and other heat sources, such as electric or gas heaters.
- 02 - Do not use the product if any parts are broken, torn, or missing. Only use manufacturer-approved replacement parts.

01

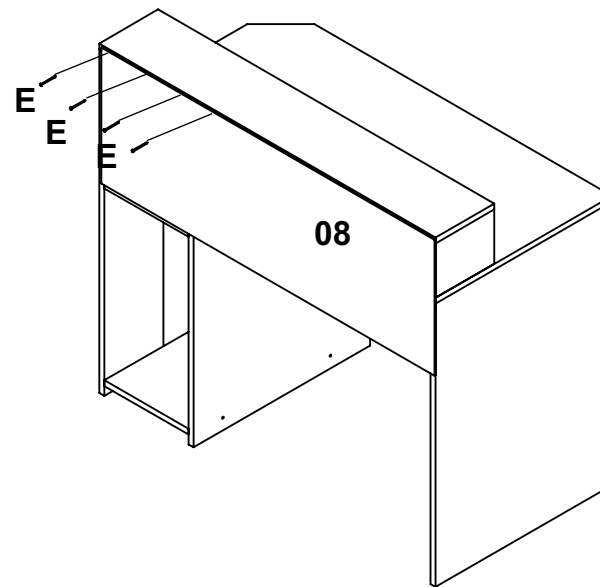
PLACE GLUE "H" ON DOWELS "A".



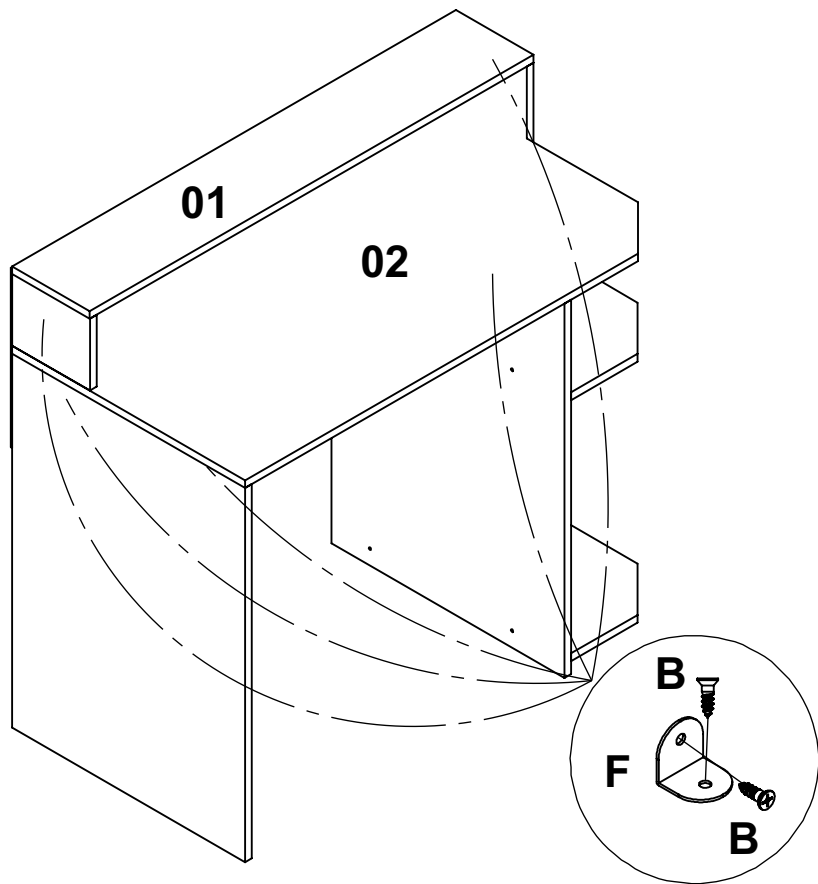
02



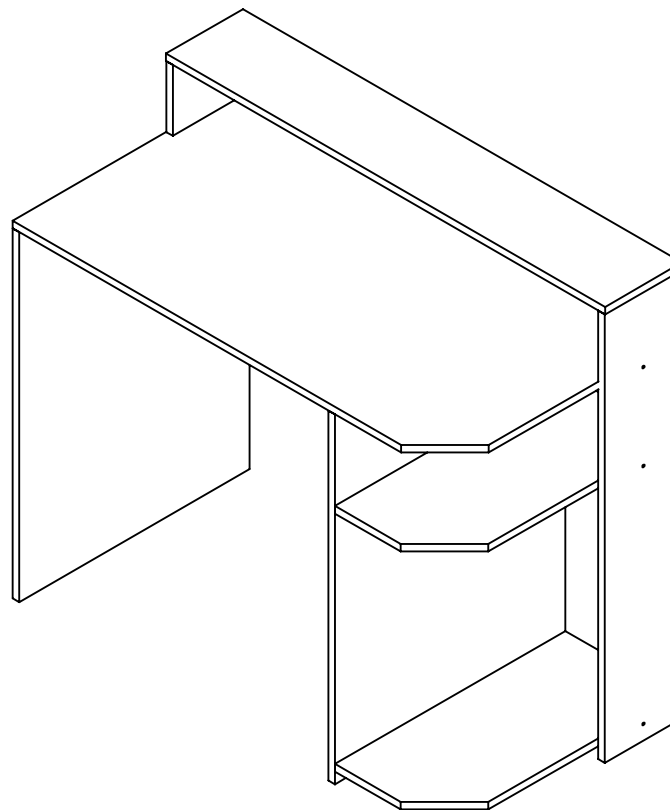
03



04



05



MAXIMUM WEIGHT CAPACITY: 77,16 lbs