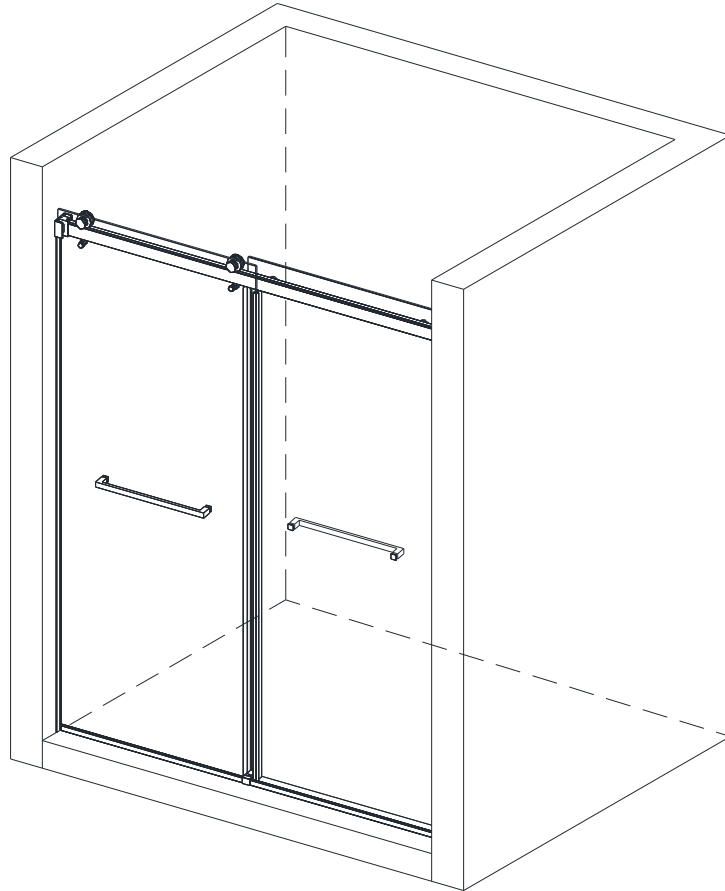


S06

Installation Instructions

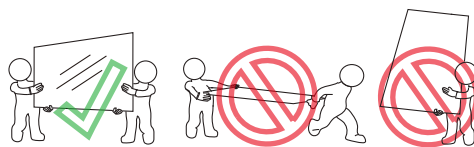
Sliding Shower and Bath Doors



Scan for **YouTube HD** Product Install Video



Scan QR Code for Installation Video



This door requires professional installation. Two installers recommended.

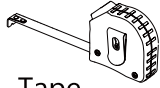
All the plastic bag is not a toy, keep it out of reach of infants and children to avoid choking hazards.

V01-2025

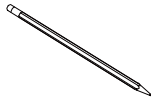
Tools



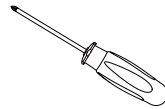
Level



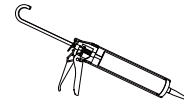
Tape Measure



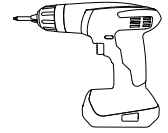
Pencil



Phillips Screwdriver



Silicone



Power Drill



Drill Bit
Ø1/8"
(3mm)



Drill Bit
Ø3/16"
(4mm)



Drill Bit
Ø1/4"
(6mm)



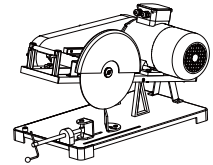
Drill Bit
Ø5/16"
(8mm)



Drill Bit
Ø3/8"
(10mm)



Soft Head Hammer



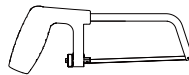
Chop saw**



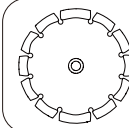
Safety Glasses



Work Gloves



Hacksaw**



**Use the proper saw blade to cut stainless steel.



Painter's Tape



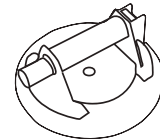
Razor Knife



Extender Driver Bit



#3 Phillips Driver Bit



Professional-grade Glass suction cup



Measure the finished opening before proceeding with the installation to be sure that the correct model size has been ordered.

Be sure to cover the shower drain to prevent losing small parts.

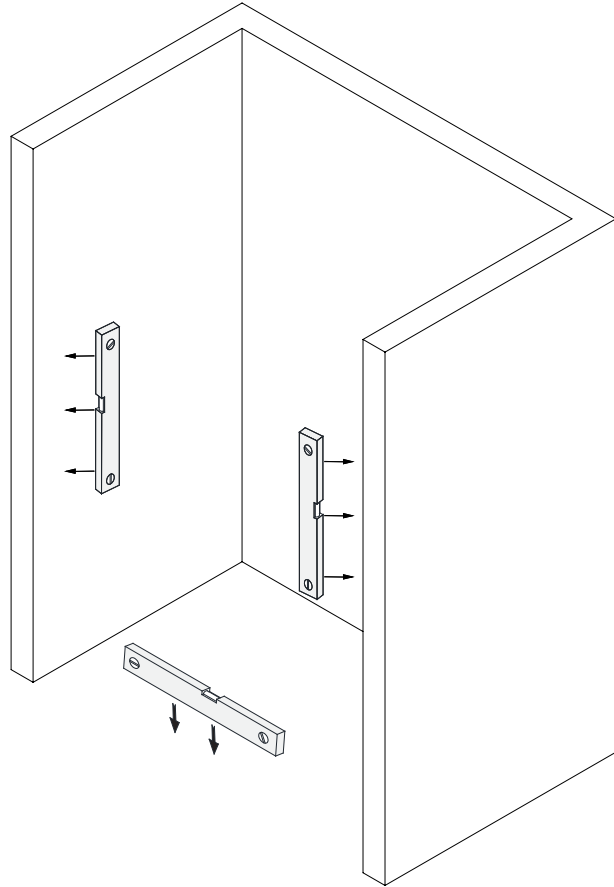
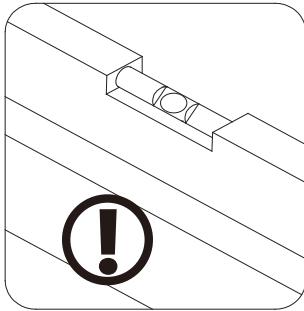


Threshold must be level; Walls must be plumb.

STEP 1

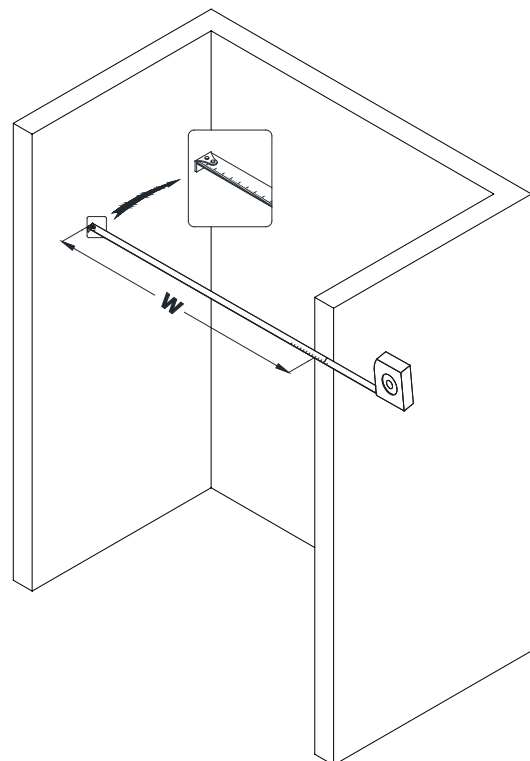
INSTALLATION STEPS

Threshold must be level.



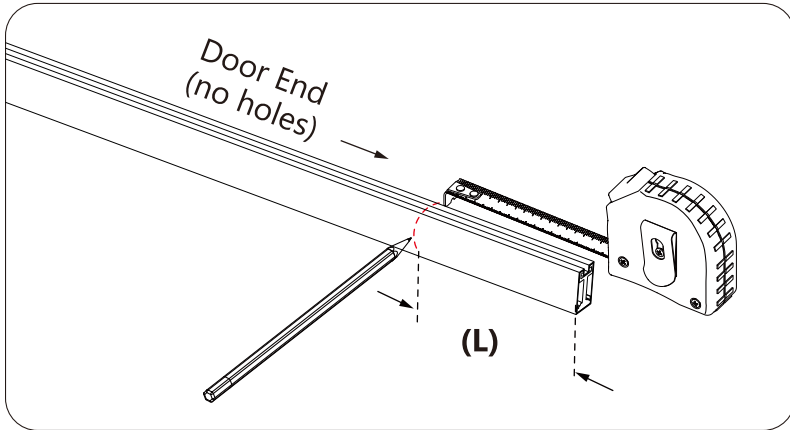
STEP 2

Measure whether the size of the door is consistent with the size of the ordered product.

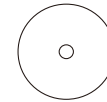


STEP 3

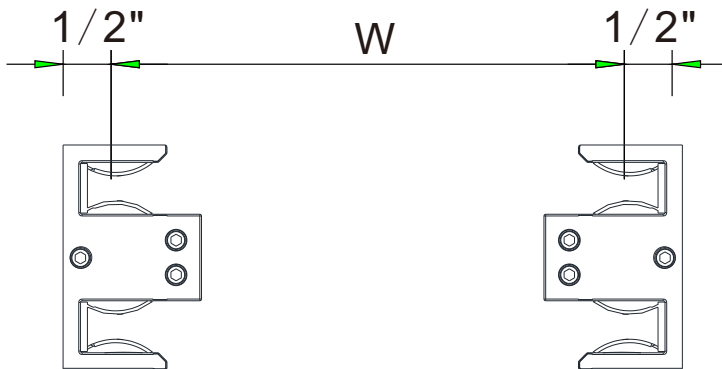
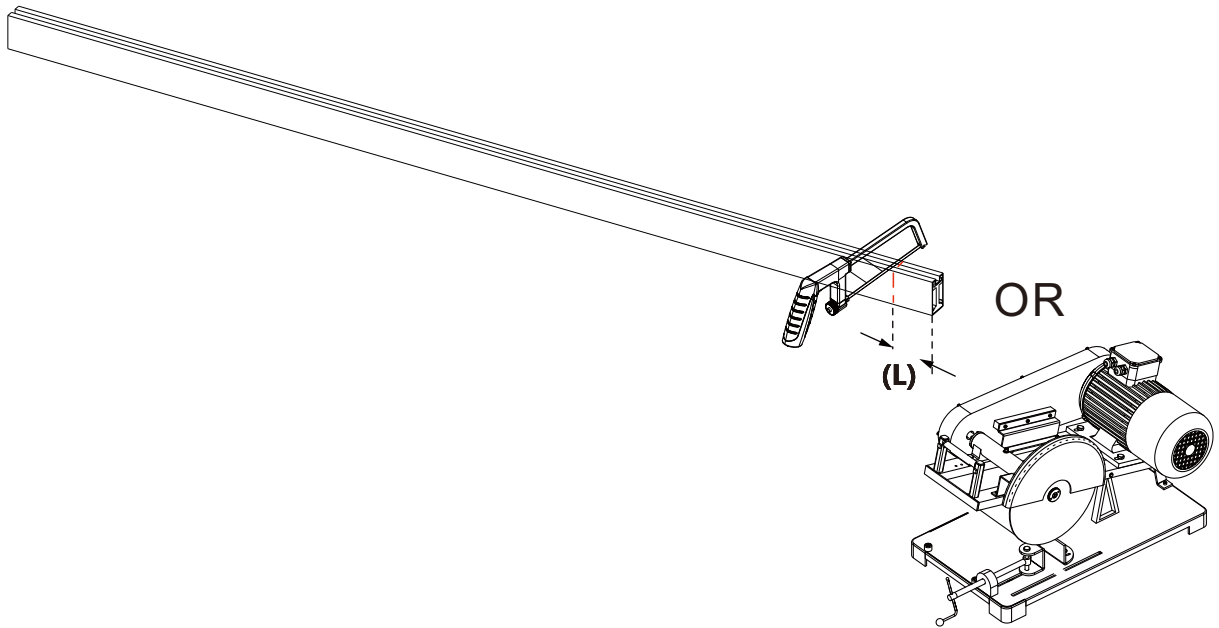
Measure And Cut The Top Guide Rail



Use a metal file to deburr the cut end



**Use the proper saw blade to cut stainless steel.



Tools Needed

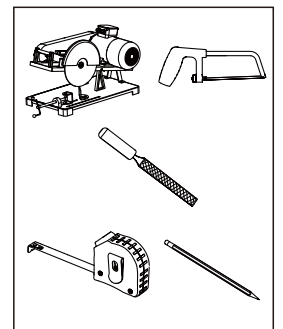
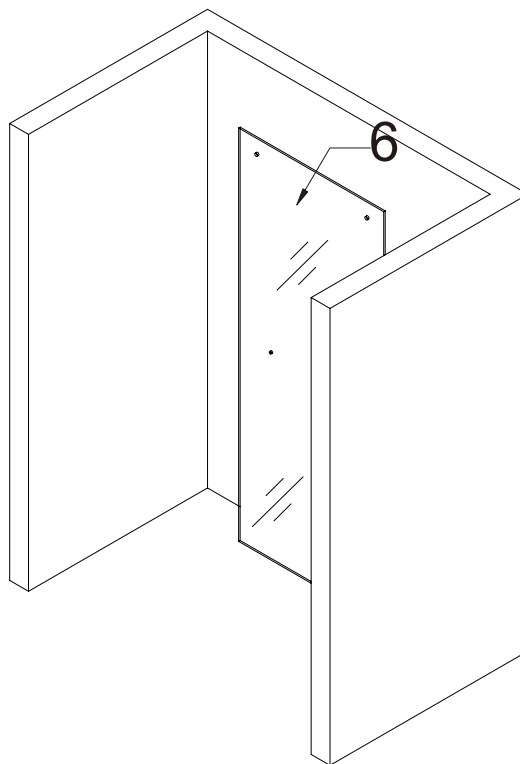


Table of top guide rail

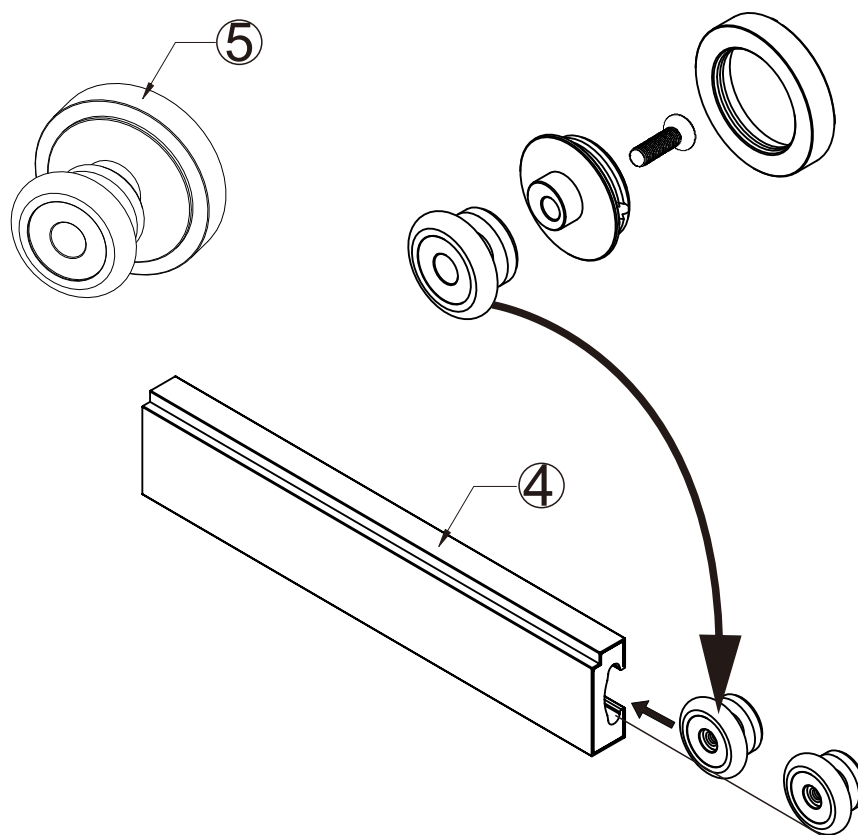
No.	Type	width	Top guide rail	Adjustments
01	shower door	1219(mm) / 48"	1195(mm)/47"	(1118-1219)mm/(44"- 48")
02		1371(mm) / 54"	1347(mm)/53"	(1270-1371)mm/(50"- 54")
03		1473(mm) / 58"	1449(mm)/57"	(1371-1473)mm/(54"- 58")
04		1524(mm) / 60"	1499(mm)/59"	(1422-1524)mm/(56"- 60")

STEP 4

Put the door glass ⑥ inside and prepare for easy installation.

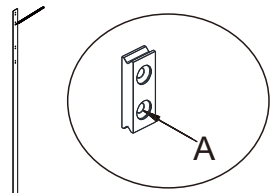


STEP 5



STEP 6

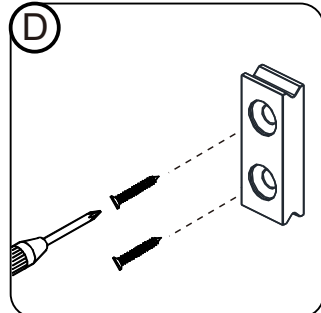
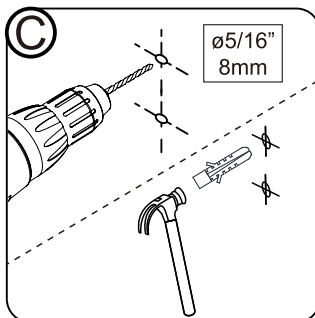
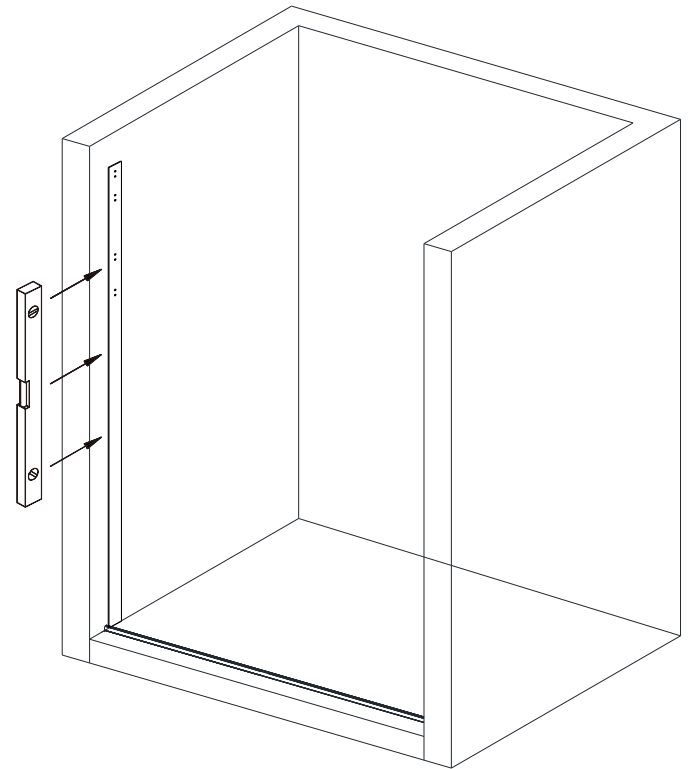
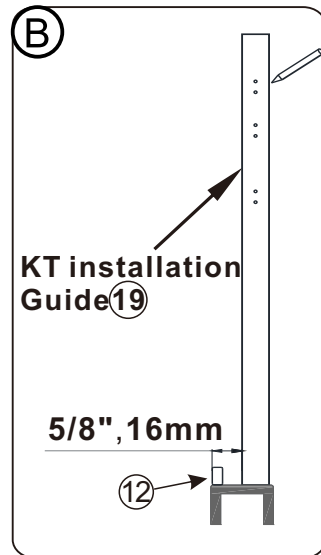
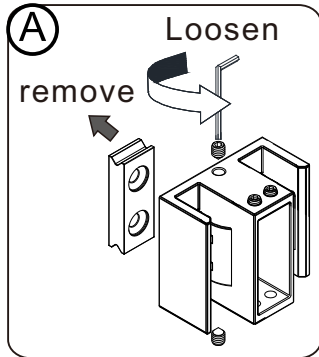
Table of wall bracket hole

No.	Type	High	Wall bracket hole A	Diagram
01	shower door	1829(mm) / 72"	1735(mm)/68 3/8"	
02		1905(mm) / 75"	1811(mm)/71 3/8"	
03		1930(mm) / 76"	1836(mm)/72 1/4"	

Step A: Remove wall bracket base from wall bracket.

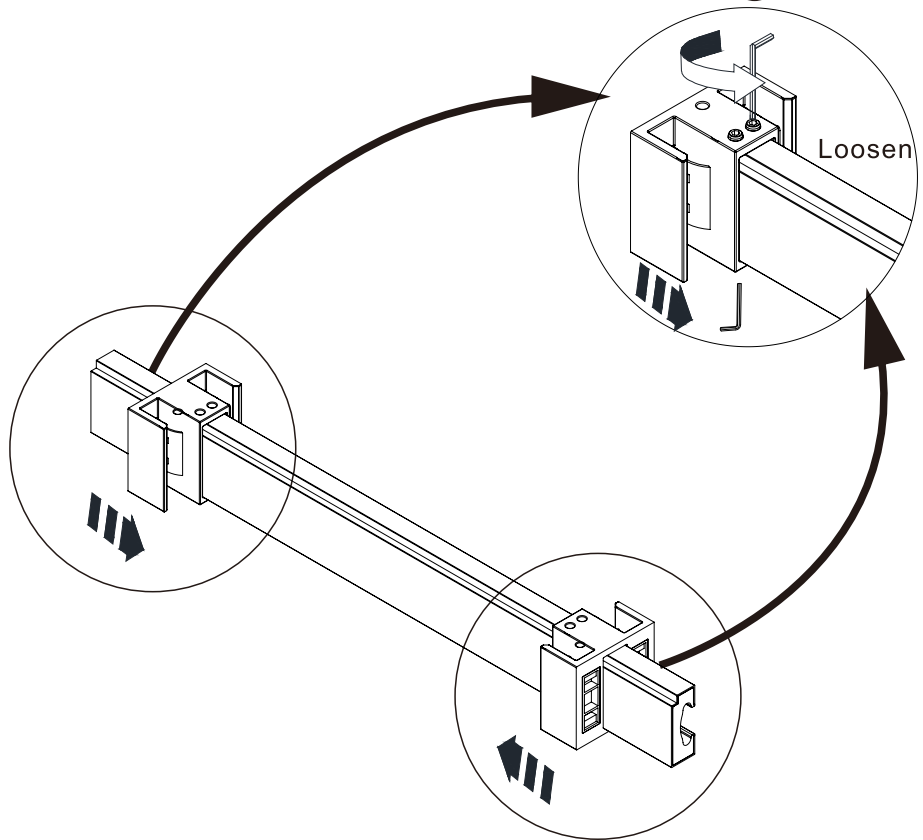
Step B: Place the dam strip (12) First, and then locate holes through KT installation guide (19), pls pay attention to the space 16mm left between dam strip (12) and KT installation guide (19).

Step C and D: Drill holes and install wall bracket base.



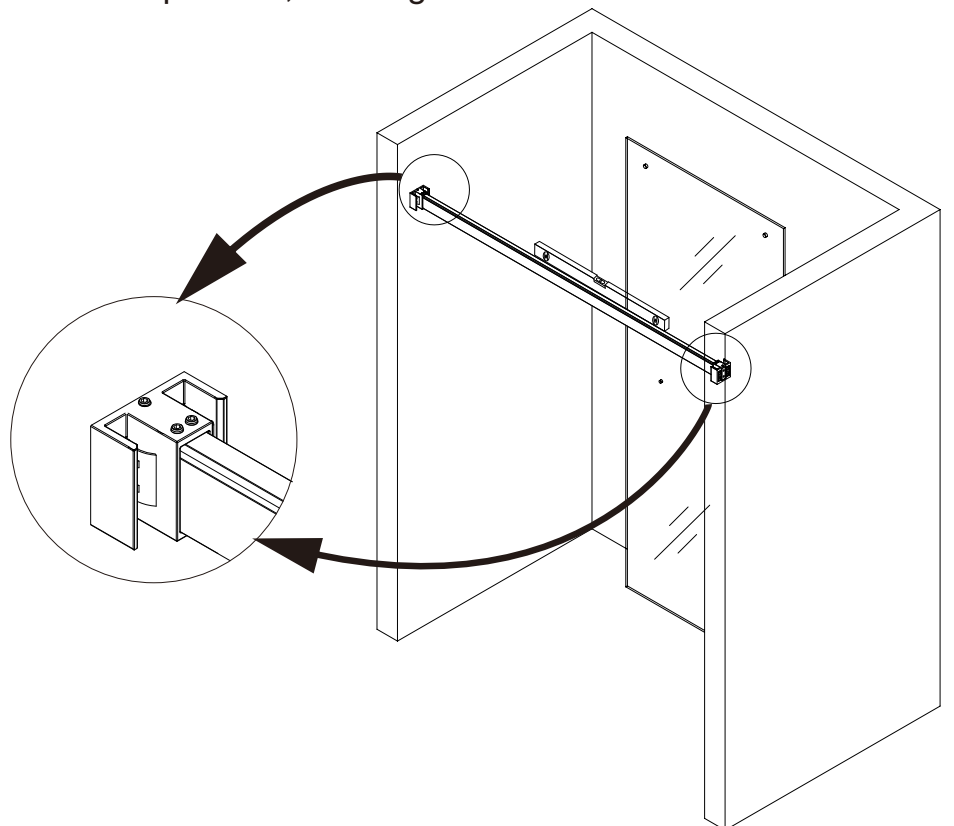
STEP 7

Do not unscrew all the screws, just remove the wall bracket 02.

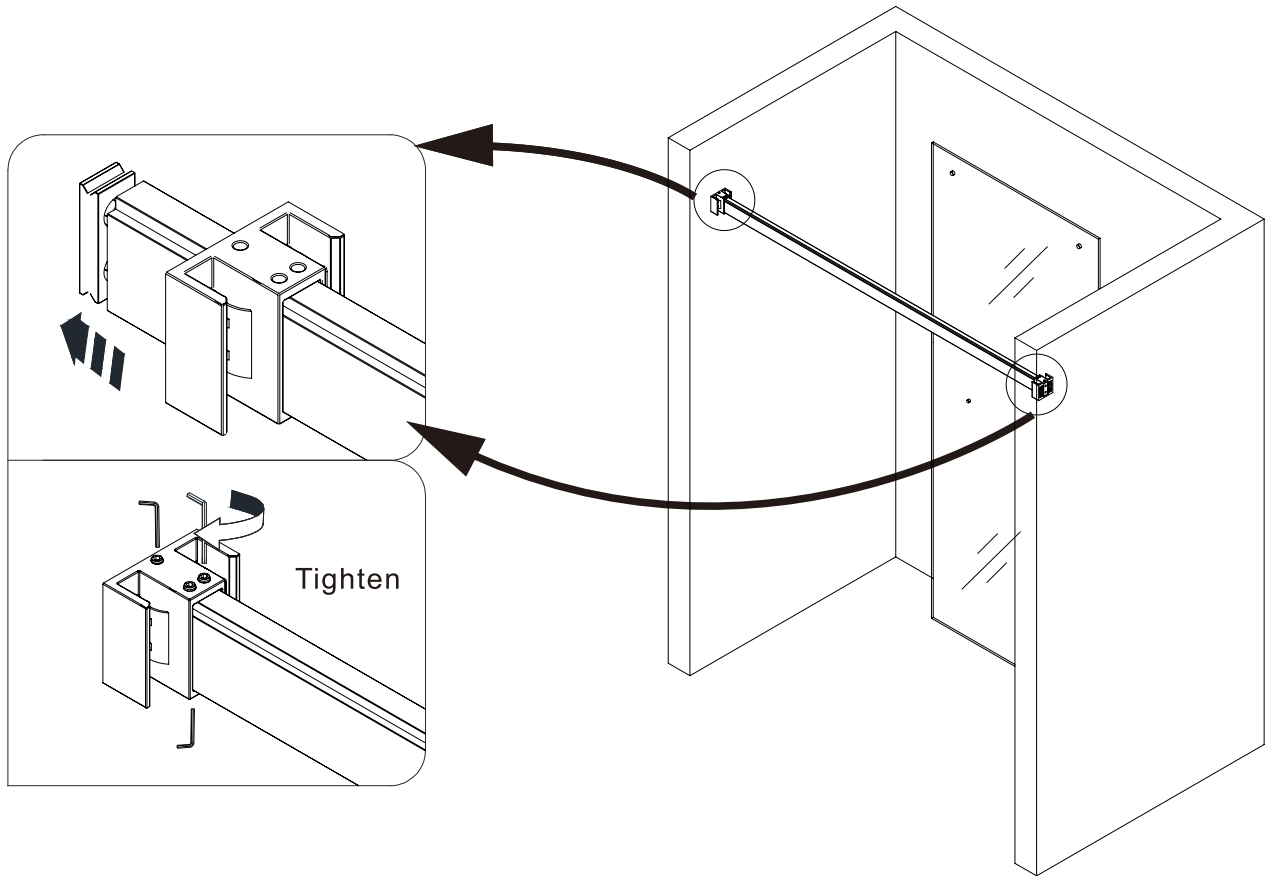


STEP 8

The track 04 must be kept level, then tighten all screws



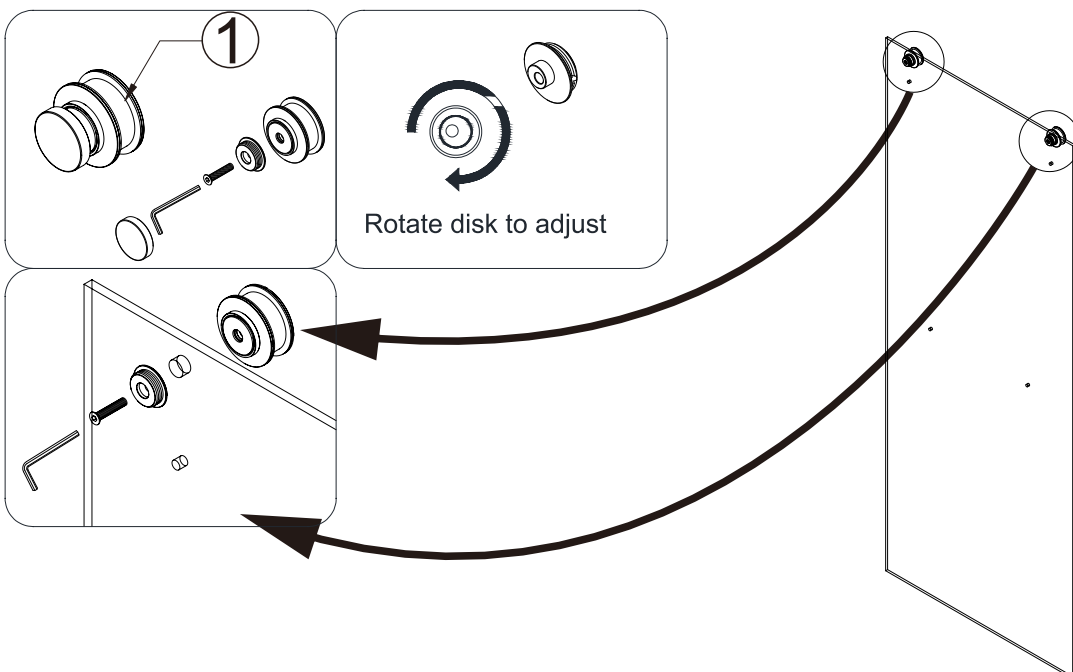
STEP 9



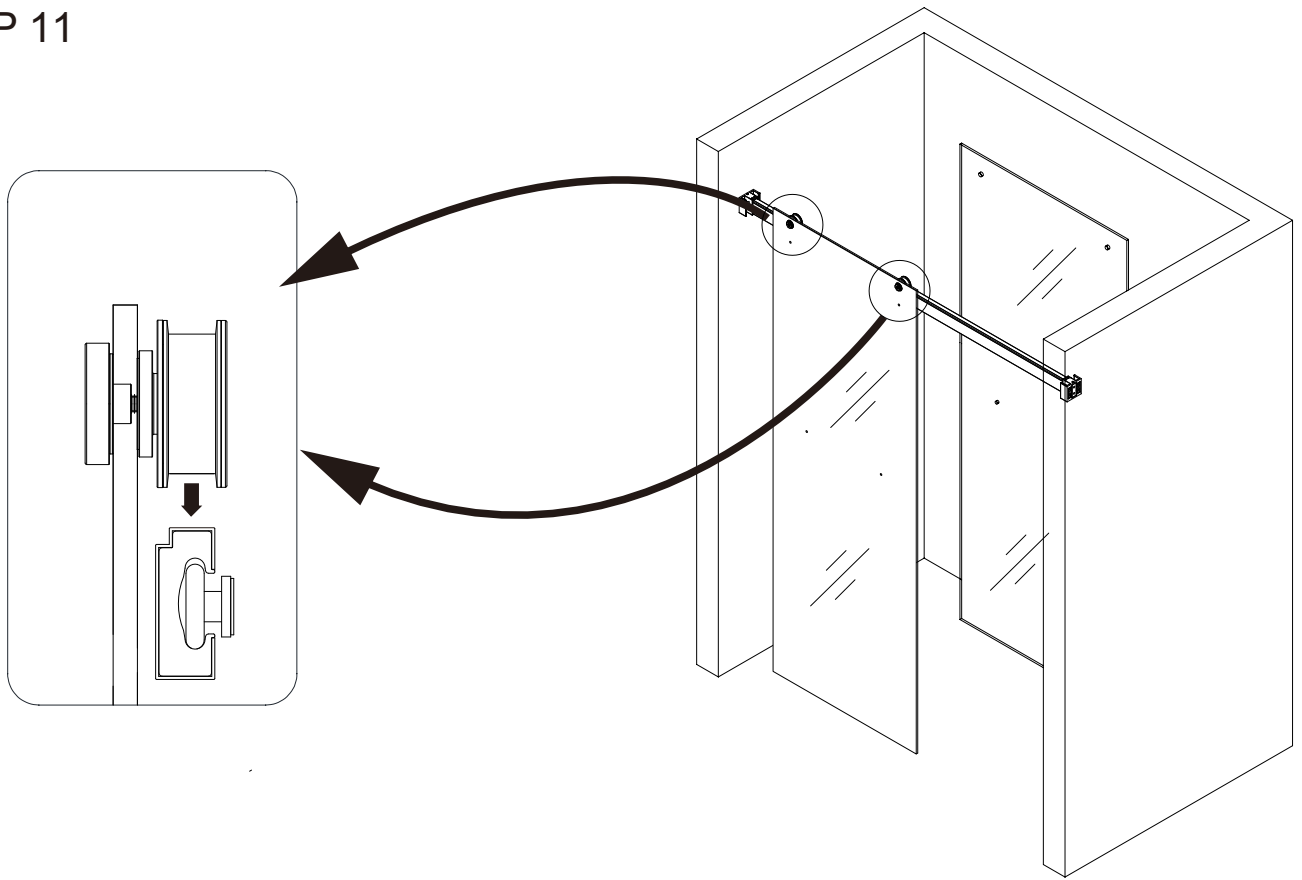
STEP 10

Attach the Roller Assembly 01 to the glass door 07 with the wheels facing out.

NOTE: The roller hardware disk can be rotated to tilt the door glass slightly to create a tight seal with the wall. Make any adjustments after all of the vinyl seals are installed to protect the edge of the door glass.

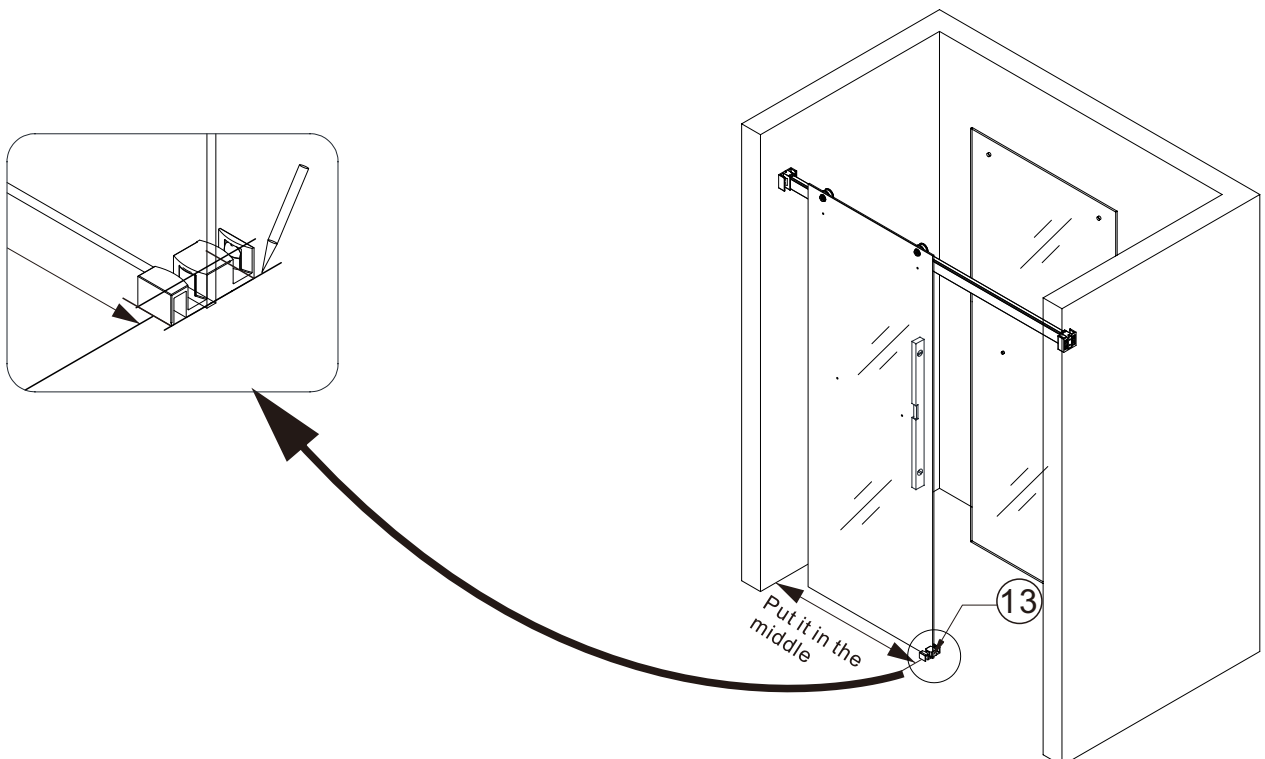


STEP 11



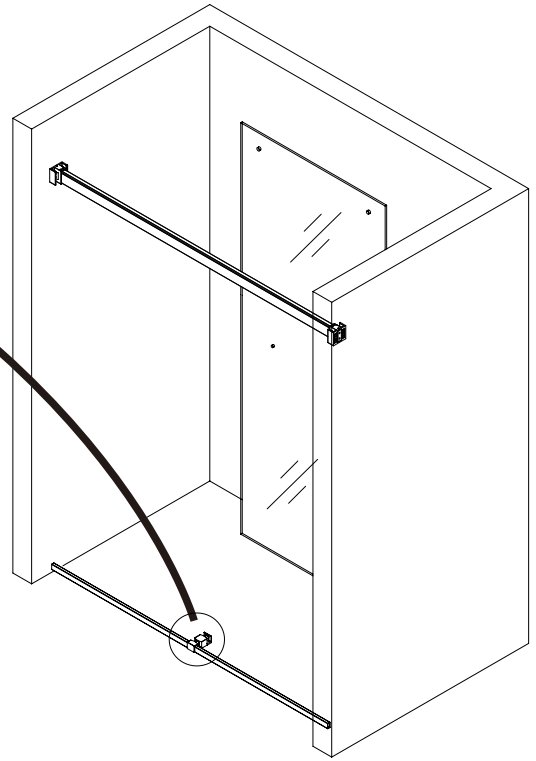
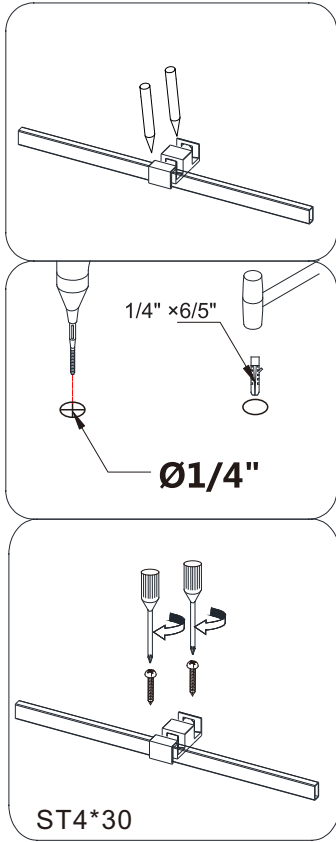
STEP 12

After hanging the glass door on the track, place a guide block (13) under the glass door, level the glass door with a spirit level, and then mark the position of the guide block (13).



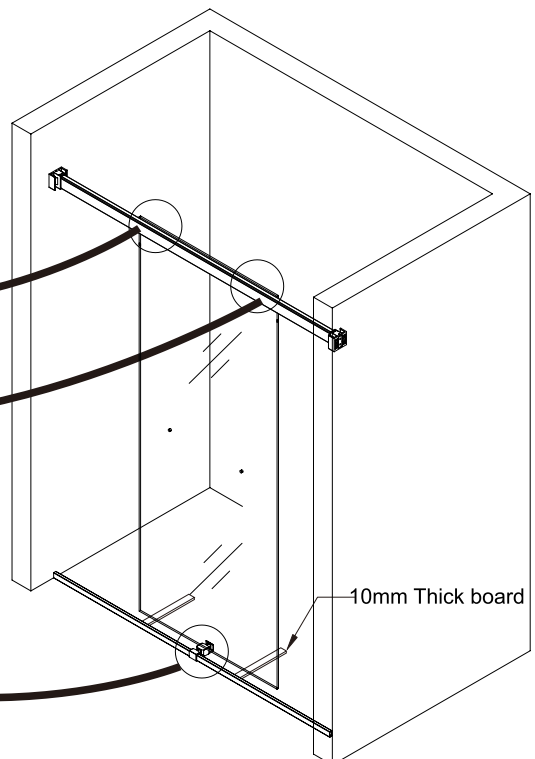
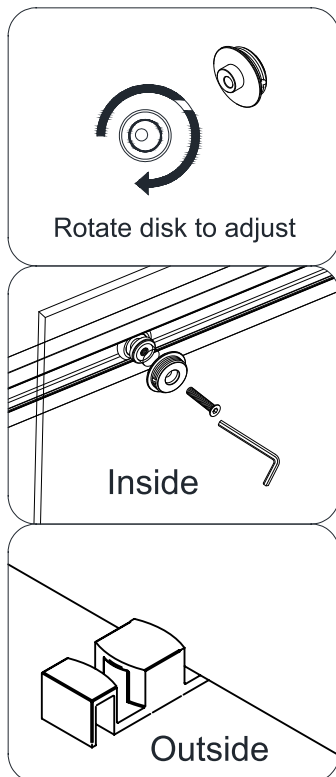
STEP 13

Be careful not to drill the wall tiles into pieces when drilling.



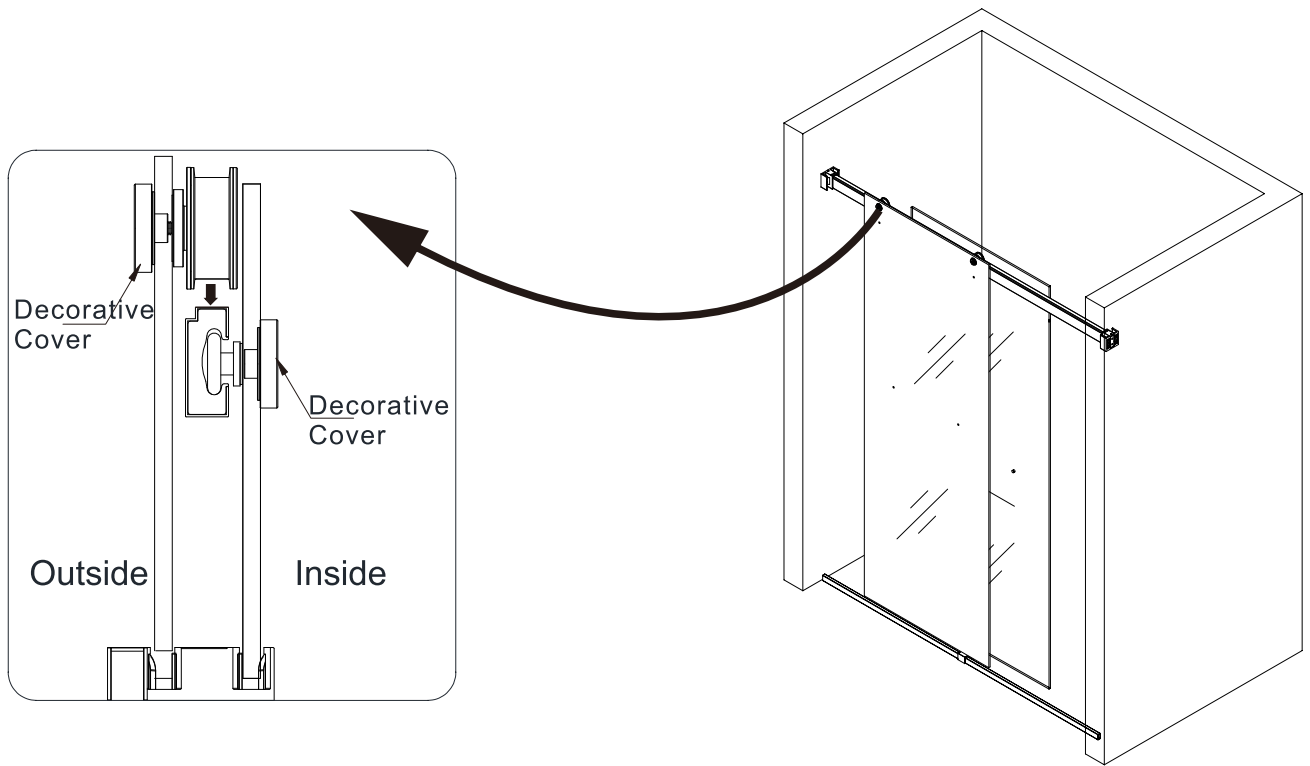
STEP 14

Attach the Rollers ⑤ to the Door Glass ⑥ with the wheels facing out.
NOTE: The roller hardware disk can be rotated to tilt the door glass slightly to create a tight seal with the wall. Make any adjustments after all of the vinyl seals are installed to protect the edge of the door glass.

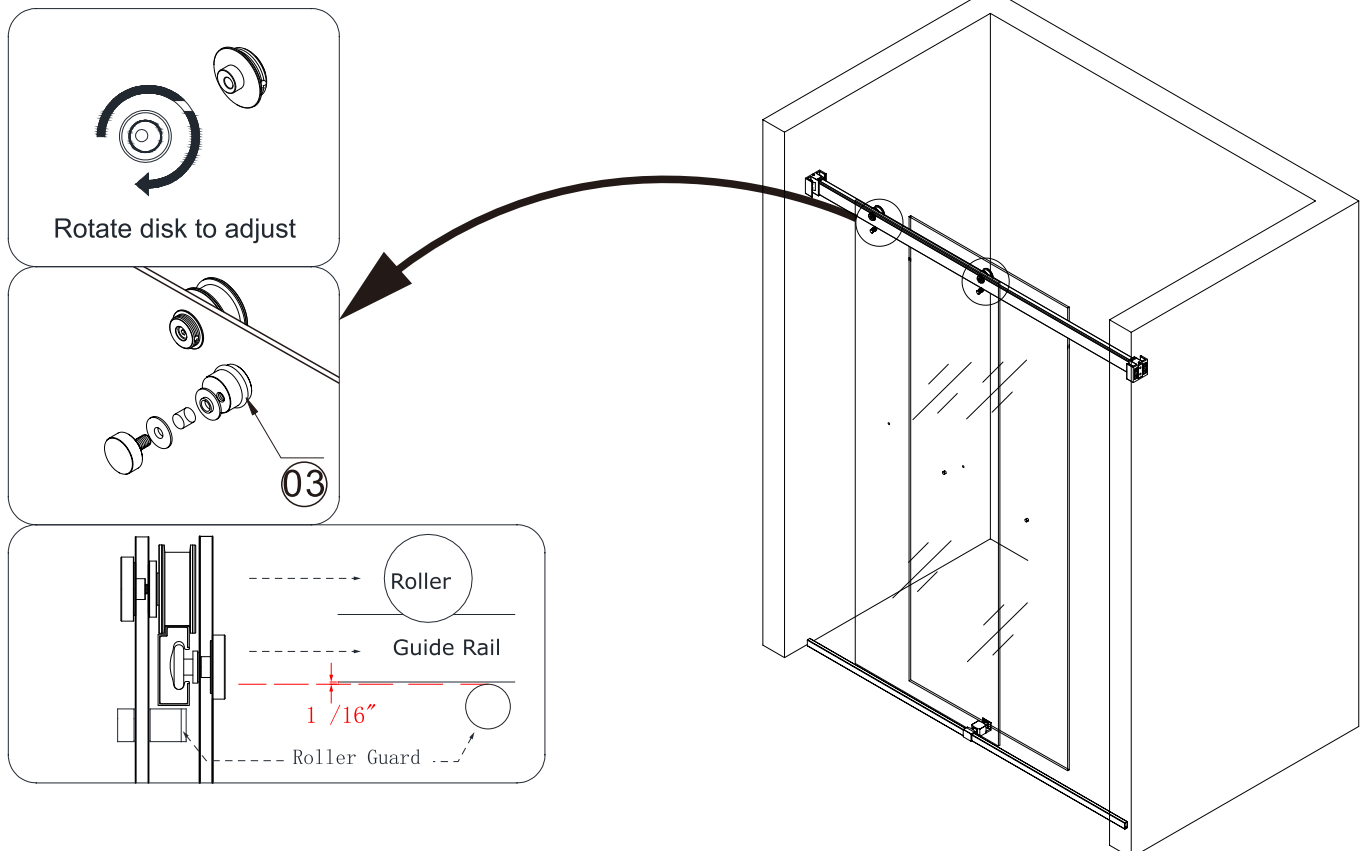


STEP 15

Complete the previous step, hang the door glass (07) onto the track, and install the decorative covers for Roller Assembly (01) and Glass-to-Rail Bracket (05).

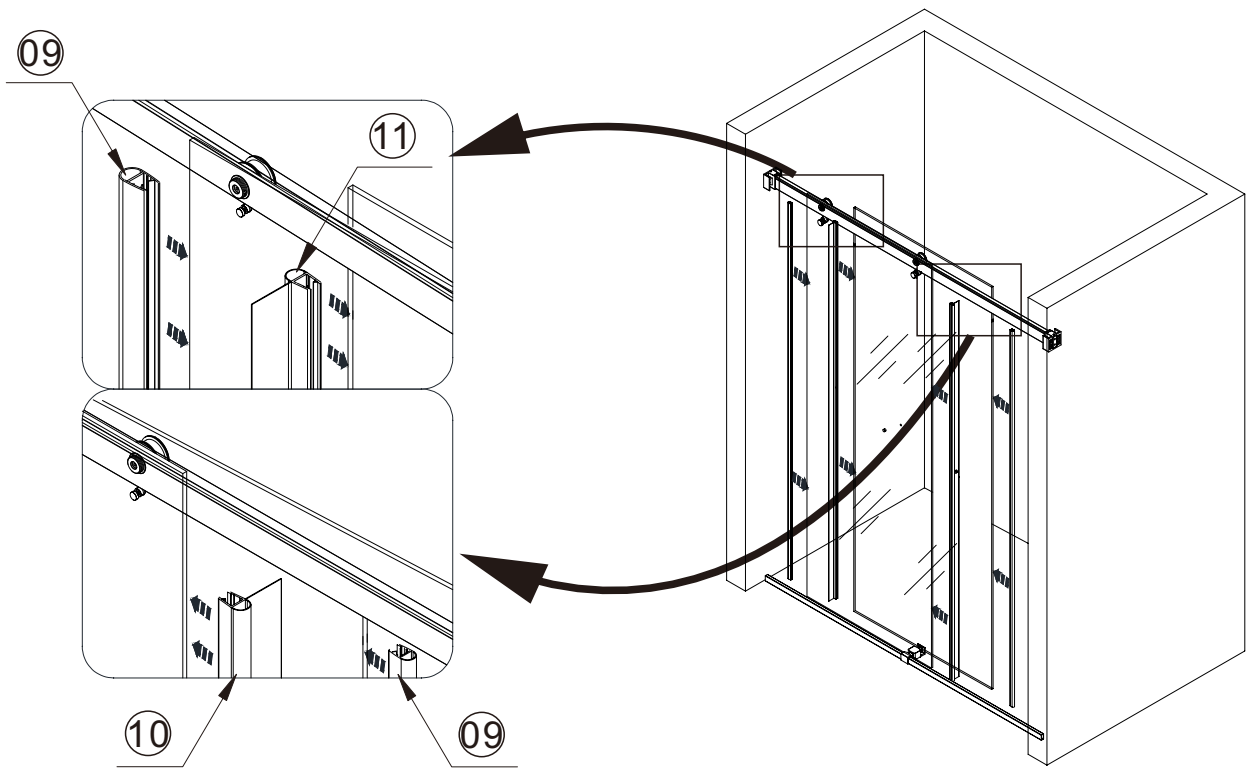


STEP 16

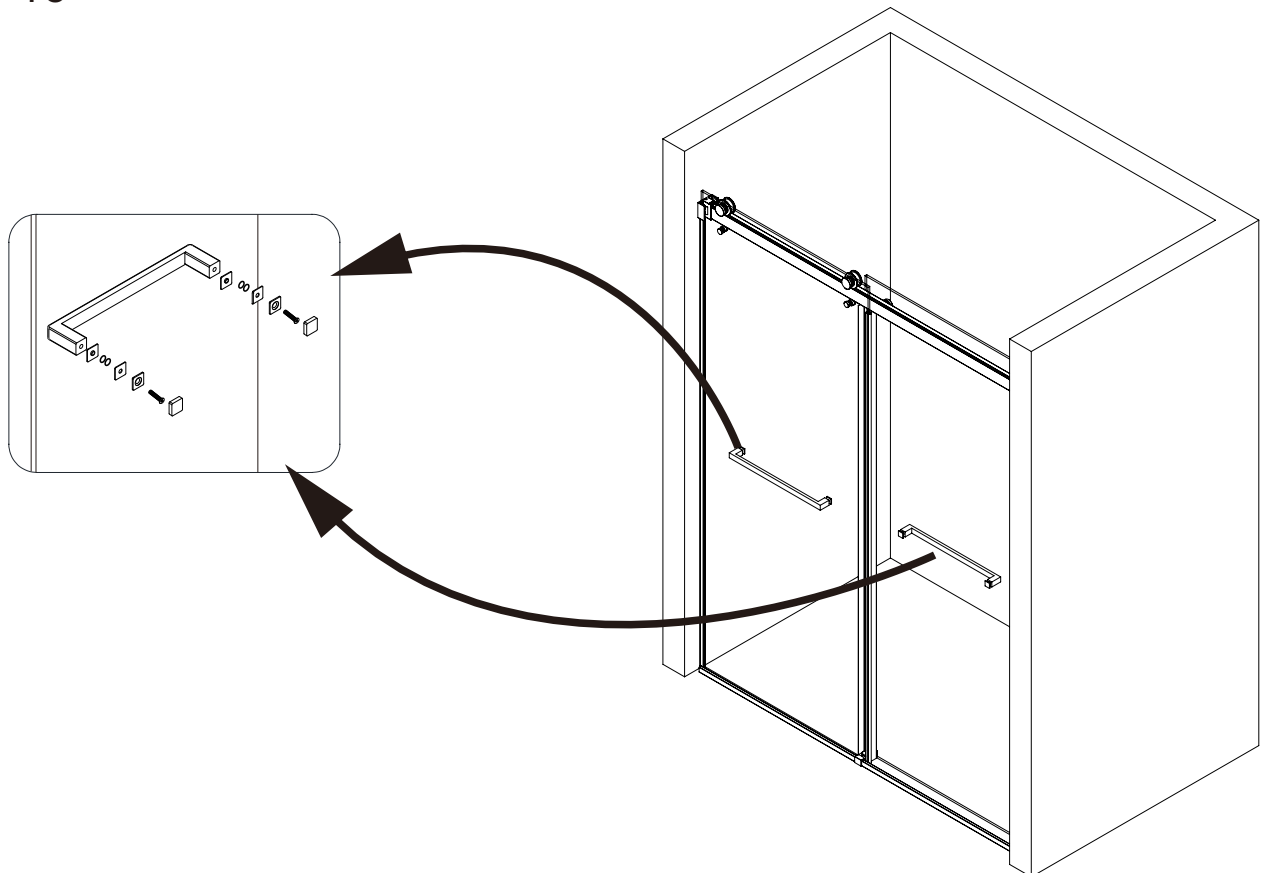


STEP 17

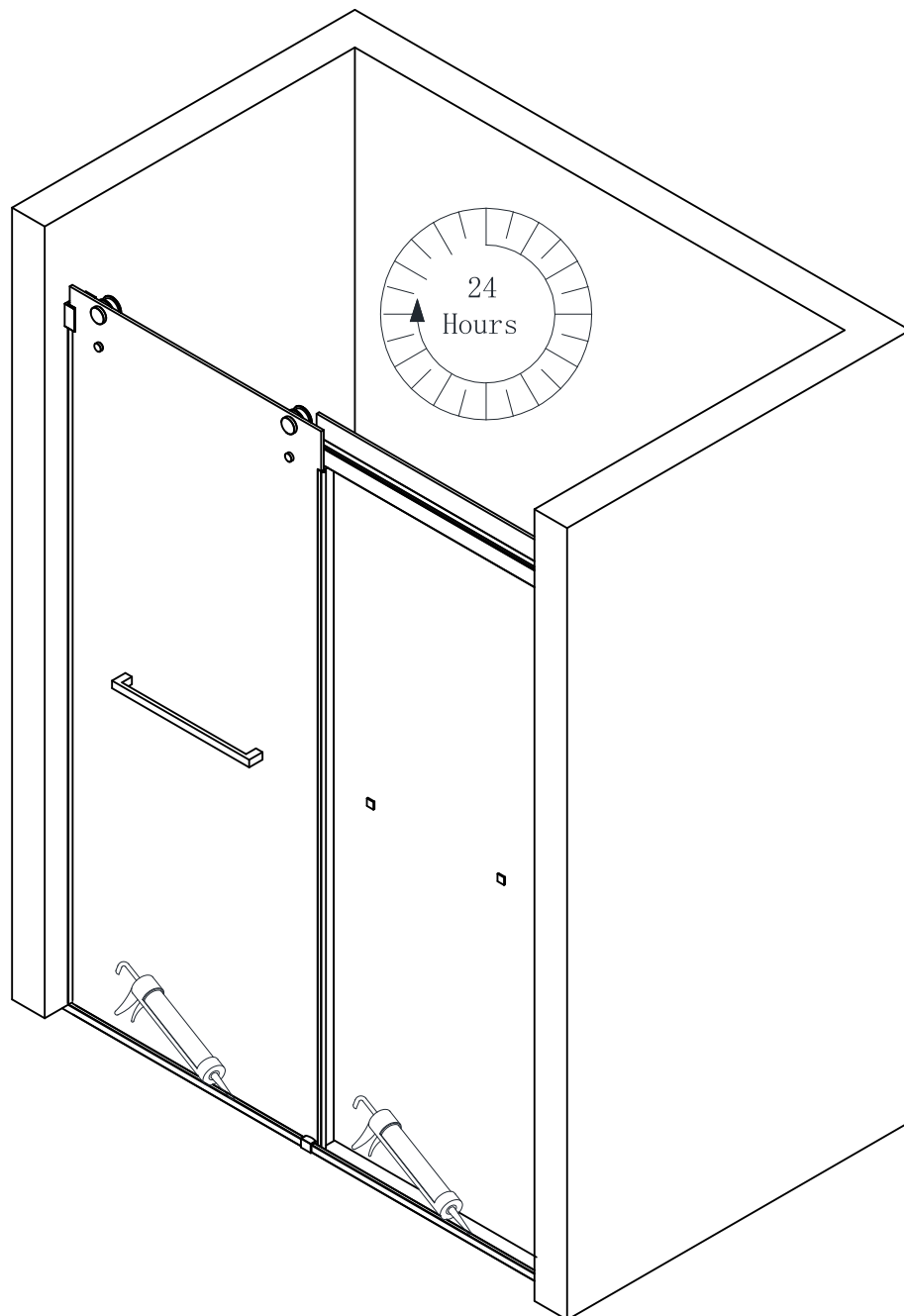
Install the rubber strip in the specified position



STEP 18



Apply silicone sealant to the area between the lower water stopper and the floor.
NOTE: The surfaces need to be clean and free of debris before applying silicone.
Allow 24 hours for the silicone to fully cure before using the shower.



Do not return product to store. Contact BATHWILLER with any questions.

Add: 830 N Central Ave, Upland, CA 91786

Web: www.ibathwiller.com

Email: supports@ibathwiller.com

Product Care & Maintenance

- **Glass Panels**

After each shower, rinse and wipe the glass with a soft cloth or squeegee
To prevent soap residue and water spots.

Hard water left to dry can cause permanent etching—drying after use is
Highly recommended.

Do not use abrasive cleaners, scouring powders, bristle brushes, or
Abrasive sponges that may scratch the glass.

- **Hardware & Metal Finishes**

Wipe metal parts dry with a soft cloth after each use to maintain their finish.

Avoid cleaners containing ammonia, bleach, or acids. If such cleaners

Come in contact, rinse immediately to prevent peeling or corrosion.

Clean stainless steel at least once a week. When using stainless steel

Polish, always wipe in the direction of the grain.

Never use steel wool, wired brushes, or abrasive pads on metal surfaces.

Maintenance Checklist

- Ensure the unit is stable, operates smoothly, and is securely installed
- Verify panel glass and brackets are properly secured
- Check guide block alignment with the threshold and glass
- Confirm proper clearance beneath the door glass
- Inspect screws and tighten if needed
- Inspect vinyl seals; replace if damaged or missing
- Examine all glass edges for chips or cracks
- Replace any damaged glass immediately

Troubleshooting

Problem/Symptom	Suggested Solution
Missing Parts	<ul style="list-style-type: none"> •Check all shipping/packaging material for missing parts/components. •If not found, contact Email: supports@ibathwiller.com to order factory part replacement.
Top Guide Rail was cut too short or was cut from wrong end during installation.	<ul style="list-style-type: none"> •The Top Guide Rail (#04) is pre-cut for the model size, and will be shorter than the model width to allow for the Guide Rail Brackets (#02). •If the Top Guide Rail (#04) is cut too short or cut from the wrong end, contact Email: supports@ibathwiller.com to order factory part replacement.
Water Leakage	<ul style="list-style-type: none"> •Confirm the Bottom Threshold (#12), Bulb Vinyl Strip (#09), and the Vertical Vinyl Strips (#10/11) are installed correctly. •Confirm that the entire unit has been properly sealed with silicone caulk; allow at least 24 hours to allow the silicone to cure and set before using the shower unit. •Direct the shower head/water flow away from the area.
The door rolls open or closed	<ul style="list-style-type: none"> •Check the Top Guide Rail (#04) for level. Adjust the Guide Rail Brackets (#02) •Adjust the Roller Wheel Assemblies (#01/05) on the door, if needed, to allow the door to seal evenly against the wall. •To influence the Top Guide Rail (#04) slightly, the innermost Glass-to-Rail Brackets (#02) can be adjusted. •Confirm the Guide Block (#13) is square to the Panel Glass (#06/07) and threshold.
The door does not track smoothly	<ul style="list-style-type: none"> •Confirm the Door Glass (#06/07) is not making contact with the bottom of the Guide Block (#13). •If the Door Glass (#06/07) needs to be raised, adjust the Roller Wheel Assemblies (#01/05) to raise it. •Be sure that there is nothing on the Top Guide Rail (#04) that could block the Roller Wheel Assemblies (#01/05). •Check the Bottom Roller Assemblies (#03) are 1/16" beneath the Top Guide Rail (#04) and are not making any contact with the Top Guide Rail (#04).
Mishandled glass	<ul style="list-style-type: none"> • Always take precautions when handling tempered glass. • A glass suction cup and an assistant are helpful when carrying large, heavy lites of glass. •Never allow tempered glass (especially the edges) to come in contact with any hard surface, which can cause chipping, splintering or complete glass failure. •Any damaged glass should be immediately replaced. •Do not use a shower with damaged glass. •Leave plastic corner protectors on the glass until ready to install. •Always protect the glass once removed from the box by padding the top and bottom of the glass with cardboard, styrofoam or other soft material until ready to install.

Do not return product to store. Contact us with any questions.

Add: 830 N. Central Avenue, Upland CA, 91786

Web: www.ibathwiller.com

Email: supports@ibathwiller.com