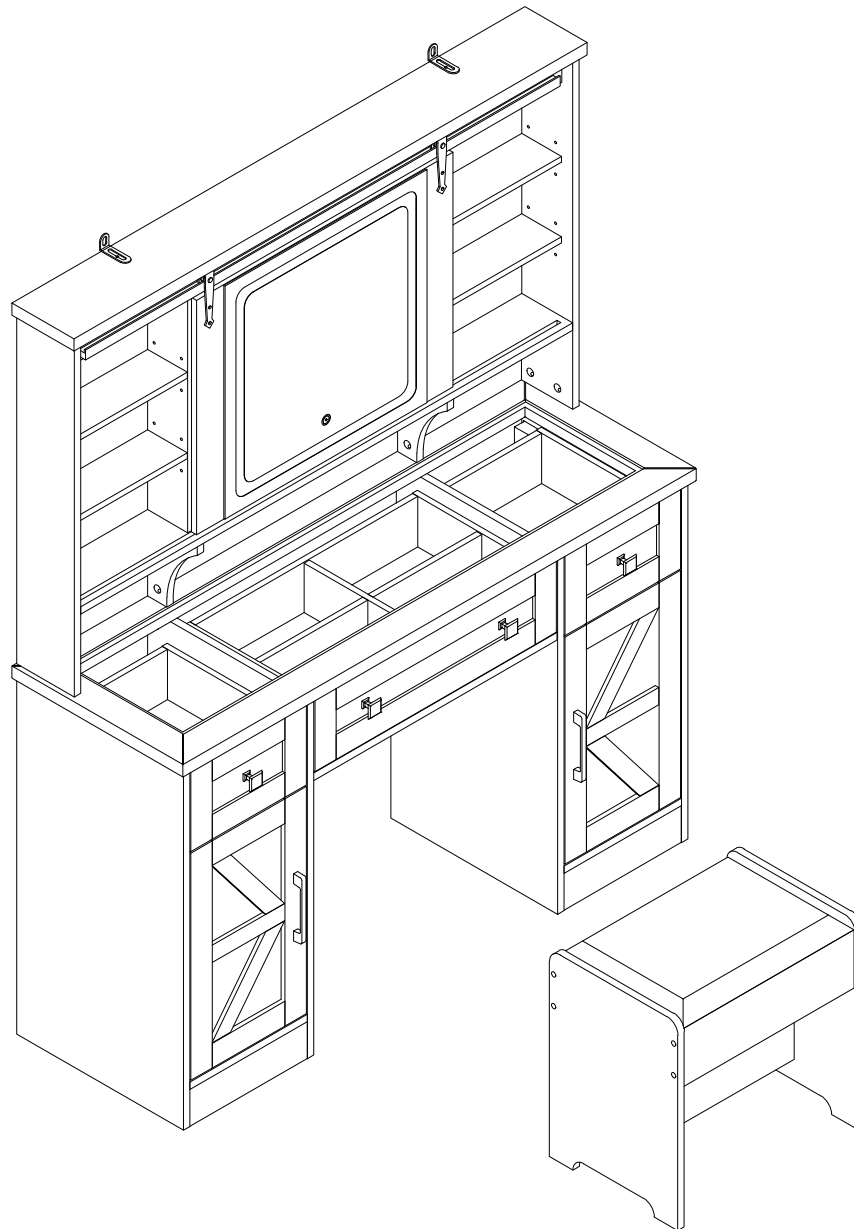


Table

Assembly Instructions - Please keep for future reference



Dimensions

Width - 47.2inch
Depth - 15.7inch
Height - 58.6inch

It takes 2 people roughly 2-3 hours to assemble the whole piece.
A power drill is highly recommended.

Important – Please read these instructions fully before starting assembly



Safety and Care Advice

Important – Please read these instructions fully before starting assembly

- Check you have all the components and tools listed on the following pages.
- Remove all fittings from the plastic bags and separate them into their groups.
- Keep children and animals away from the work area, small parts could choke if swallowed.
- Make sure you have enough space to layout the parts before starting.

- During assembly do not stand or put weight on the product, this could cause damage.
- Assemble the item as close to its final position (in the same room) as possible.
- Assemble on a soft level surface to avoid damaging the unit or your floor.
- Parts of the assembly will be easier with 2 people.



- To reduce the likelihood of damaging your product please ensure that your power drill is set on a low torque setting.

Care and maintenance

- Only clean using a damp cloth and mild detergent, do not use bleach or abrasive cleaners.
- From time to time check that there are no loose screws on this unit.
- This product should not be discarded with household waste. Take to your local authority waste disposal centre.

Handy Hints

- Assemble all parts and bolts loosely during assembly, only once the product is complete should you fully tighten the bolts
- Regularly check and ensure That all bolts and fittings are tightened properly.

WARNING In order to help prevent overturning – please follow these instructions

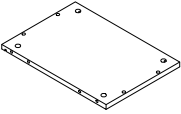
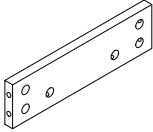
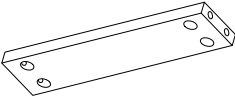


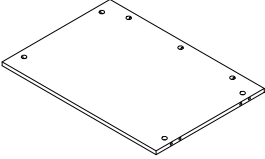
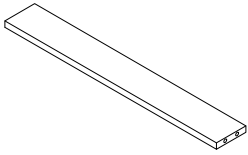


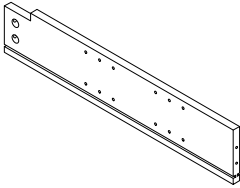
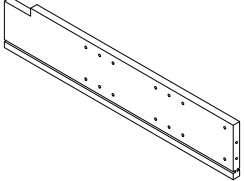
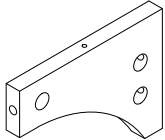
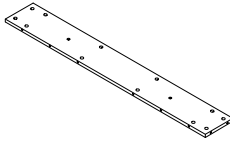
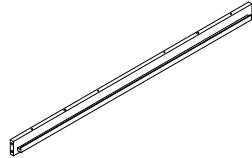



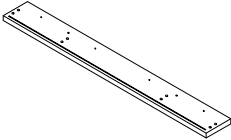
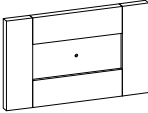
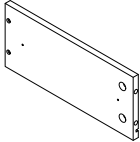
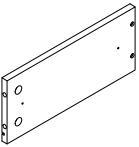
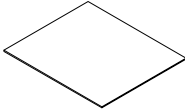
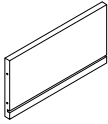
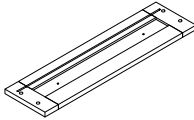
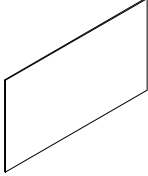

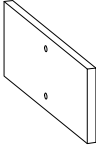
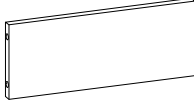
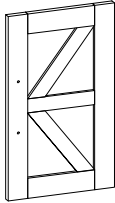

To help prevent product toppling over please follow the below steps:-

Use the anti tip strap or wall fixing method provided (if applicable)
Do not allow children to climb or hang on the furniture
Do not open more than one drawer at a time
Do not place heavy items in the top drawers
Do not place heavy items on top of the furniture, unless the furniture has been designed for this purpose

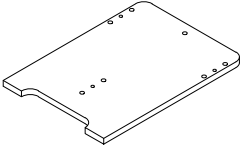
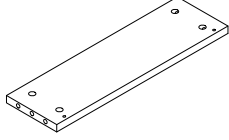
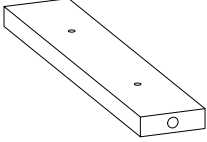
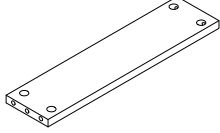

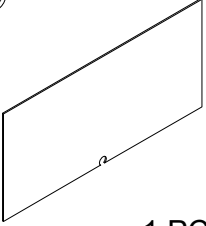
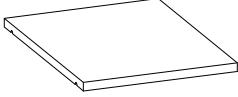


please note that only the anti tip strap is provided.

You will need to provide wall plugs and screws applicable for your wall type

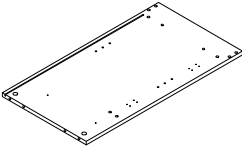
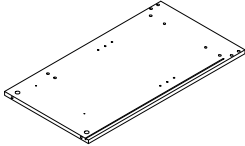
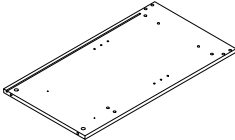
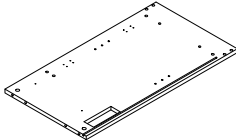
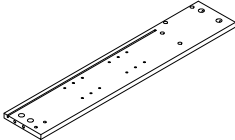
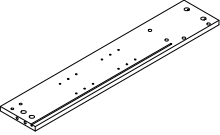
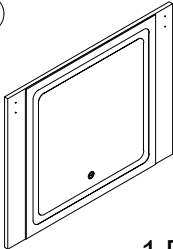
Part List: A

| | | | | |
|---|---|---|---|---|
| <p>①</p>  <p>2 PCS</p> | <p>②</p>  <p>4 PCS</p> | <p>⑦</p>  <p>2 PCS</p> | <p>⑧</p>  <p>1 PC</p> | <p>⑨</p>  <p>1 PC</p> |
| <p>⑩</p>  <p>1 PC</p> | <p>⑪</p>  <p>1 PC</p> | <p>⑫</p>  <p>1 PC</p> | <p>⑬</p>  <p>1 PC</p> | <p>⑭</p>  <p>1 PC</p> |
| <p>⑮</p>  <p>1 PC</p> | <p>⑯</p>  <p>2 PCS</p> | <p>⑰</p>  <p>1 PC</p> | <p>⑱</p>  <p>1 PC</p> | <p>⑳</p>  <p>1 PC</p> |
| <p>㉒</p>  <p>1 PC</p> | <p>㉓</p>  <p>2 PCS</p> | <p>㉔</p>  <p>1 PC</p> | <p>㉕</p>  <p>2 PCS</p> | <p>㉖</p>  <p>3 PCS</p> |
| <p>㉗</p>  <p>3 PCS</p> | <p>㉘</p>  <p>2 PCS</p> | <p>㉙</p>  <p>2 PCS</p> | <p>㉚</p>  <p>1 PC</p> | <p>㉛</p>  <p>1 PC</p> |
| <p>㉜</p>  <p>1 PC</p> | <p>㉝</p>  <p>1 PC</p> | <p>㉞</p>  <p>2 PCS</p> | <p>㉟</p>  <p>2 PCS</p> | <p>㊱</p>  <p>1 PC</p> |

Part List: A

| | | | | |
|--|--|--|---|---|
| <p>38</p>  <p>2 PCS</p> | <p>39</p>  <p>2 PCS</p> | <p>40</p>  <p>2 PCS</p> | <p>41</p>  <p>1 PC</p> | <p>42</p>  <p>1 PC</p> |
| <p>43</p>  <p>1 PC</p> | <p>44</p>  <p>2 PCS</p> | <p>45</p>  <p>4 PCS</p> | <p>46</p>  <p>3 PCS</p> | |



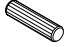
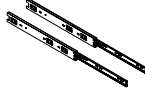


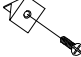


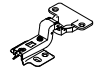








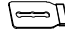




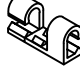


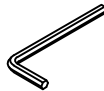
Part List: B

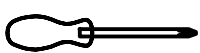
| | | | | |
|---|---|--|---|---|
| <p>3</p>  <p>1 PC</p> | <p>4</p>  <p>1 PC</p> | <p>5</p>  <p>1 PC</p> | <p>6</p>  <p>1 PC</p> | <p>19</p>  <p>1 PC</p> |
| <p>20</p>  <p>1 PC</p> | <p>36</p>  <p>1 PC</p> | | | |

Components - Fittings

Please check you have all the panels listed below

Note: The quantitie below are the correctet amount to complete the assembly. In some cases more fittings may be supplied than are required.

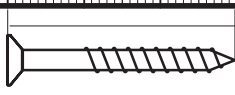
| | | |
|---|---|---|
| A  Male Camlock x 115 | B  Female Camlock x 115 | C  Dowel (8x30) x 34 |
| D  Drawer slider 12" X 3 | E  3.5*12mm Screw x 50 | F  Ø20 Sticker x 30 |
| G  Back Panel Stiffener x 22 | H  3M x 12 | I  Protective Feet x 16 |
| J  Door Hinge x 4 | K  4*30mm Screw x 12 | L  5*45mm Screw x 10 |
| M  Handle & Fixings x 2 | N  Shelf Support Pin x 36 | O  Handle & Fixings x 4 |
| P  6*50mm Screw x 8 | Q  Ø10x10mm x 8 | R  Pulley x 2 |
| S  Plate x 2 | T  4*12mm Screw x 8 | U  Dowel (8x50) x 2 |
| V  Wall Fixing Pack x 2 | W  Socket x1 | X  Glue Thread Clasp x 4 |
| Y  4*25mm Screw x 4 | Z  x 1 |  M4 x 1 |



Phillips screwdriver
(medium & large)

Ruler - Use this ruler to help correctly identify the screws

0 5 10 15 20 25 30 35 40 45 50 55 60 65 70 75 80 85 90 95 100 105 110 115 120 125 130 135 140 145 150 155 160 165 170



The screws length is measured from the head to the point (30mm screw shown).

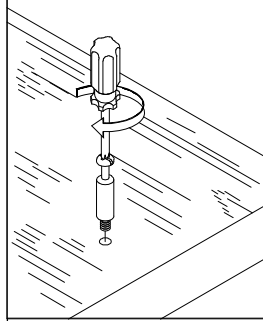
Using Camlocks

Step 1

Connect the male camlock as directed in the assembly instructions using a screwdriver.

1

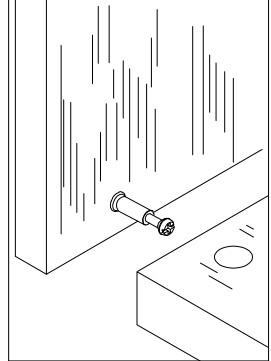
DO NOT OVER TIGHTEN.
NE PAS SERRER EXCESSIVEMENT.



Step 2

Push the male camlock into the entry hole.

2

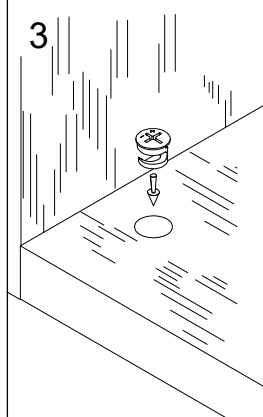


Step 3

Insert the female camlock as shown in the instruction.

Note: ensure that the arrow on the top of the camlock points towards the entry hole for the male camlock.

3



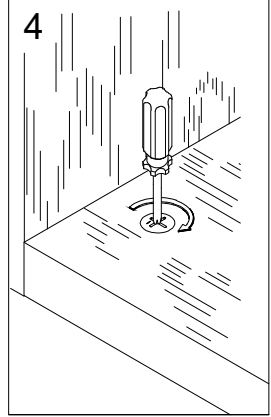
Step 4

Turn the female camlock clockwise with a screwdriver.

You should feel a click when the camlock is locked in place.

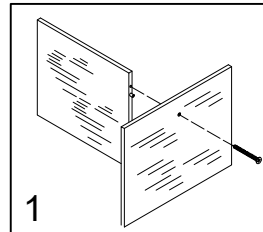
The joint is now secure.

4



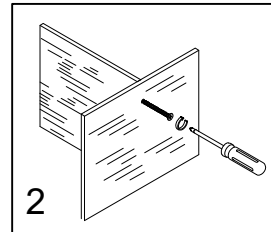
Step 1

1

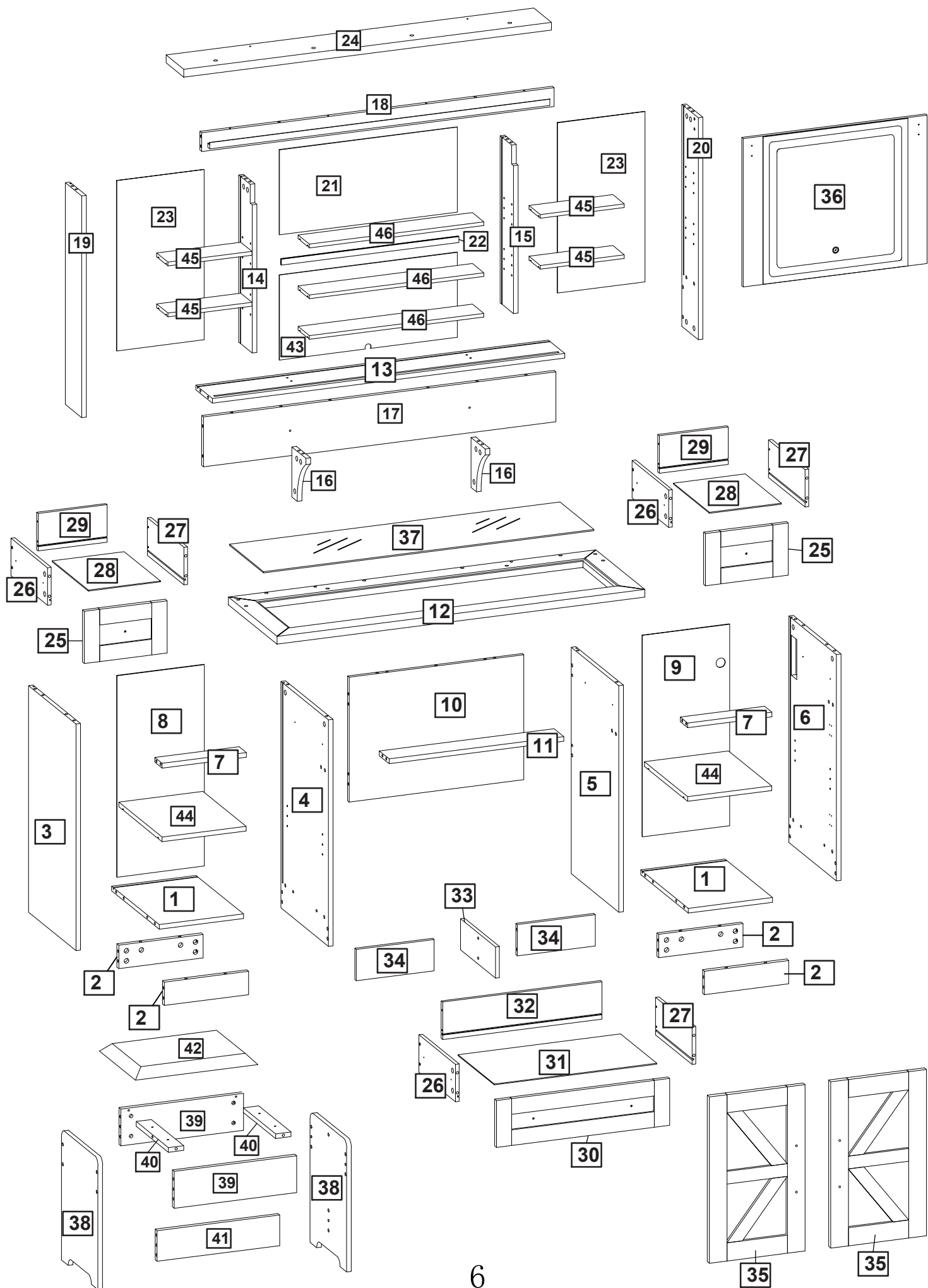


Step 2

2

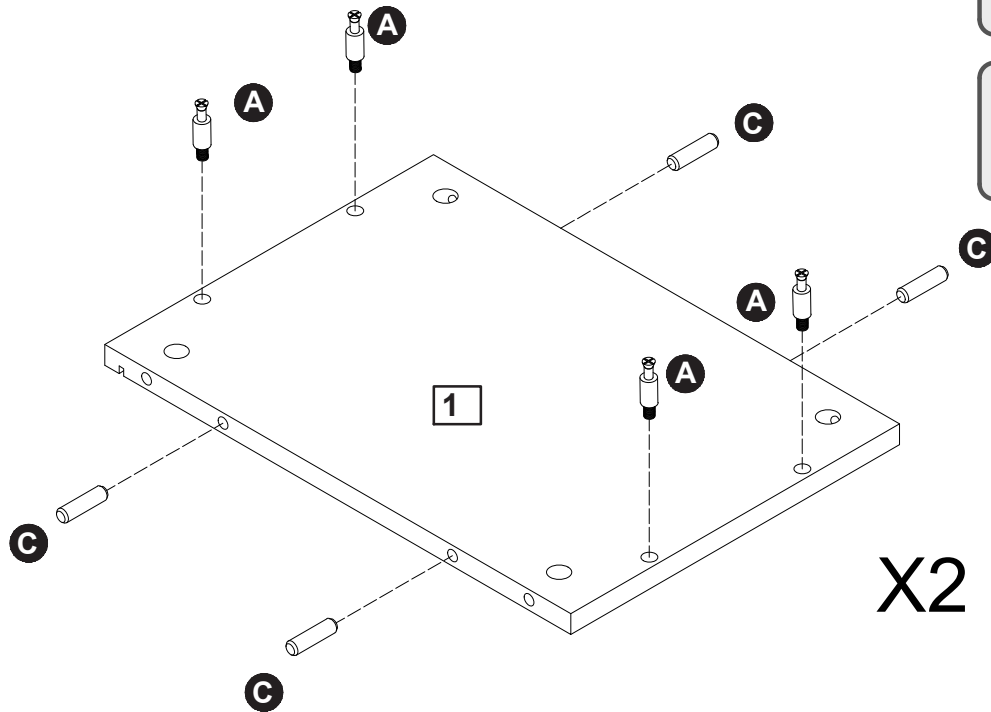


Assembly Instructions



Assembly Instructions

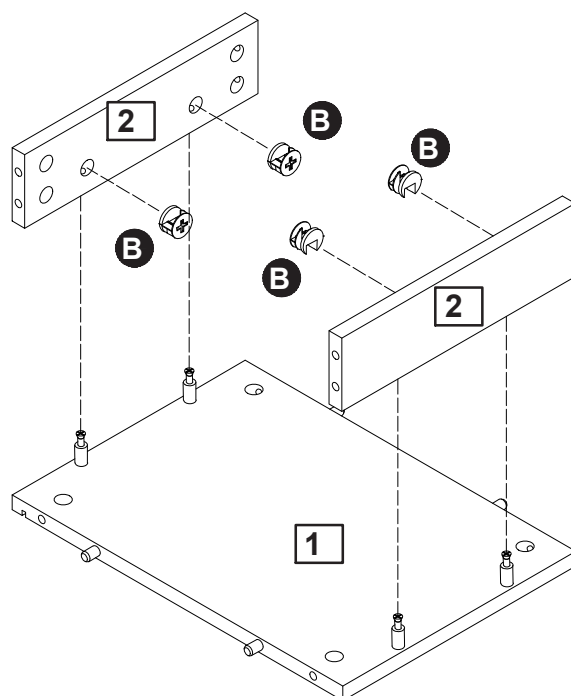
Step 1



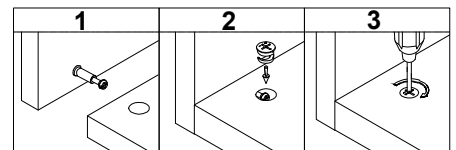
A 
A x 8

C 
C x 8

Step 2



B 
B x 8

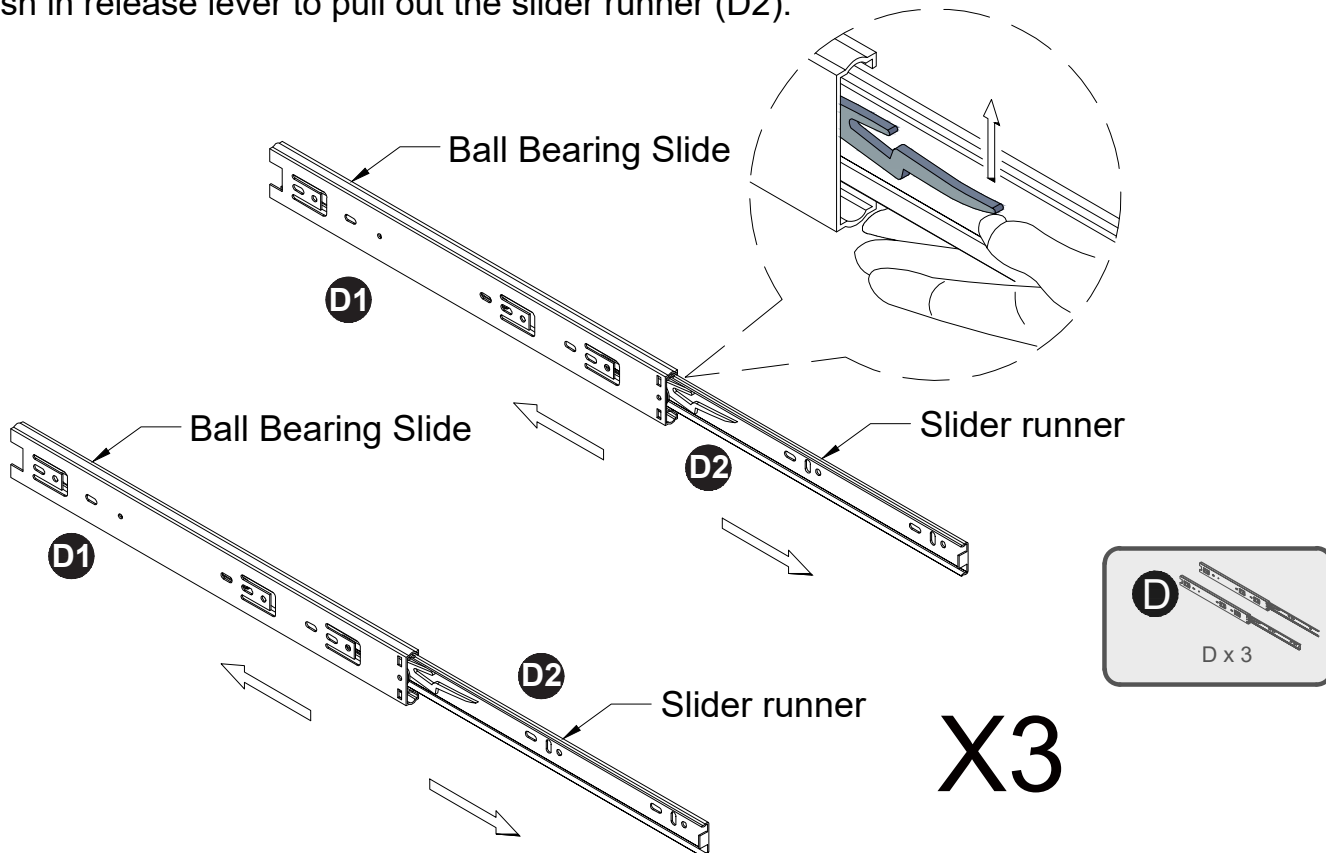


X2

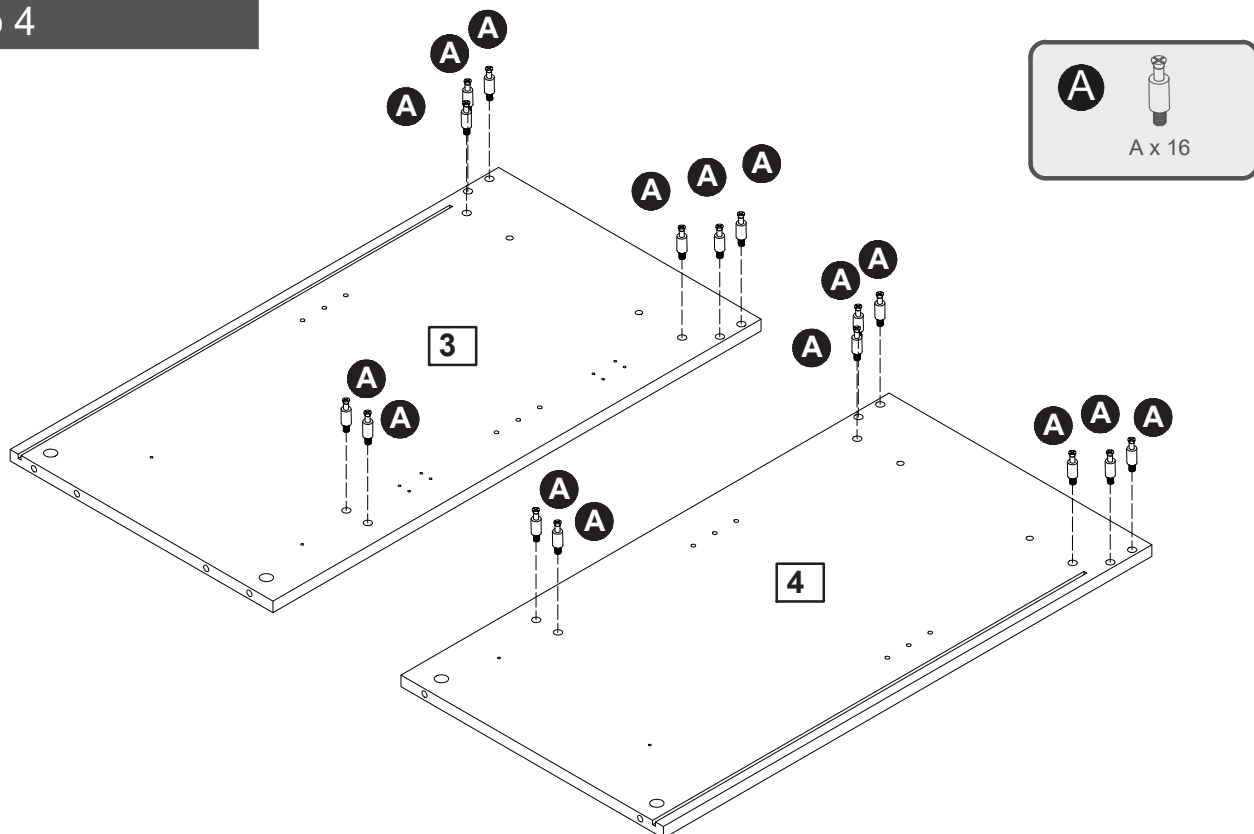
Assembly Instructions

Step 3

Push in release lever to pull out the slider runner (D2).

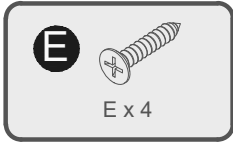


Step 4



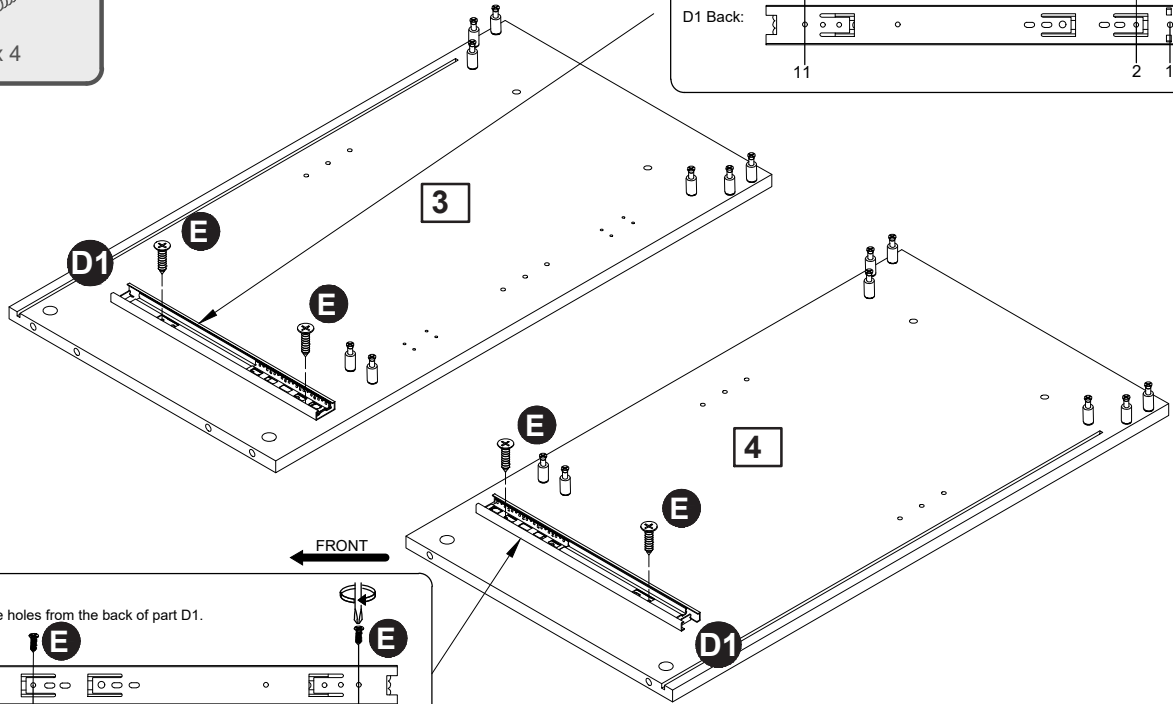
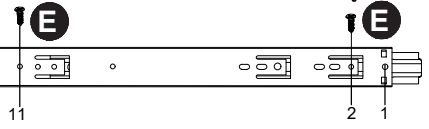
Assembly Instructions

Step 5



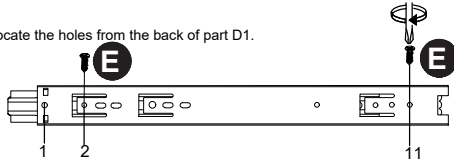
Attention:
1. Please locate the holes from the back of part D1.

D1 Back:

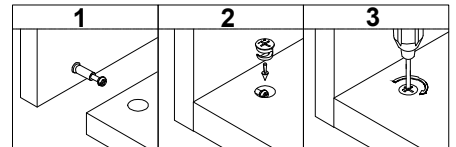
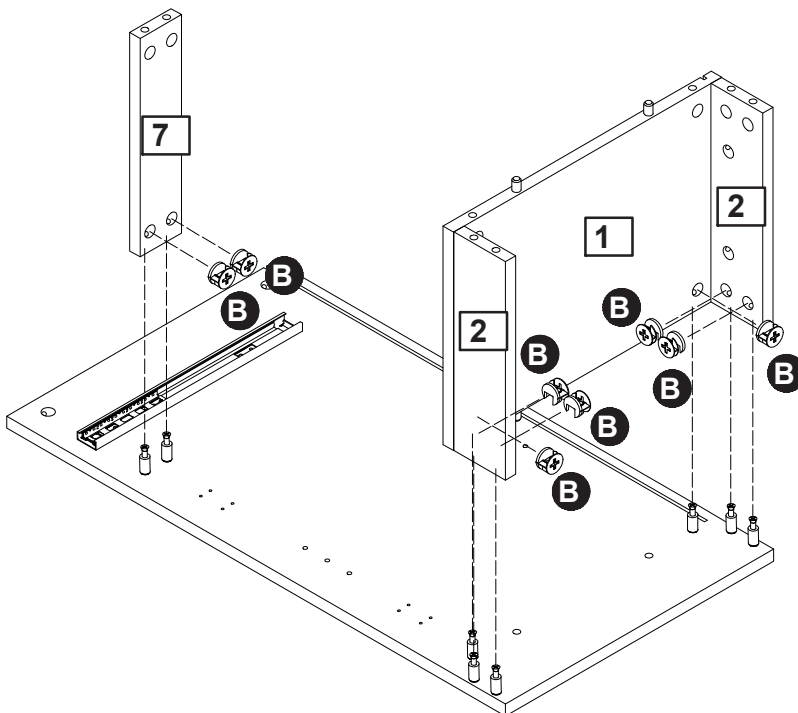


Attention:
1. Please locate the holes from the back of part D1.

D1 Back:

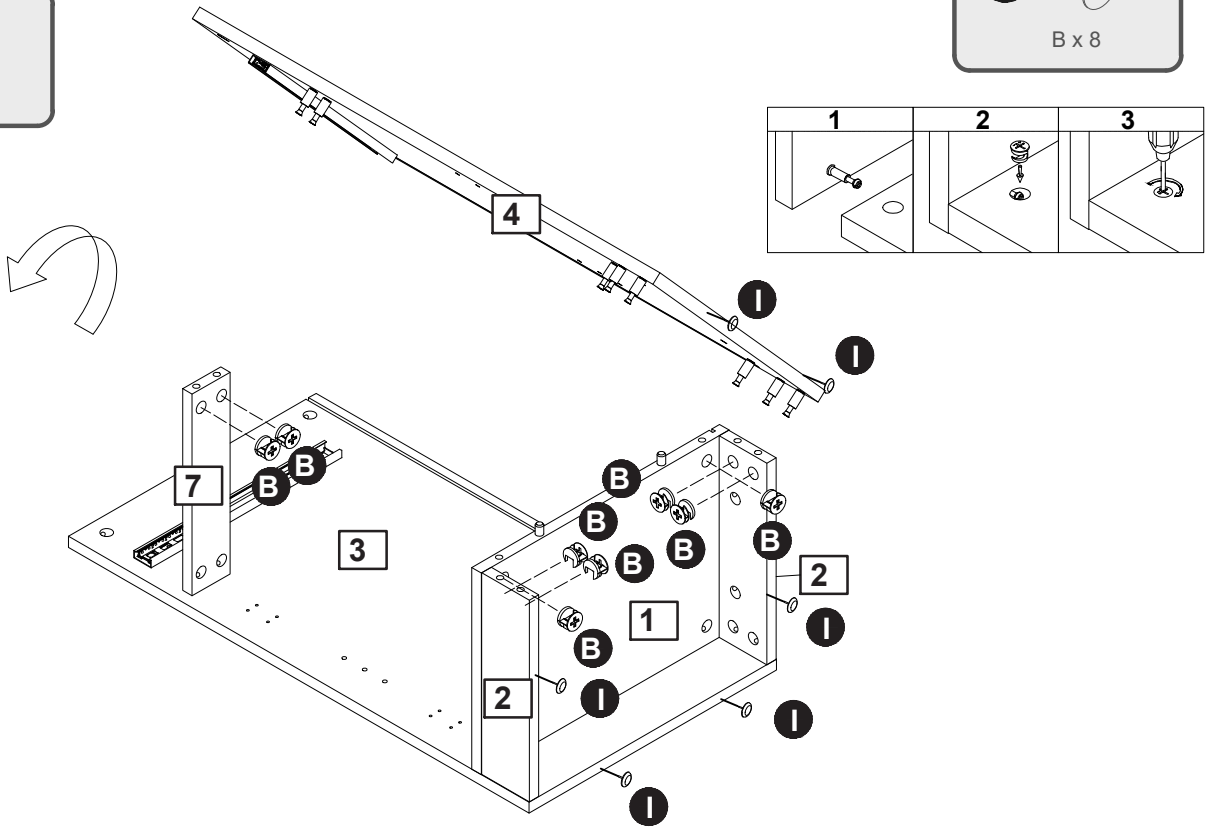


Step 6

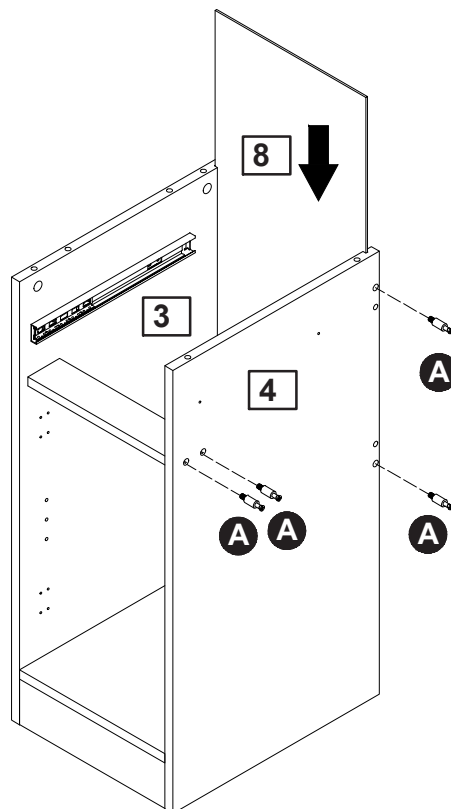
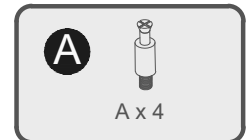


Assembly Instructions

Step 7

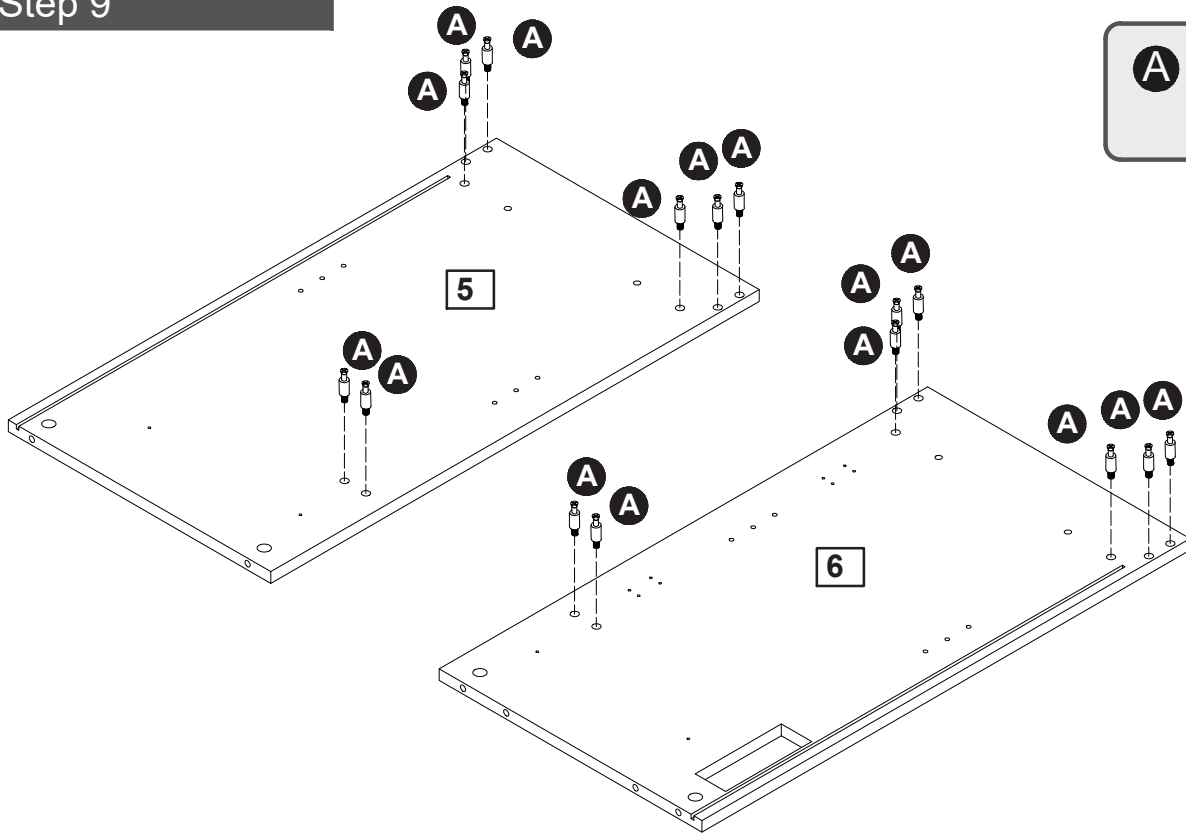


Step 8

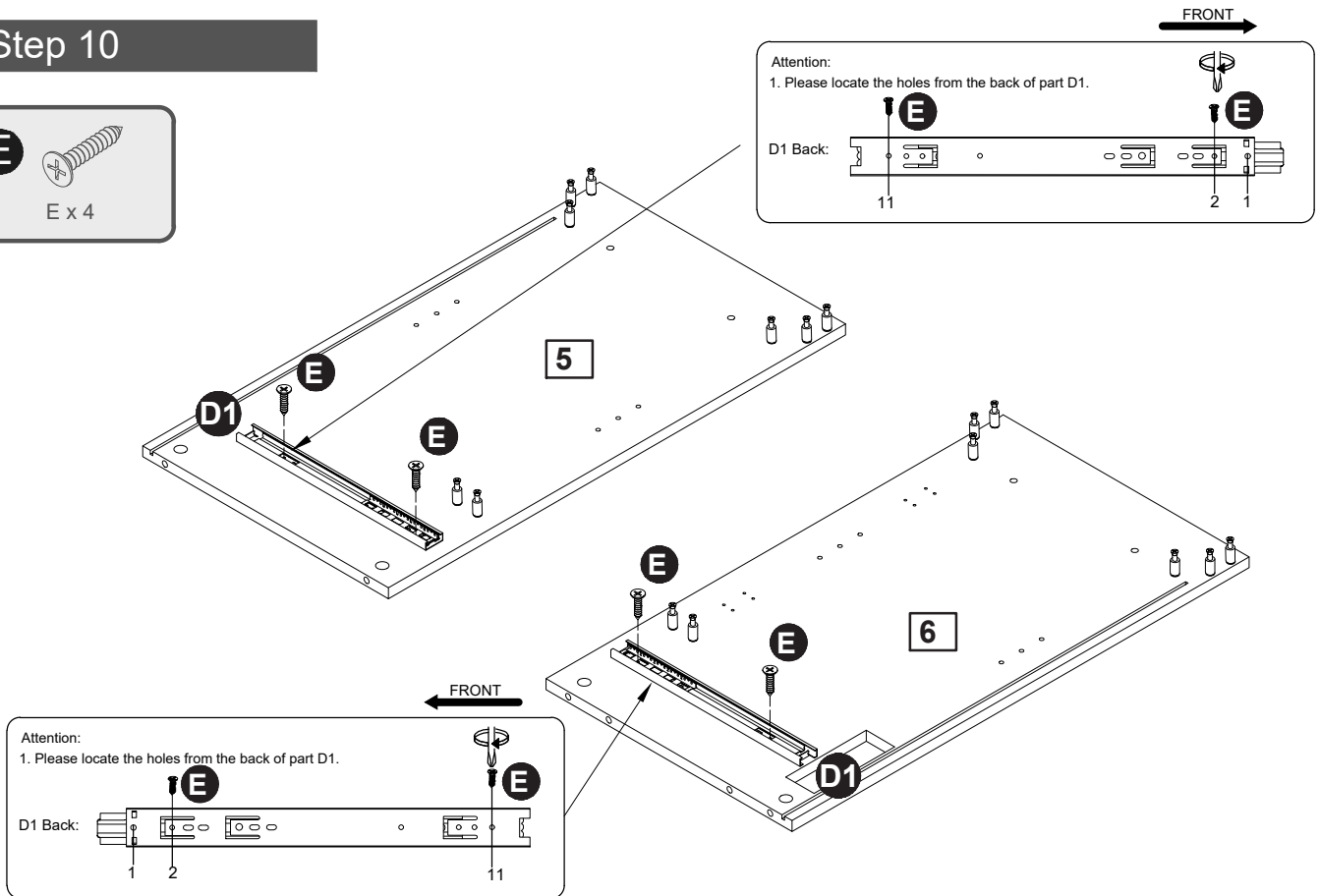


Assembly Instructions

Step 9

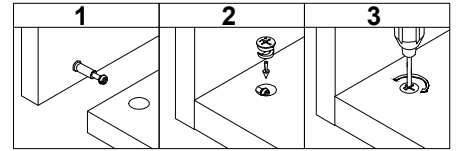
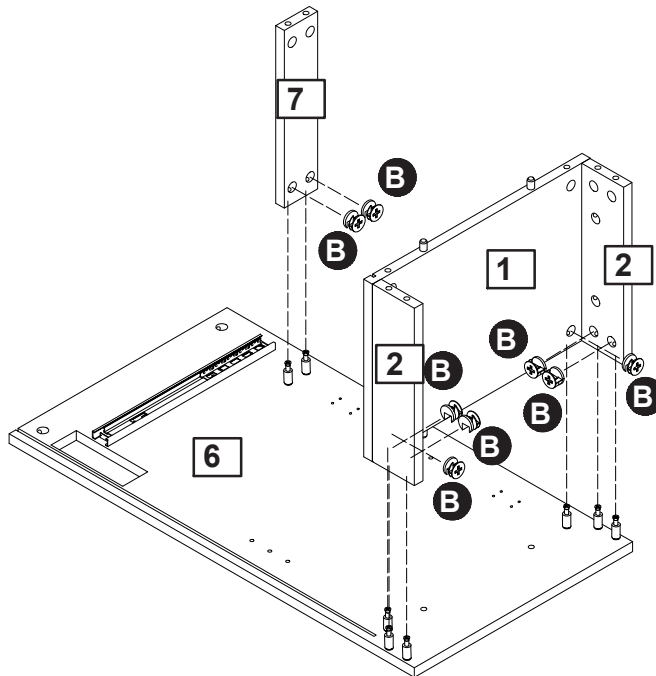


Step 10

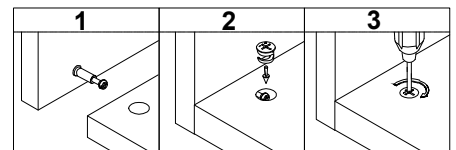
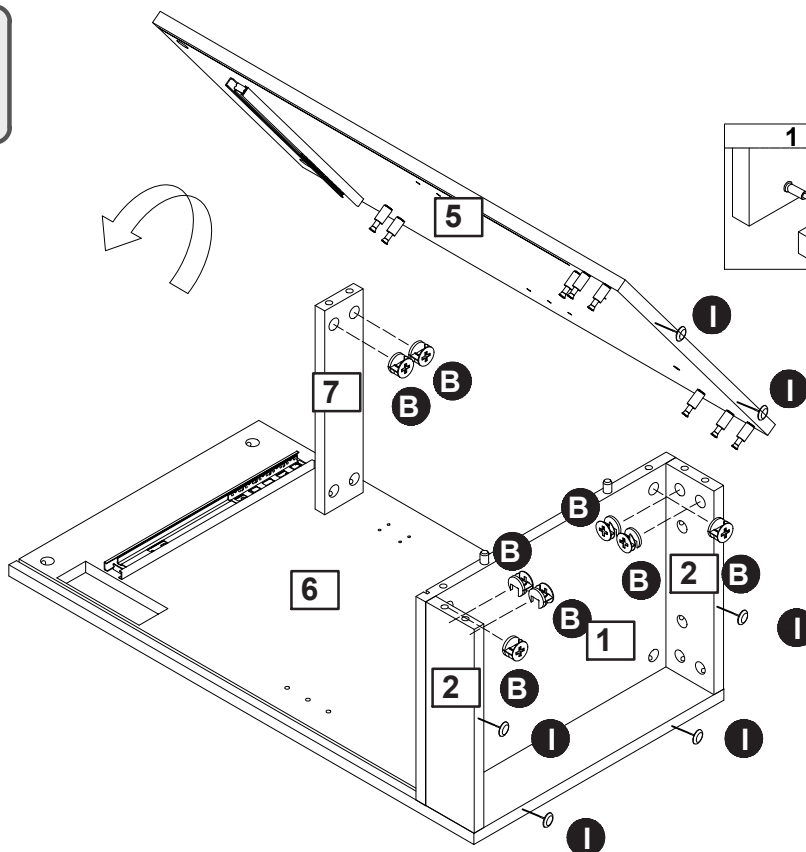


Assembly Instructions

Step 11

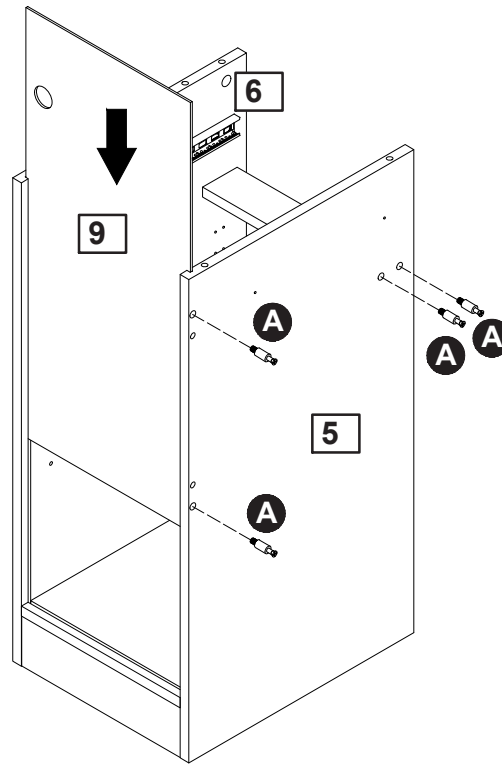
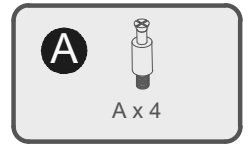


Step 12

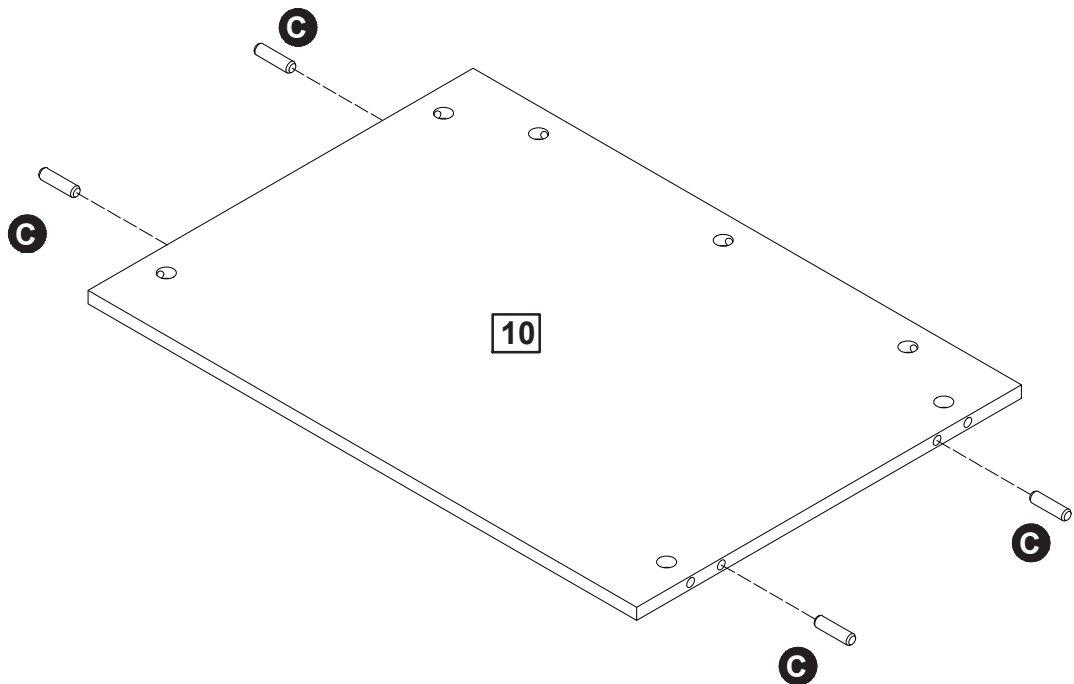


Assembly Instructions

Step 13

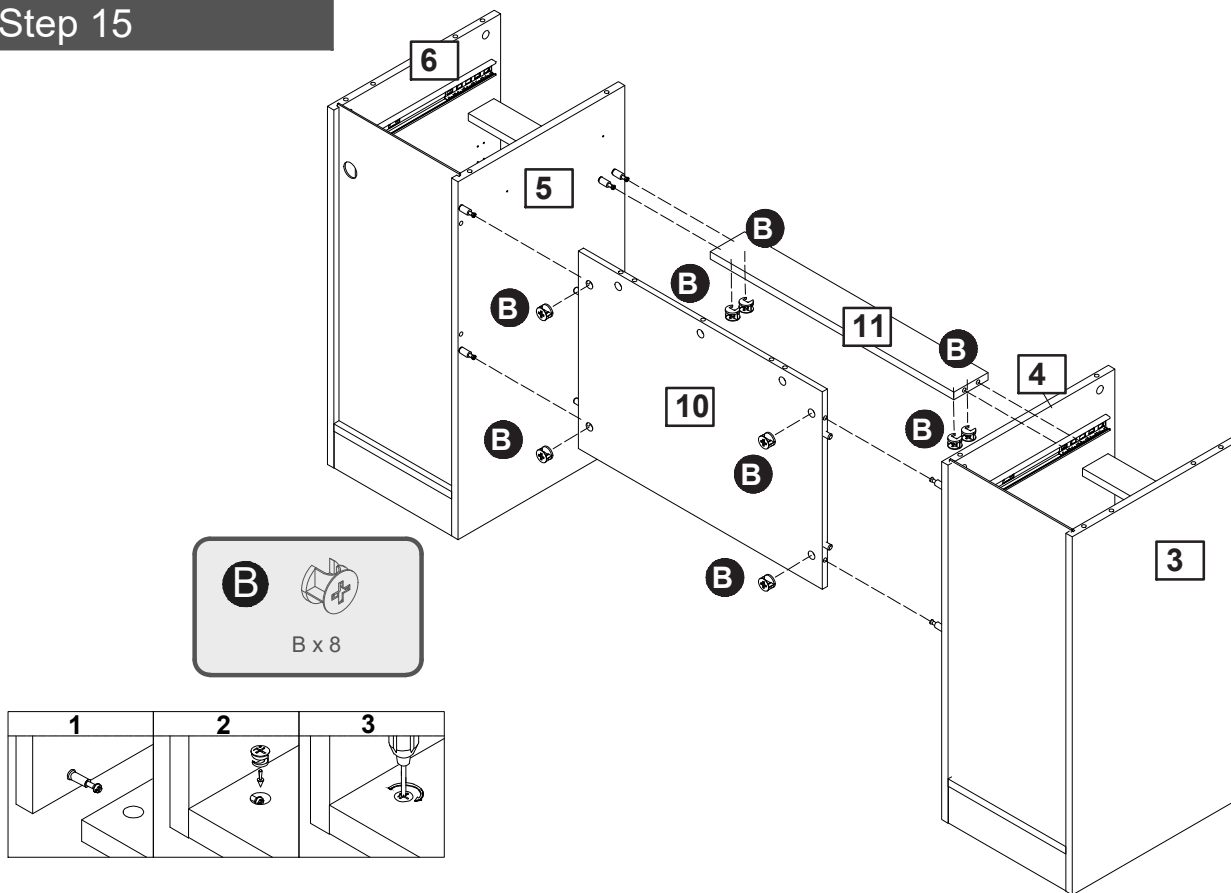


Step 14

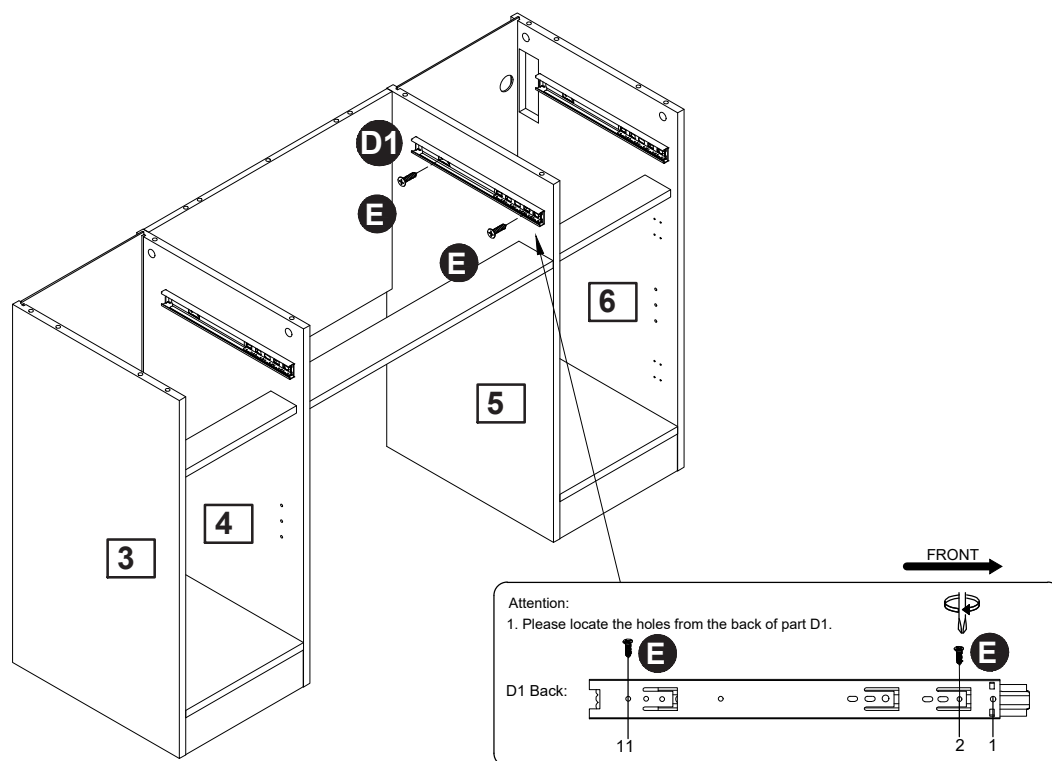


Assembly Instructions

Step 15

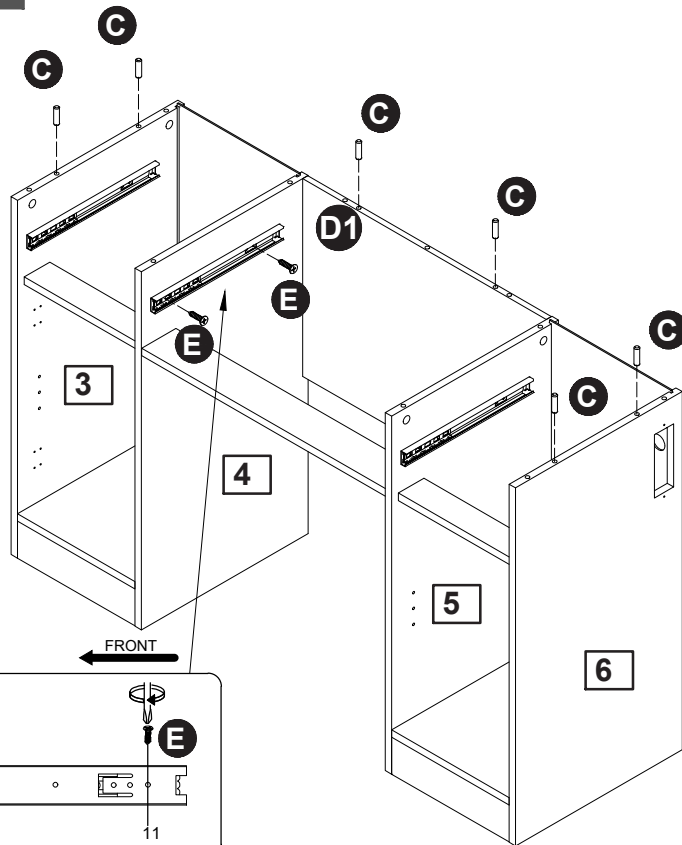


Step 16



Assembly Instructions

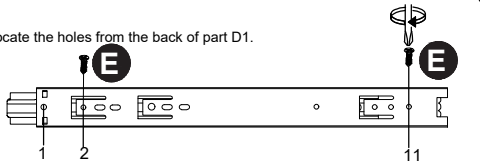
Step 17



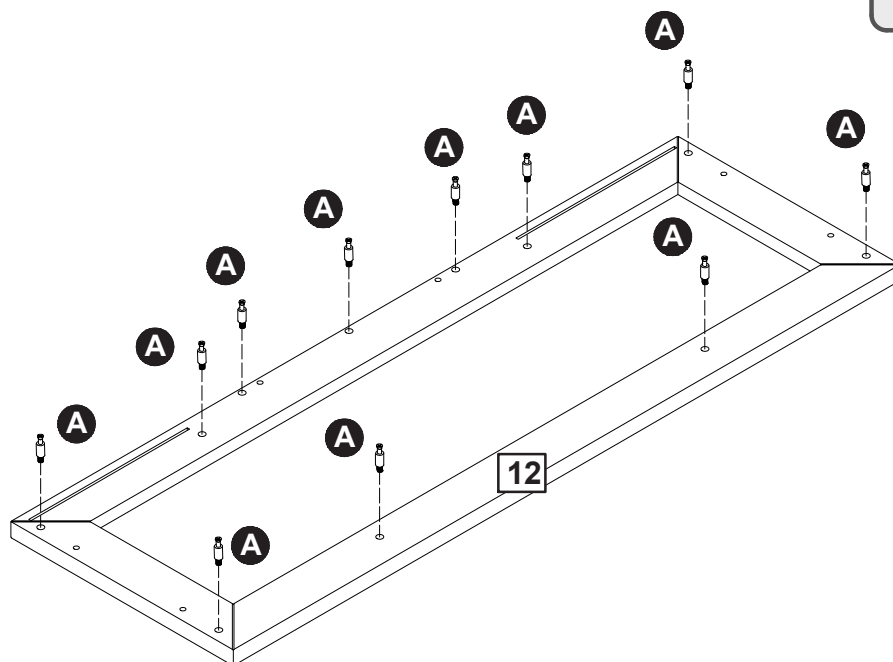
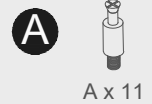
Attention:

1. Please locate the holes from the back of part D1.

D1 Back:

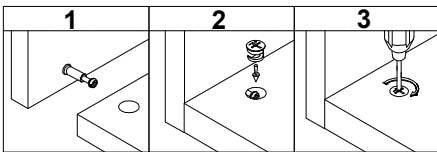
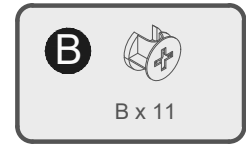
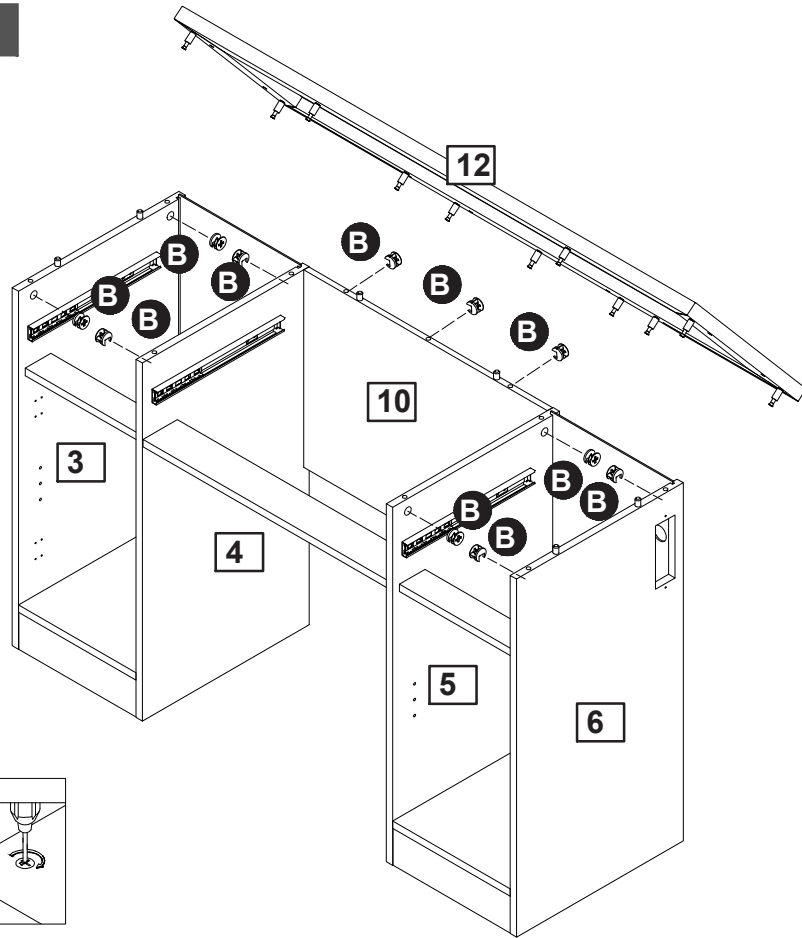


Step 18

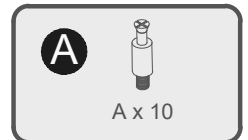
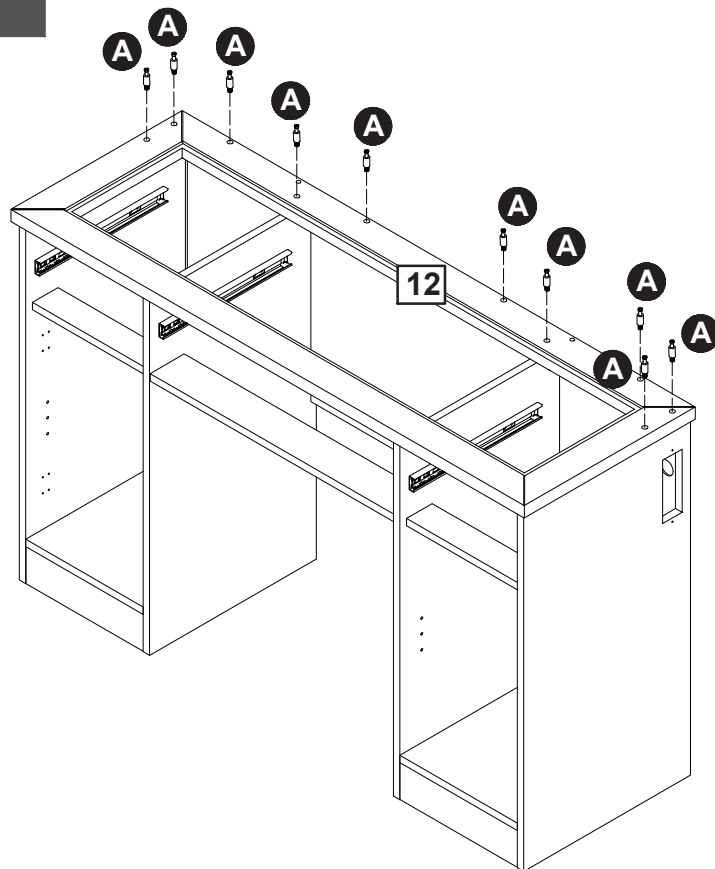


Assembly Instructions

Step 19



Step 20



Assembly Instructions

Step 21

E

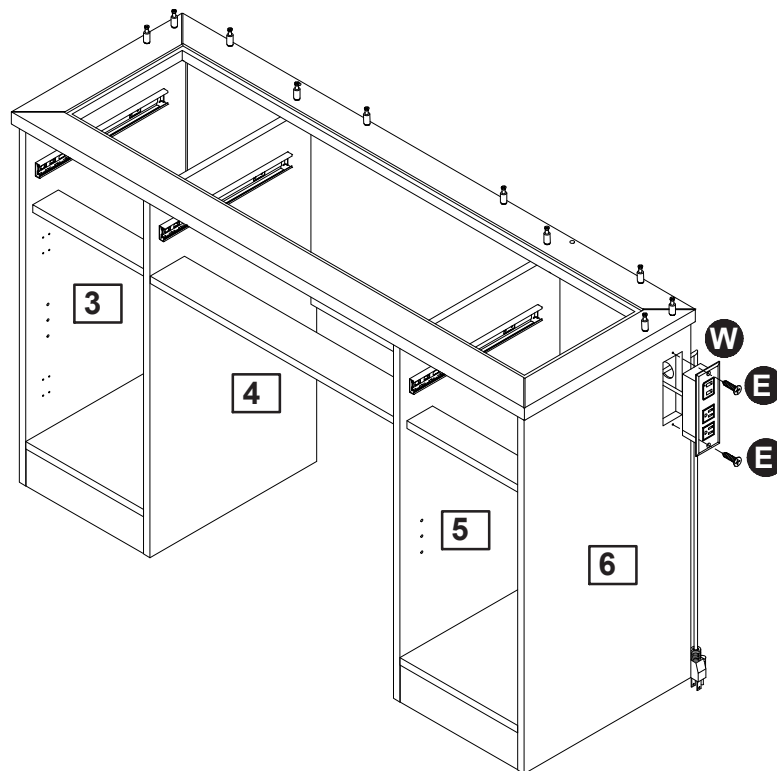


E x 2

W



W x 1

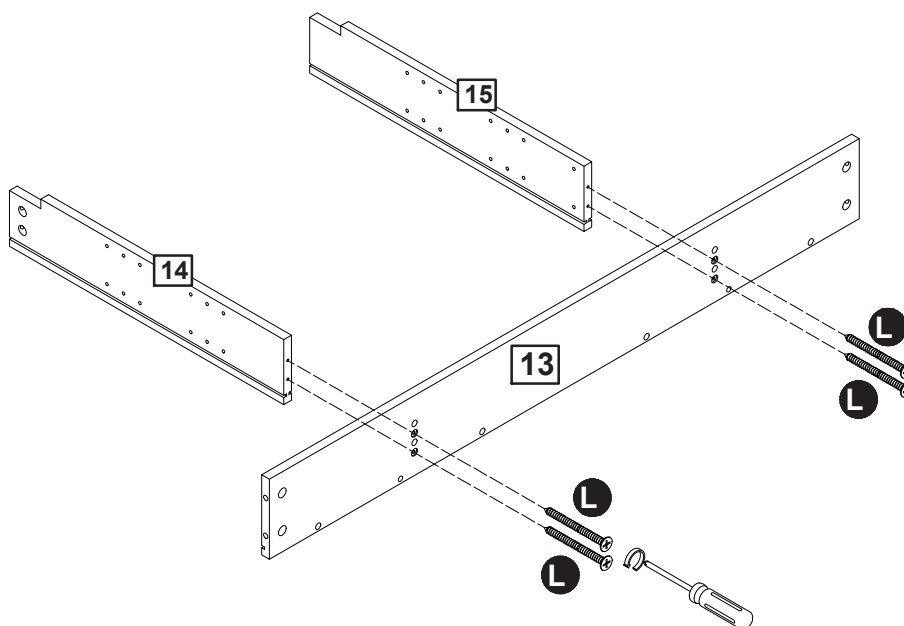


Step 22

L

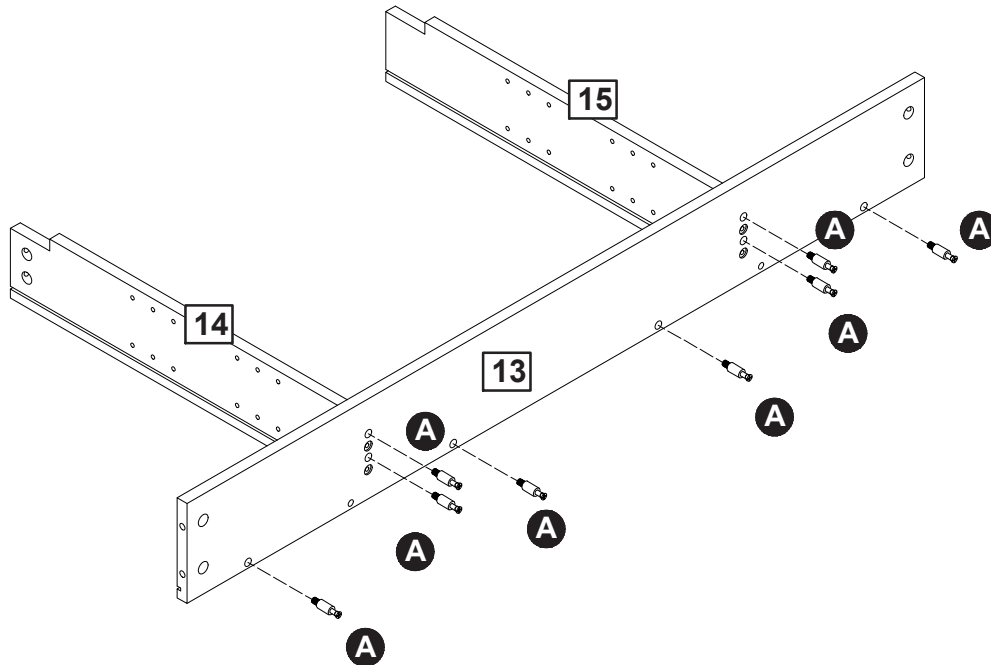
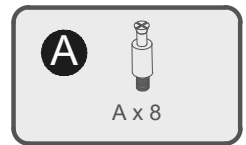


L x 4

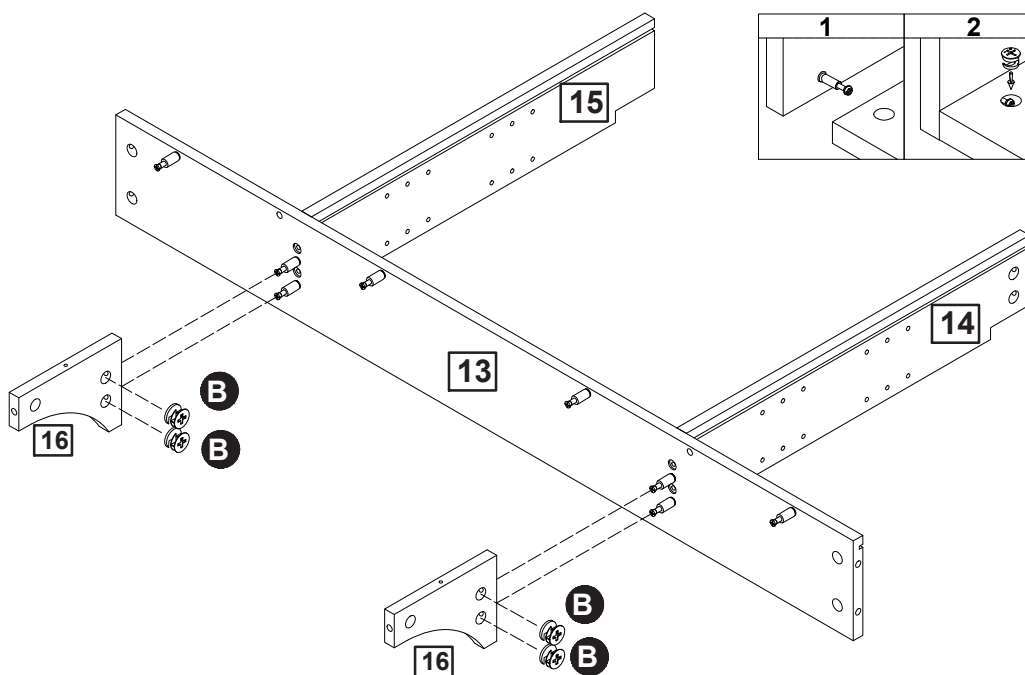
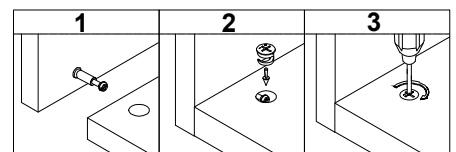


Assembly Instructions

Step 23

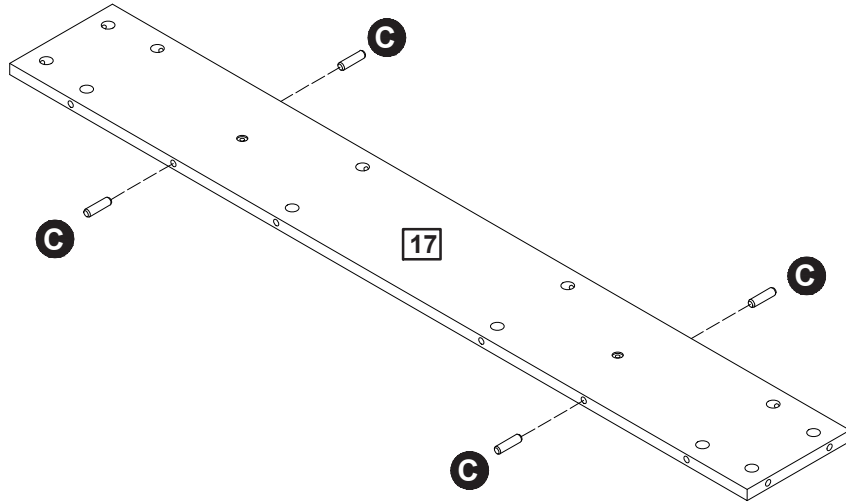
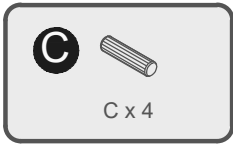


Step 24

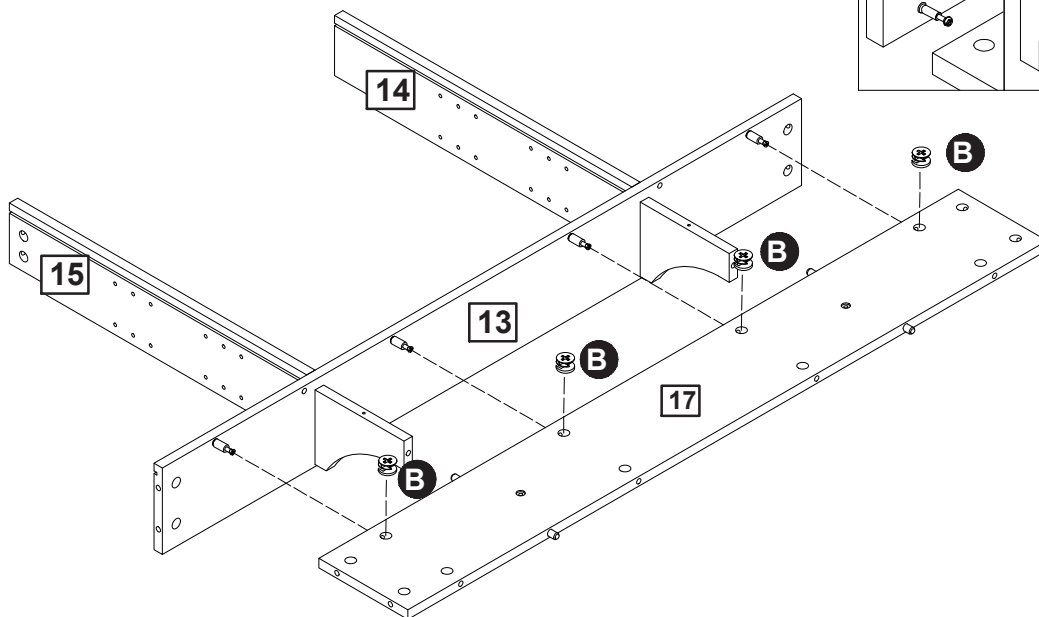
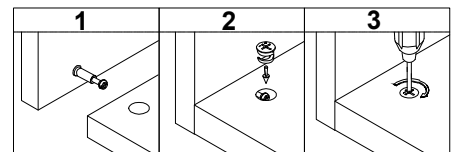


Assembly Instructions

Step 25

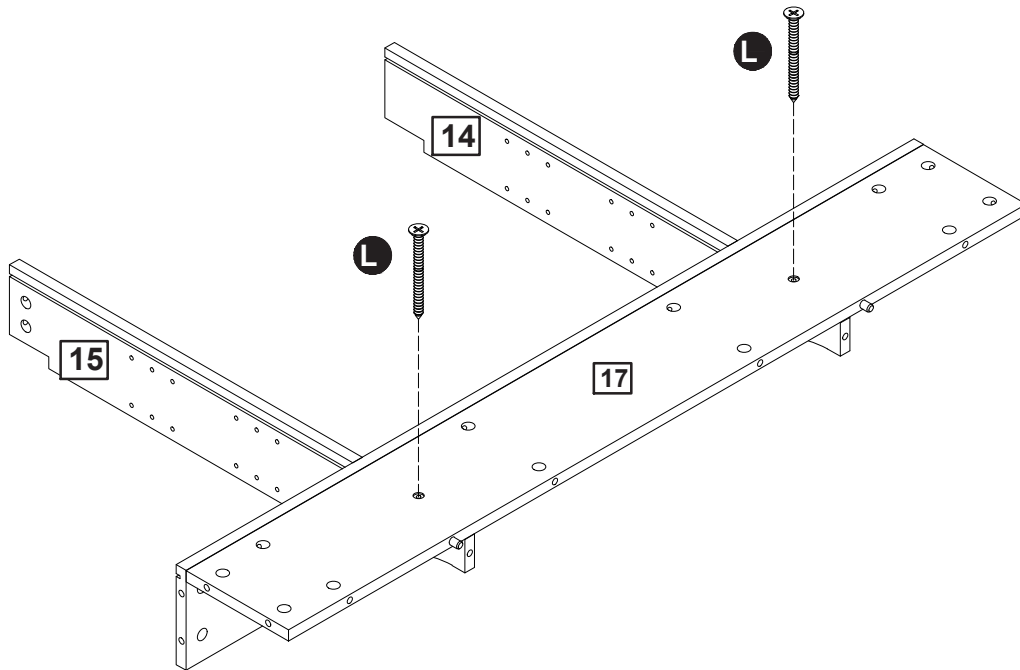


Step 26

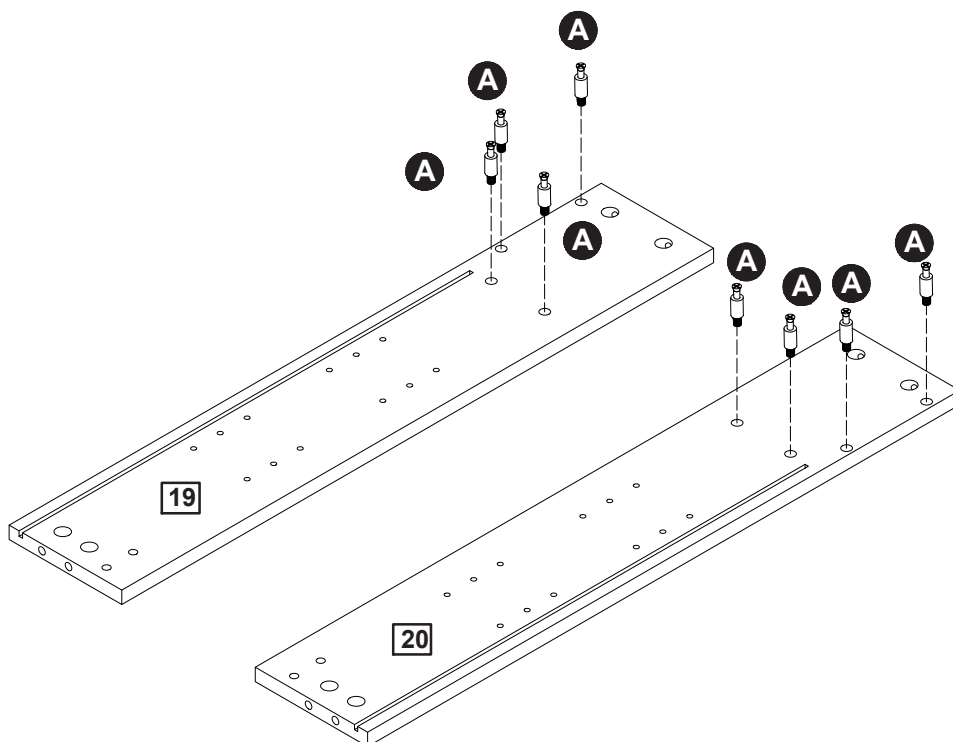
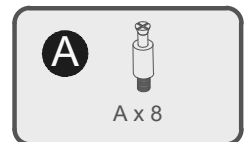


Assembly Instructions

Step 27

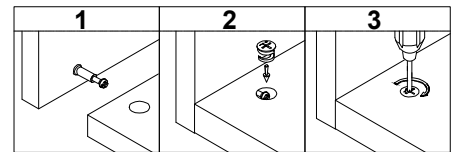
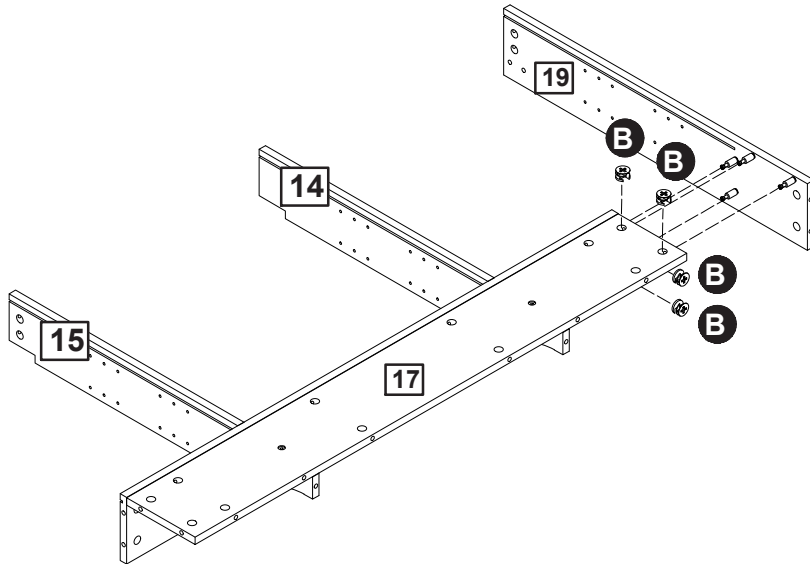


Step 28

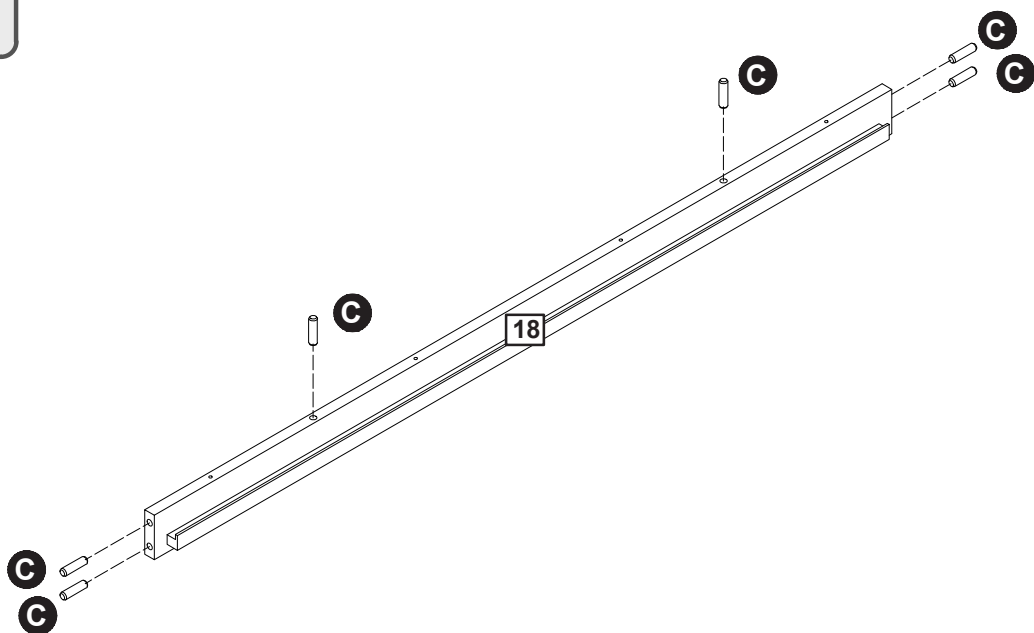
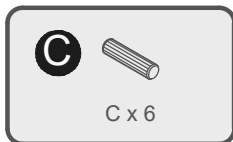


Assembly Instructions

Step 29

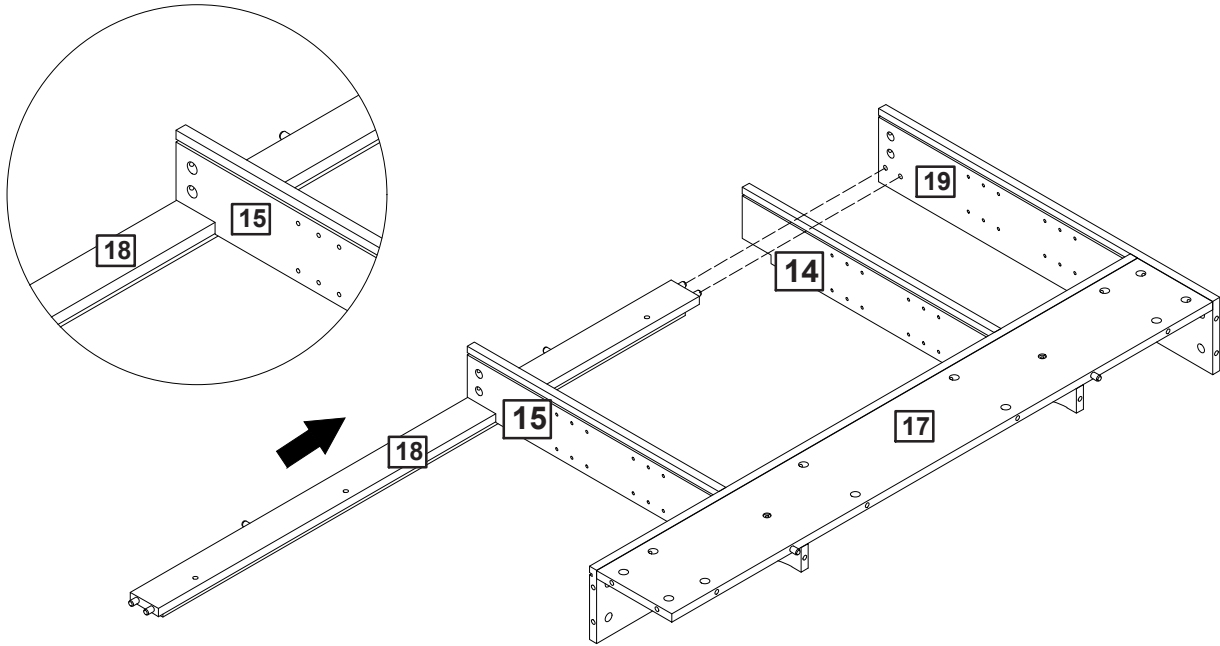


Step 30

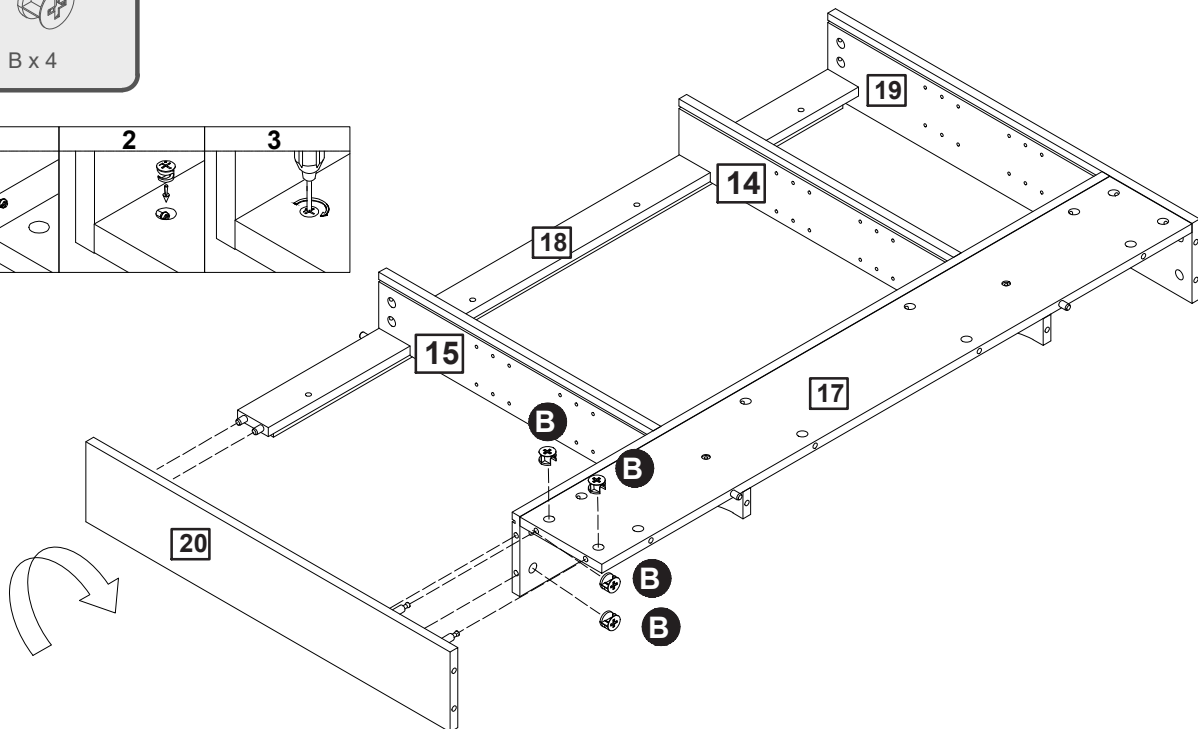
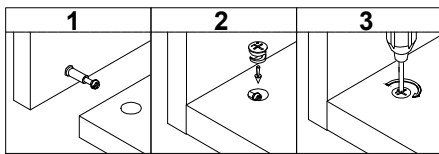


Assembly Instructions

Step 31

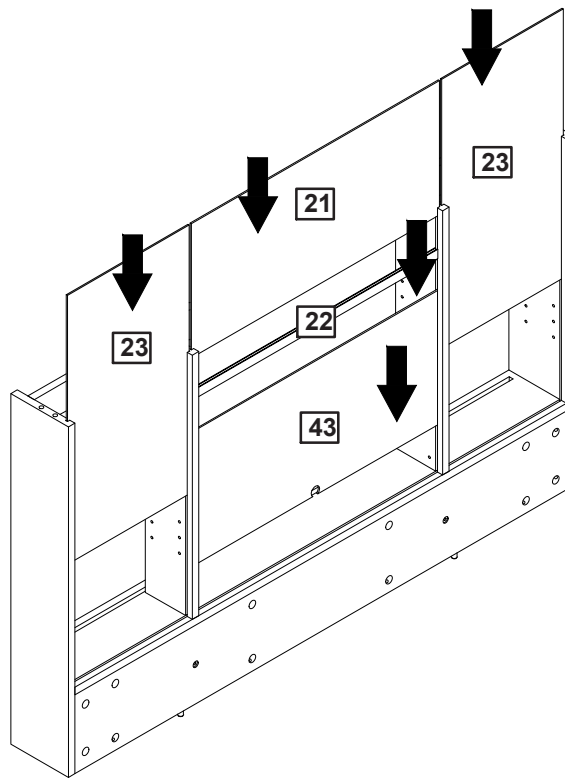


Step 32

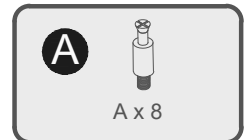
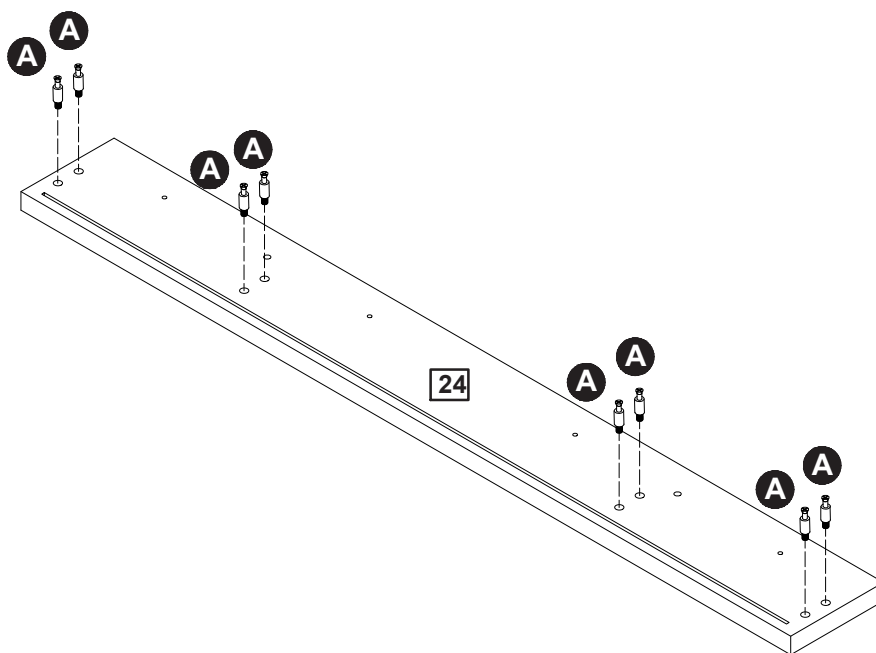


Assembly Instructions

Step 33

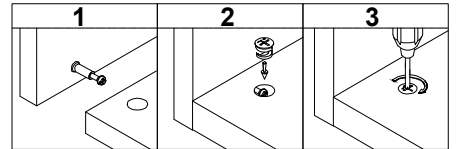
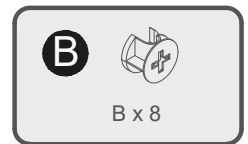
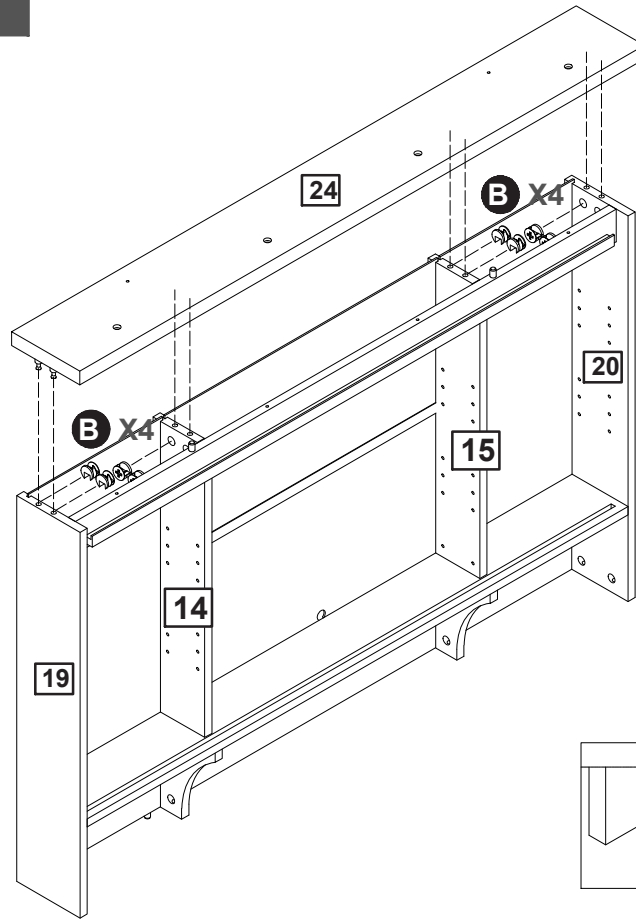


Step 34

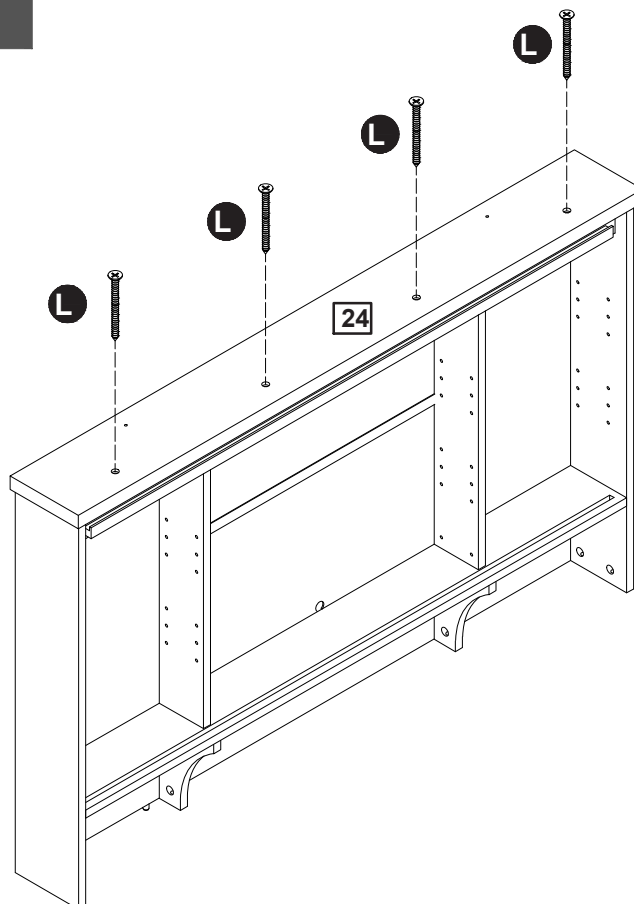


Assembly Instructions

Step 35



Step 36

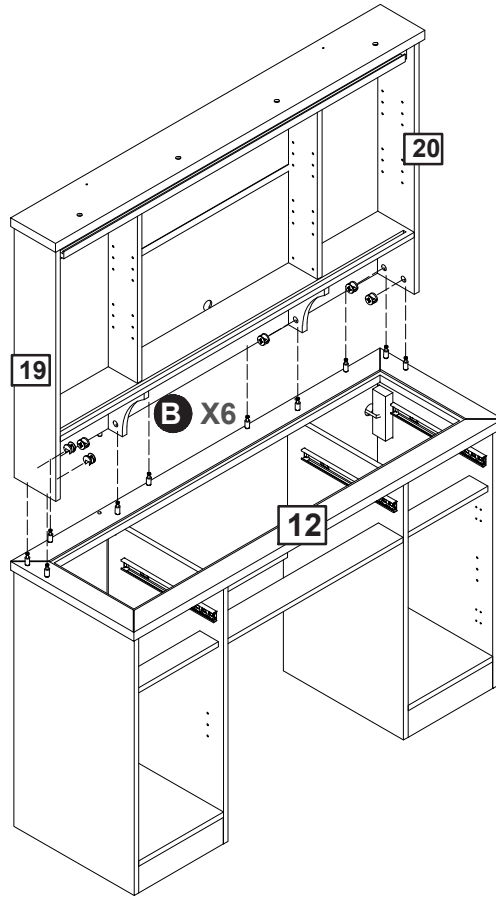


Assembly Instructions

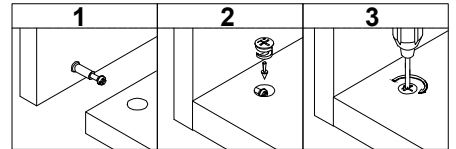
Step 37



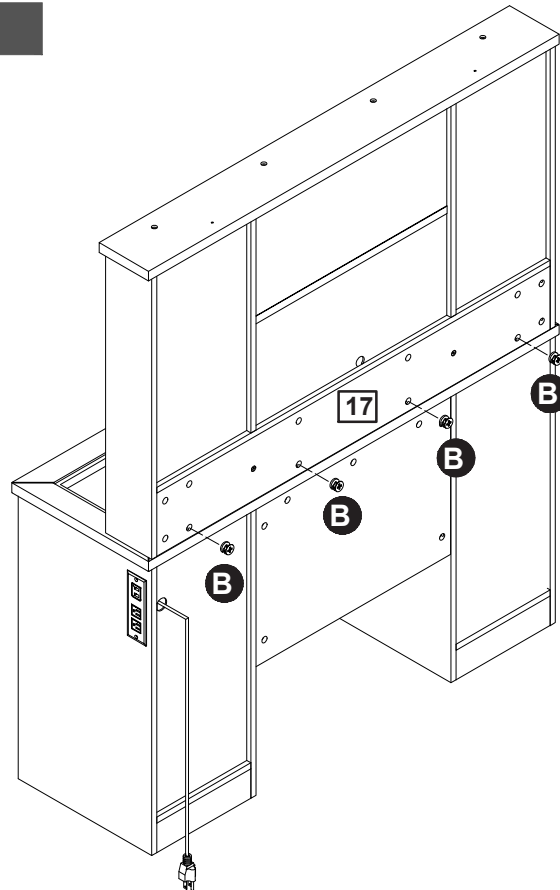
Two people are required to assemble and move this model.



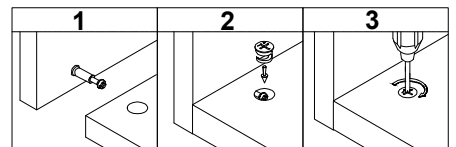
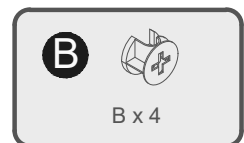
FRONT



Step 38

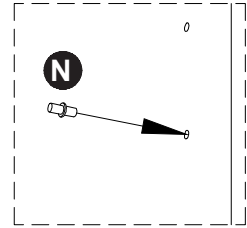
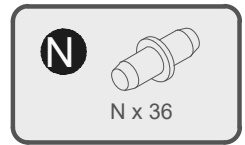
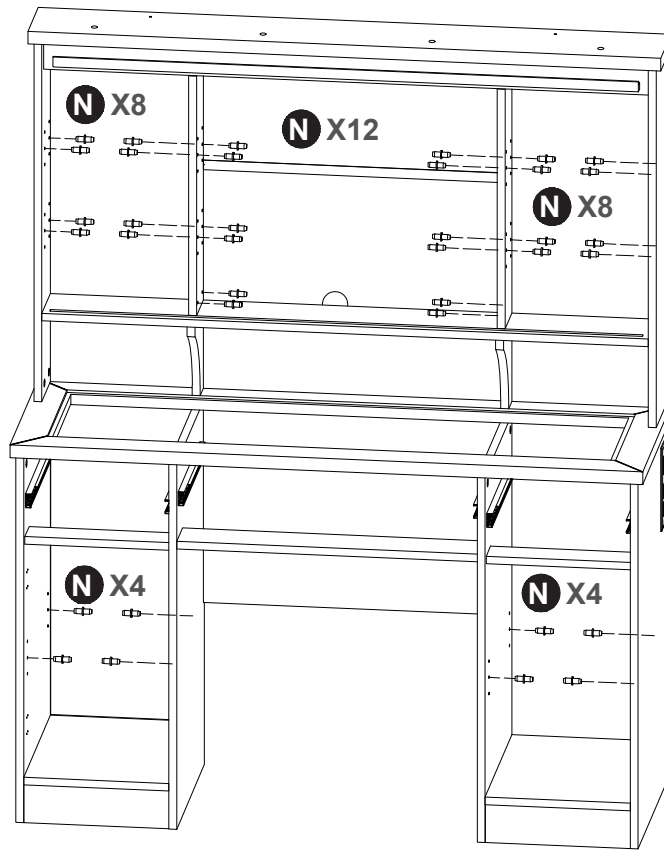


BACK

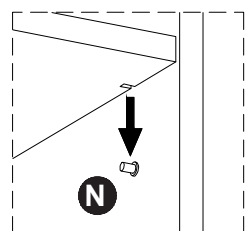
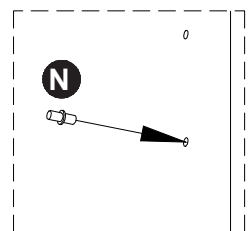
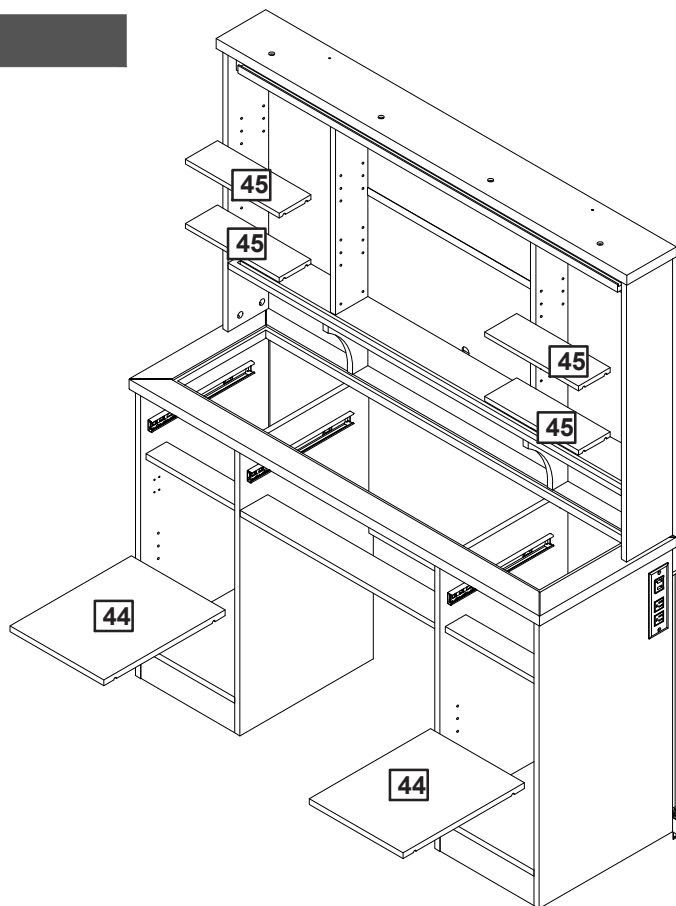


Assembly Instructions

Step 39

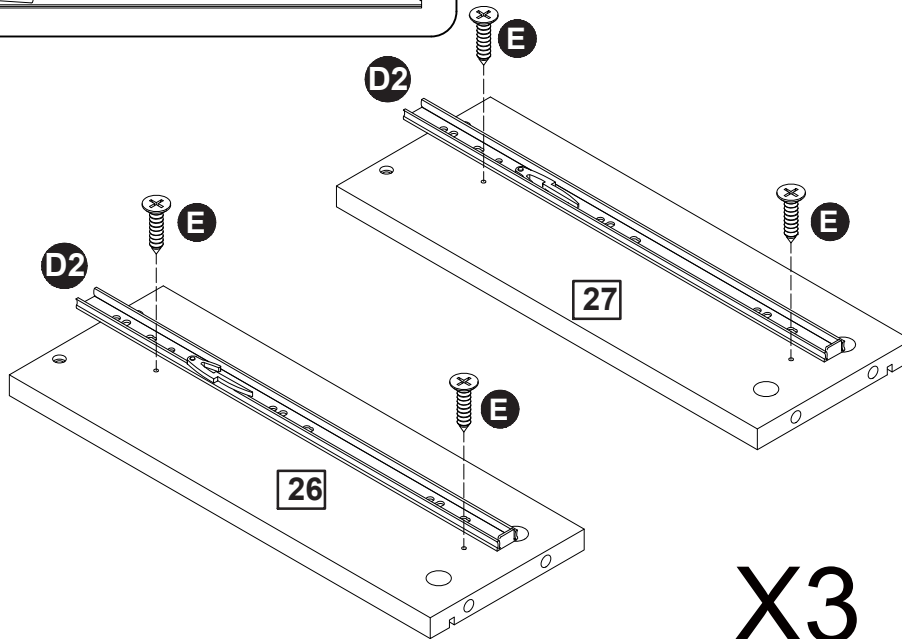
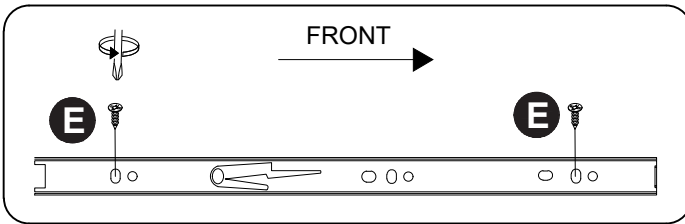


Step 40

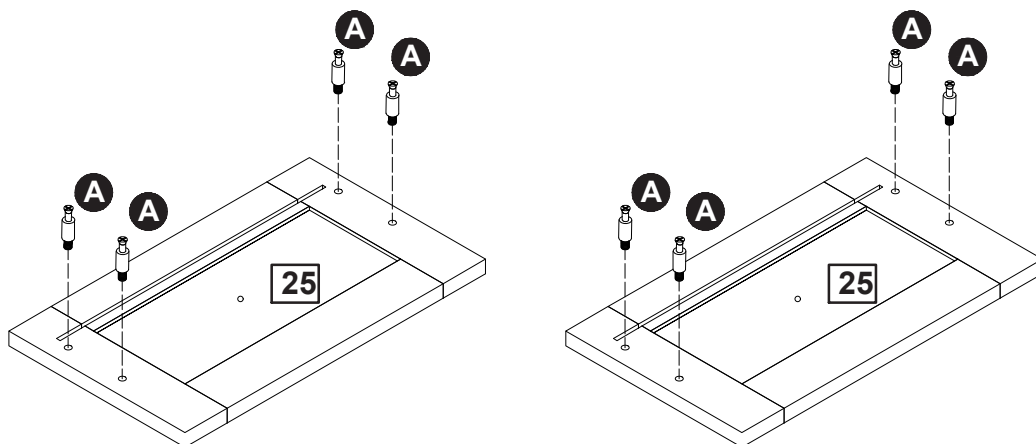
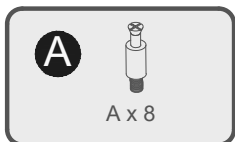


Assembly Instructions

Step 41



Step 42



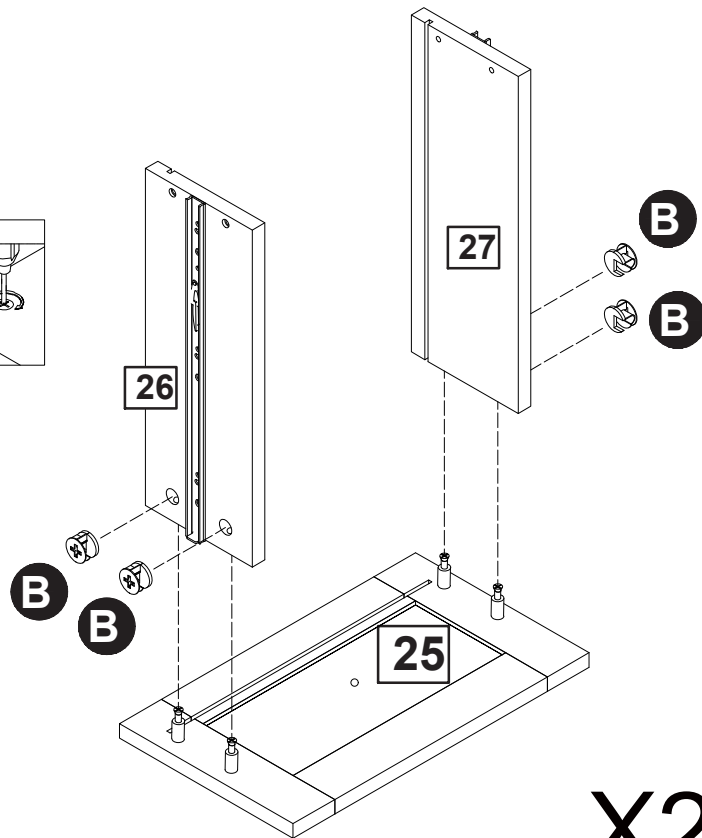
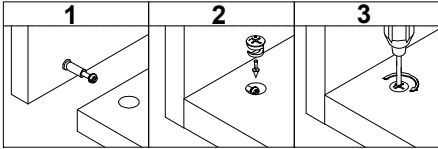
Assembly Instructions

Step 43

B

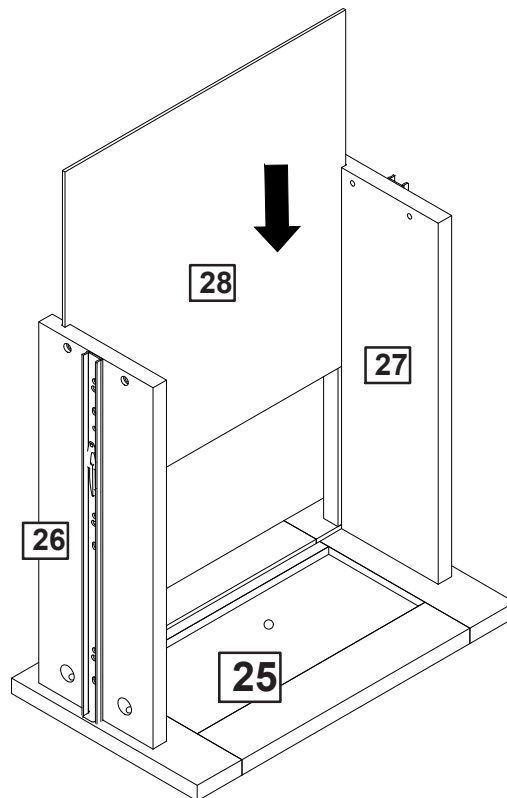


B x 8



X2

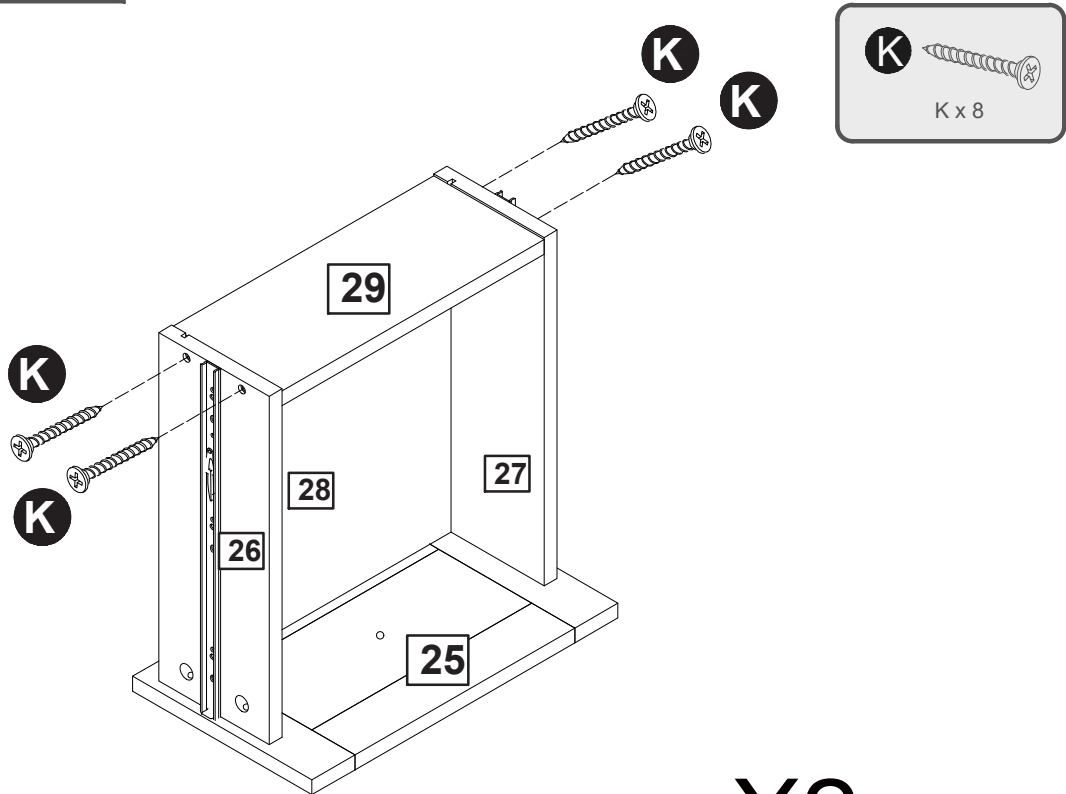
Step 44



X2

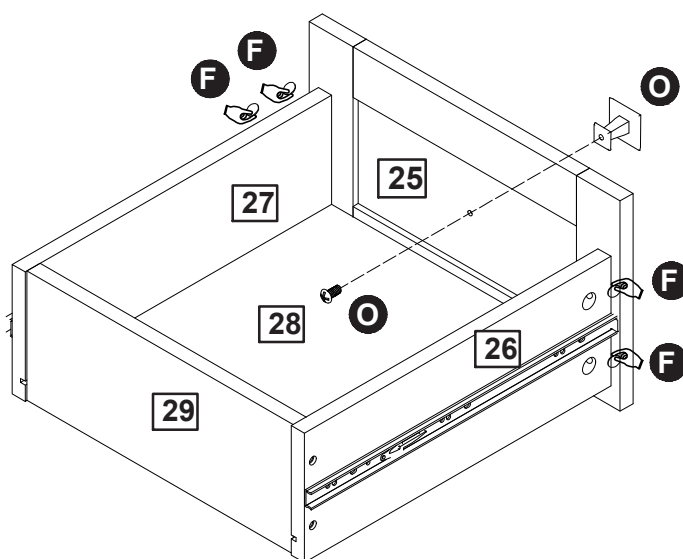
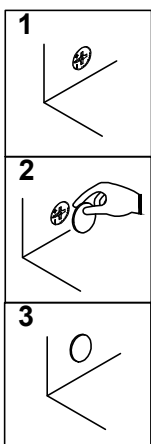
Assembly Instructions

Step 45



X2

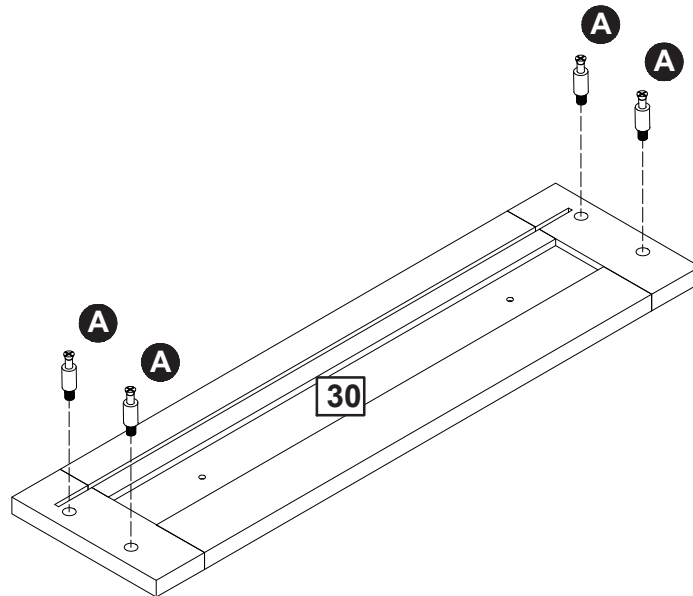
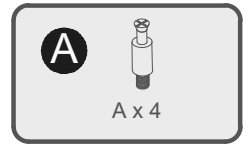
Step 46



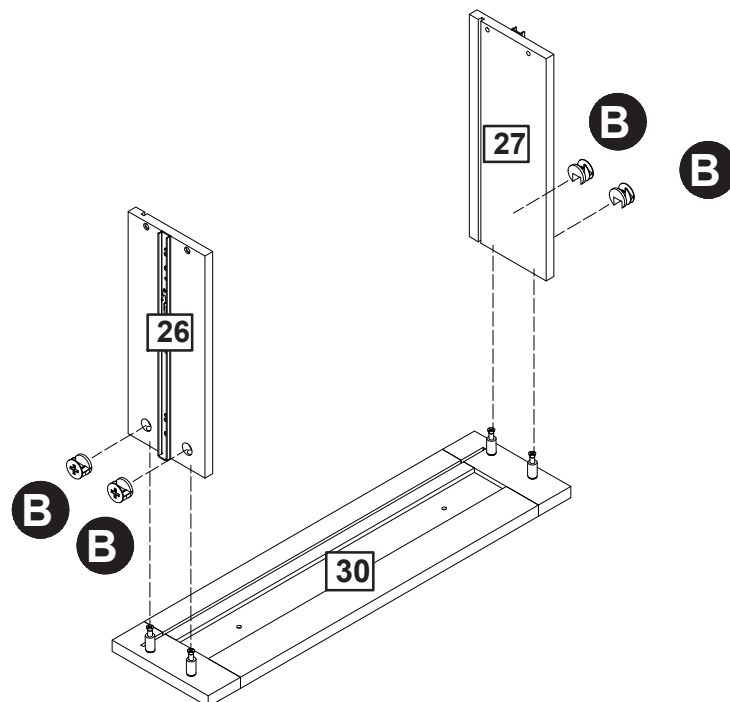
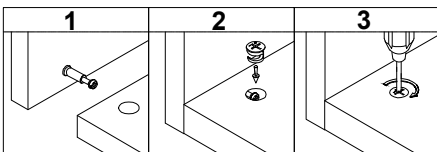
X2

Assembly Instructions

Step 47

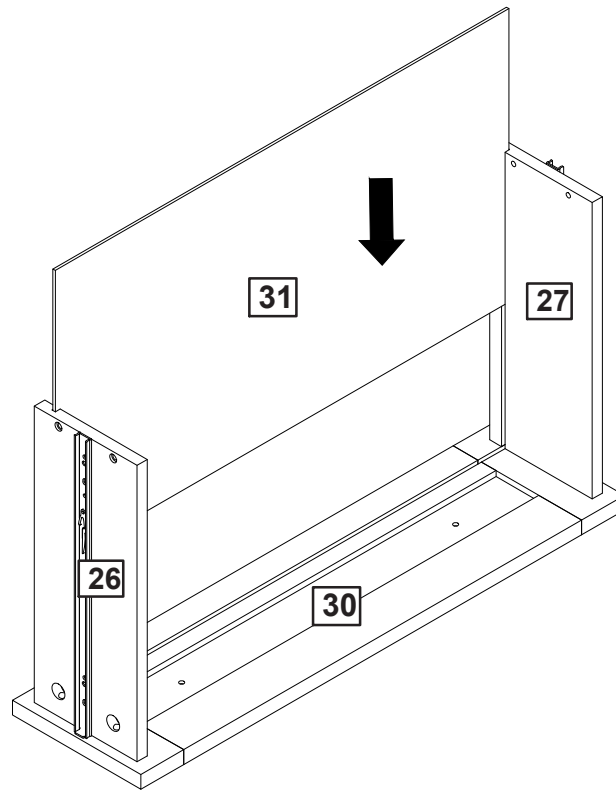


Step 48

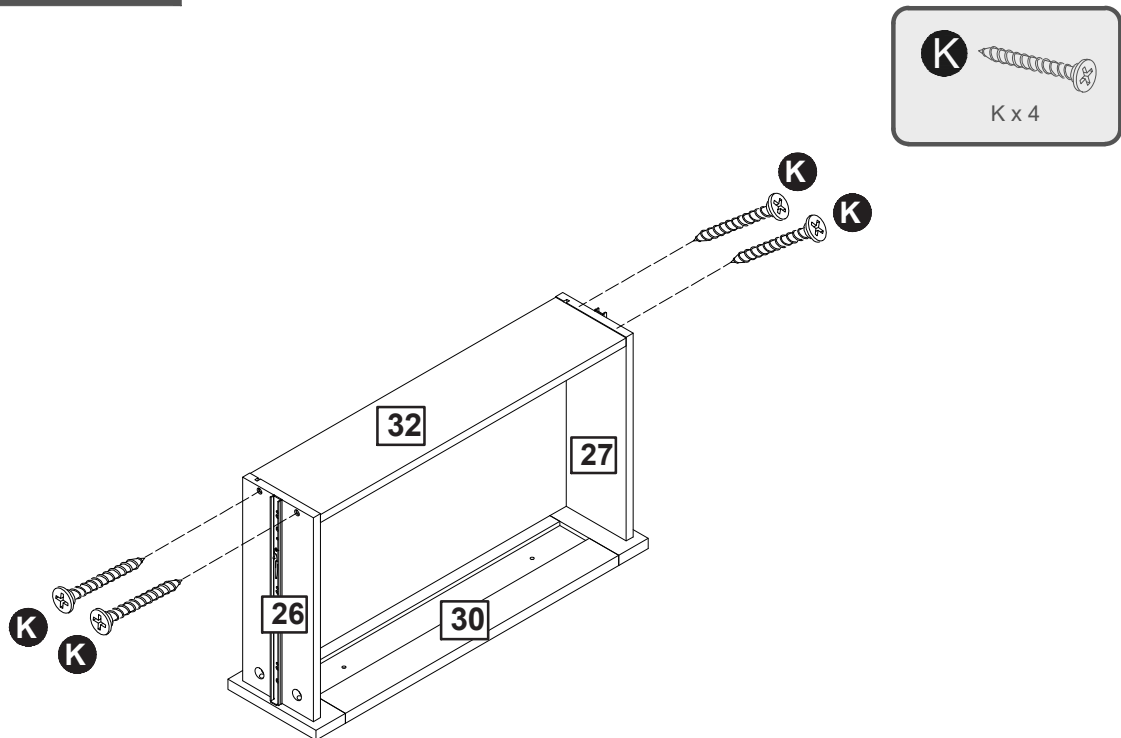


Assembly Instructions

Step 49

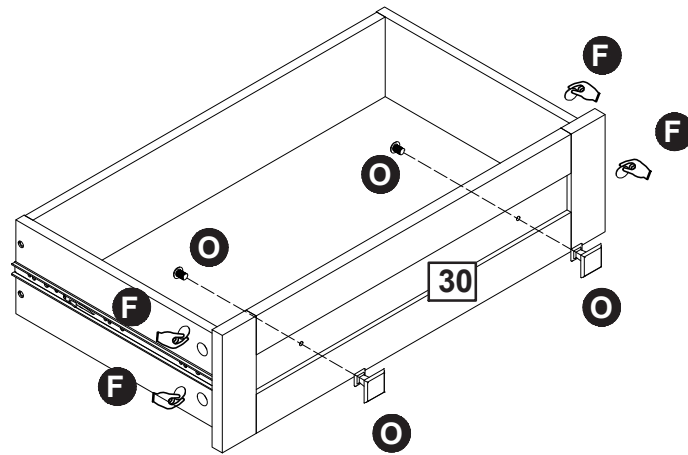
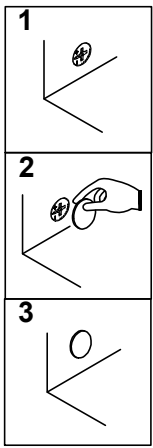
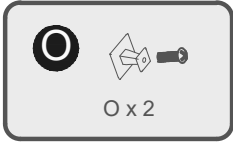


Step 50

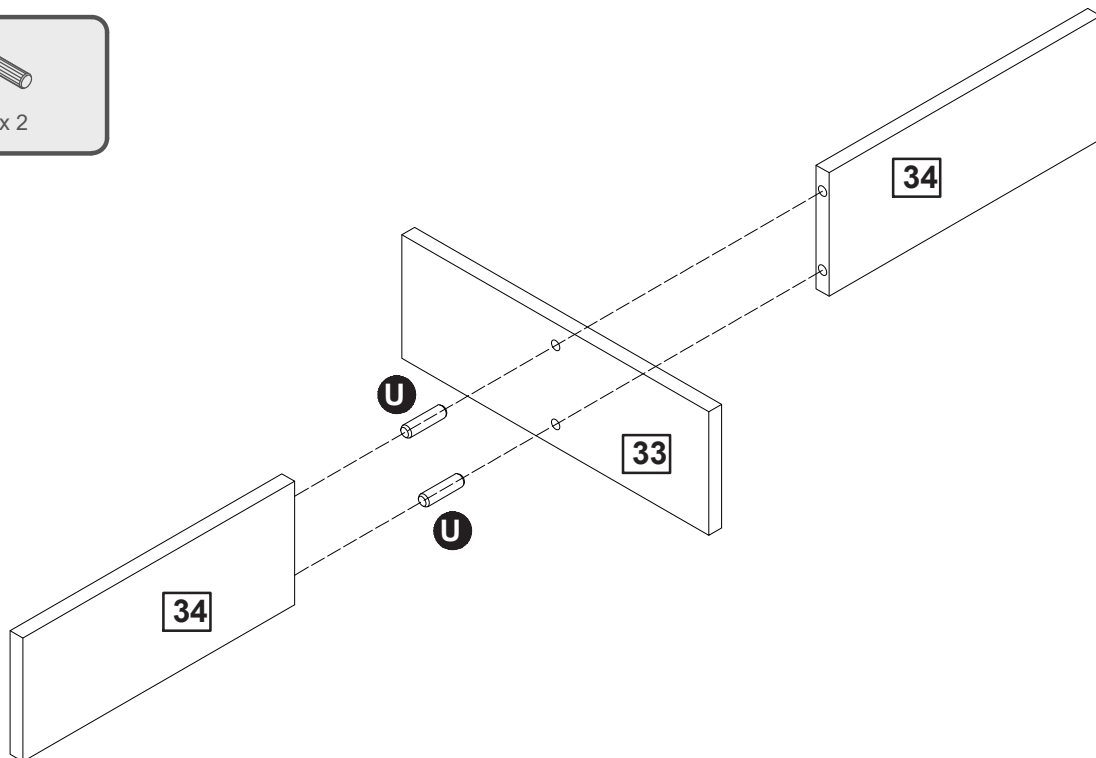
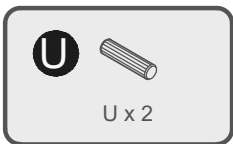


Assembly Instructions

Step 51

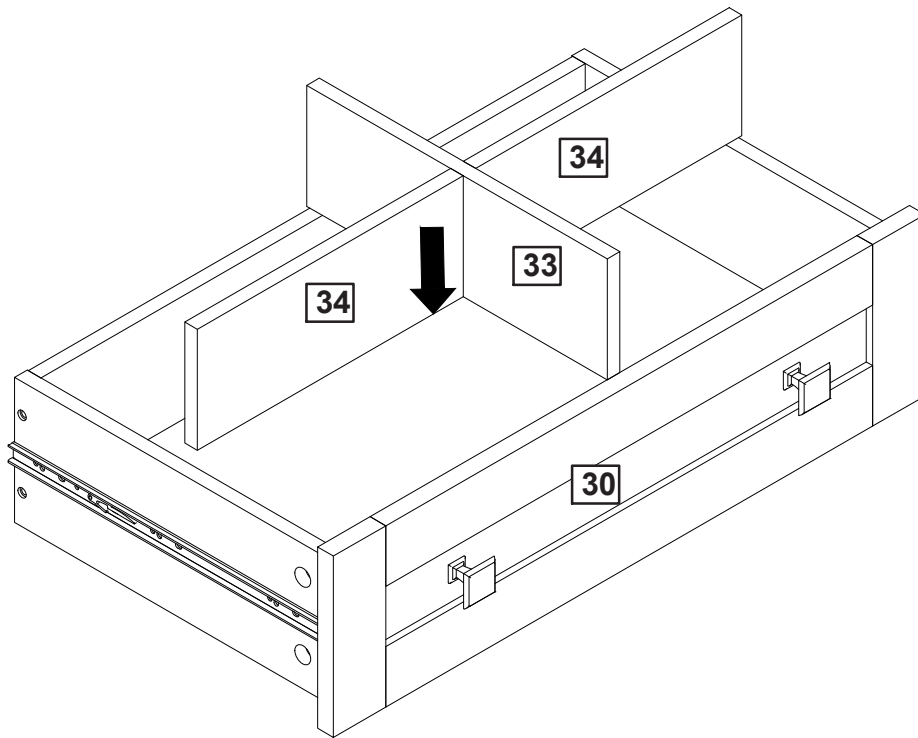


Step 52

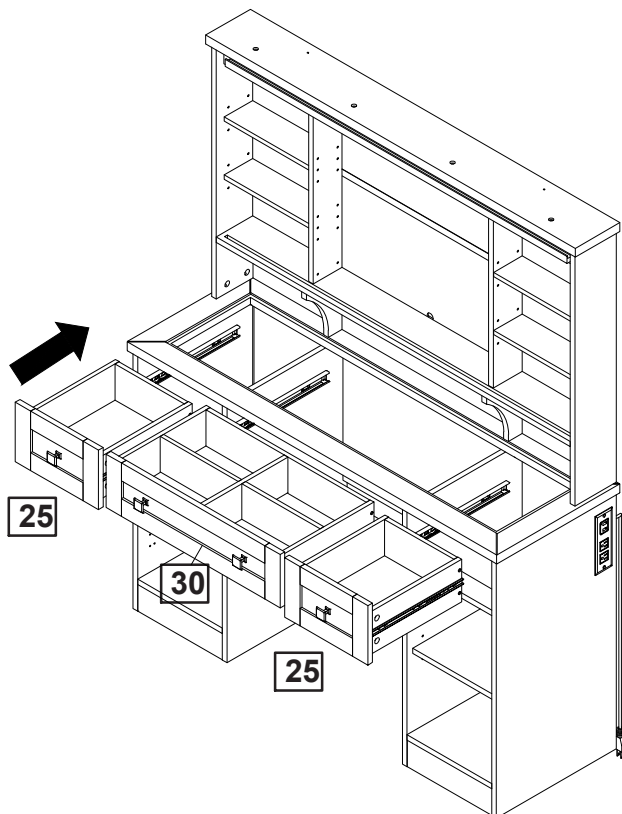


Assembly Instructions

Step 53



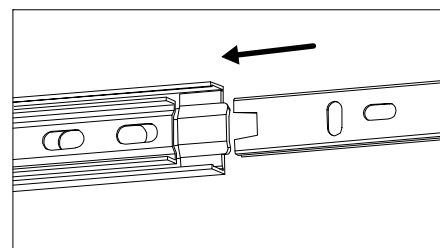
Step 54



Attention:

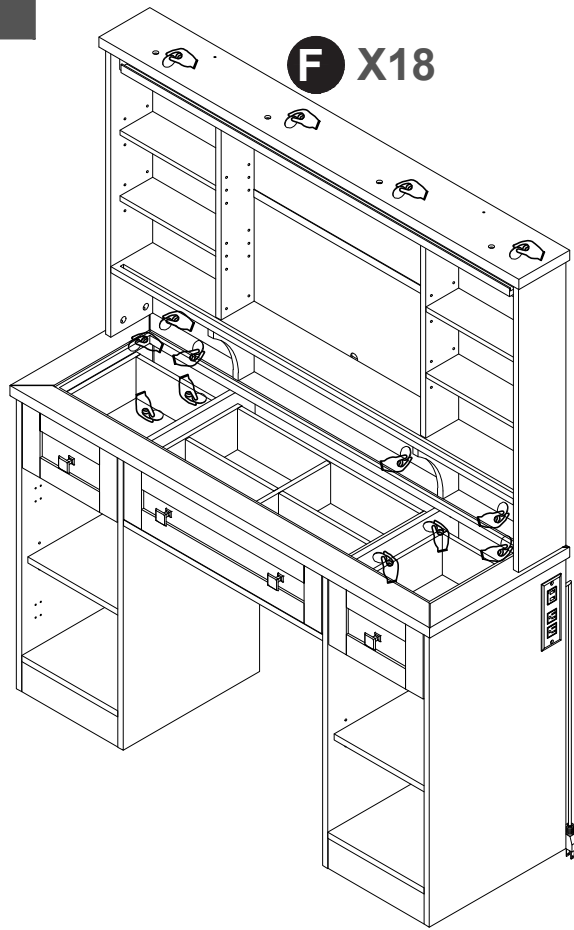
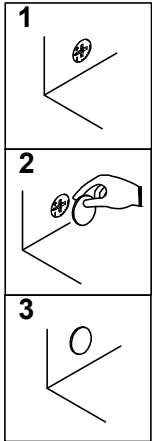
1. Align the slide runners on the drawer with the unit and push it carefully inside until it stops.

★ If the drawer does not go in smoothly please take it out and repeat the step.

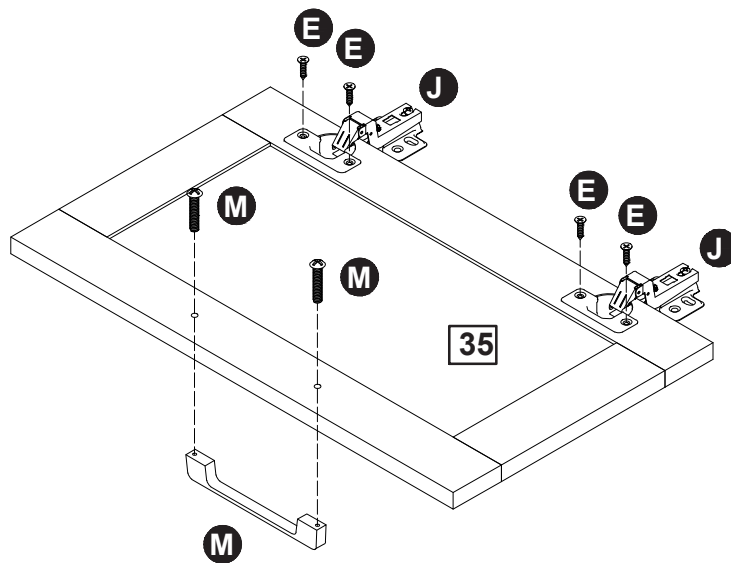
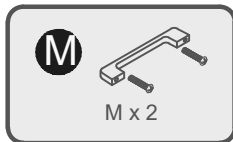
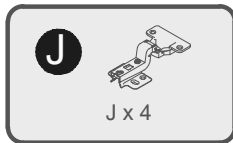


Assembly Instructions

Step 55



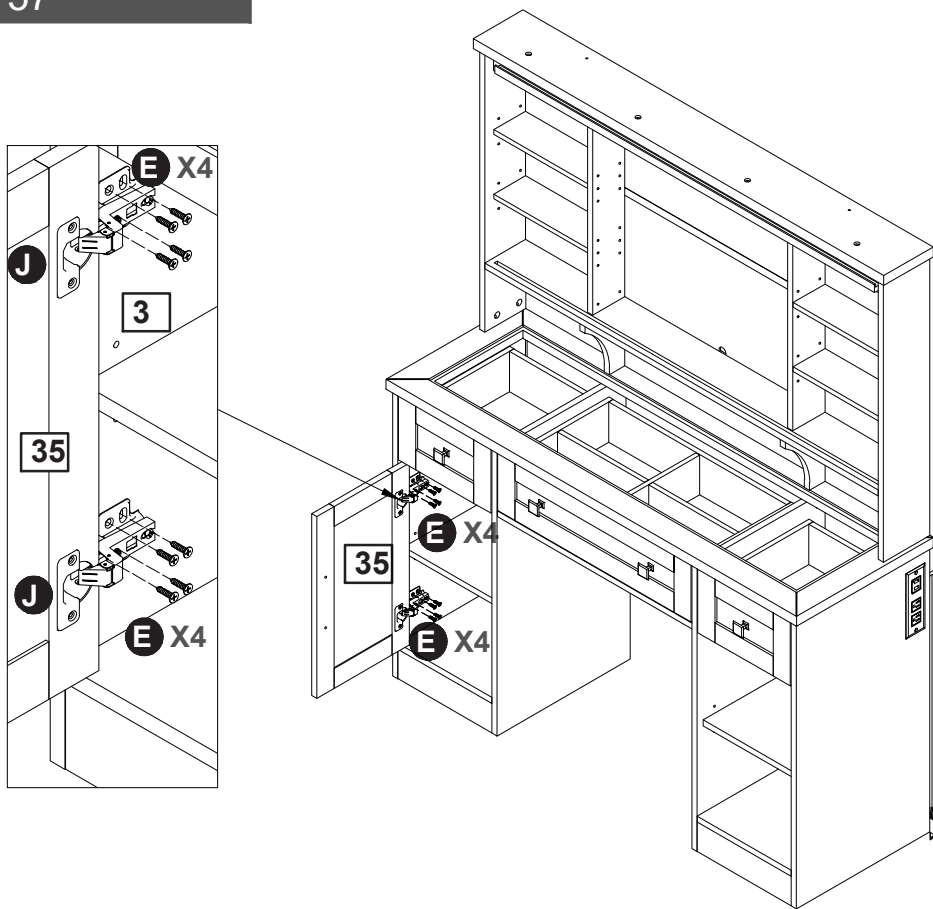
Step 56



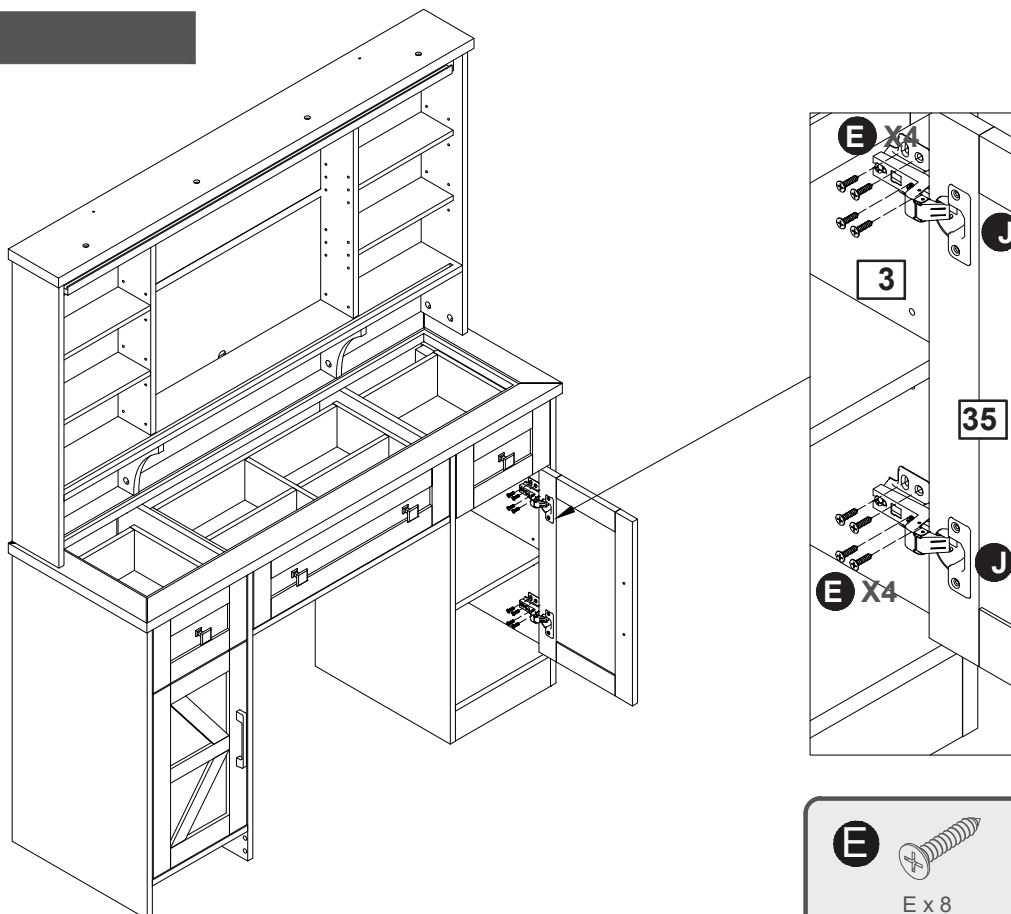
X2

Assembly Instructions

Step 57

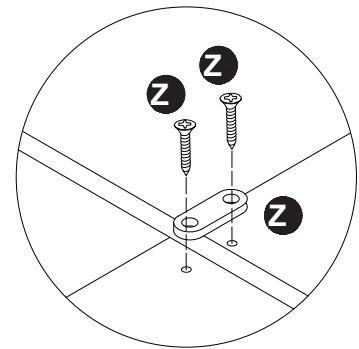
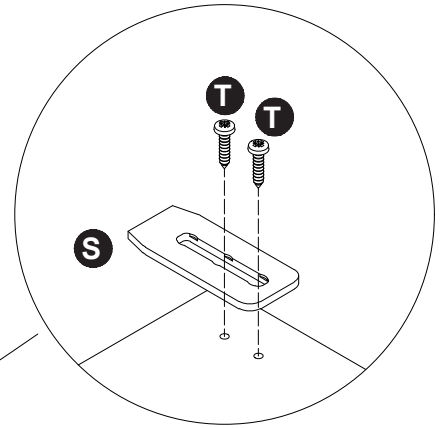
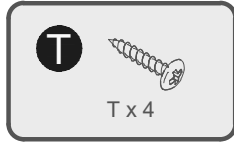


Step 58

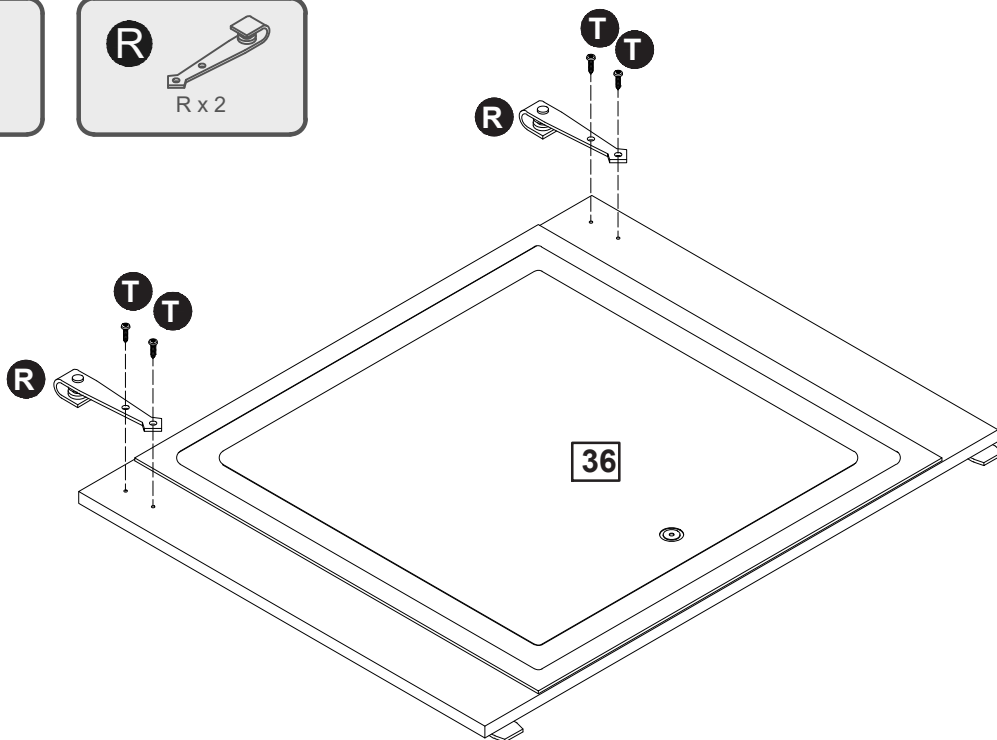
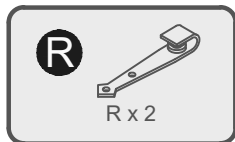
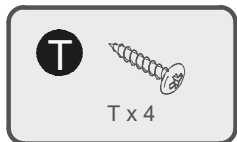


Assembly Instructions

Step 59

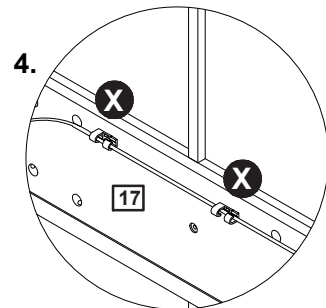
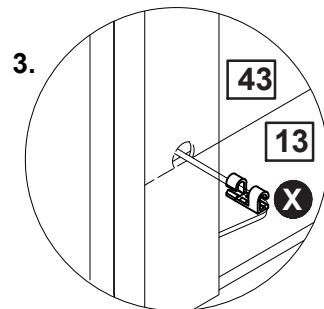
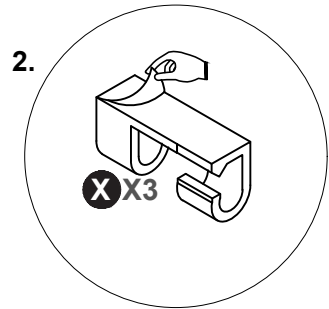
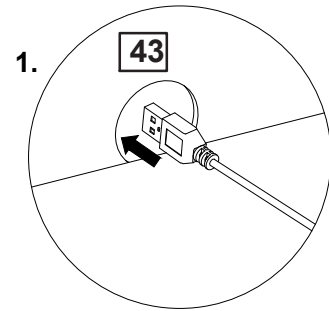
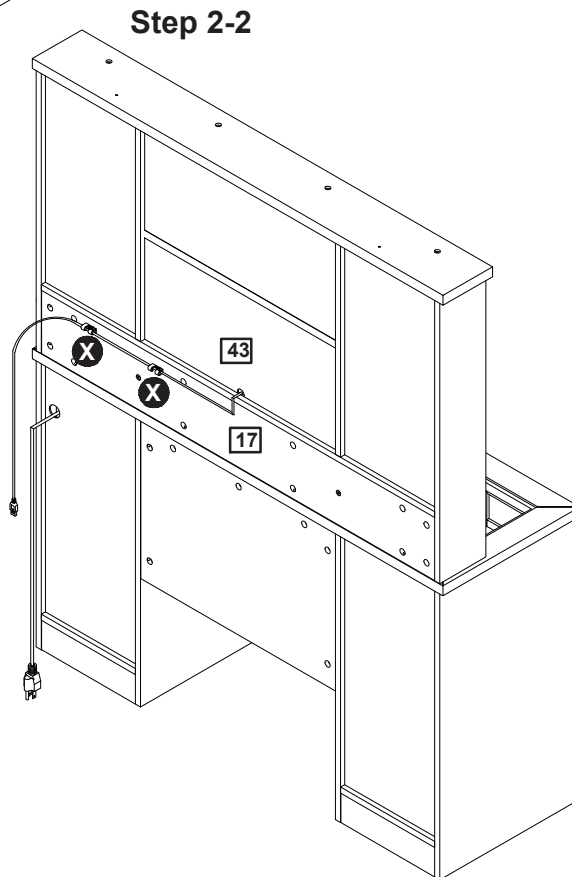
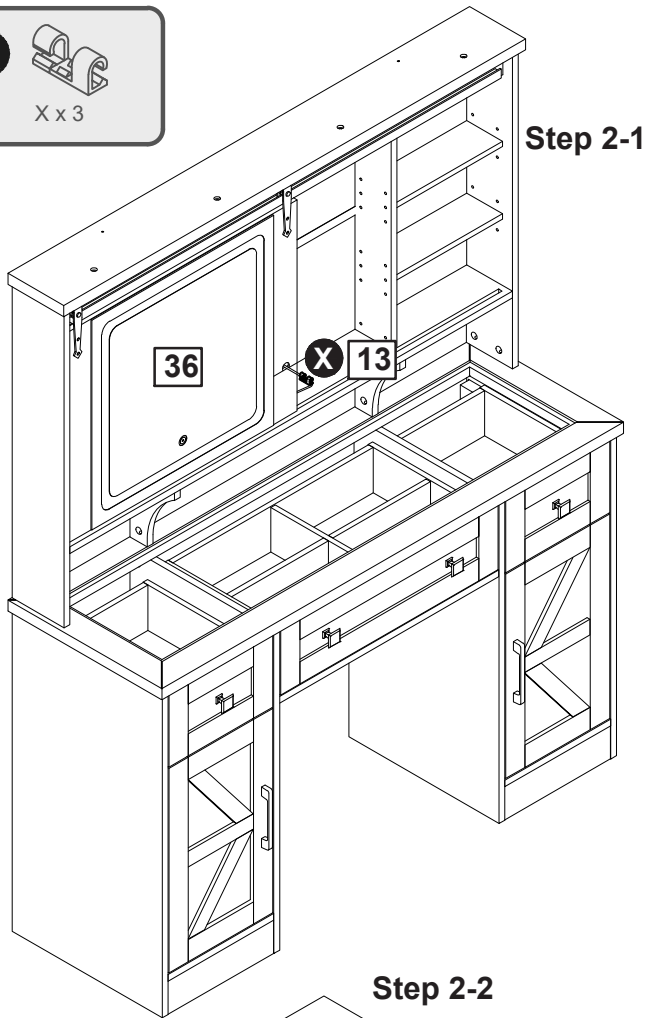


Step 60



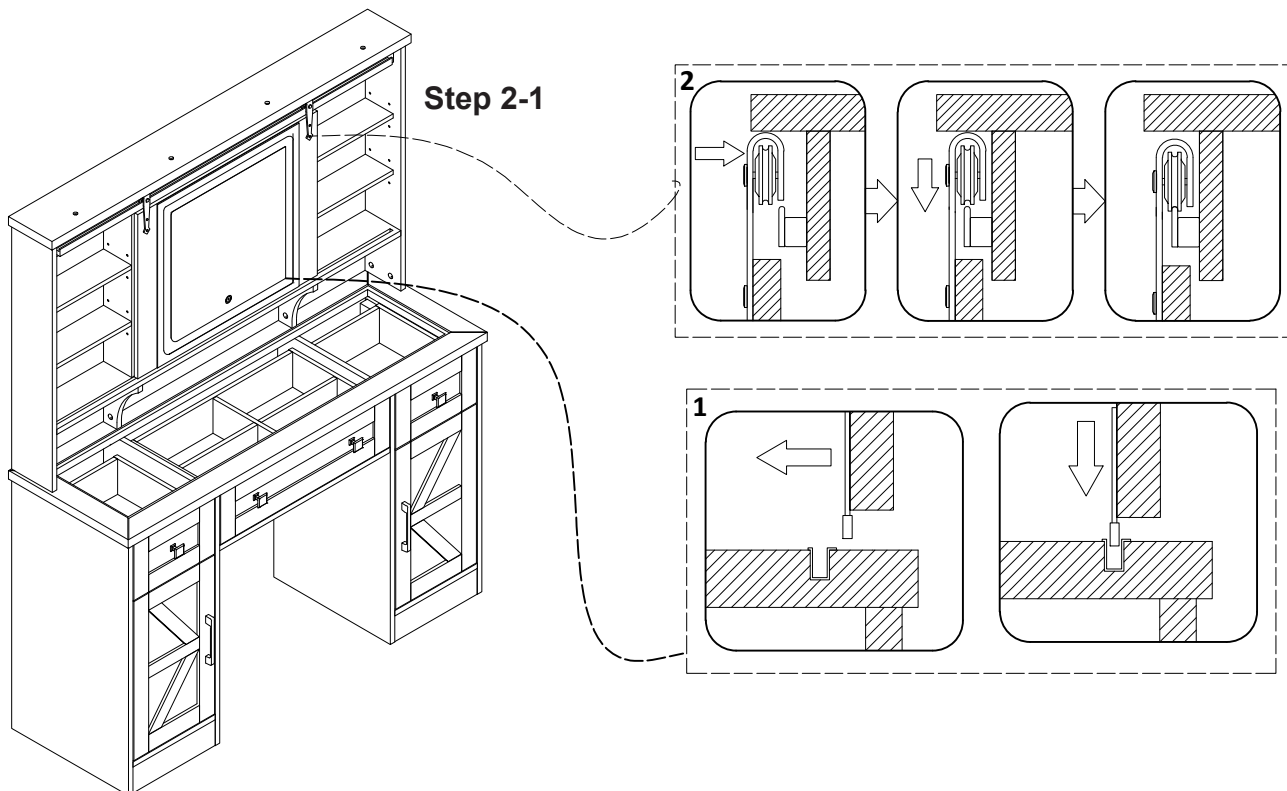
Assembly Instructions

Step 61

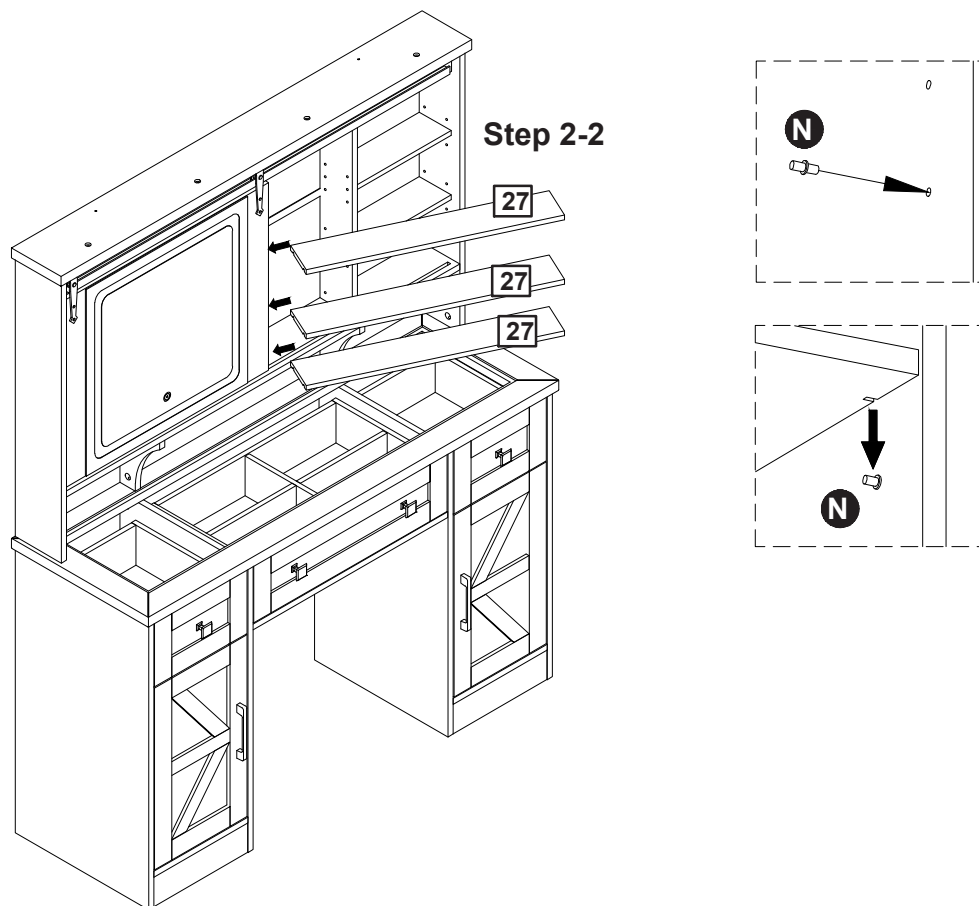


Assembly Instructions

Step 62

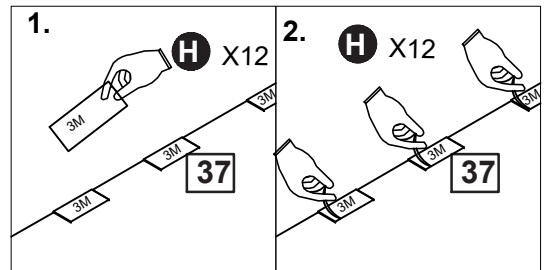
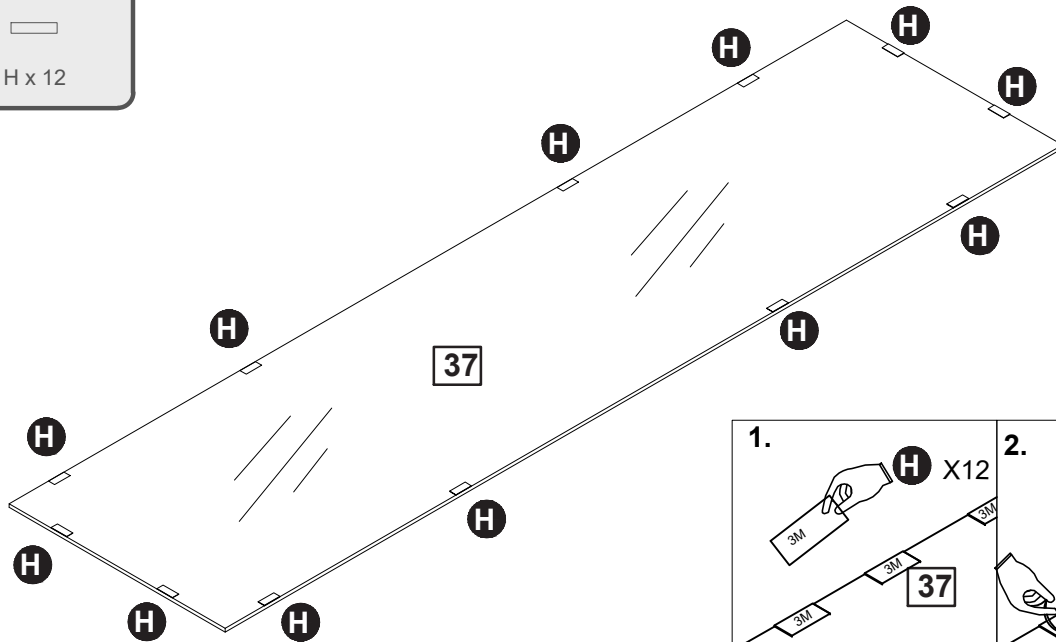


Attach bottom of doors to the sliding slot then close the doors to the sliding track. Slightly uplift the doors and hook pulley to the sliding track.

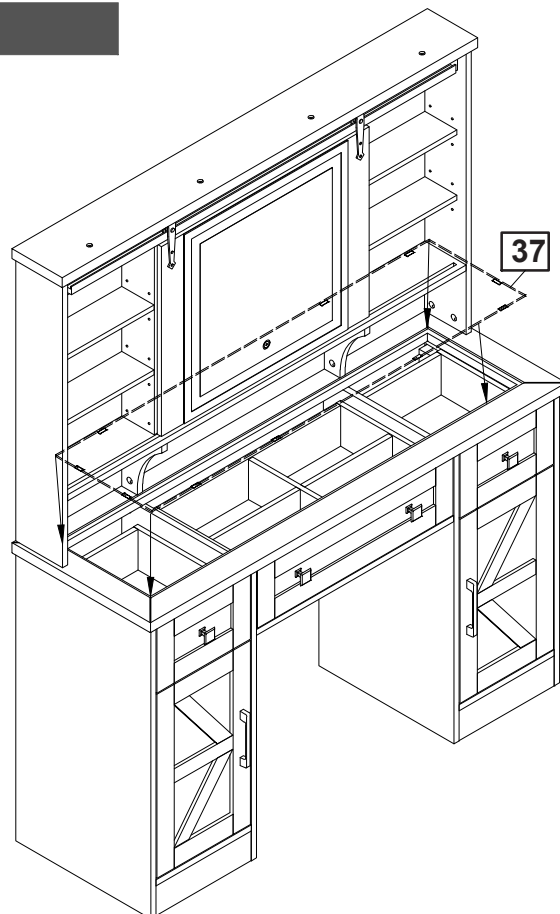


Assembly Instructions

Step 63

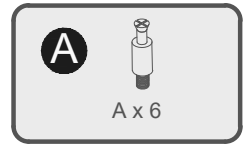
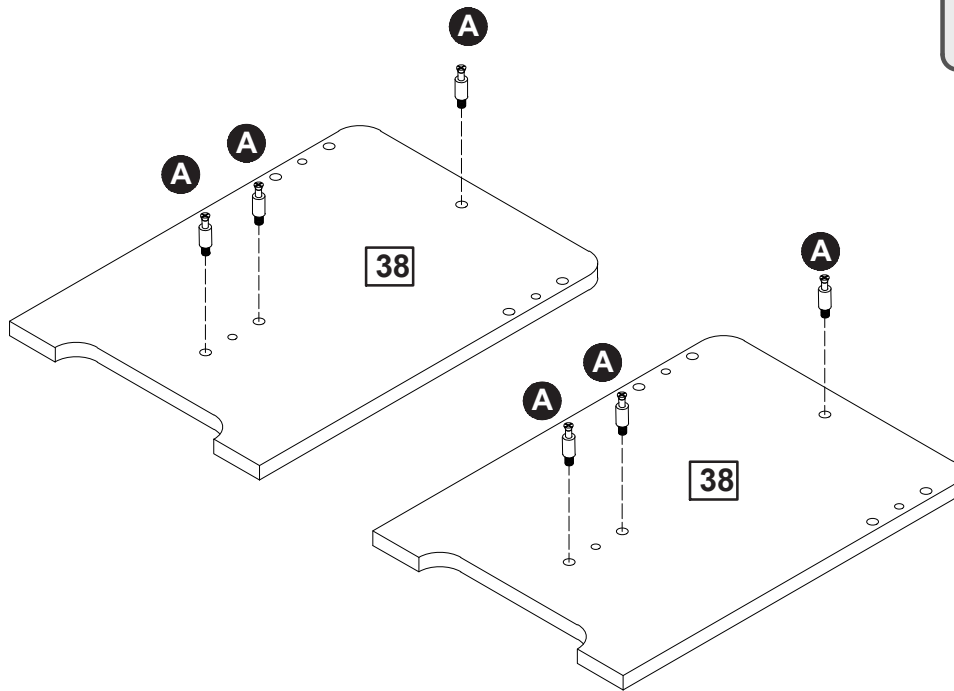


Step 64

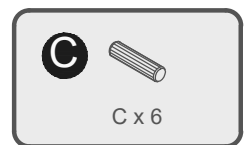
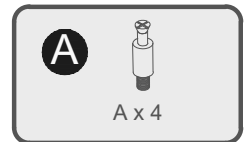
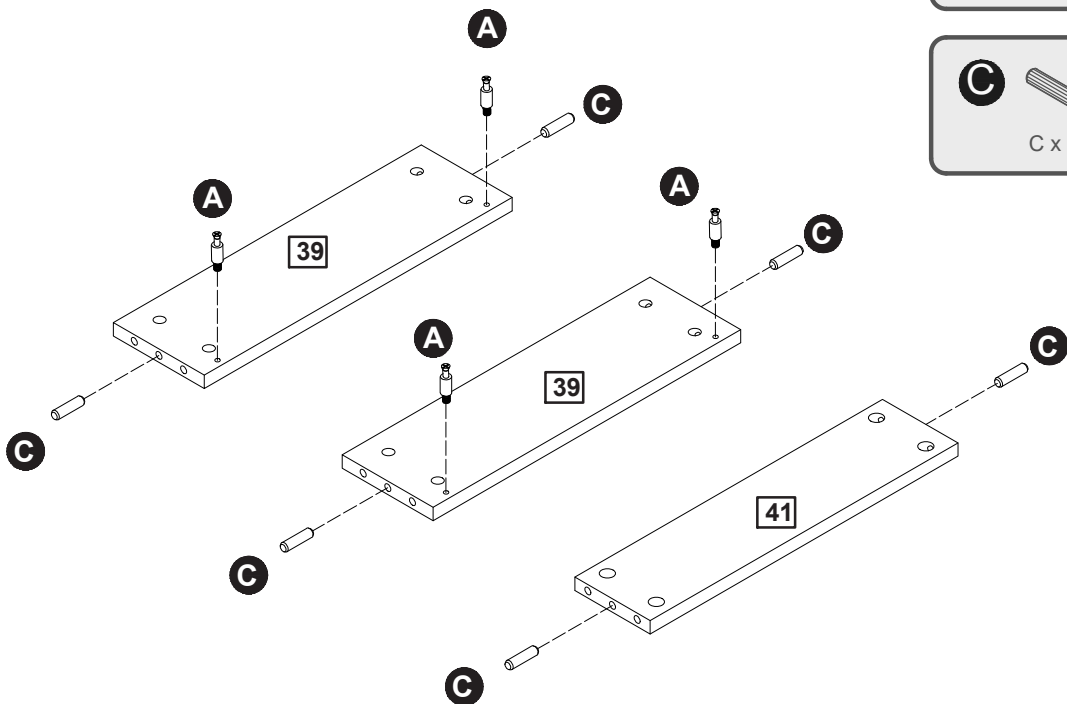


Assembly Instructions

Step 65



Step 66



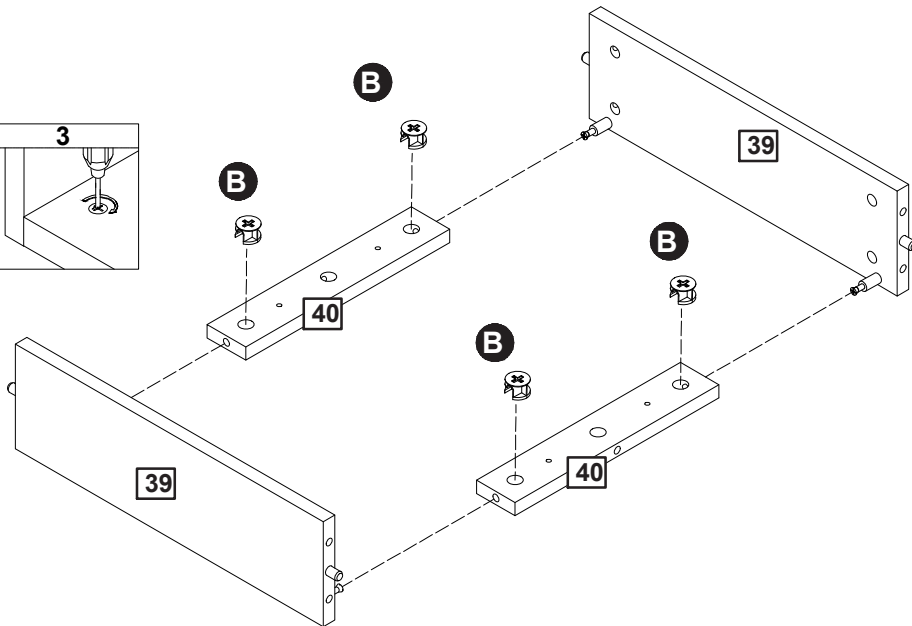
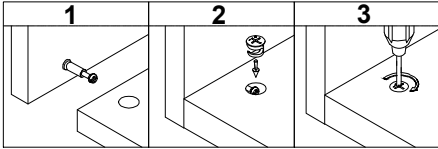
Assembly Instructions

Step 67

B



B x 4

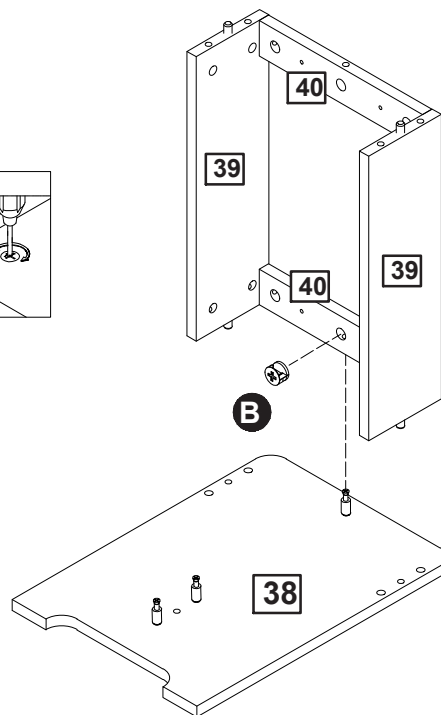
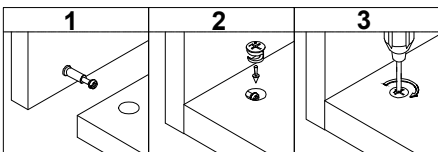


Step 68

B



B x 1



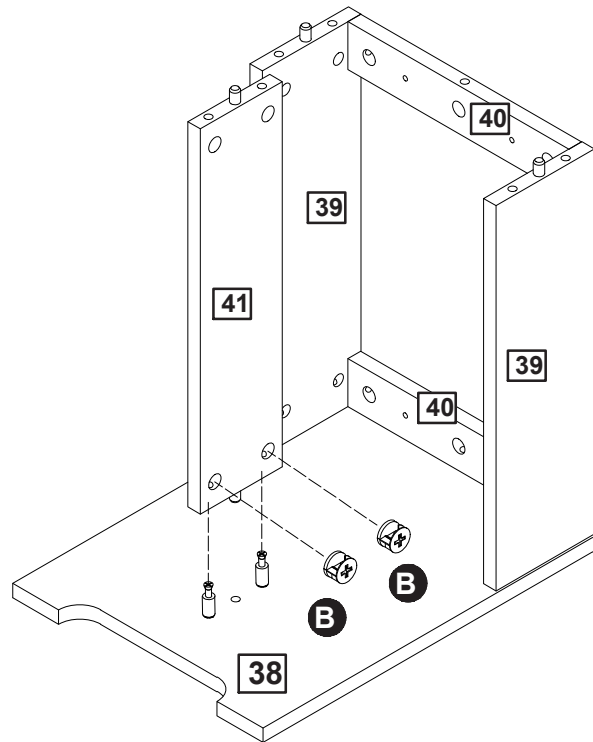
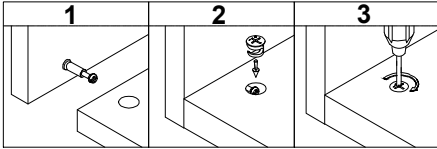
Assembly Instructions

Step 69

B



B x 2

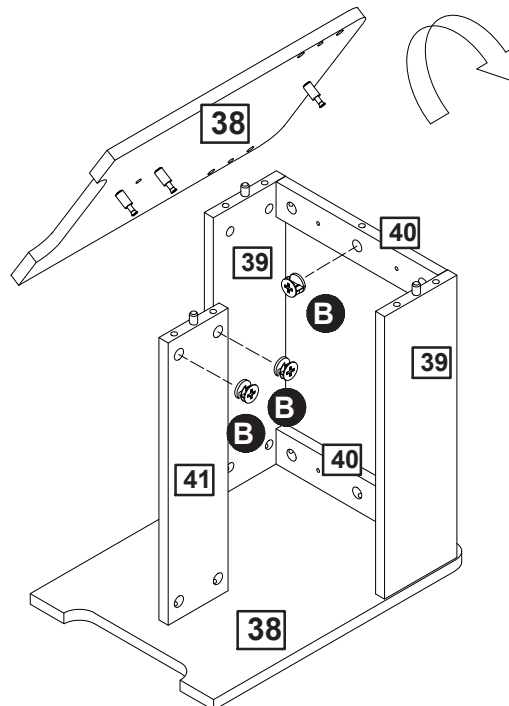
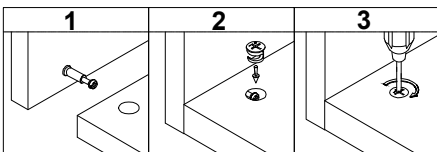


Step 70

B

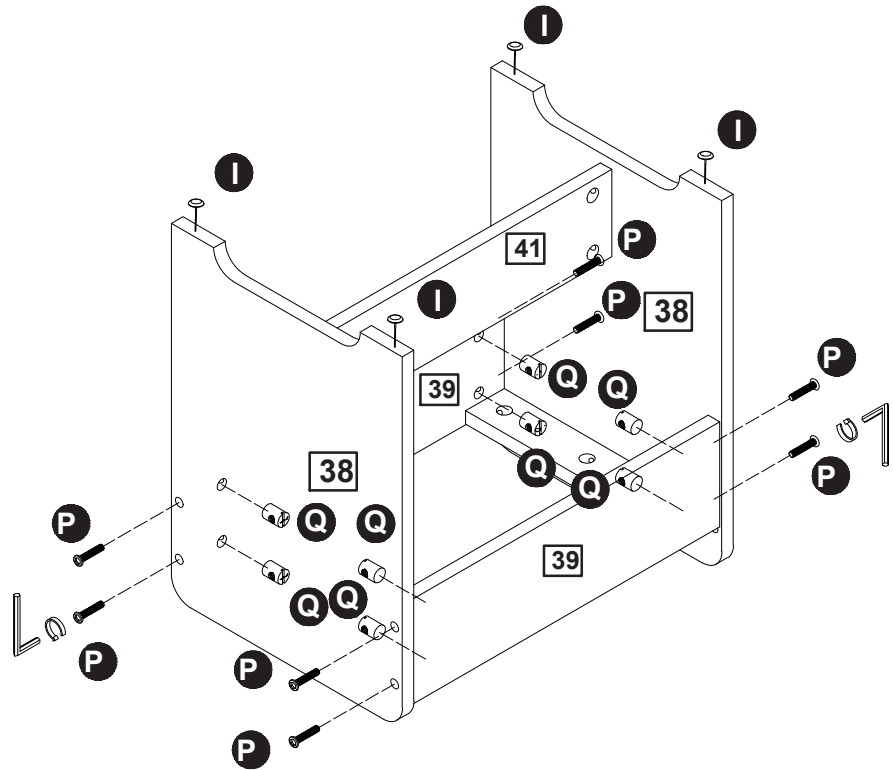
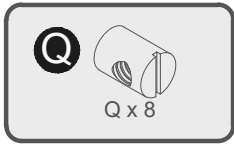
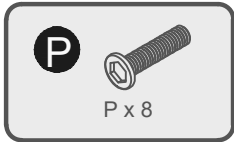
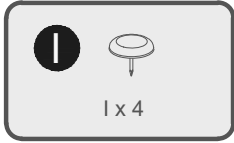


B x 3

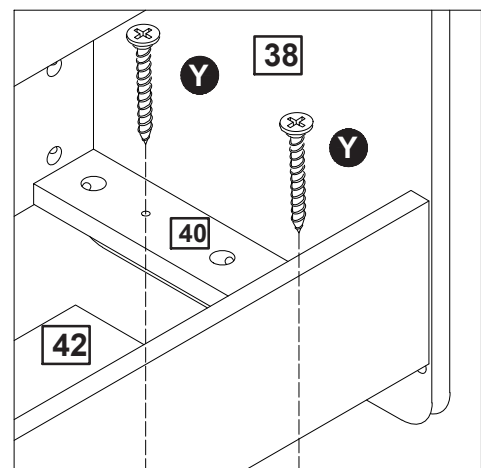
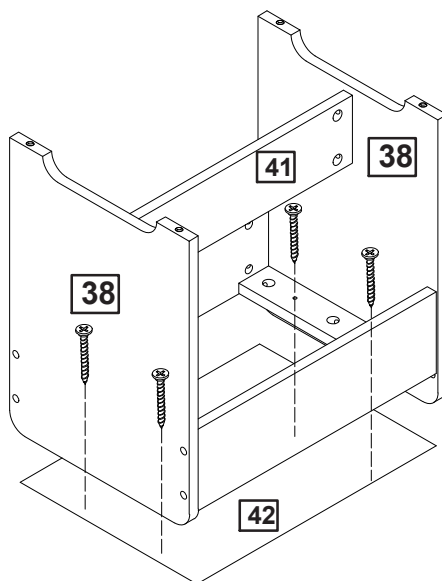
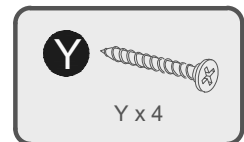


Assembly Instructions

Step 71

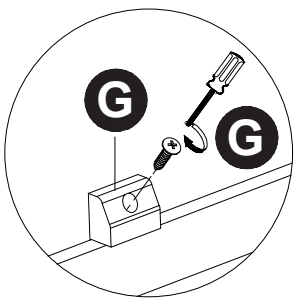
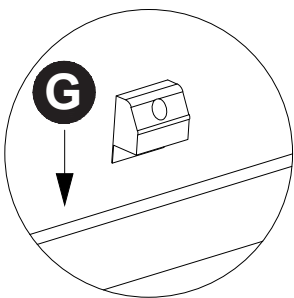
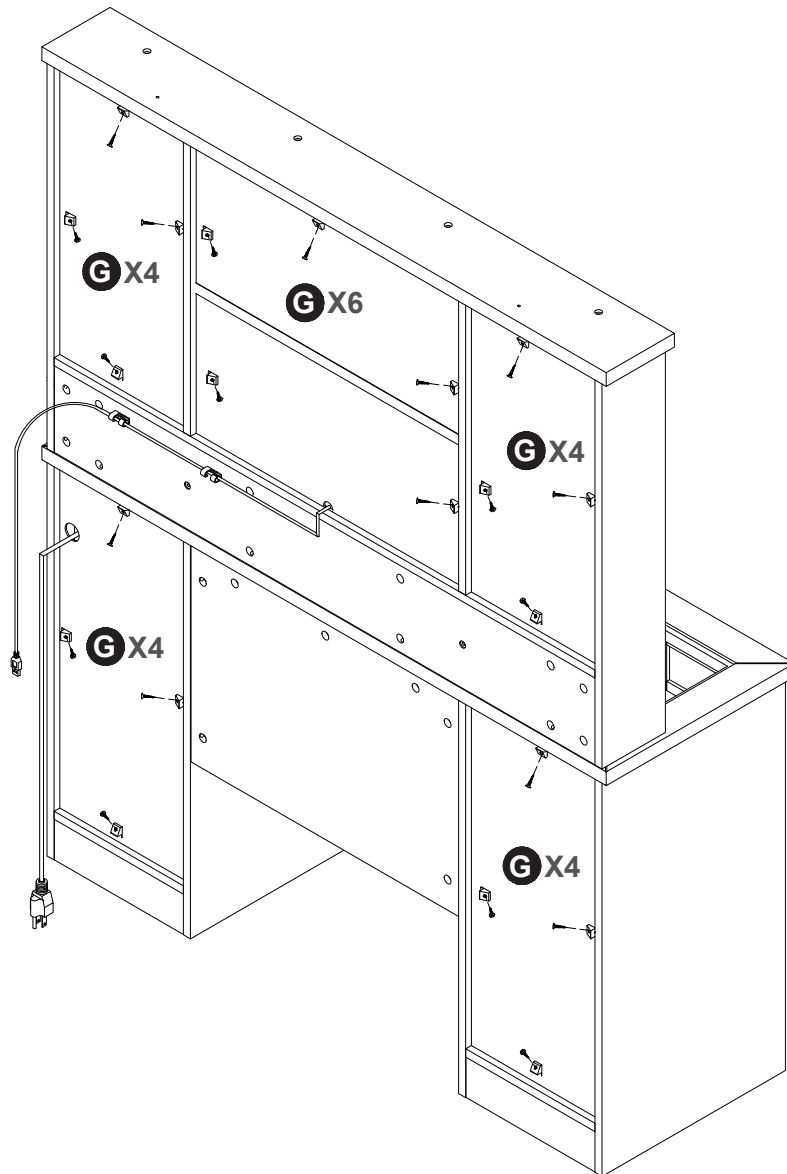
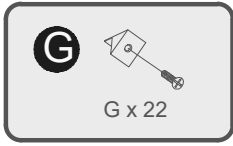


Step 72



Assembly Instructions

Step 73



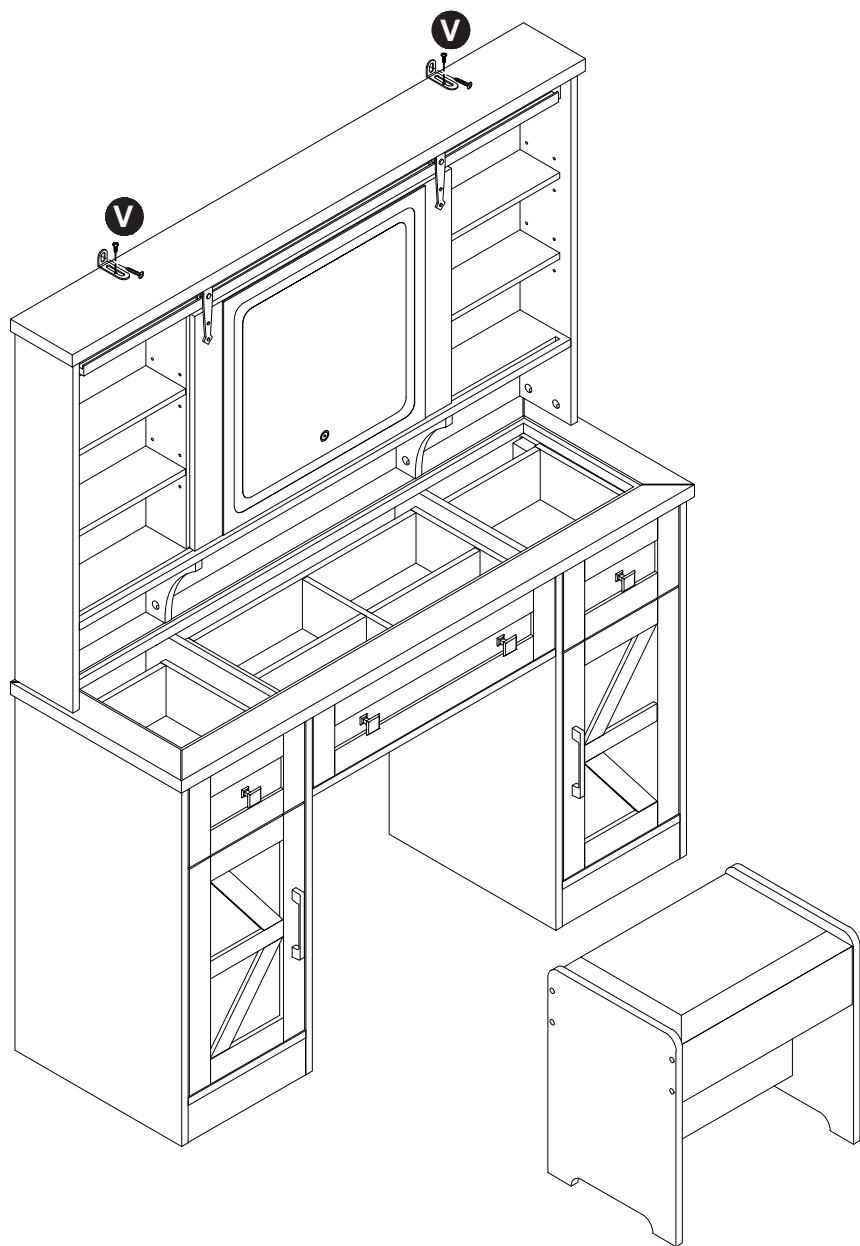
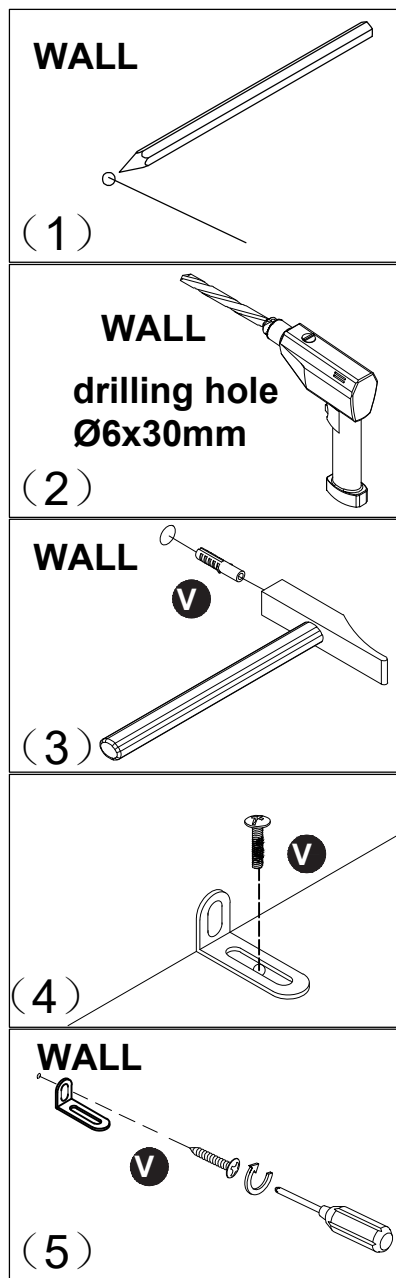
Assembly Instructions

Step 74



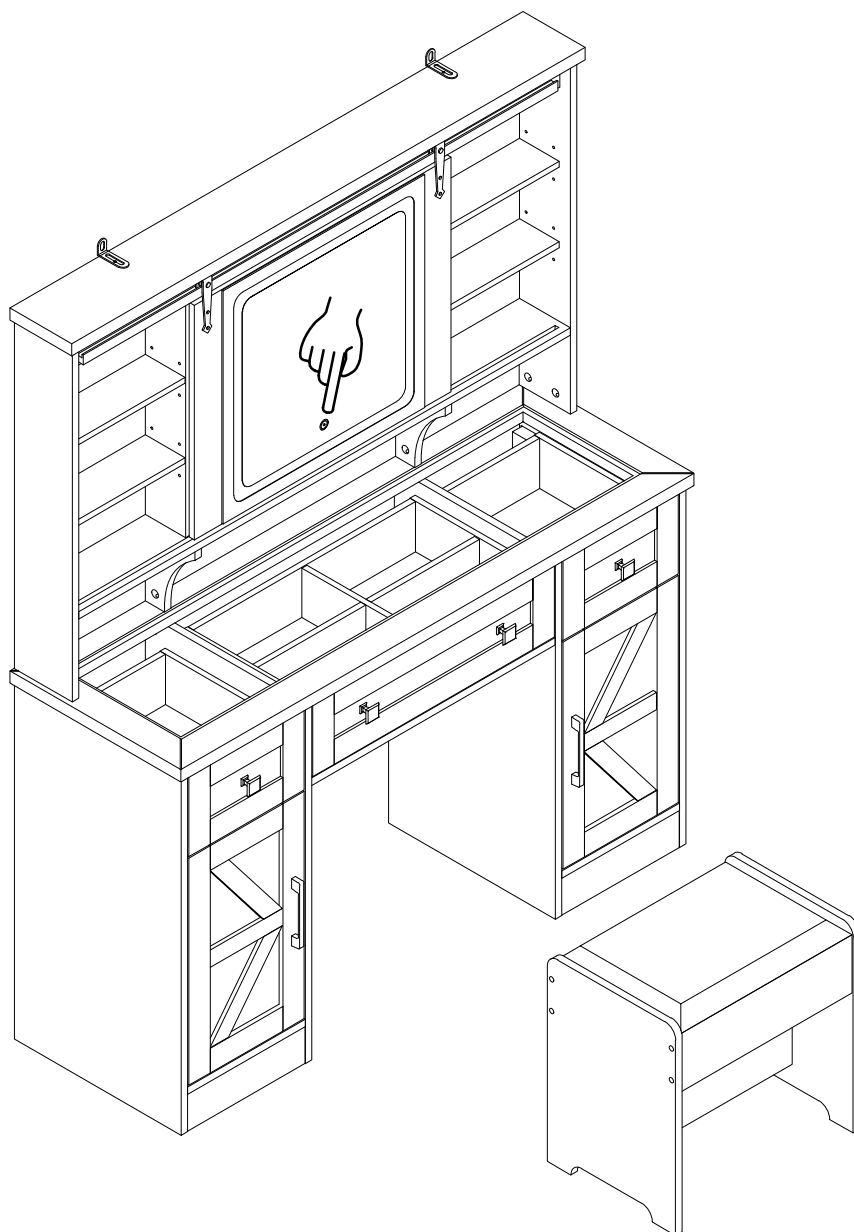
ATTENTION:

For safety and stability, we suggest you have to secure the anti tip accessories to the wall to prevent tipping, injury, and property damage.



Assembly Instructions

Step 75



This nightstand has a smart LED Light (Cold, Natural, Warm) that can be adjusted in 3 colors, a short press to change the color, and a long press to adjust the brightness.

Assembly is complete.

A Guide to Wall Mounting & Fixings

Important note:

If plastic wall plugs (rawl plugs) are supplied with your product, e.g.:



- these are only suitable for use in masonry walls.

If you are in any doubt about the correct wall plugs for your wall, seek professional advice.


Failure of the product due to using the incorrect fixings is the responsibility of the installer.



Important: when drilling into walls always check that there are no hidden wires or pipes etc.

Make sure that the screws and wall plugs being used are suitable for **supporting your unit**. **Consult a qualified tradesperson if you are unsure.**

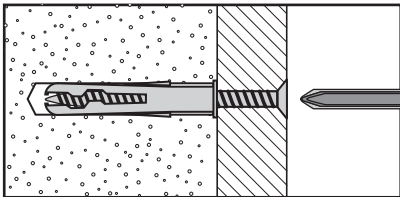
Hints:

- 1: General rule:  always use a larger screw and wall plug if you are not sure.
- 2: Ensure you use the recommended drill bit to match the wall plug and hole size.
- 3: Ensure you drill the hole horizontally; do not force the drill or enlarge the hole.
- 4: Take extra care when drilling high walls, ceilings and ceramic tiles. Ensure wall plugs are inserted beyond the thickness of the ceramic tiles to avoid the tiles splitting or cracking.
- 5: Ensure wall plugs are well fitted and are a tight fit in the drilled hole.

Types of walls

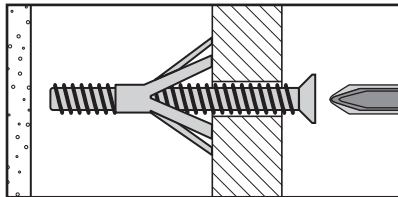
You can use one of the following types of wall plug if your walls are made of brick, breeze block, concrete, stone or wood.

No.1 "General Purpose" wall plug



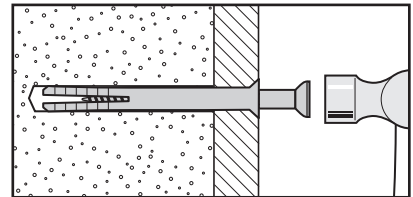
Generally aerated blocks should not be used to support heavy loads, use a specialist fitting in this case. For light loads, general purpose wall plugs can be used.

No.3 "Cavity Fixing" wall plug



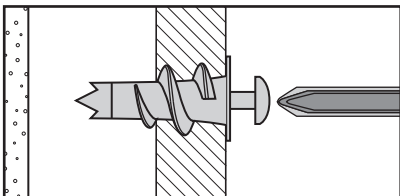
For use with plasterboard partitions or hollow wooden doors.

No.5 "Hammer Fixing" wall plug



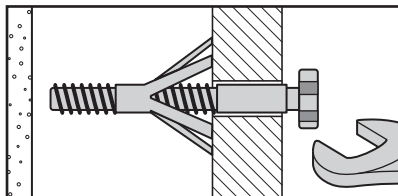
For use with walls stuck with plasterboard. The hammer fixing allows it to be fixed to the wall rather than the plasterboard. Always check the fixing is secure to the retaining wall.

No.2 "Plasterboard" wall plug



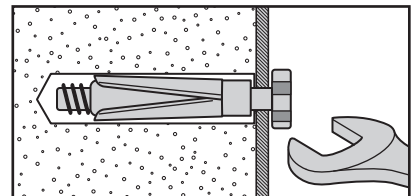
For use when attaching light loads onto plasterboard partitions.

No.4 "Cavity Fixing - Heavy Duty" wall plug



For use when fitting or supporting heavy loads such as shelving, wall cabinets and coat racks.

No.6 "Shield Anchor" wall plug - heavy loads



For use with heavier loads such as TV and HiFi speakers and satellite dishes etc.



Care & Maintenance

Safety: always check the fitting and location to ensure your safety in and around the home.

Fitting: from time to time check the fitting to ensure the wall plugs or screws do not become loose.