

## CARE AND MAINTENANCE

Store outdoor furniture indoors or cover well when not in use.

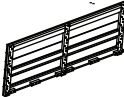


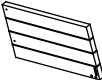
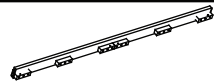

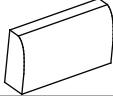





Remove wooden furniture from standing water. Dust regularly with small brush or vacuum

Spills should be taken care of immediately before they harden or stain with a slightly dampened sponge.

## NOTICE

- \* Please make sure that you have all parts indicated before you begin assembly of this item
- \* This item should be assembled on a soft surface to prevent scratching the finish during assembly
- \* This item may require periodic tightening

## Part List and Hardware List

PIECE	DESCRIPTION	PICTURE	QUANTITY
A	Frame back		1X
B	Frame Seat		2X
C	Chair leg		2X
D	Leg Frame		2X
E	Cross Bar		1X
F	Seat Cushion		1X
G	Back Cushion		2X
H	Bolt	 Mx80	4X
J	Screw	 M7x90	2X
K	Screw	 M6x45	8X
L	Screw	 M6x25	4X
M	Allen key	 LG4	1X

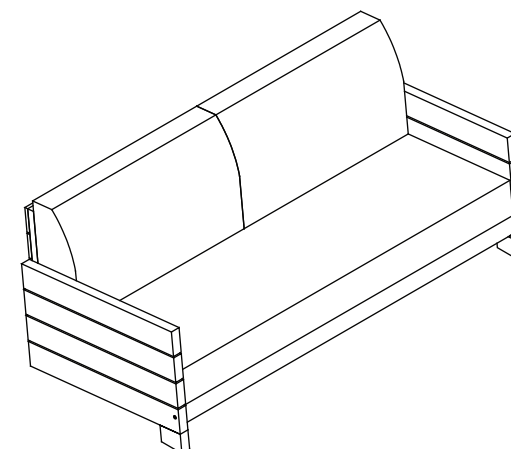
**Weight Capacity : 485 Ibs**

**Warning : Do not stand on chair**

**Warning : Do not over torque bolts / screws**



Product Dimensions: 36,6" W x 33,8" D x 25.9" H



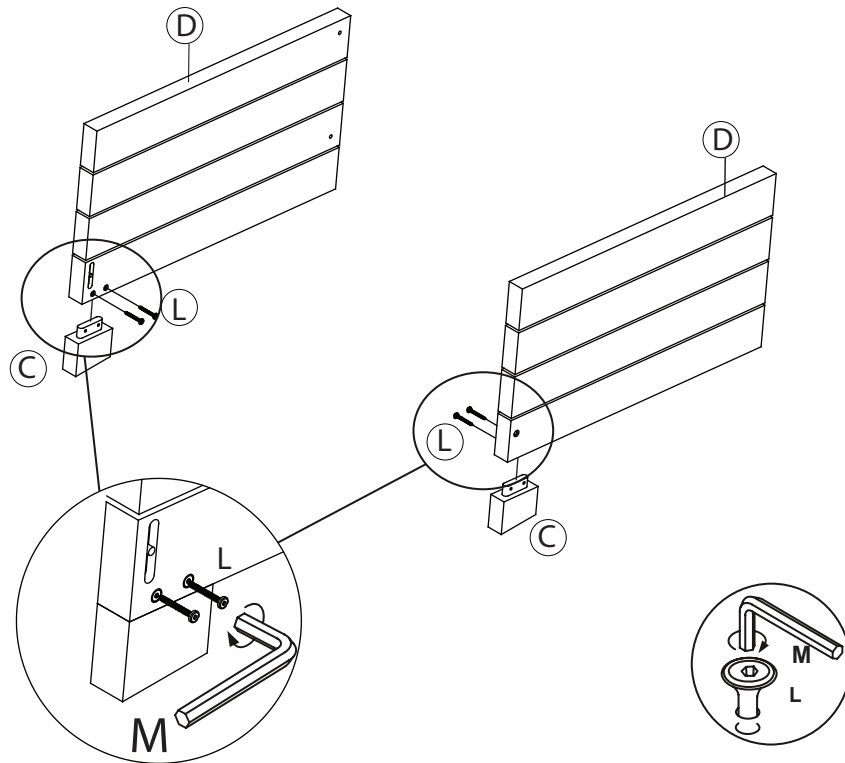
## PREPARATION

Before beginning assembly of product, make sure all parts are present. Compare parts with package contents list and hardware contents list. If any part is missing or damaged, do not attempt to assemble the product.

Estimated Assembly Time: 10 minutes.

Tools Required for Assembly (included): Allen Key

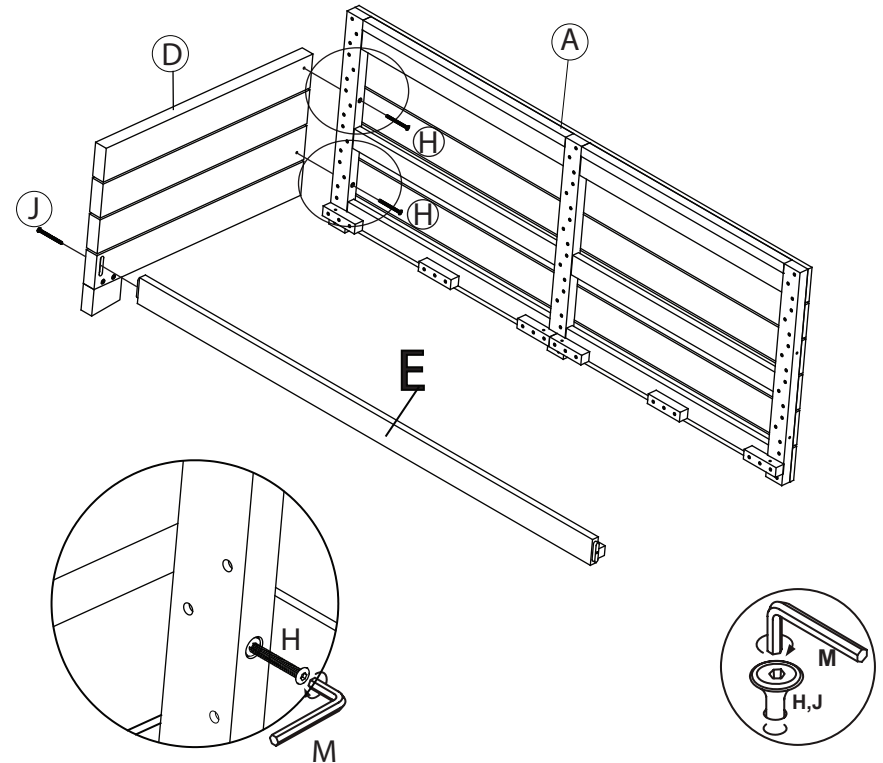
1



### Step 1

Tighten screws (L) with allen key (M) to attach Chair leg (C) and leg frame (D).

2



### Step 2

Step 2.1 Tighten bolt (H) with allen key (M) to attach back frame (A) and leg frame (D).

Step 2.2 Tighten screws (J) with allen key (M) to attach leg frame (D) and Cross Bar (E).

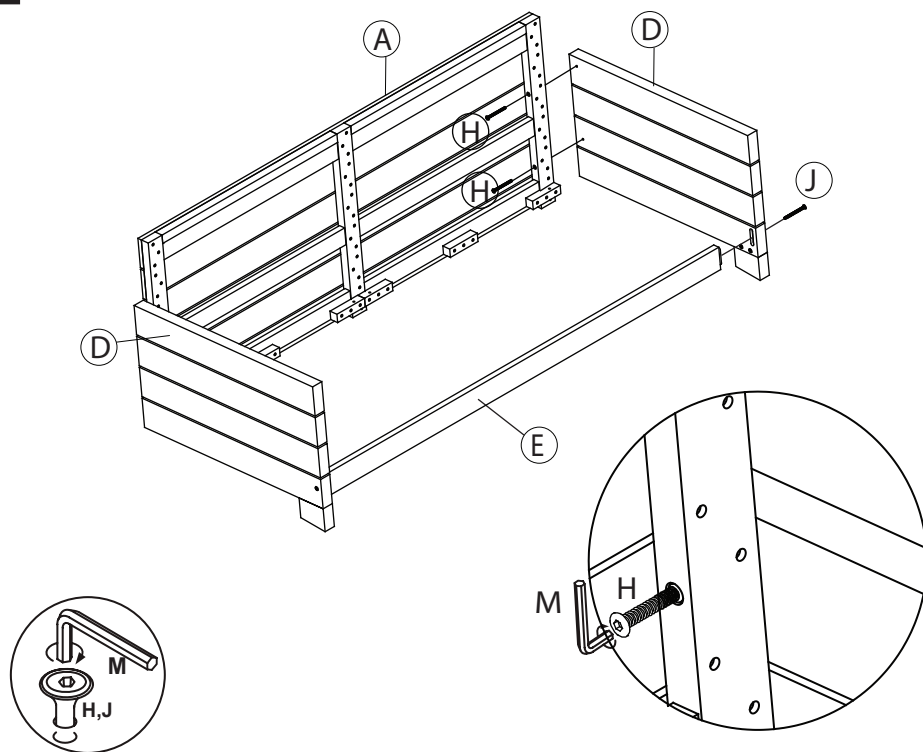
## PREPARATION

Before beginning assembly of product, make sure all parts are present. Compare parts with package contents list and hardware contents list. If any part is missing or damaged, do not attempt to assemble the product.

Estimated Assembly Time: 10 minutes.

Tools Required for Assembly (included): Allen Key

3

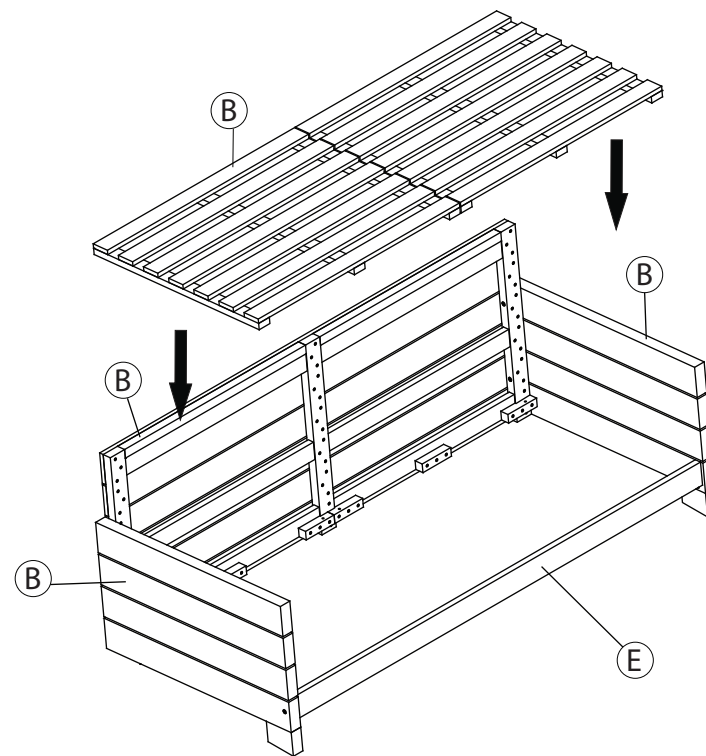


### Step 3

Step 3.1 Tighten bolt (H) with allen key (M) to attach back frame (A) and leg frame (D).

Step 3.2 Tighten screws (J) with allen key (M) to attach leg frame (A) and Cross Bar (E).

4



### Step 4

Place Frame Seat (B) into the Chair.

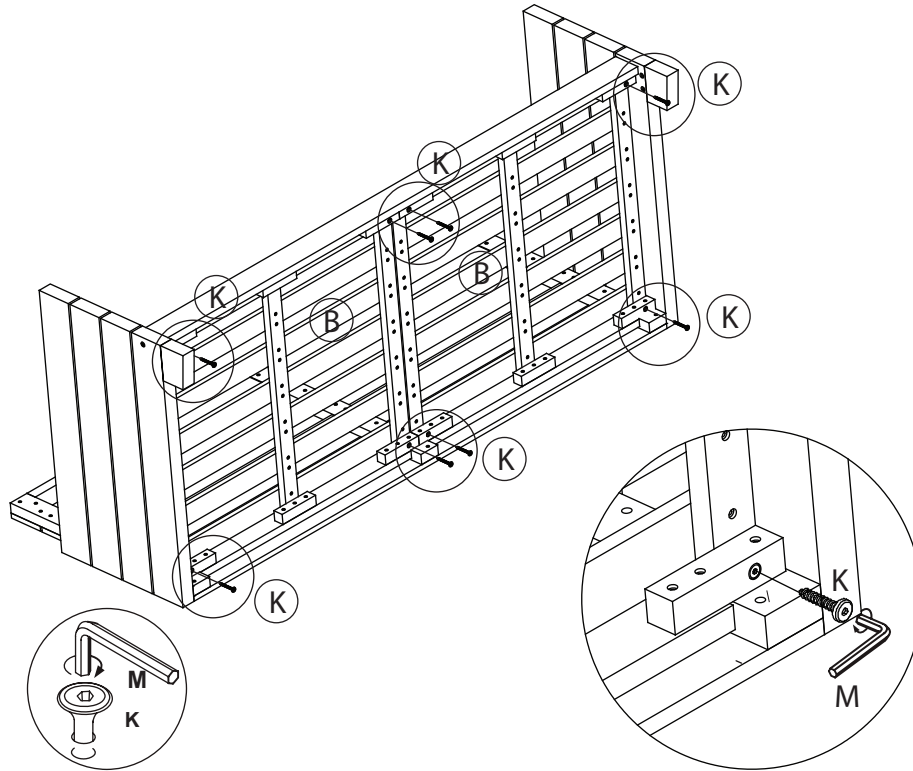
## PREPARATION

Before beginning assembly of product, make sure all parts are present. Compare parts with package contents list and hardware contents list. If any part is missing or damaged, do not attempt to assemble the product.

Estimated Assembly Time: 10 minutes.

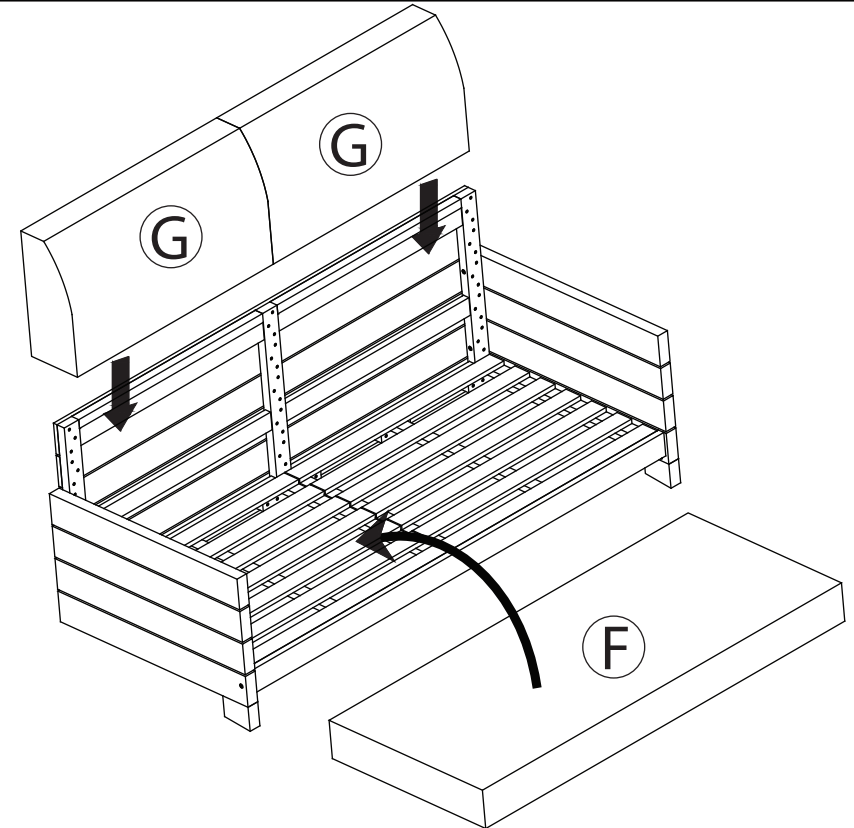
Tools Required for Assembly (included): Allen Key

5



Step 5 Tighten screws (K) with allen key (M) to attach Frame Seat (B)

6



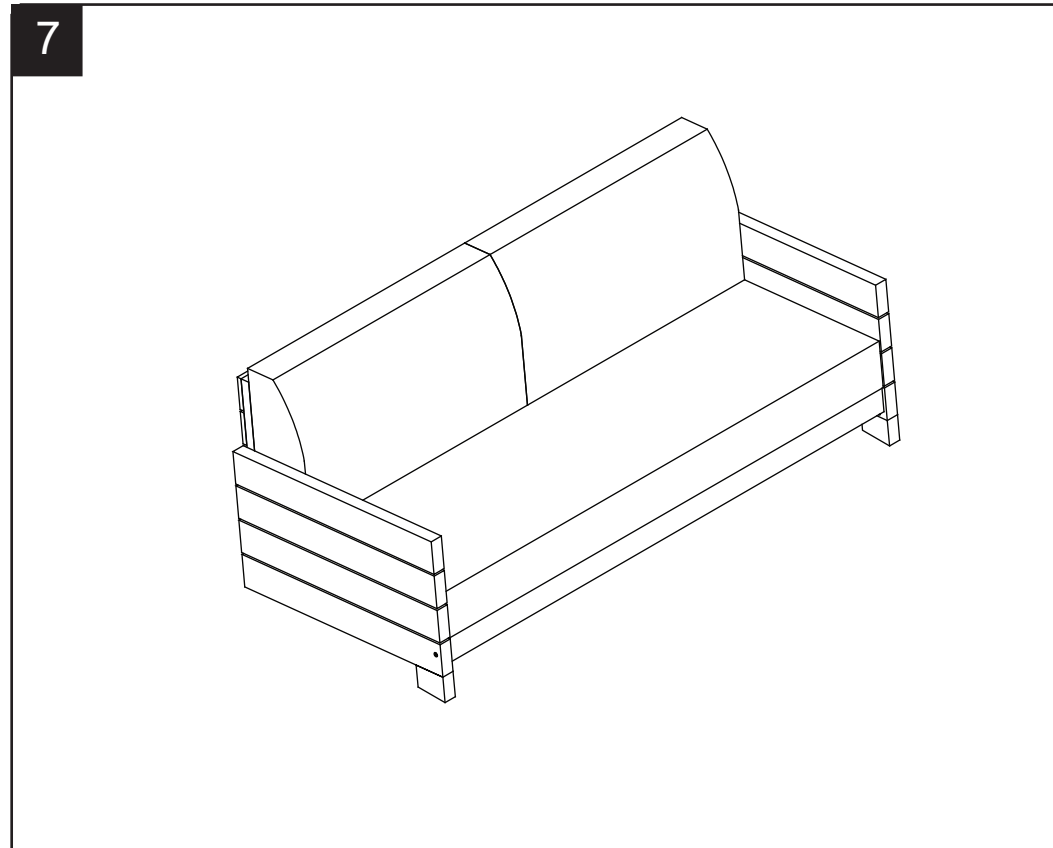
Step 6 Attach Ensure all screws are fully locked into position. Place Seat Cushion (F), Back Cushion (G) into the Chair. The Chair is ready to be used.

## PREPARATION

Before beginning assembly of product, make sure all parts are present. Compare parts with package contents list and hardware contents list. If any part is missing or damaged, do not attempt to assemble the product.

Estimated Assembly Time: 10 minutes.

Tools Required for Assembly (included): Allen Key



Step 7 Caution: This Chair can only be used on a flat, level surface