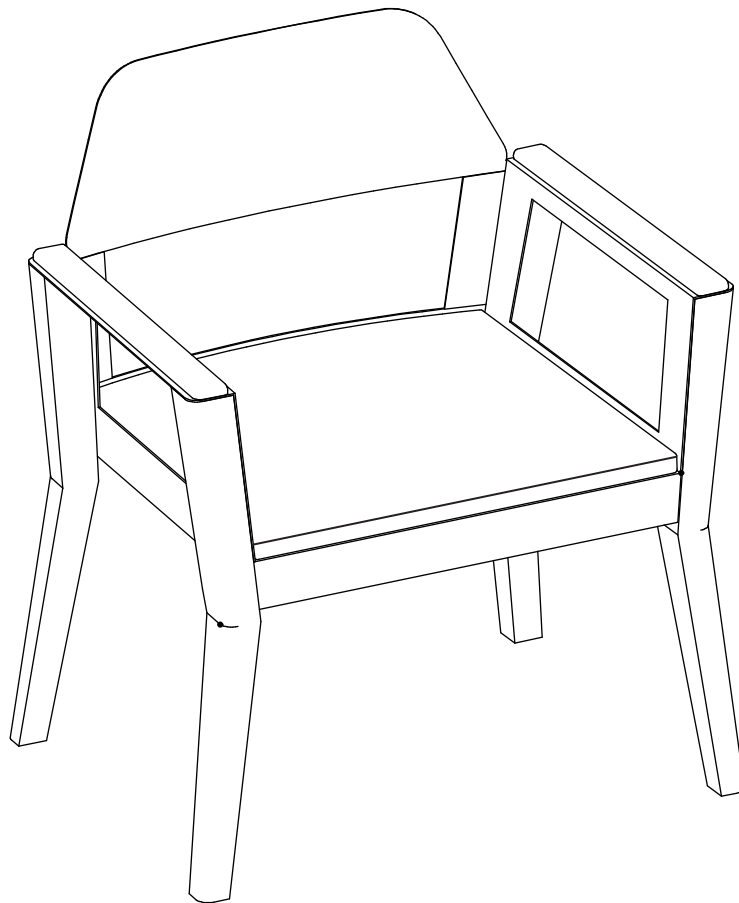


Assembly Instructions

CLUB CHAIR

CAUTION: You must read this before you proceed.

Pleas look in the Seat Frame for hardware packs

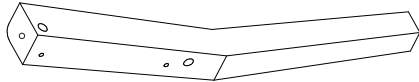
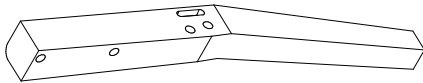

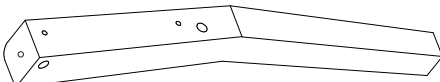
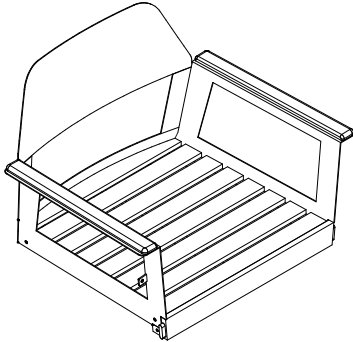
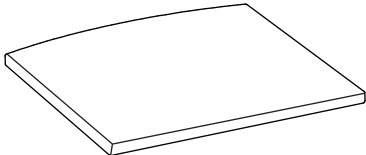


CAUTION: This Chair is NOT a TOY.

Keep your child/children at bay during the assembly process.



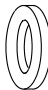
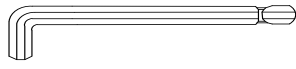
Whenever lifting the Chair and to prevent damage to the Chair two adults are needed to execute this action.

Parts List

No.	Picture	Description	Qty
A		Back Right Leg	1
B		Front Right Leg	1
C		Front Left Leg	1
D		Back Left Leg	1
E		Seat Frame	1
F		Seat Cushion	1

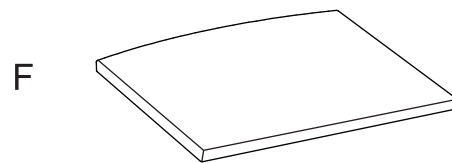
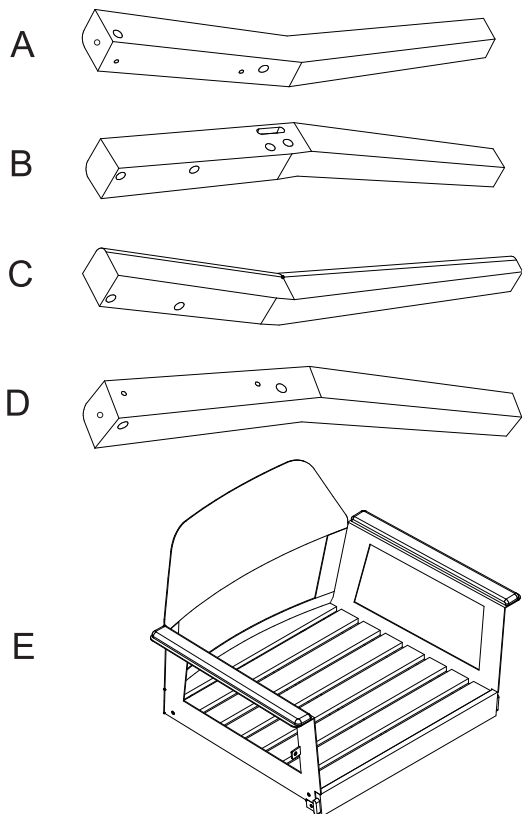
Hardware





Chair Hardware

No.	Picture	Description	Qty
①		Screw (M6 x 40mm)	9
②		Screw (M6 x 60mm)	5
③		Washer (6/16 x 2mm)	13
④		Allen Wrench	1

Assembly Preparation

Before Beginning Assembly:



①		x 9
②		x 5
③		x 13
④		x 1



Read instructions, cover to cover.



Have 2 adults on hand for assembly.



Do not assemble on flooring or carpet.



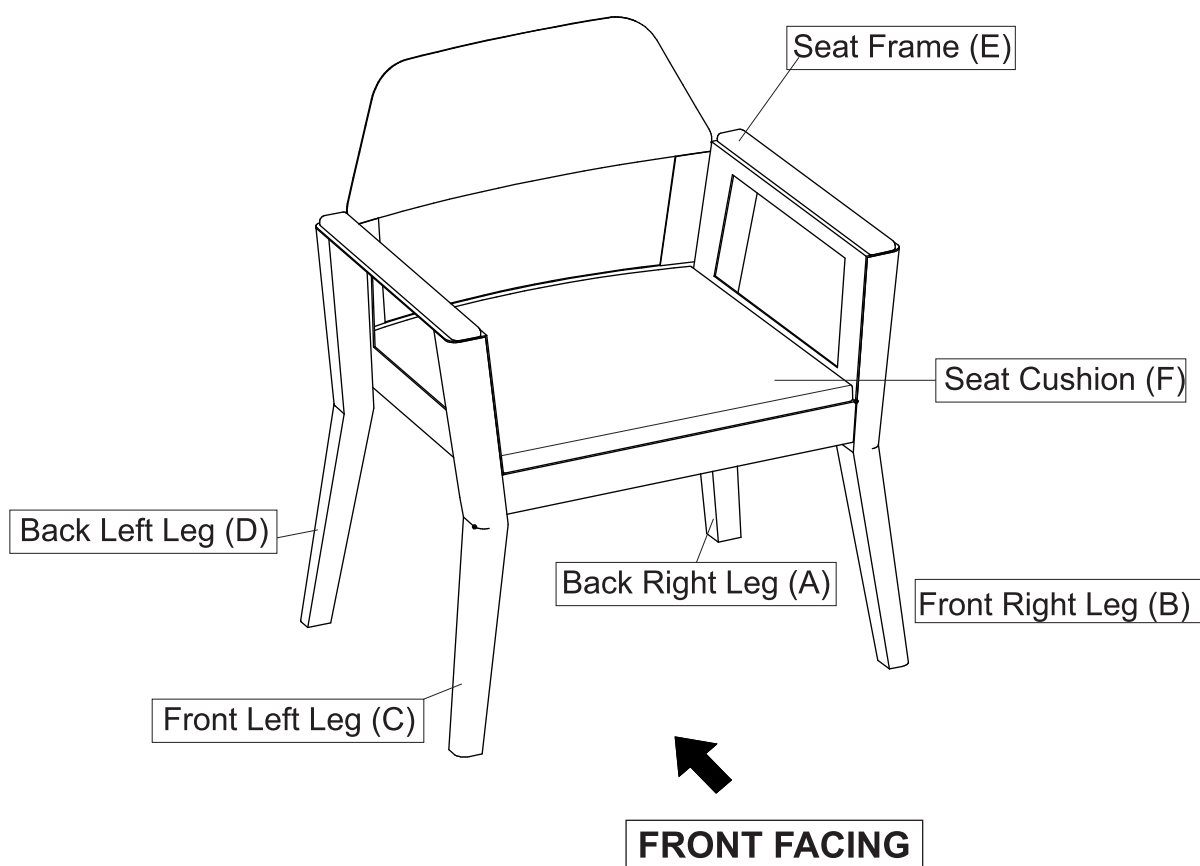
Assemble on a clean non-marring surface (packing foam).



Save all packaging until finished.

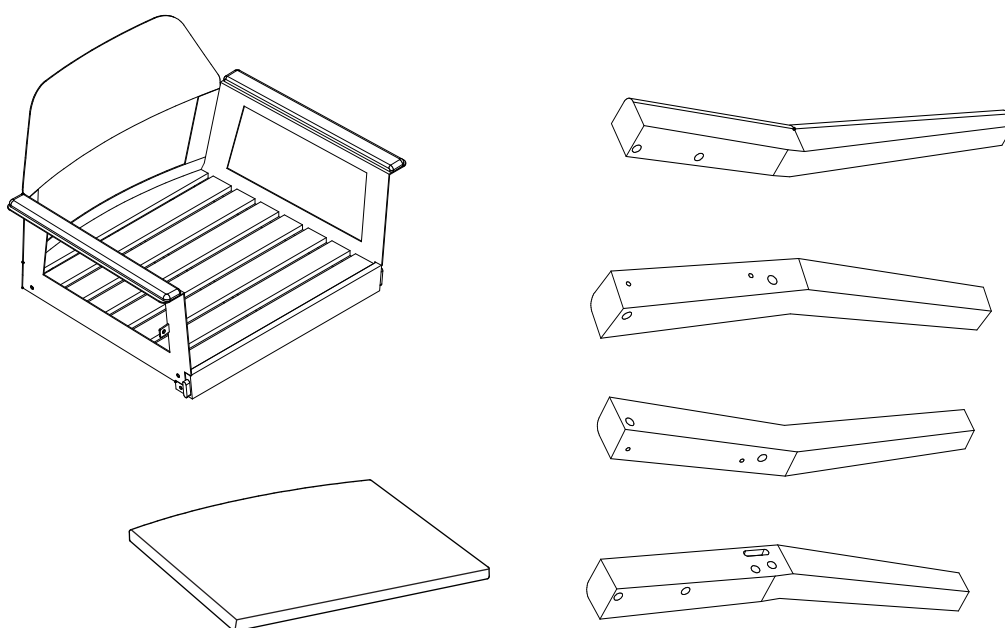
Assembly Steps

OVERVIEW



This Chair has multiple parts and may require up to 30 minutes to assemble. To give you an overview of the Chair parts, the above picture is to help you put the various parts into perspective. Please read through the instructions below to familiarise yourself with the parts and steps before assembly.

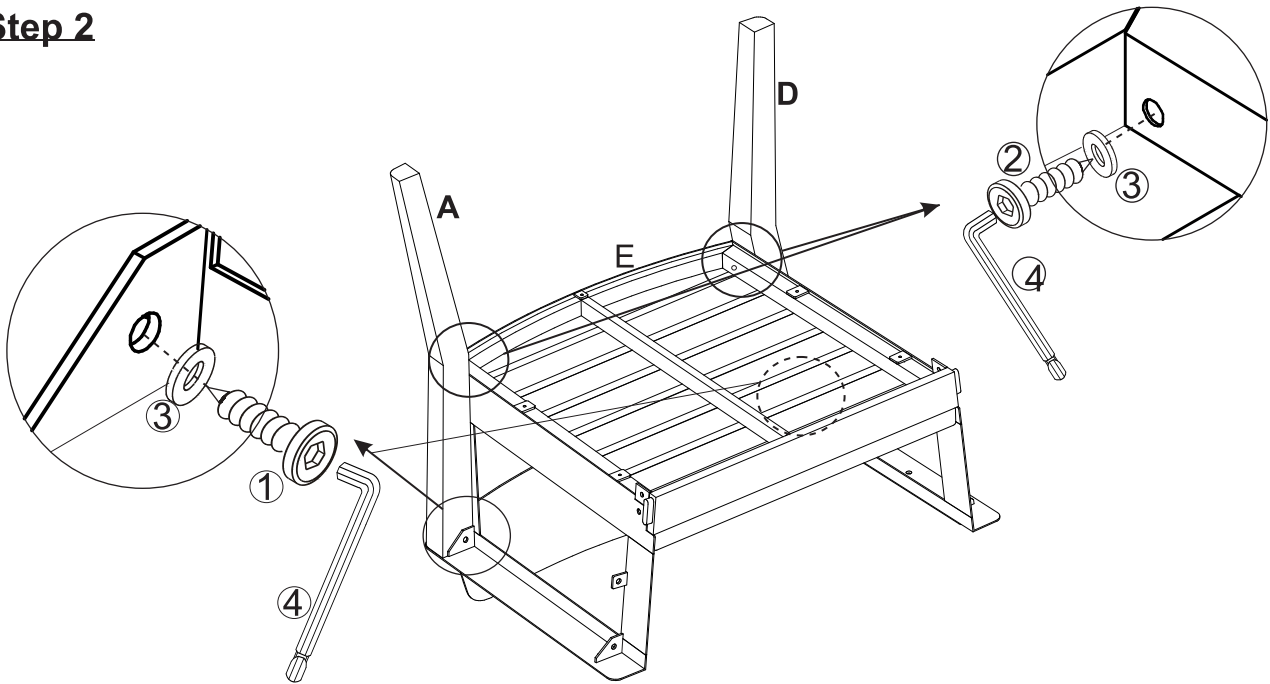
Step 1



Unpack and place all parts on a clean, non-marring surface.

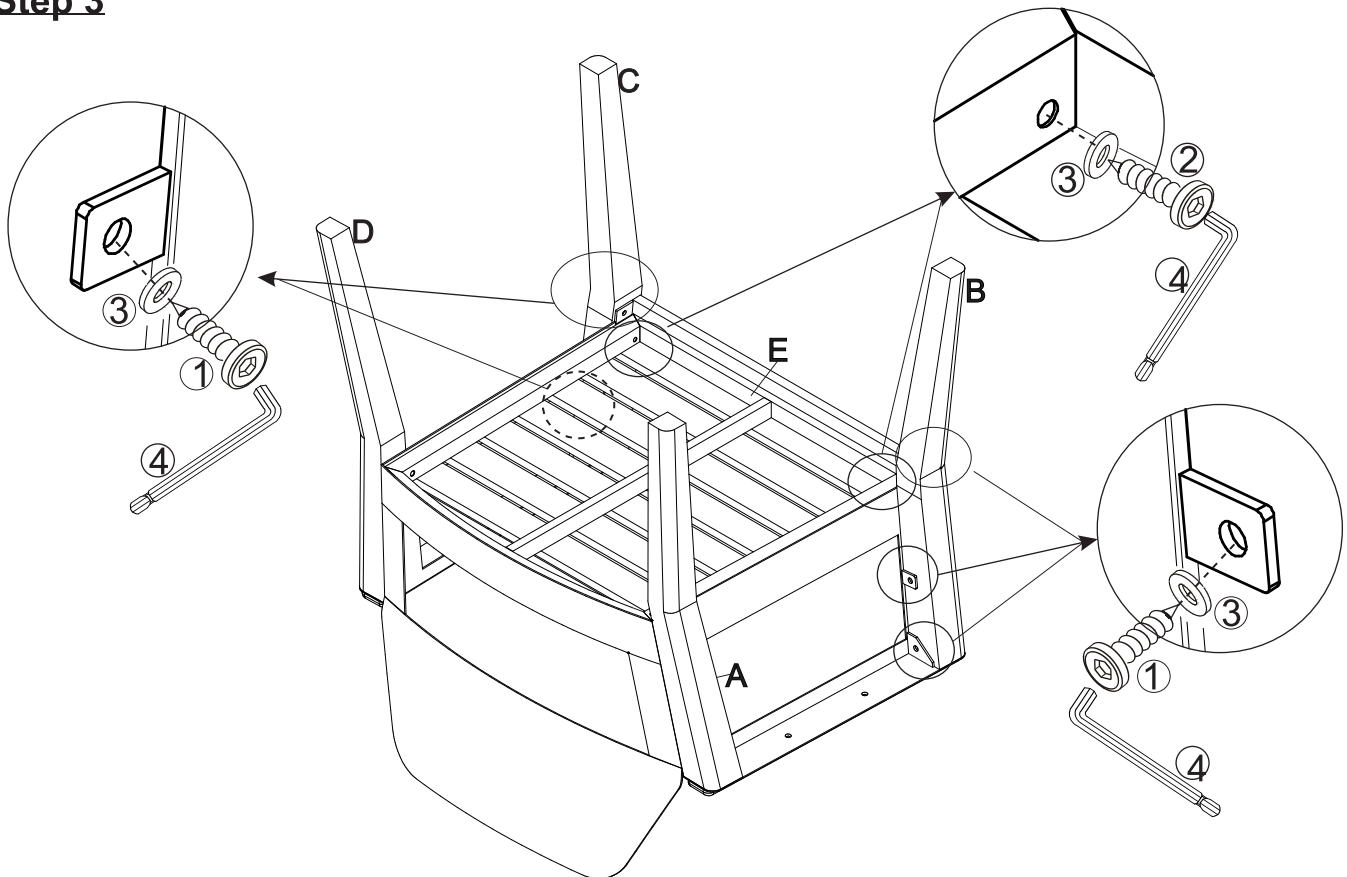
Assembly Steps

Step 2



Place the Seat Frame (E) facedown on a clean, non-marring surface as shown in above picture. Attach the Back Right Leg (A) and Back Left Leg (D) to the Seat Frame (E) by using Screw (1), Screws (2), Washers (3) and Allen Wrench (4). **Do not fully tighten the Screws.**

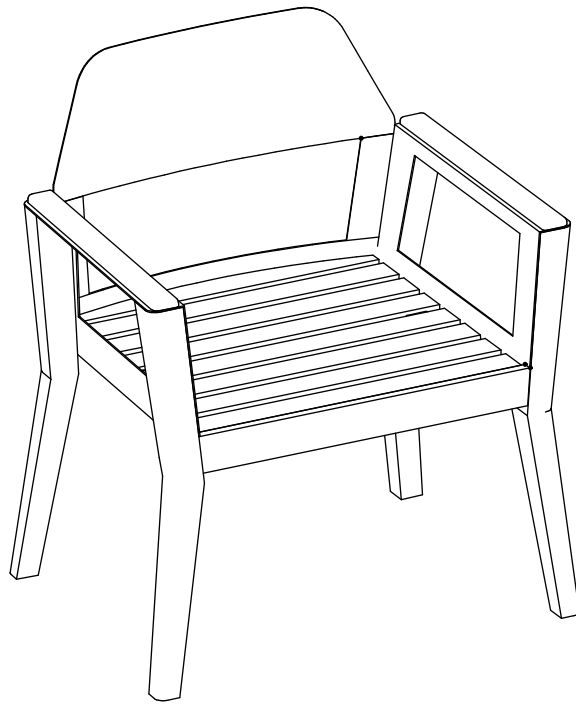
Step 3



Attach the Front Right Leg (B) and Front Left Leg (C) to the Seat Frame (E) using Screws (1), Screws (2), Washer (3) and Allen Wrench (4). **Do not fully tighten the Screws.**

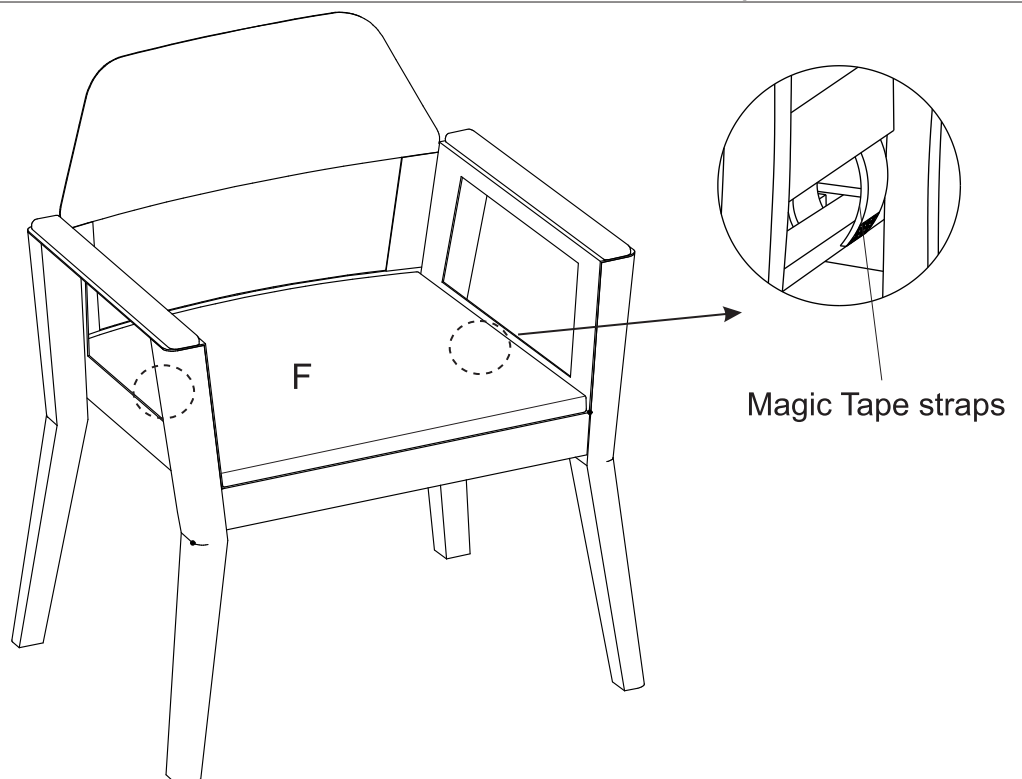
Assembly Steps

Step 4













With the assistance from your adult partner, turn the Chair right side up. Exert pressure floorwards, onto the Chair with both your hands. This pressure will help the Legs and Chair reach full alignment status. Check for wobbles on a LEVEL surface. If no wobbles are found proceed to tighten Screws in a sequential manner, until evenly secured. When tightening Screws tighten sequentially DO NOT tighten any Screw fully and then move on towards the next one. If there are still wobbles, loosen Screws and execute the same above process.

Step 5



Put Seat Cushion (F) onto the Chair.
Tie the Magic Tape straps of Seat Cushion(F) to the slats of Seat Frame (E).
Your Chair is ready for use.
This Chair can only be used on a flat, level surface.

Care & Maintenance

- ⊘  • Prolonged exposure to rain may cause rusting which can stain floors.
- ⊘  • Do not put hot items directly on furniture surface.
- ⊘  • Do not clean furniture with harsh cleansers or polish.
- ✓  • To obtain the longest lifespan of your outdoor products, minimizing exposure to direct sunlight is recommended.
- ⊘  • Children should not climb or jump on the furniture.
- ⊘  • Do not write on furniture without a padded barrier to protect the surface.
- ✓  • To obtain the longest lifespan of your outdoor products, avoid extended and lengthy exposure to rain, snow, and direct sunshine. Whenever possible cover the product and /or place under patio or awnings.
- ⊘  • Not for commercial use. For residential use only.
- ⊘  • Stains may be removed with mild soap solution and damp cloth..
- ✓  • Dust and pick-up spills using a clean, non-colored, lint-free cloth.