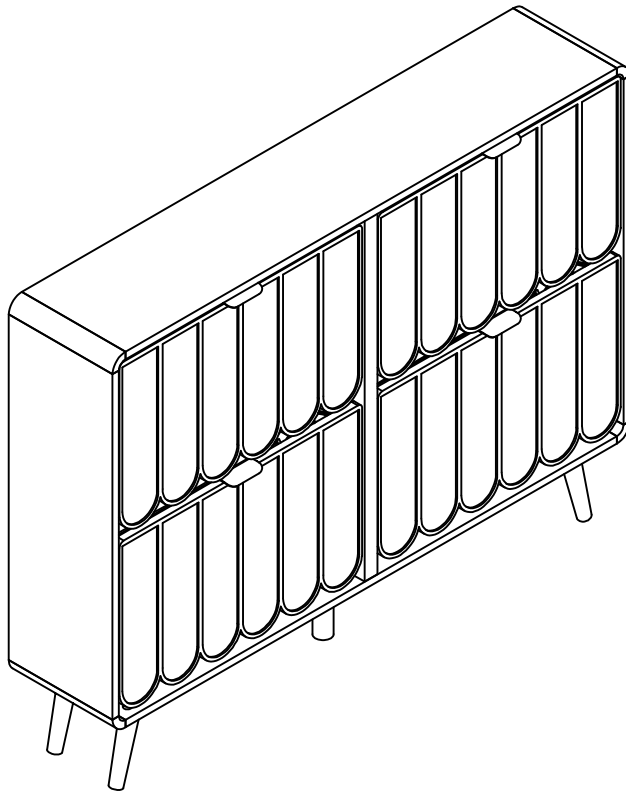


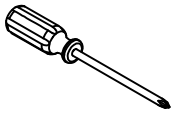
Installation Instruction



Assembling

What you need

- Use the packaging carton as a working surface to prevent product damage during assembly
- Phillips head screwdriver



Weight Limitation



100

lbs table top

35

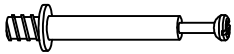
lbs per

What' included

| Code | Description | Qty |
|------|------------------------|-----|
| A | Cam Bolt M6X35MM | 22 |
| B | Cam Lock 15X10MM | 22 |
| C | Wooden Dowel M8X30MM | 10 |
| D | Screw M4X40MM | 4 |
| E | Screw M3.5X14MM | 26 |
| F | Inner Shaft | 8 |
| G | Stopper | 8 |
| H | External Shaft | 8 |
| I | Screw M3.5X14MM | 56 |
| J | Metal connector | 2 |
| K | Anchor | 2 |
| L | Left Plastic Holder | 4 |
| M | Hole position sticker | 22 |
| N | Screw M4X10MM | 8 |
| O | Metal shake handhandle | 4 |
| P | The metal plate | 4 |
| Q | The Mats | 4 |
| R | Right Plastic Holder | 4 |
| S | Adjustable foot pads | 1 |
| T | The metal plate | 1 |

The Hardwares

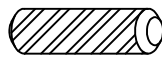
Ⓐ



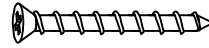
Ⓑ



Ⓒ



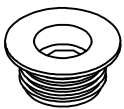
Ⓓ



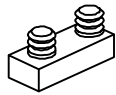
Ⓔ



Ⓕ



Ⓖ



Ⓗ



Ⓘ



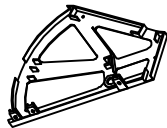
Ⓙ



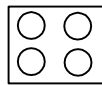
Ⓚ



Ⓛ



Ⓜ



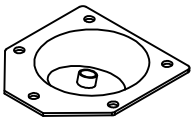
Ⓝ



Ⓞ



Ⓟ



Ⓠ



Ⓡ



Ⓢ



Ⓣ



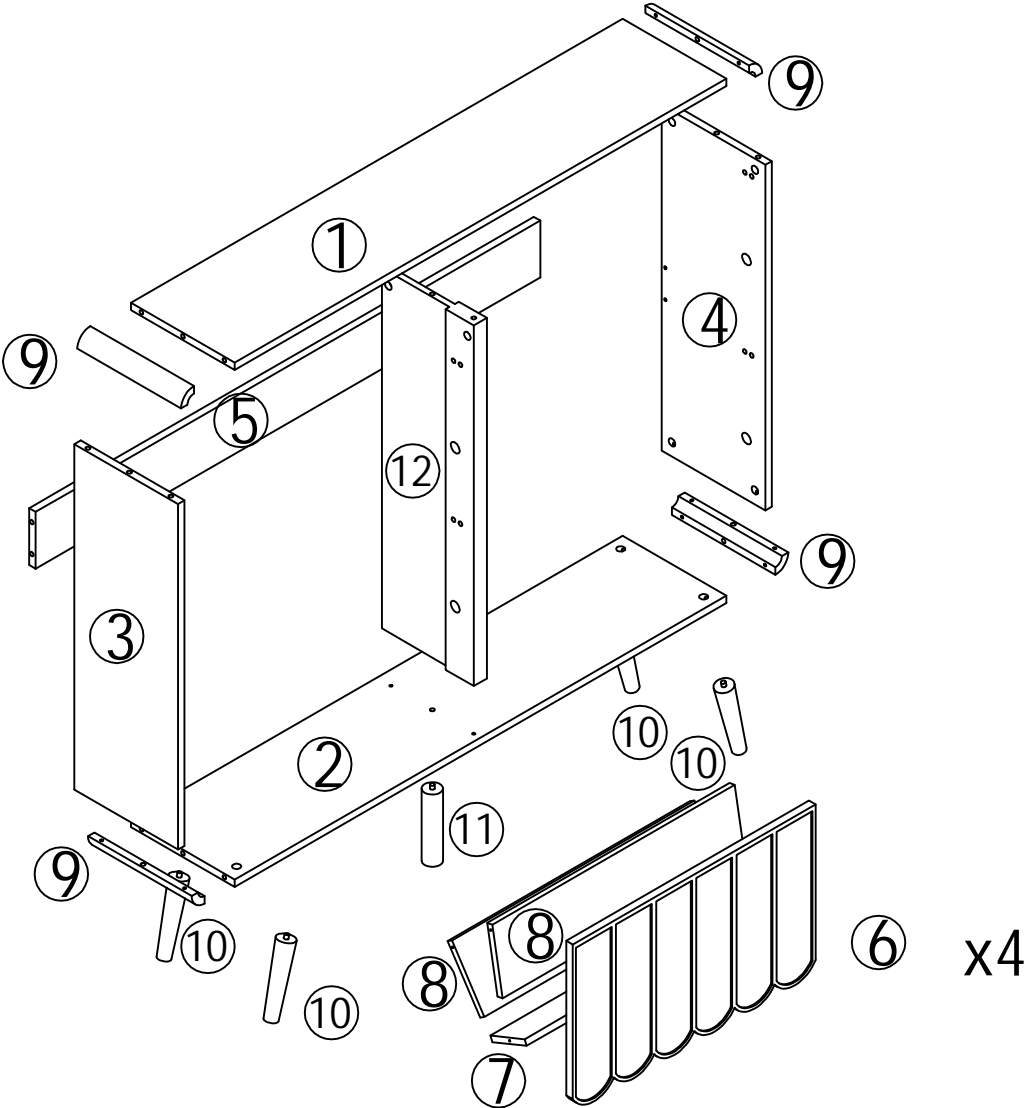
IMPORTANT:

1. Do not tighten bolts / screws completely until all bolts / screws are lined up and inserted into holes.
2. Do not over tighten screws and bolts to avoid stripping
3. Please use hand tools to assemble this product, you can also use power tools (please use power tools carefully).

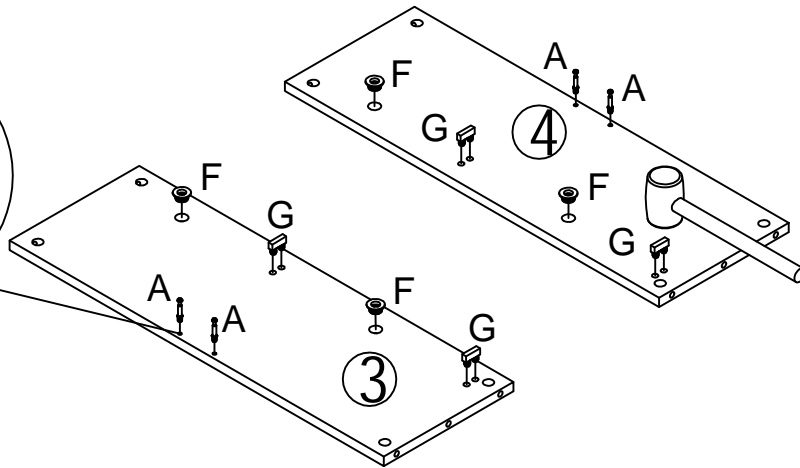
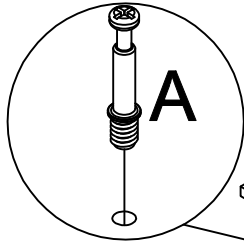
Included Accessories

| Code | Description | Qty |
|------|-----------------------|-----|
| 1 | Cabinet Top | 1 |
| 2 | Bottom Panel | 1 |
| 3 | Left Side Panel | 1 |
| 4 | Right Side Panel | 1 |
| 5 | Back stiffener | 1 |
| 6 | Door | 4 |
| 7 | Inner lamella | 4 |
| 8 | Large inner plate | 8 |
| 9 | Curved strip | 4 |
| 10 | Solid wood feet | 4 |
| 11 | wood feet | 1 |
| 12 | Middle Division Panel | 1 |

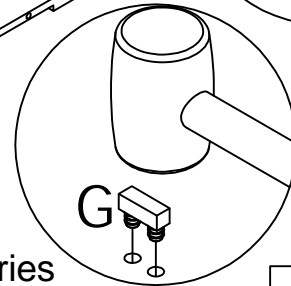
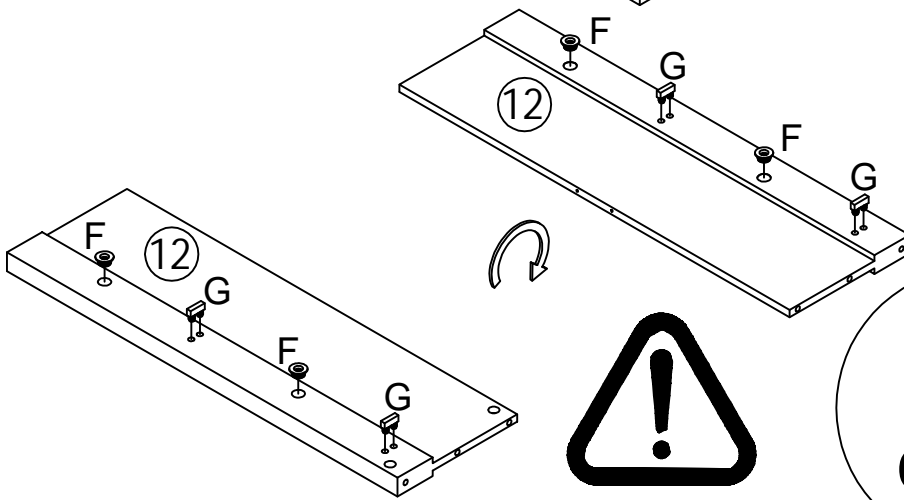
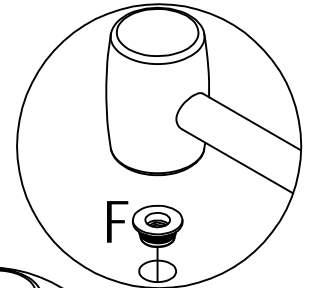
The Accessoriess



Step 1

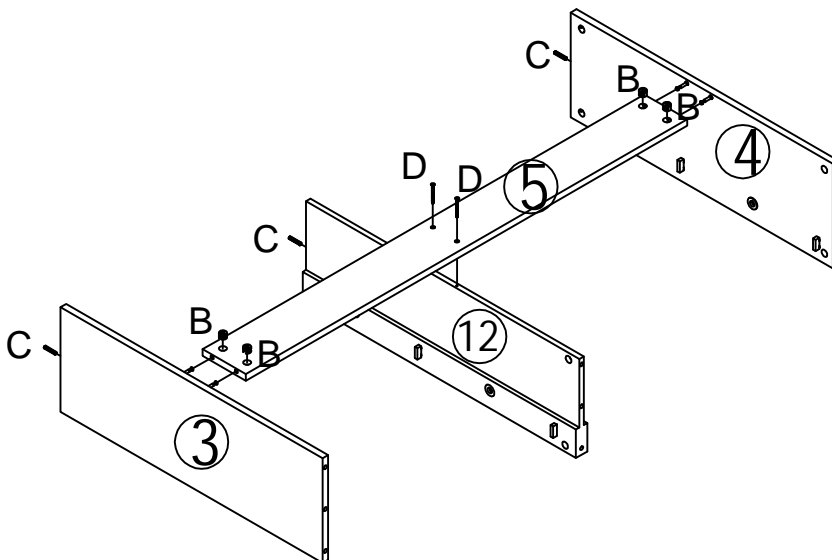
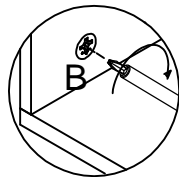
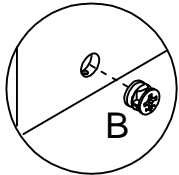
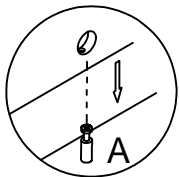


| | |
|---|----|
| A | x4 |
| | |
| F | x8 |
| | |
| G | x8 |
| | |

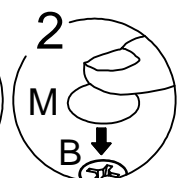


Step 2

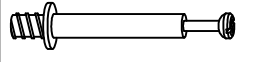
Please strike the accessories F and G forcefully into the board.

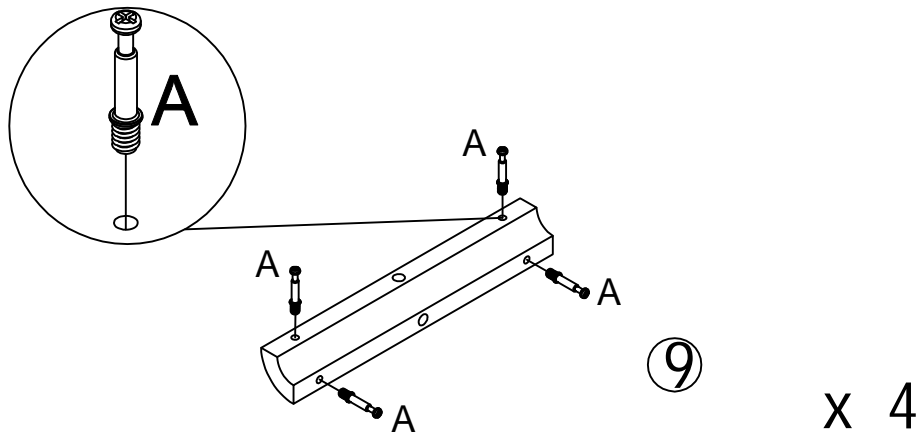


| | |
|---|----|
| B | x4 |
| | |
| M | x4 |
| | |
| C | x3 |
| | |
| D | x2 |
| | |

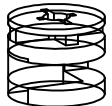
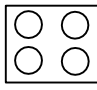



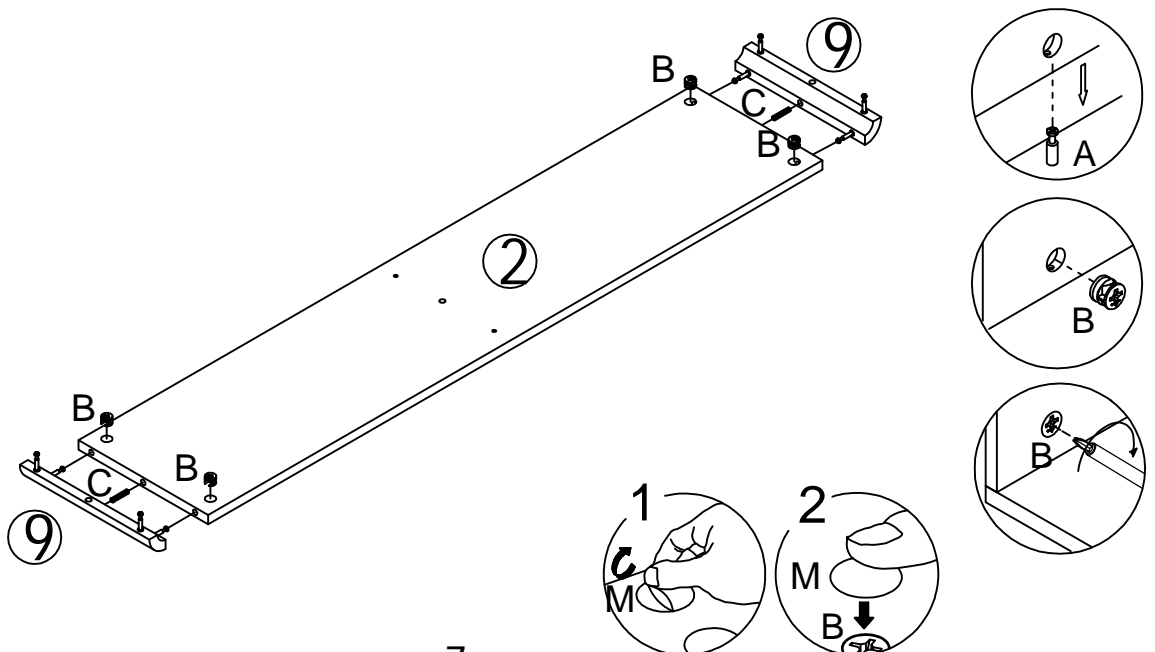
Step 3

| | |
|---|-----|
| A | x16 |
|  | |

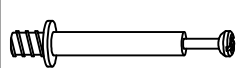
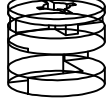
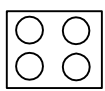
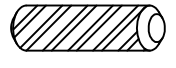


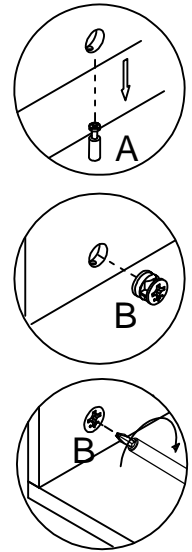
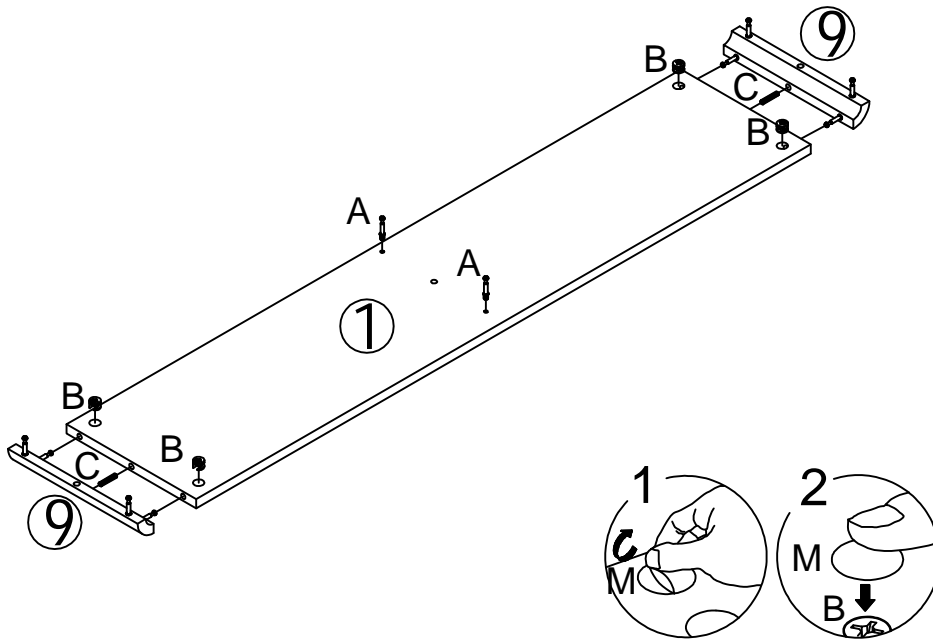
Step 4

| | | | | | |
|---|----|---|----|---|----|
| B | x4 | M | x4 | C | x2 |
|  | |  | |  | |

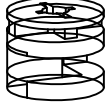
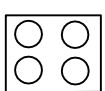
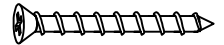


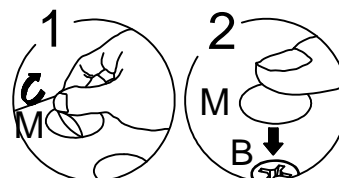
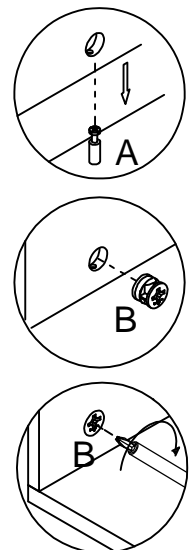
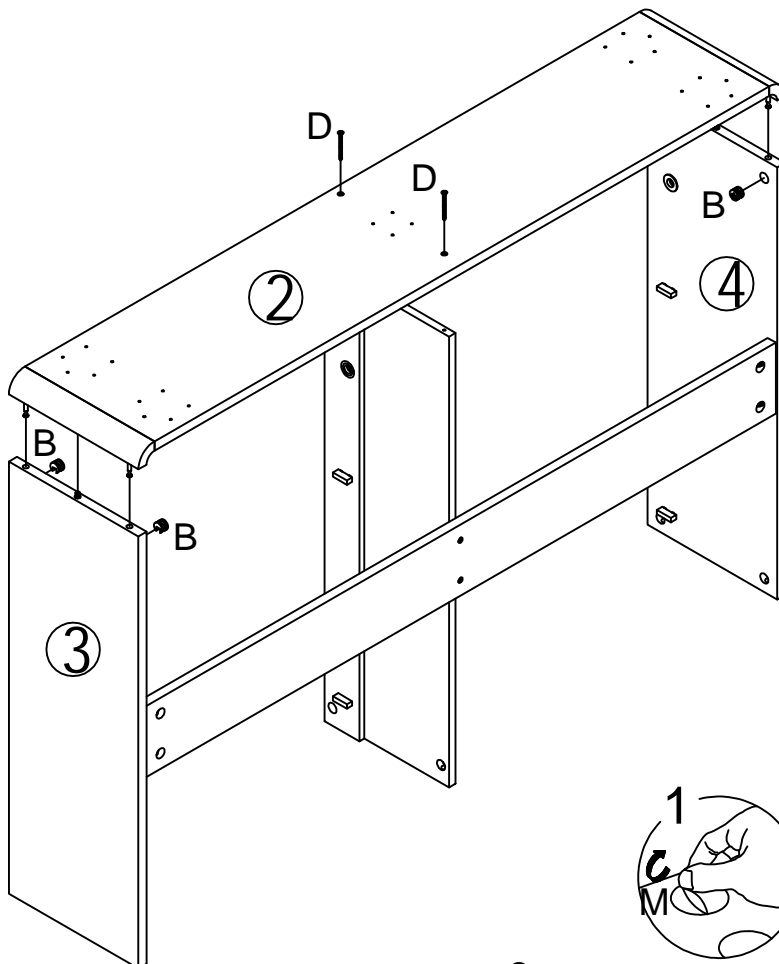
Step 5

| | | | | | | | |
|---|-----|---|----|---|----|---|----|
| A | x 2 | B | x4 | M | x4 | C | x2 |
|  | |  | |  | |  | |

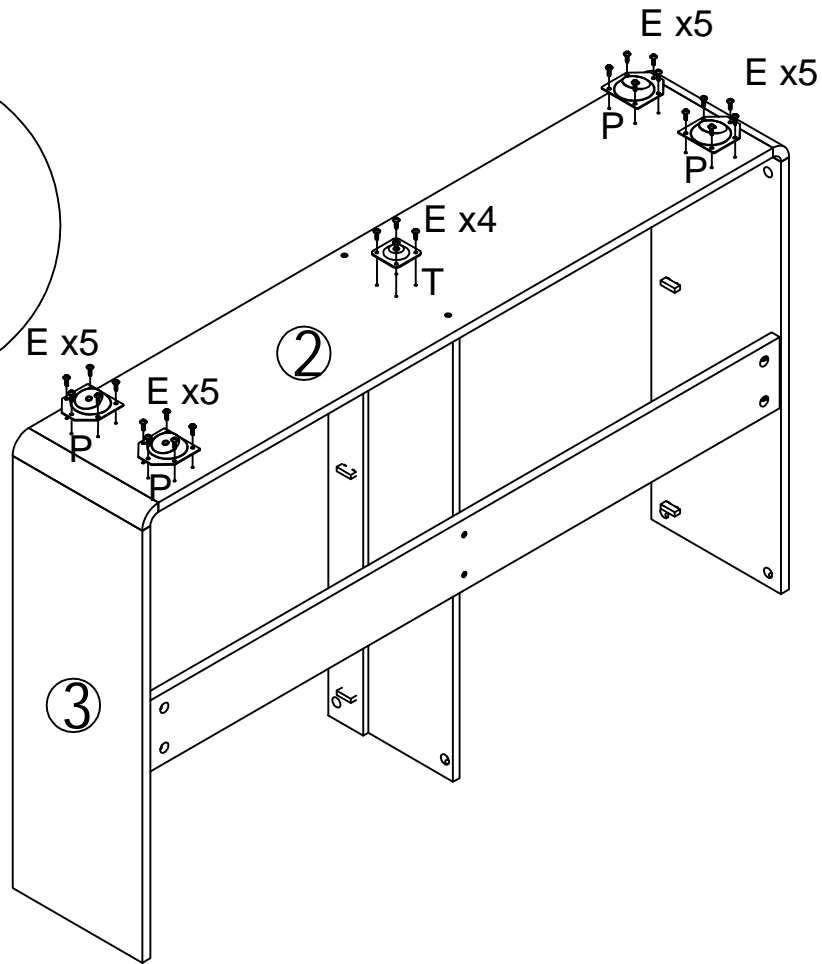
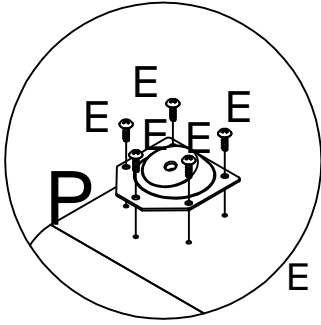


Step 6

| | | | | | |
|---|----|---|----|---|----|
| B | x4 | M | x4 | D | x2 |
|  | |  | |  | |



Step 7

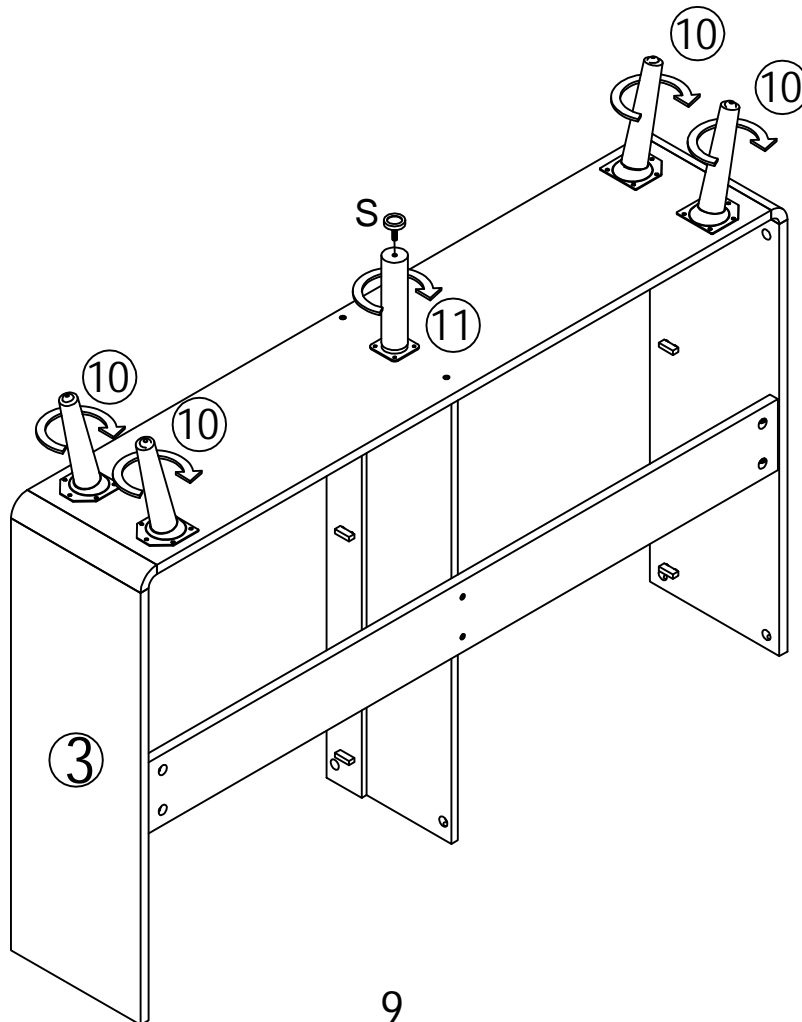
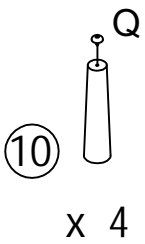


| | |
|---|-----|
| E | x24 |
| | |

| | |
|---|----|
| T | x1 |
| | |

| | |
|---|----|
| P | x4 |
| | |

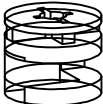
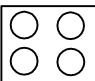
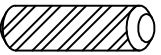
Step 8

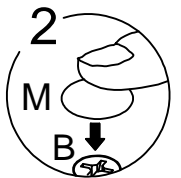
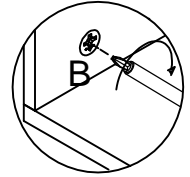
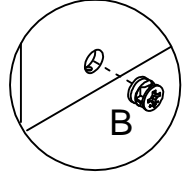
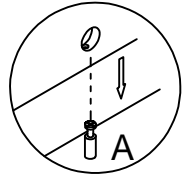
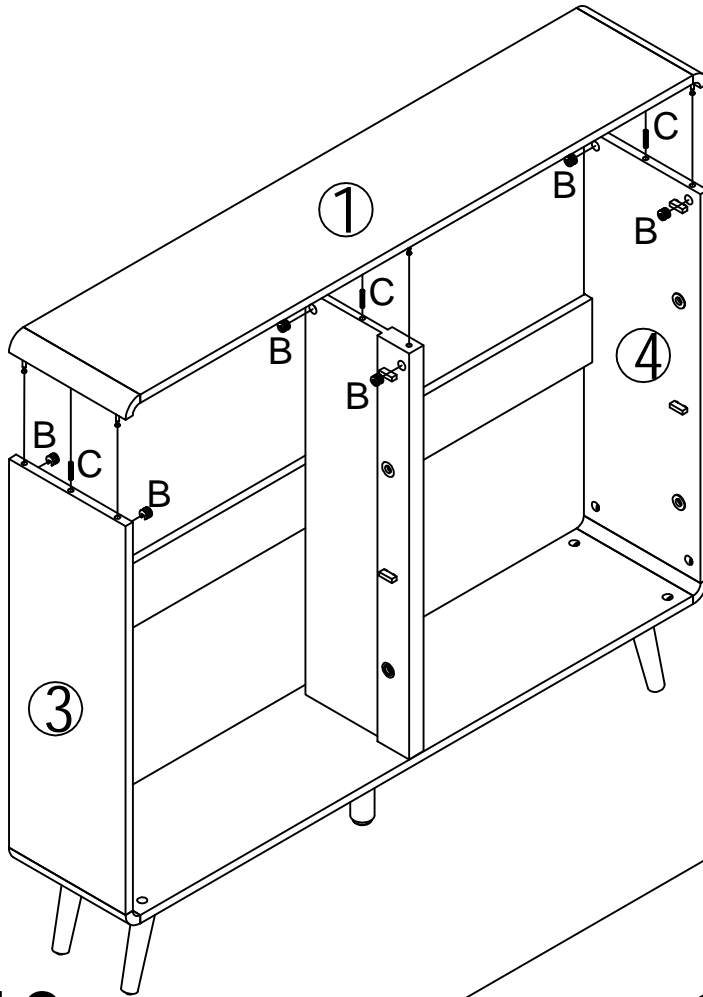


| | |
|---|----|
| S | x1 |
| | |

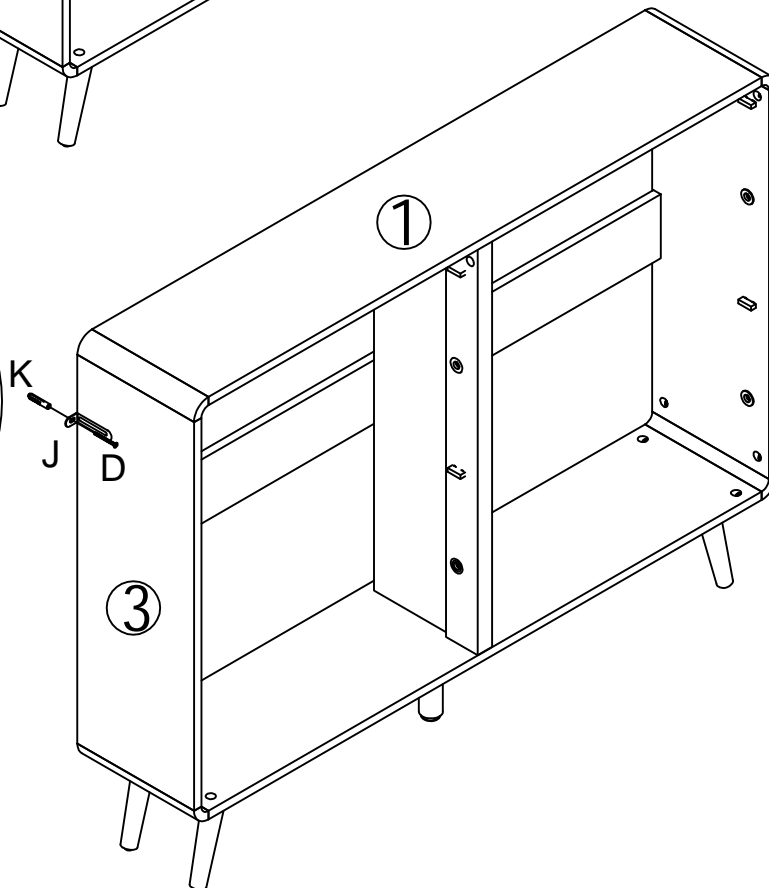
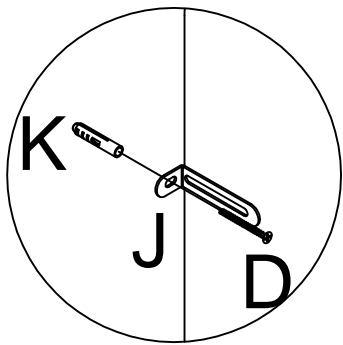
| | |
|---|----|
| Q | x4 |
| | |

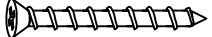
Step 9


| | | | | | |
|---|----|---|----|---|----|
| B | x6 | M | x6 | C | x3 |
|  | |  | |  | |

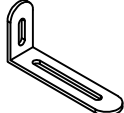


Step 10

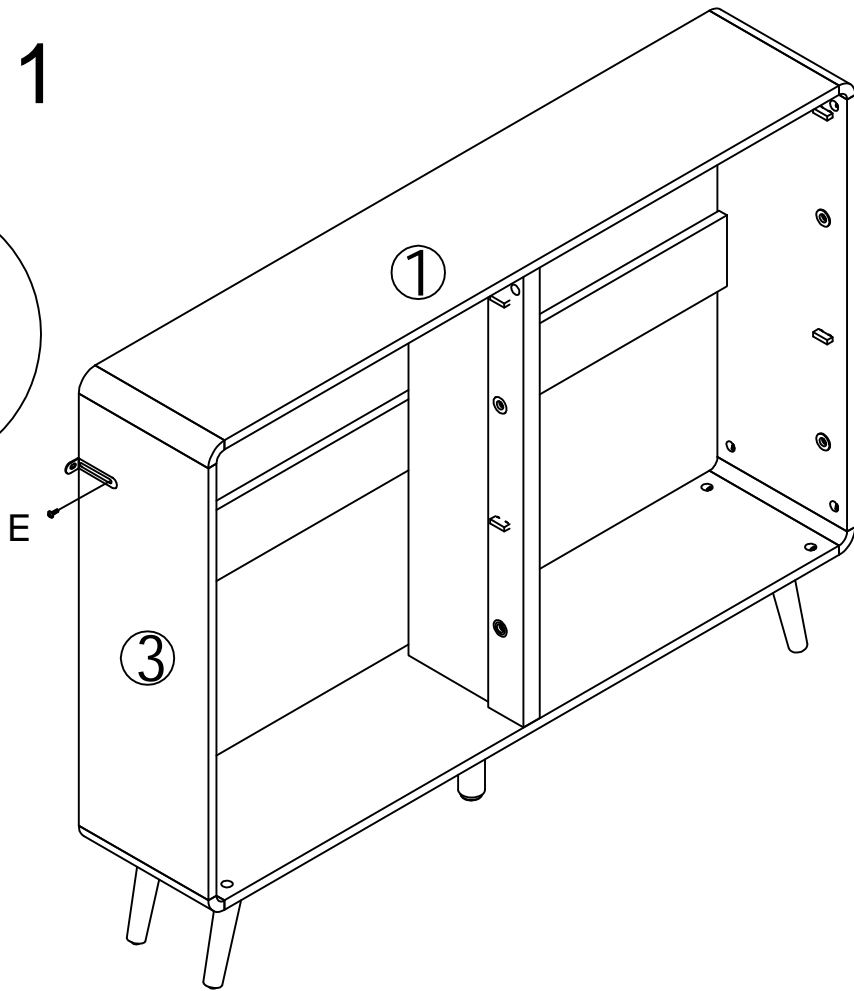
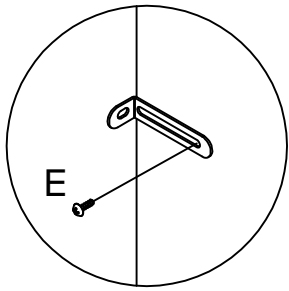


| | |
|---|-----|
| D | x 2 |
|  | |

| | |
|---|-----|
| K | x 2 |
|  | |

| | |
|---|-----|
| J | x 2 |
|  | |

Step 11



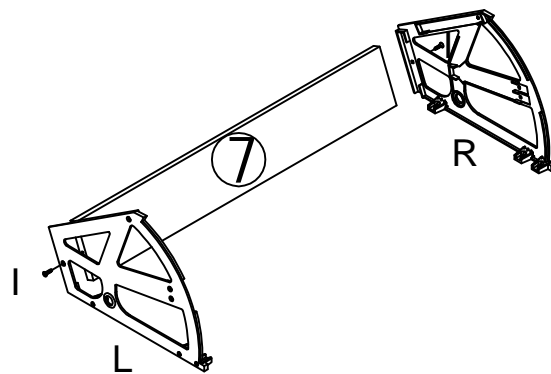
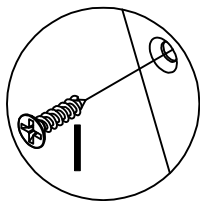
| | |
|---|----|
| E | x2 |
| | |

Step 12

| | |
|---|-----|
| L | x 4 |
| | |

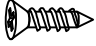
| | |
|---|-----|
| R | x 4 |
| | |

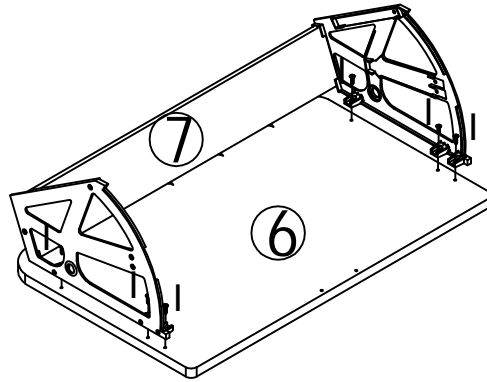
| | |
|---|-----|
| I | x 8 |
| | |



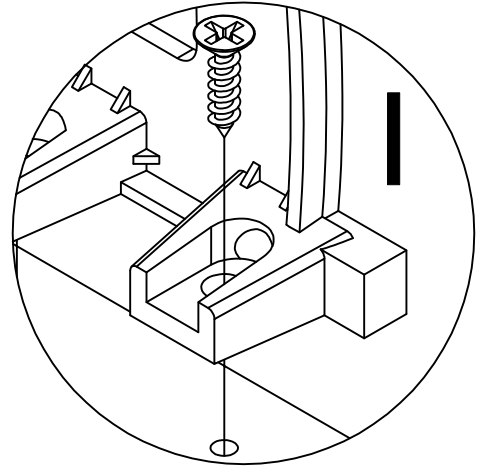
x4

Step 13


| | |
|---|-----|
| I | x24 |
|  | |

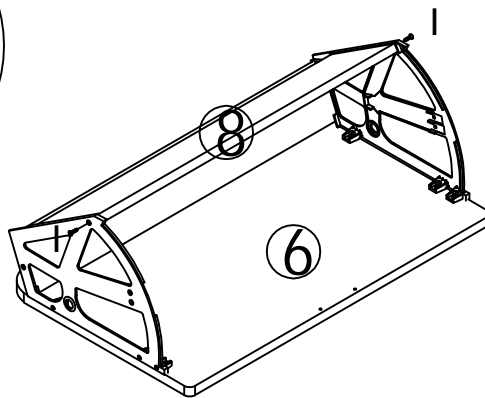
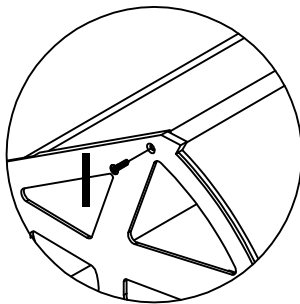


x4





Step 14

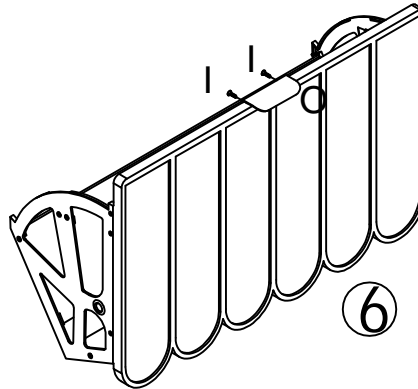
| | |
|---|-----|
| I | x 8 |
|  | |



x4



Step 15

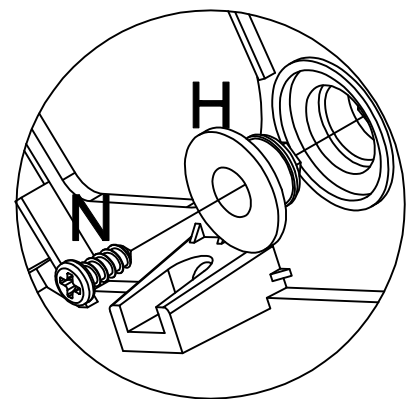
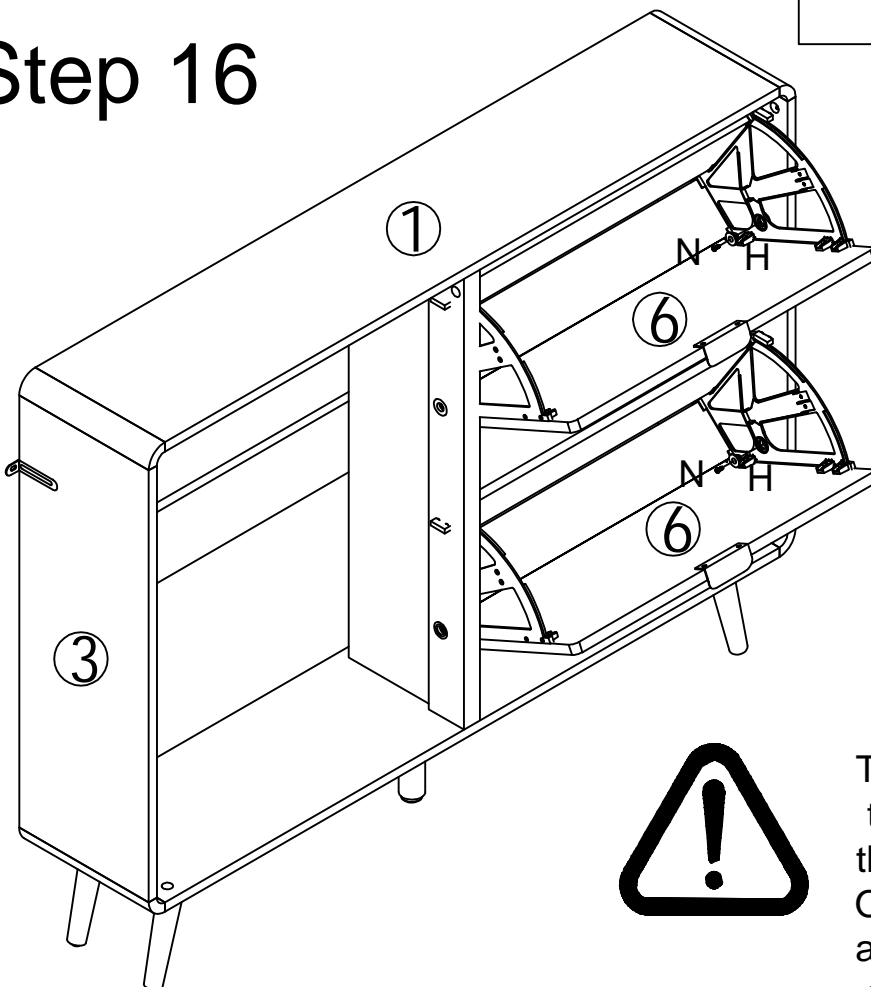
| | |
|---|-----|
| I | x 8 |
|  | |
| O | x 4 |
|  | |



x4

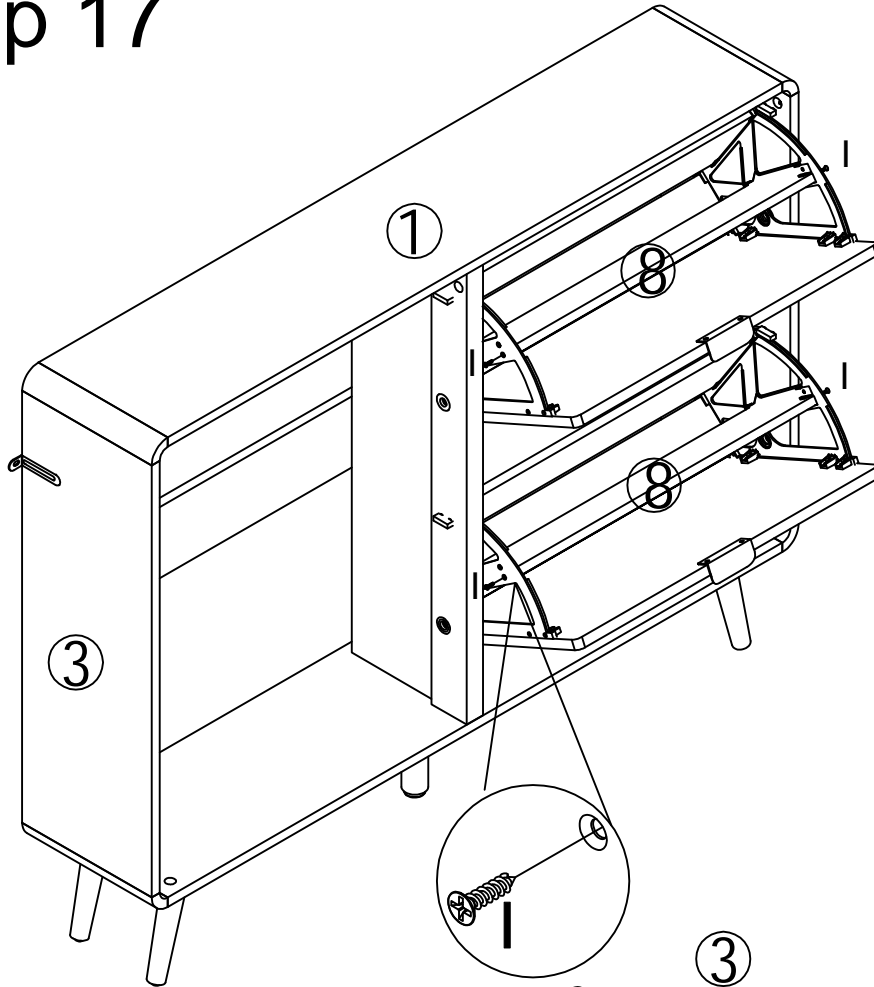
Step 16


| | |
|---|-----|
| H | x 4 |
|  | |
| N | x 4 |
|  | |



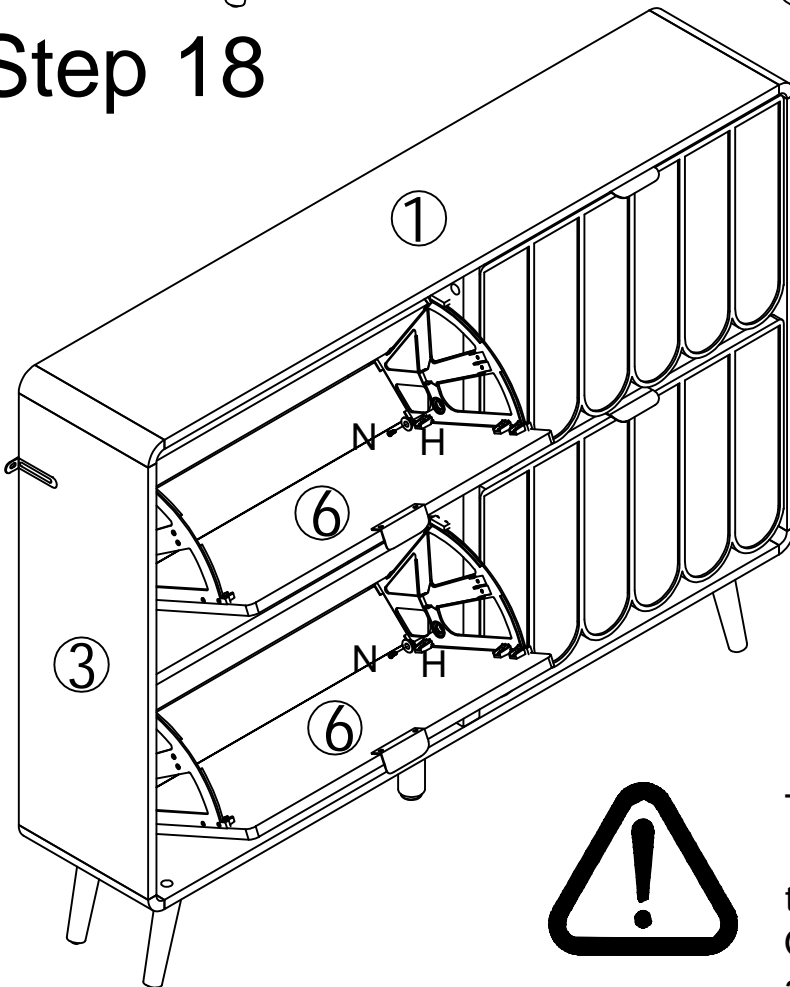
Take care to lock part N to the middle hole of part F. Otherwise, the part F of the accessory will be damaged, resulting in failure to lock.


Step 17




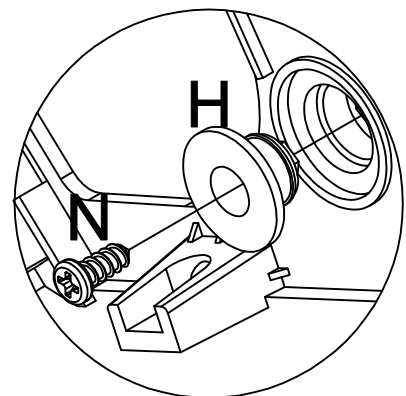
| | |
|---|-----|
| I | x 4 |
|  | |

Step 18




| | |
|---|-----|
| H | x 4 |
|  | |

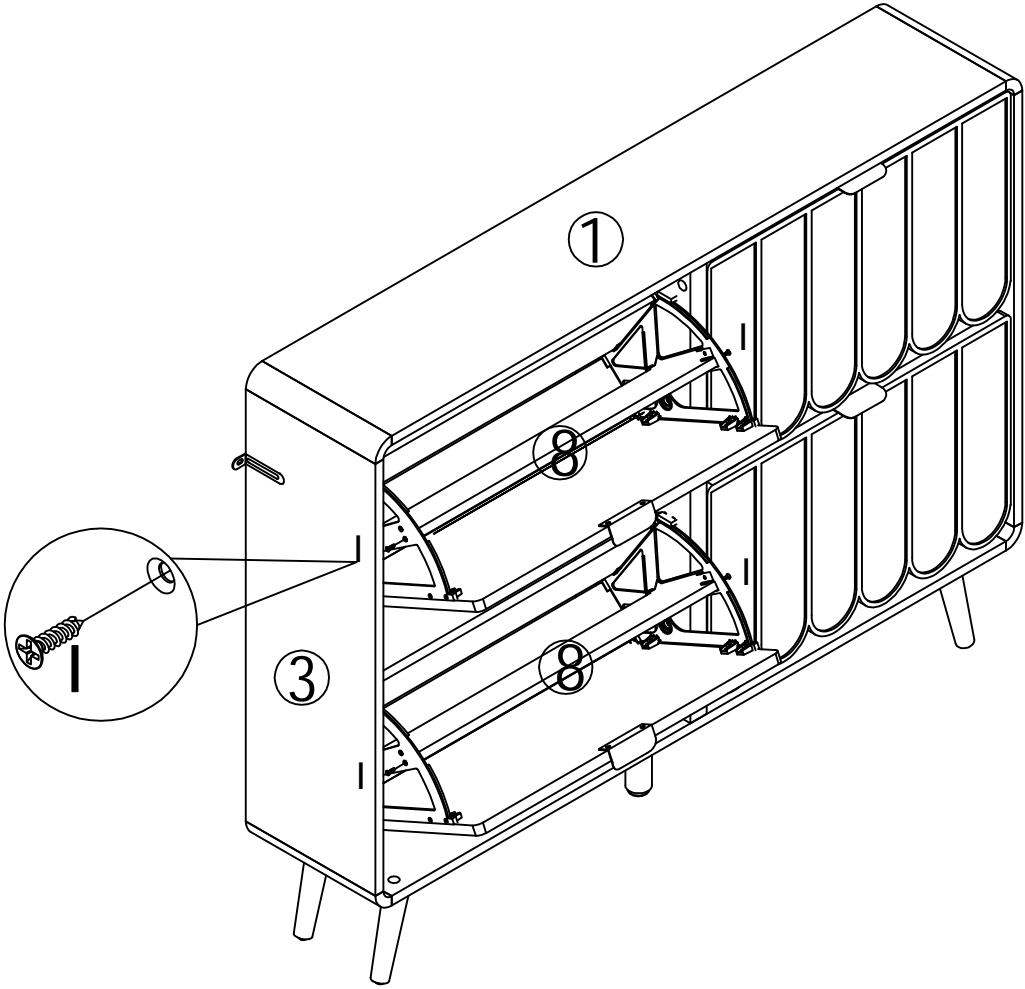
| | |
|---|-----|
| N | x 4 |
|  | |

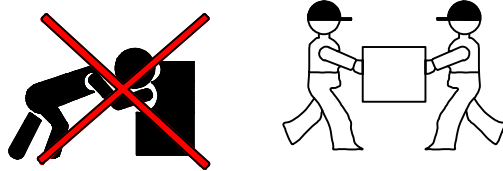
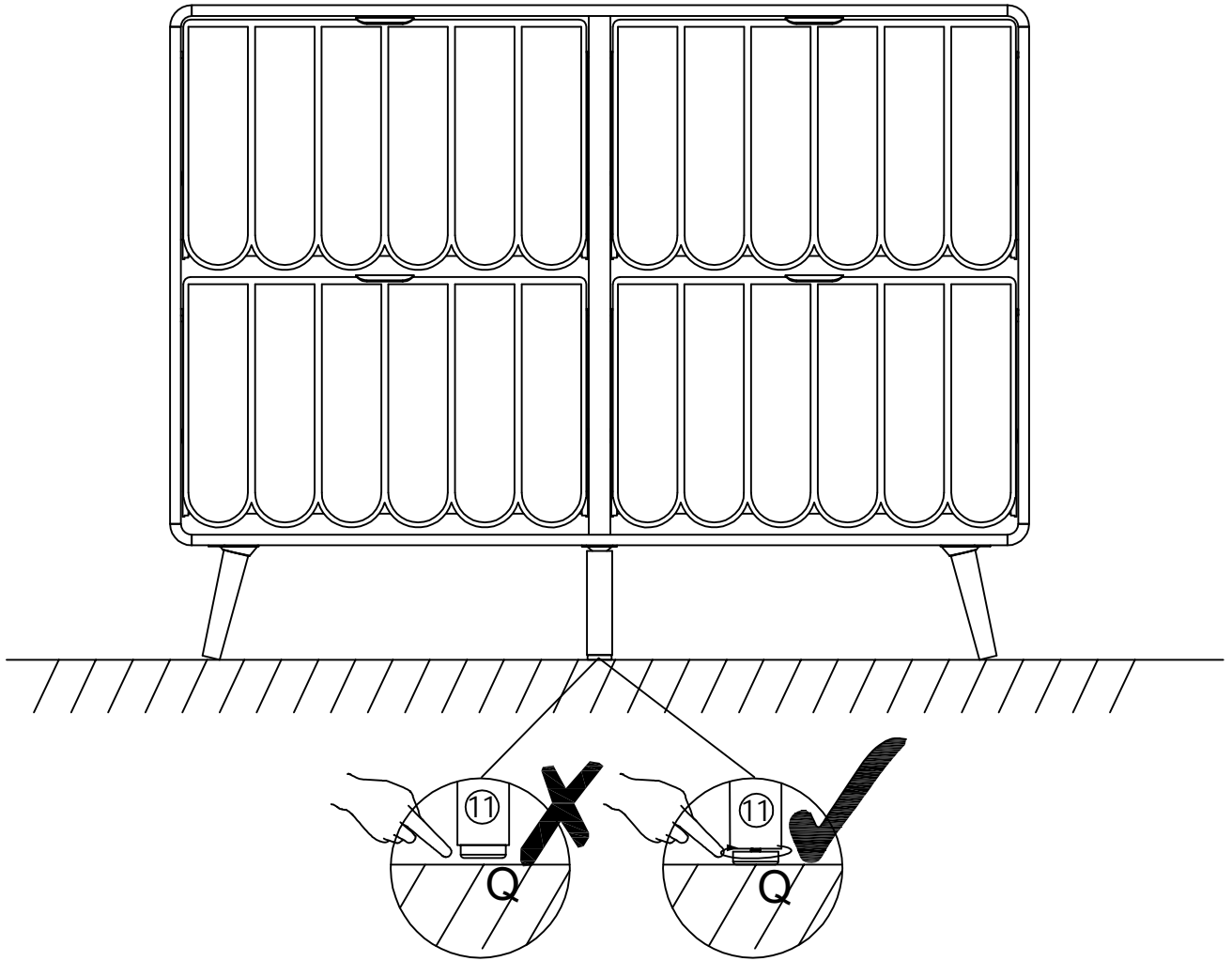


Take care to lock part N to the middle hole of part F. Otherwise, the part F of the accessory will be damaged, resulting in failure to lock.

Step 19

| | |
|---|-----|
| I | x 4 |
|  | |





Two people work together to move the table.
Make sure you lift it off the ground.
Don't push and pull.