

PROBRITE®

LED Security Flood Light

Catalog No. : FSNX50-PC-4K-BZ

Type : Flood/Wallpack

Project Name :

Location :

Qty :

Date :



PROBRITE's incredibly versatile and reliable LED Flood Light with optional wallpack mount kit offers a wide range of outdoor security lighting applications, including landscape lighting, building perimeter lighting, driveway, or even signage lighting. PROBRITE's FUSION X Dark Bronze 45-Watt LED Wall Pack offers 4000K of bright white light and emits 5000 Lumens of brightness, which is powerful enough to illuminate any space. The light comes with two mounting options, wall/eave mount using the mounting plate and swivel knuckle flood mount.

FLOOD MOUNT
OPTION



PRODUCT PERFORMANCE AT A GLANCE

SYSTEM WATTAGE	LUMENS	LPW	CRI	REPLACES (Incandescent)
45W	5000 lm	100 lm/w	>70	350W



DUSK-TO-DAWN

HOUSING

Die cast aluminum housing with corrosion resistant powder-coated paint finish. It is designed to ensure cooling by natural convection and passive airflow, to let driver perform efficiently

IP RATING & LISTINGS

LED light engine is weather proof and water tight rated IP65. UL Listed, suitable for Wet Location.

OPTICS

Clear polycarbonate lens, does not alter beam and provide focused and clear lighting output.

MOUNTING

It can be mount on wall or eave and can also mount on ground as well with swivel knuckle flood mount.

FINISH

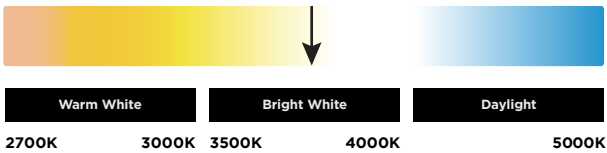
Fade, weather, and abrasion resistant, electrostatically applied, thermally cured, triglycidal isocyanurate (TGIC) textured polyester powdercoat bronze paint finish.

WARRANTY

Covered by a 5-year limited warranty. See probrite.com/warranty for details.

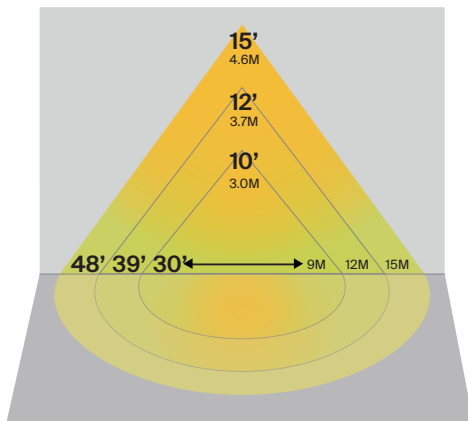
PRODUCT SPECIFICATION

Product Dimensions	: 9.90" x 7.79" x 1.85"
Weight	: 1.9 lbs
Lumens	: 5000
LED Wattage	: 45W
Efficacy	: 100
CRI	: >70
Replaces (Incandescent)	: 350W
Mounting	: Wall Mount/Eave Mount
Frequency	: 50-60Hz
THD (Total Harmonic Distortion)	: <20%
PF(Power Factor)	: >0.9
Ambient Operating Temperature	: (-30)-40°C
Input Voltage	: 120-277V
LED Chip	: -
Photocell	: Yes
Driver	: Non-dimming
Standard Lifetime	: 50,000 hrs
Standard Warranty	: 5 Years
Water Proofing Grade	: Suitable for wet location
CCT	: 4000K Bright White Light
Certifications	: IP 65, Energy Star, FCC Certified, UL Certified

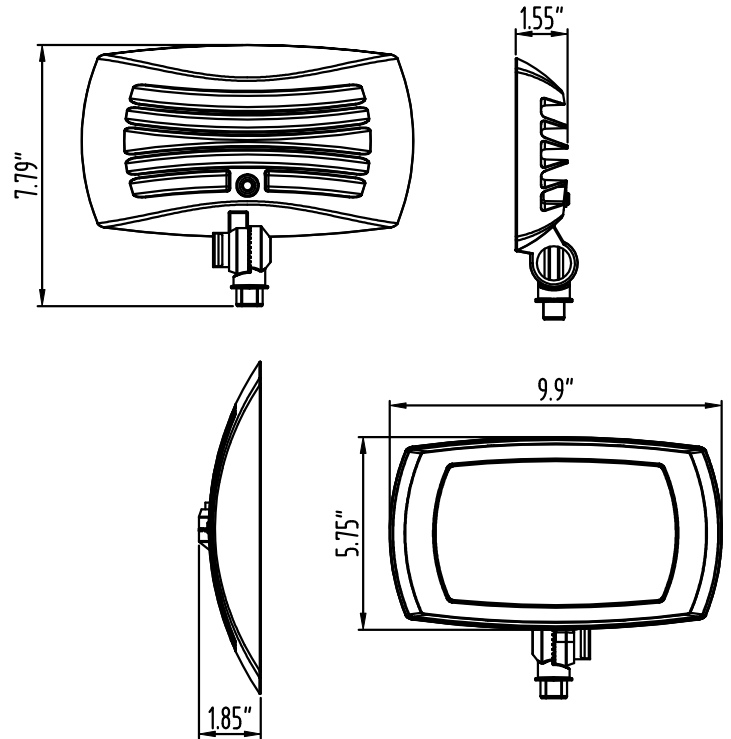


SUGGESTED MOUNTING HEIGHT:
6-12 FT.(1.8-3.7 M)

3D PHOTOMETRIC VIEW



PRODUCT LINE DRAWING



APPLICATION

SUITABLE FOR MULTIPLE APPLICATIONS

- SECURITY • GENERAL LIGHTING • ENTRYWAYS
- DRIVEWAYS • BACKYARDS • SIGNAGE

