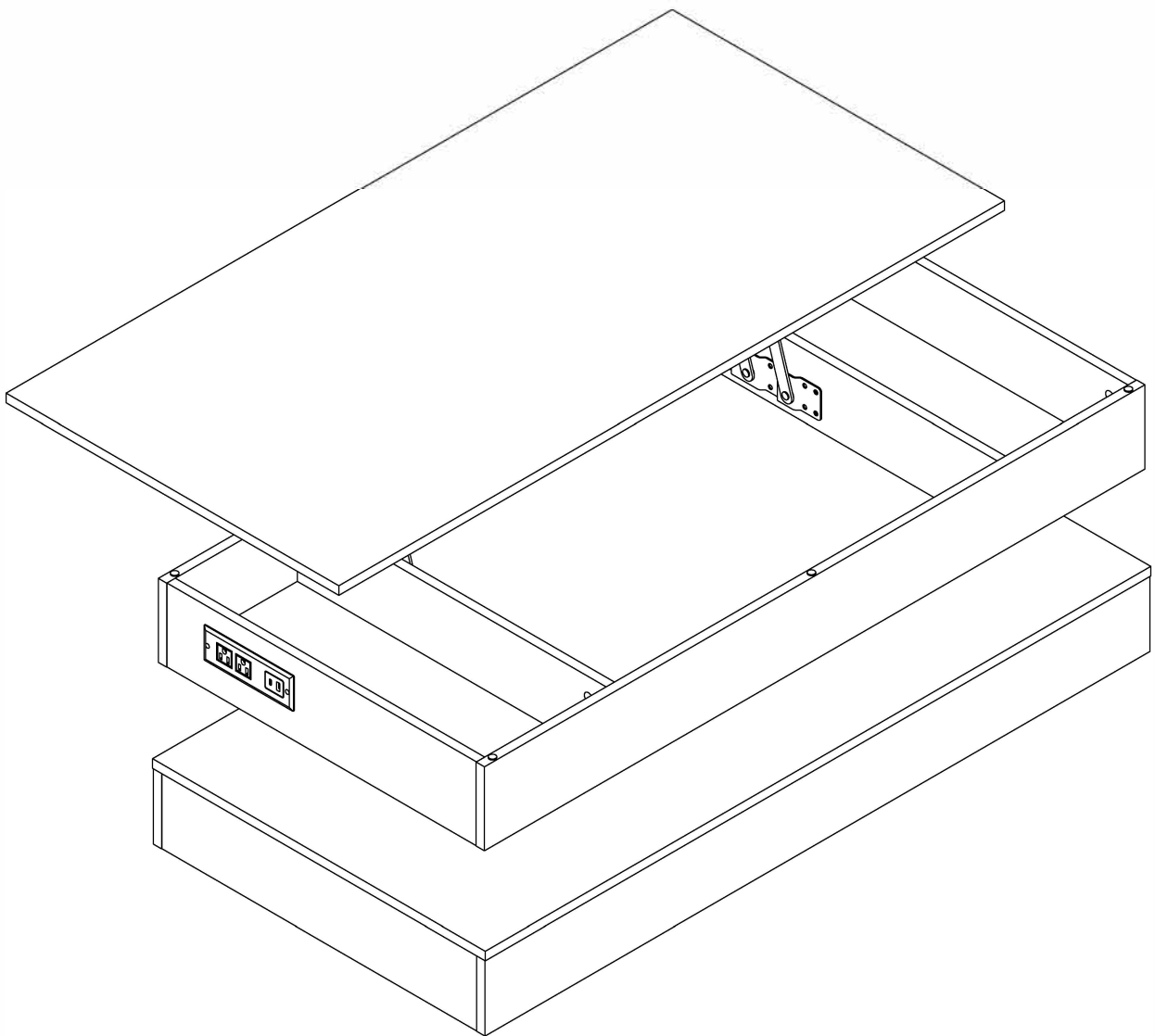
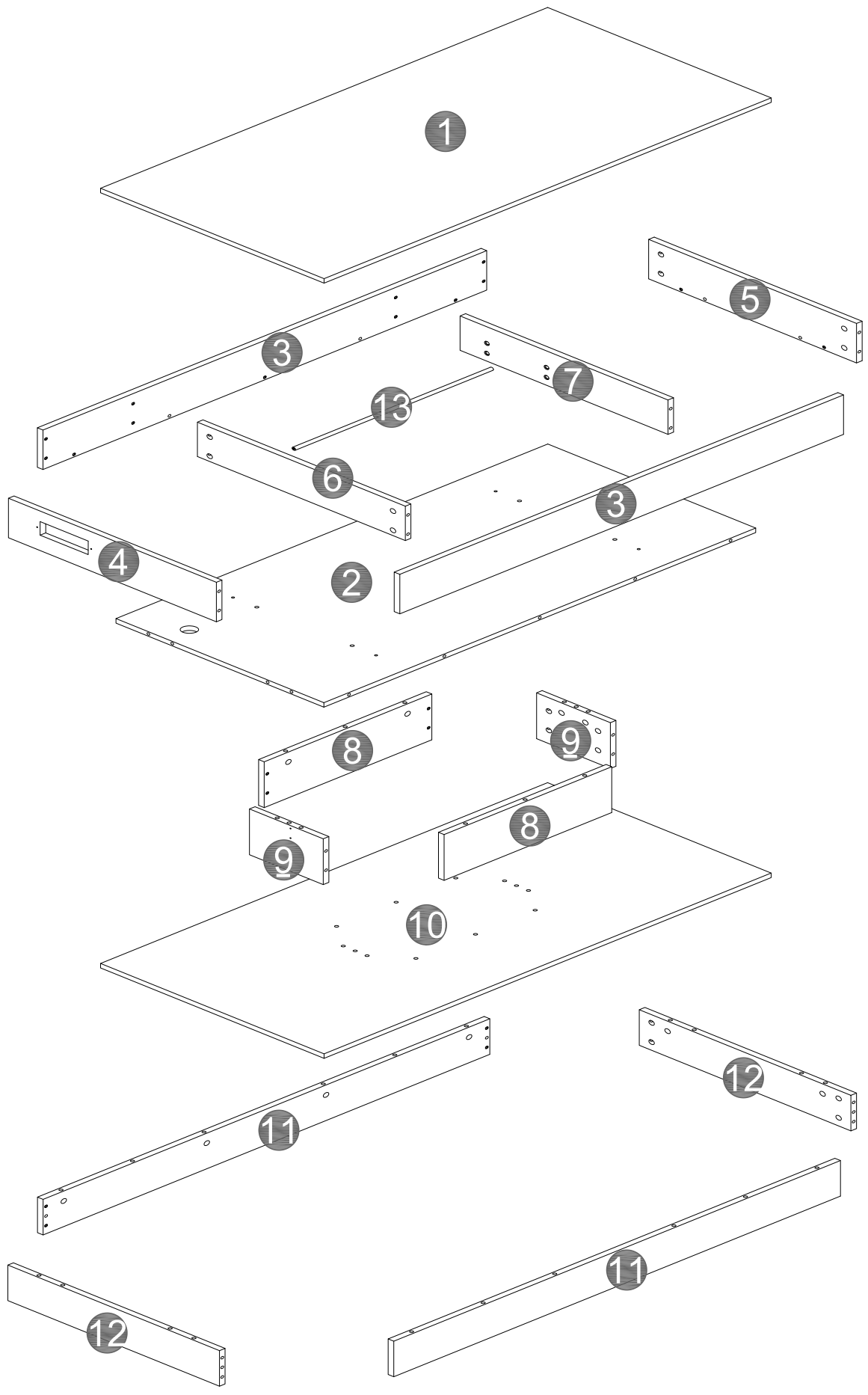
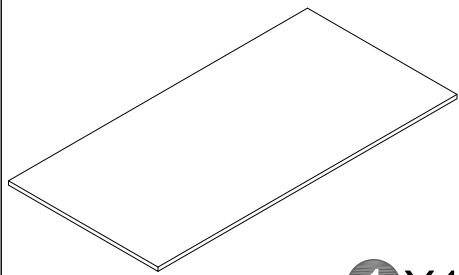


Installation & Assembly

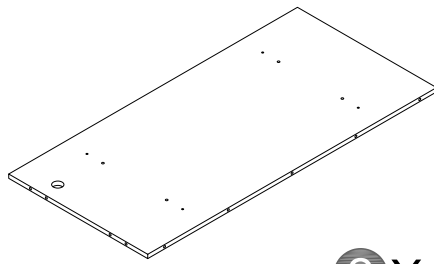




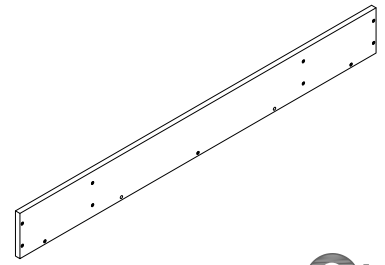
PARTS LIST



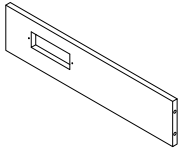
1 X1



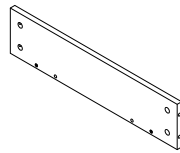
2 X1



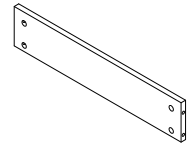
3 X2



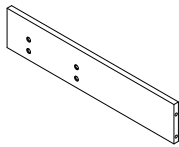
4 X1



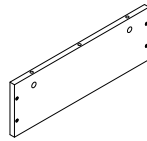
5 X1



6 X1



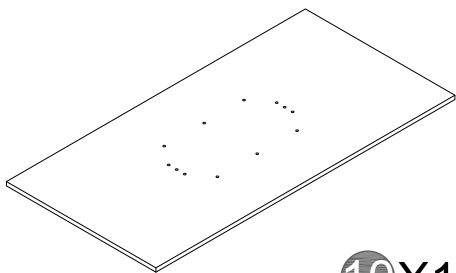
7 X1



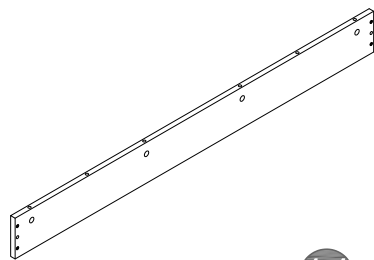
8 X2



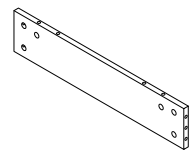
9 X2



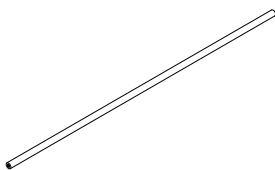
10 X1



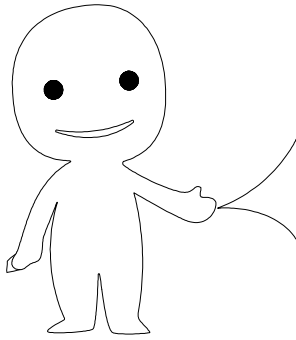
11 X2



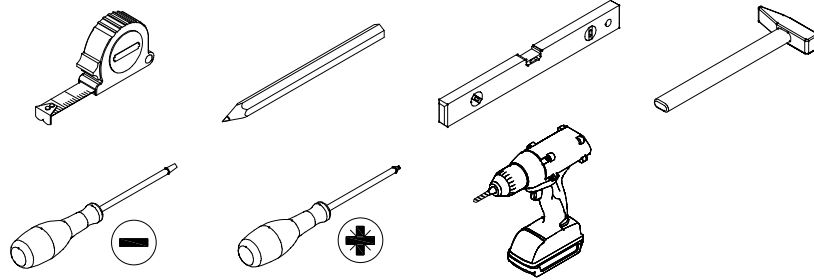
12 X2



13 X1



Please prepare the following tools



A 62+2 PCS

 Ø15 x 11 mm

B 62+2 PCS

 Ø8 x 30 mm

C 62+2 PCS

 Ø7 x 50 mm

D 32+2 PCS

 Ø8 x 30 mm

E 12+2 PCS

 Ø7 x 50 mm

F1,2 16+2 PCS

 M6 x 12

N 2 PCS

 Ø3.5 x 12

O1 4+1 PCS

 Ø3 x 10

R 1 PC

 LED STRIP

V2 6+1 PCS

 LED

X 1 set

 HINGES

Y 2 PCS

 PLATE

LED 1 PC

 LED STRIP

BOX 1 PC

 BOX

Z 1 PC

 4mm

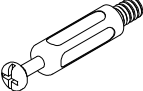
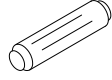


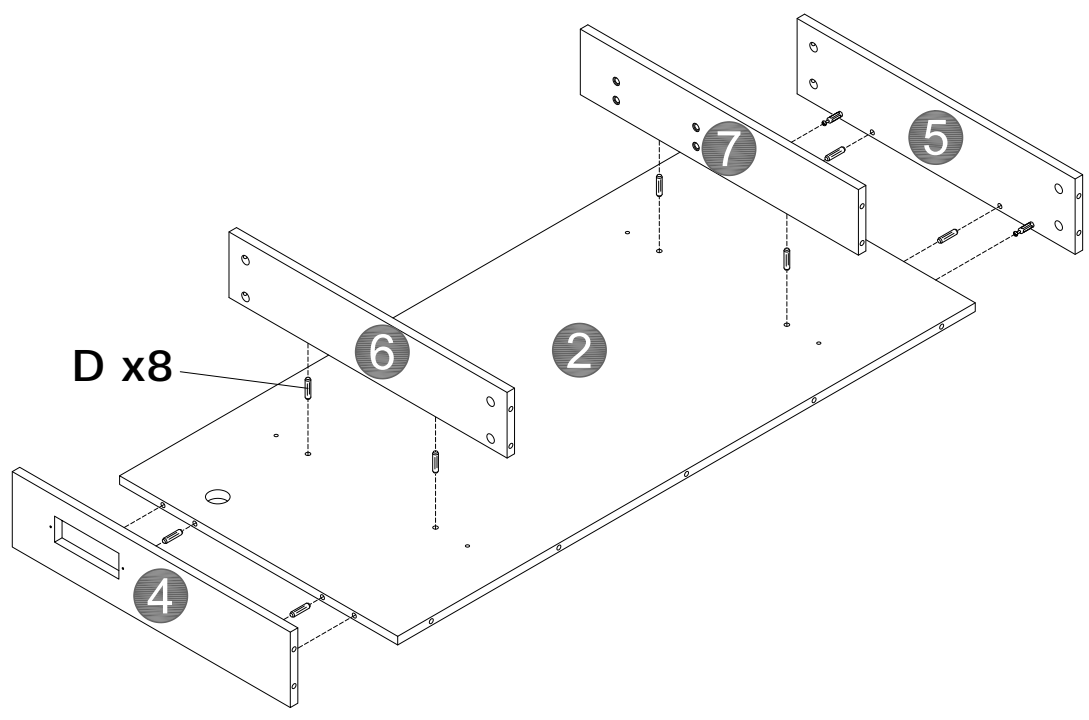
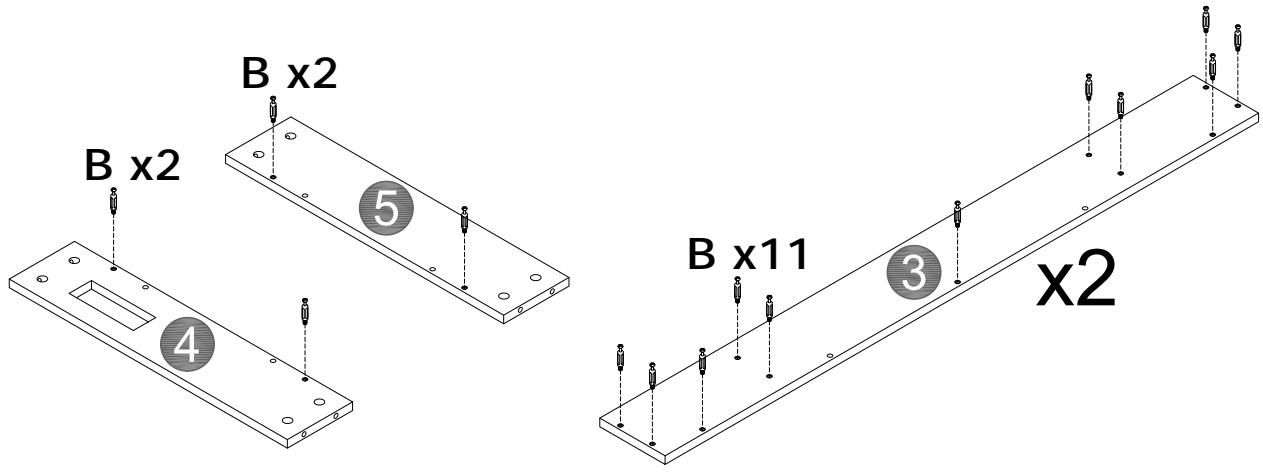
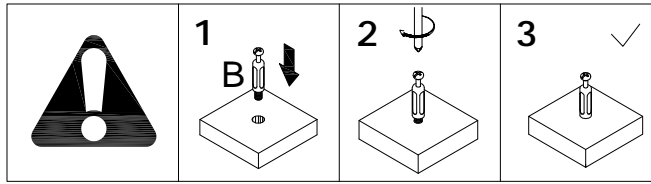
Tips: The number after "+" represents the spare hardware.

Cam Lock/Dowel Placement Supplement

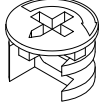
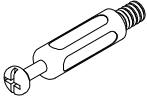
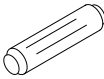
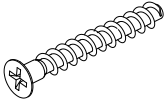
<p>CORRECT 1</p> <p>When inserting the Cam lock, make sure that the open End of the cam Lock faces the Cam Screw Entry. The Dowel will be inserted in the hole NEXT to the Cam Lock/Cam Screw hole.</p>	<p>INCORRECT 2</p> <p>The Cam Lock is backwards in this illustration. The Cam Screw can not connect to the Cam Lock because the Dowel is in the incorrect hole.</p>	<p>3</p> <p>To tighten, turn the Cam Lock CLOCKWISE until the arrow or *△* signs point AWAY from the connected Panel.</p> <p>*NOTE: DO NOT USE AN AUTOMATIC SCREWDRIVER TO TIGHTEN CAM LOCKS, DO NOT OVER-TIGHTEN.</p>
--	--	---

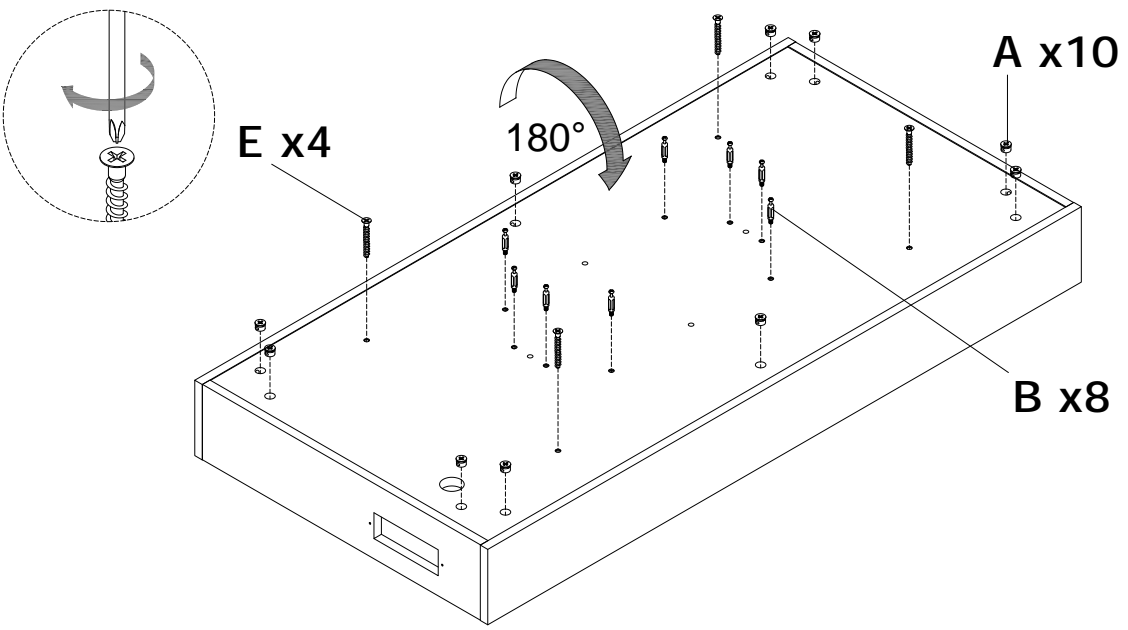
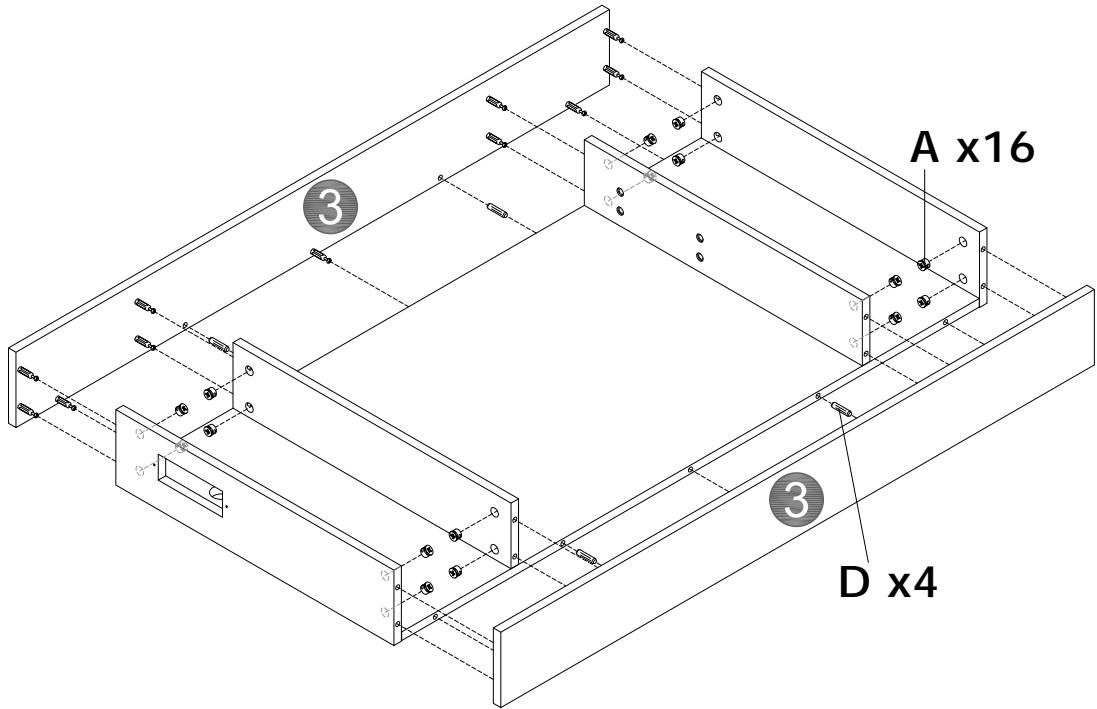
1

B 26PCS	D 8PCS
	

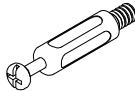
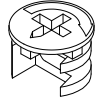
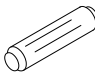
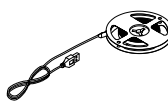
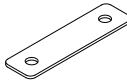



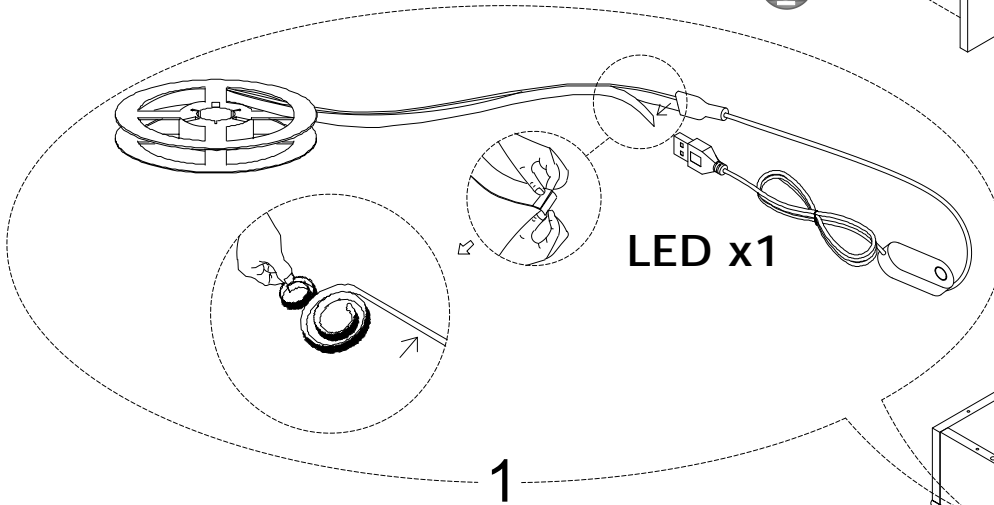
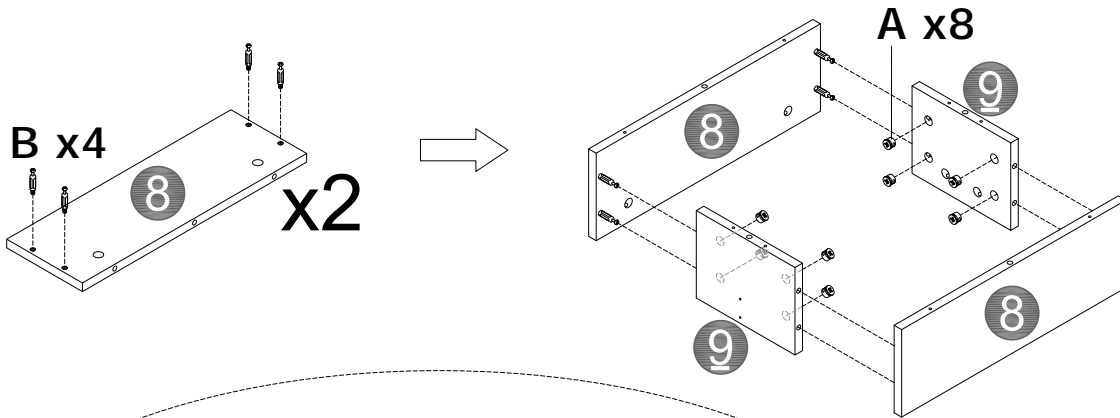
2

A	26 PCS	B	8 PCS	D	4 PCS	E	4 PCS
							

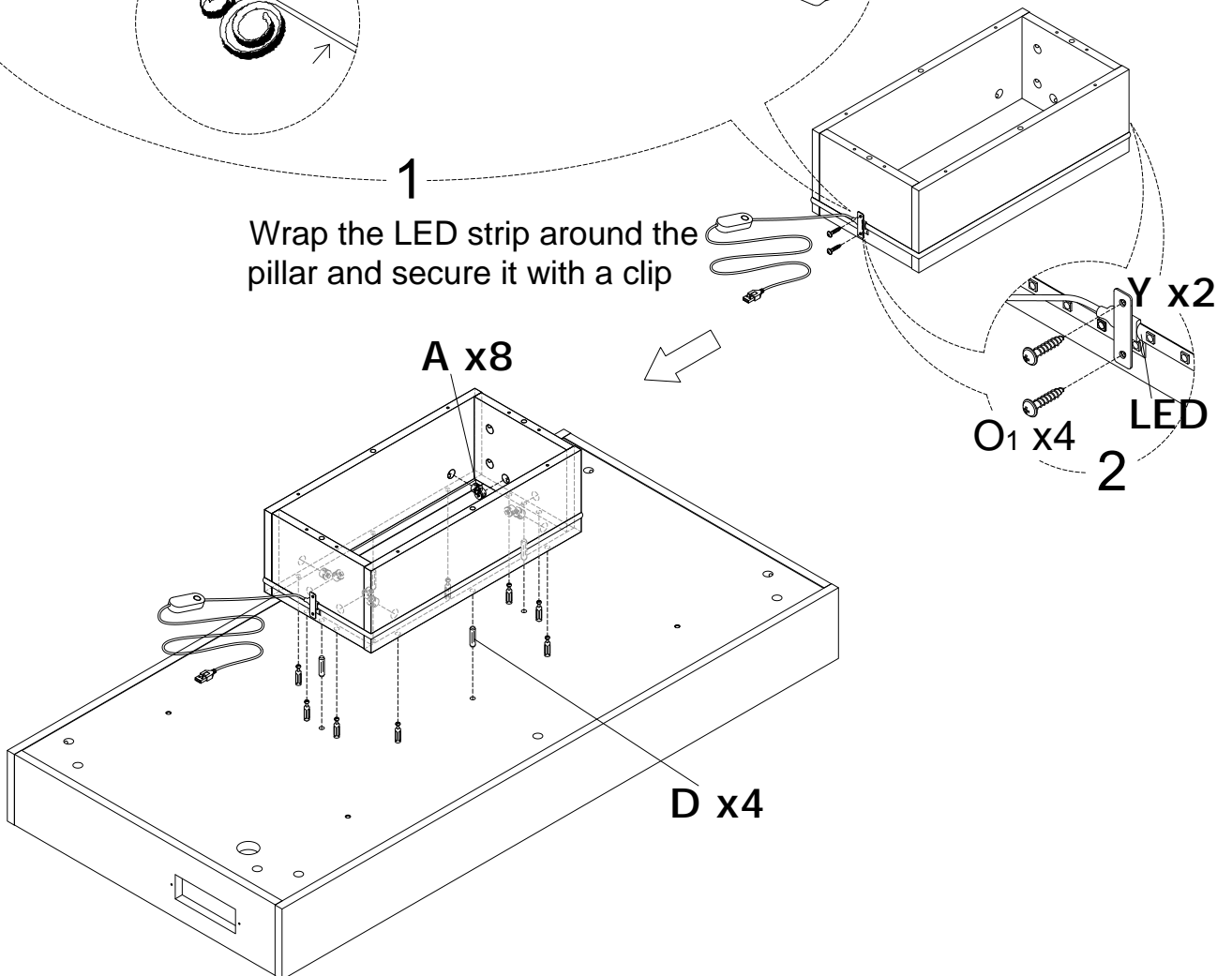


3

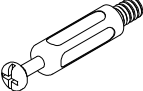
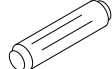
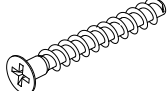
B	8 PCS	A	16 PCS	D	4 PCS	LED	1 PC	Y	2 PCS	O₁	4 PCS
											

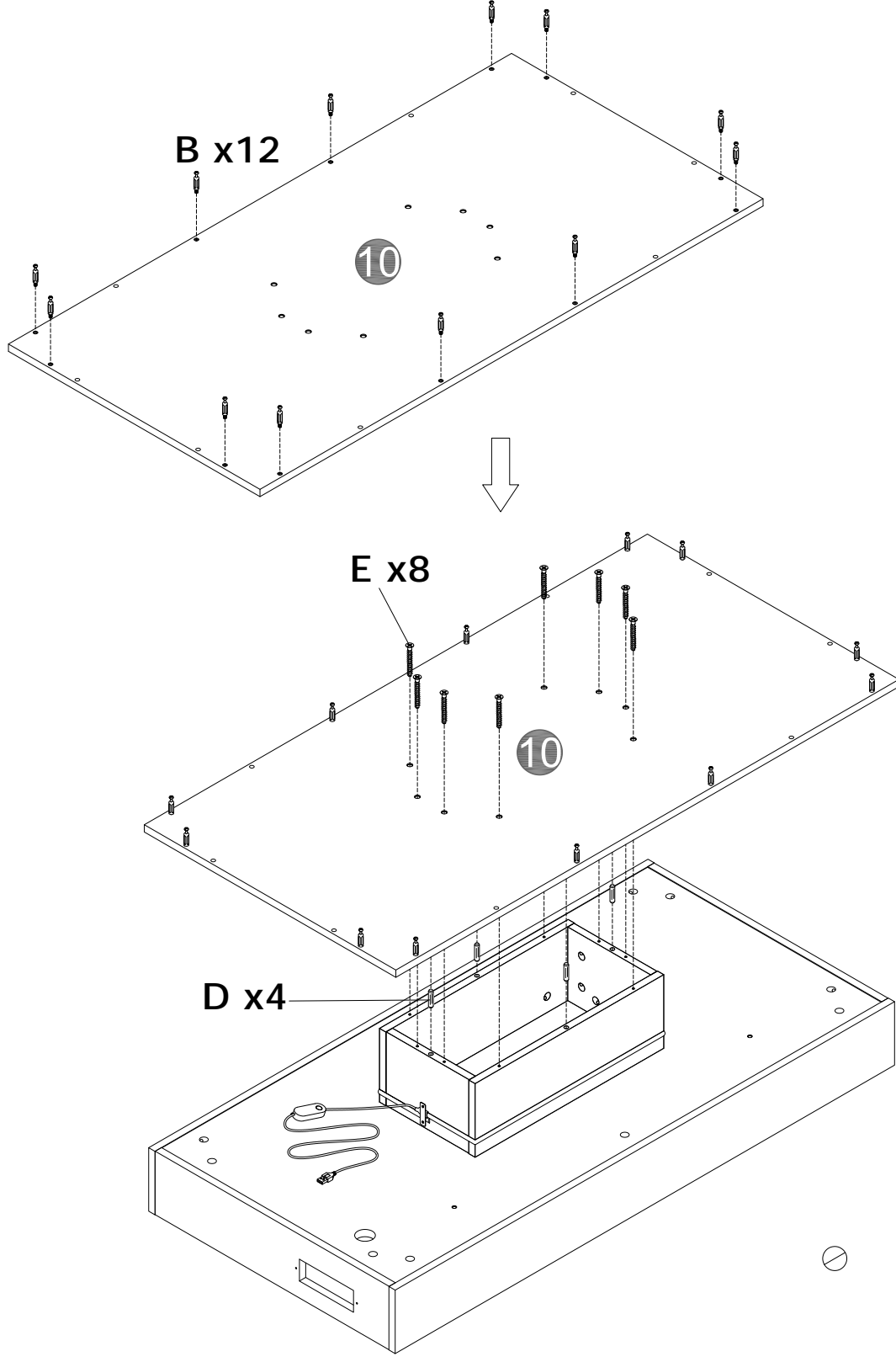


Wrap the LED strip around the pillar and secure it with a clip

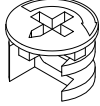
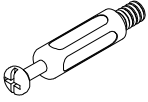
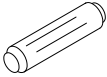


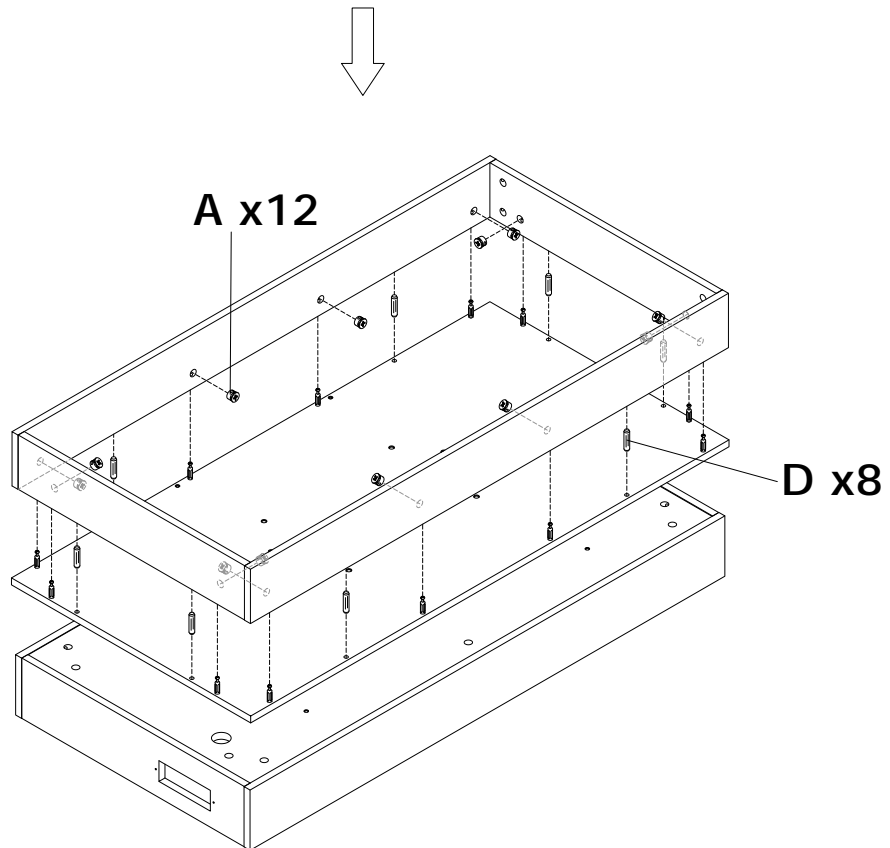
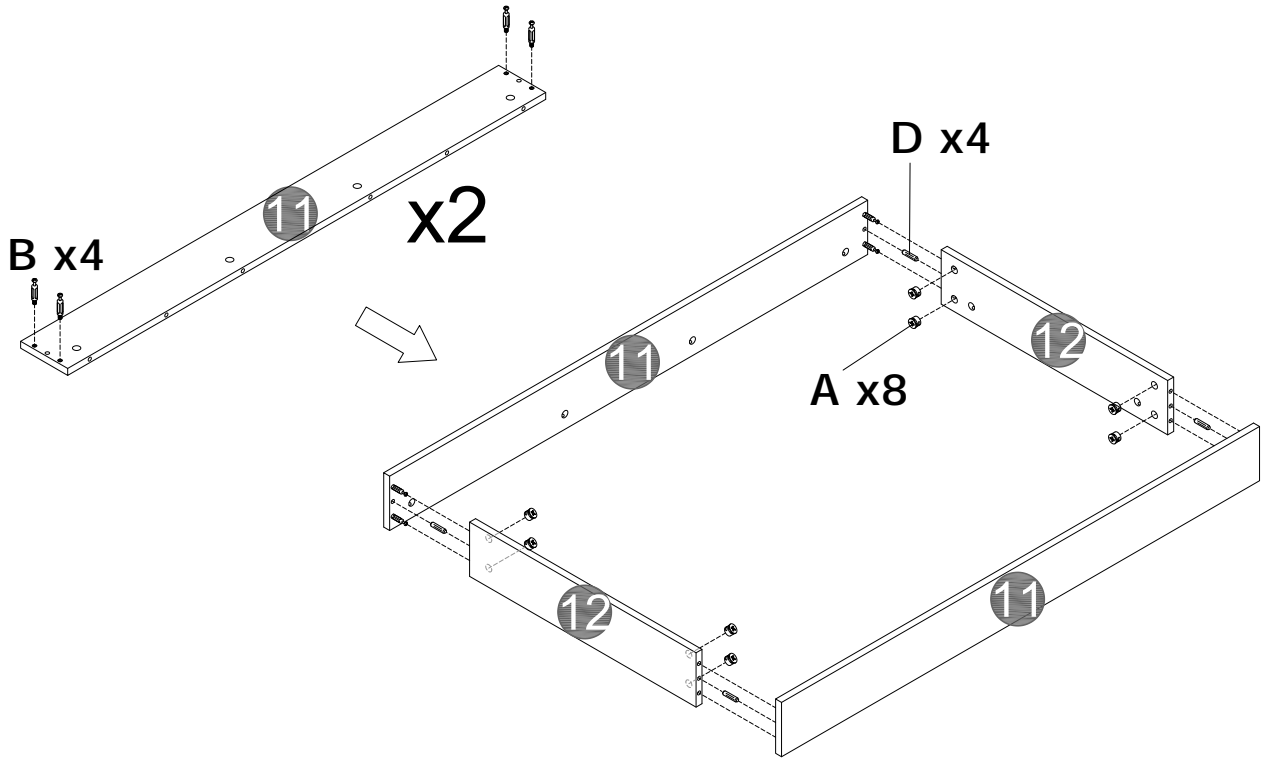
4

B	12 PCS	D	4 PCS	E	8 PCS
					



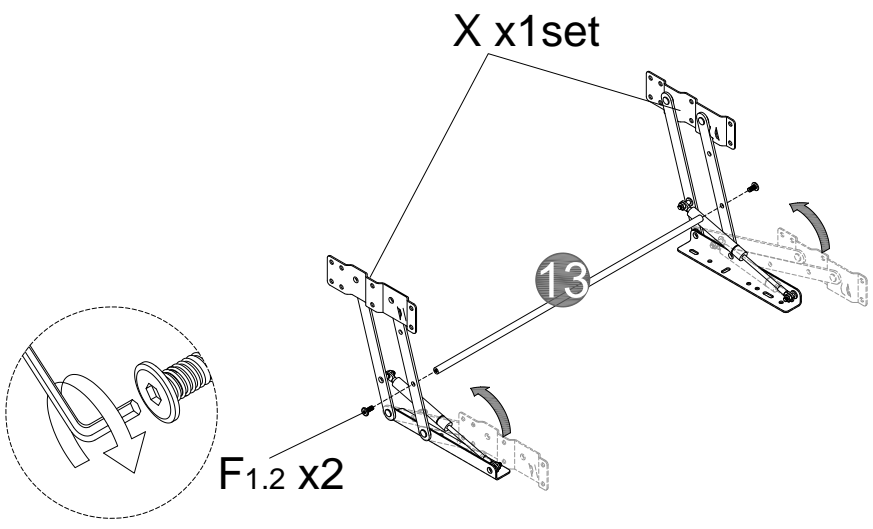
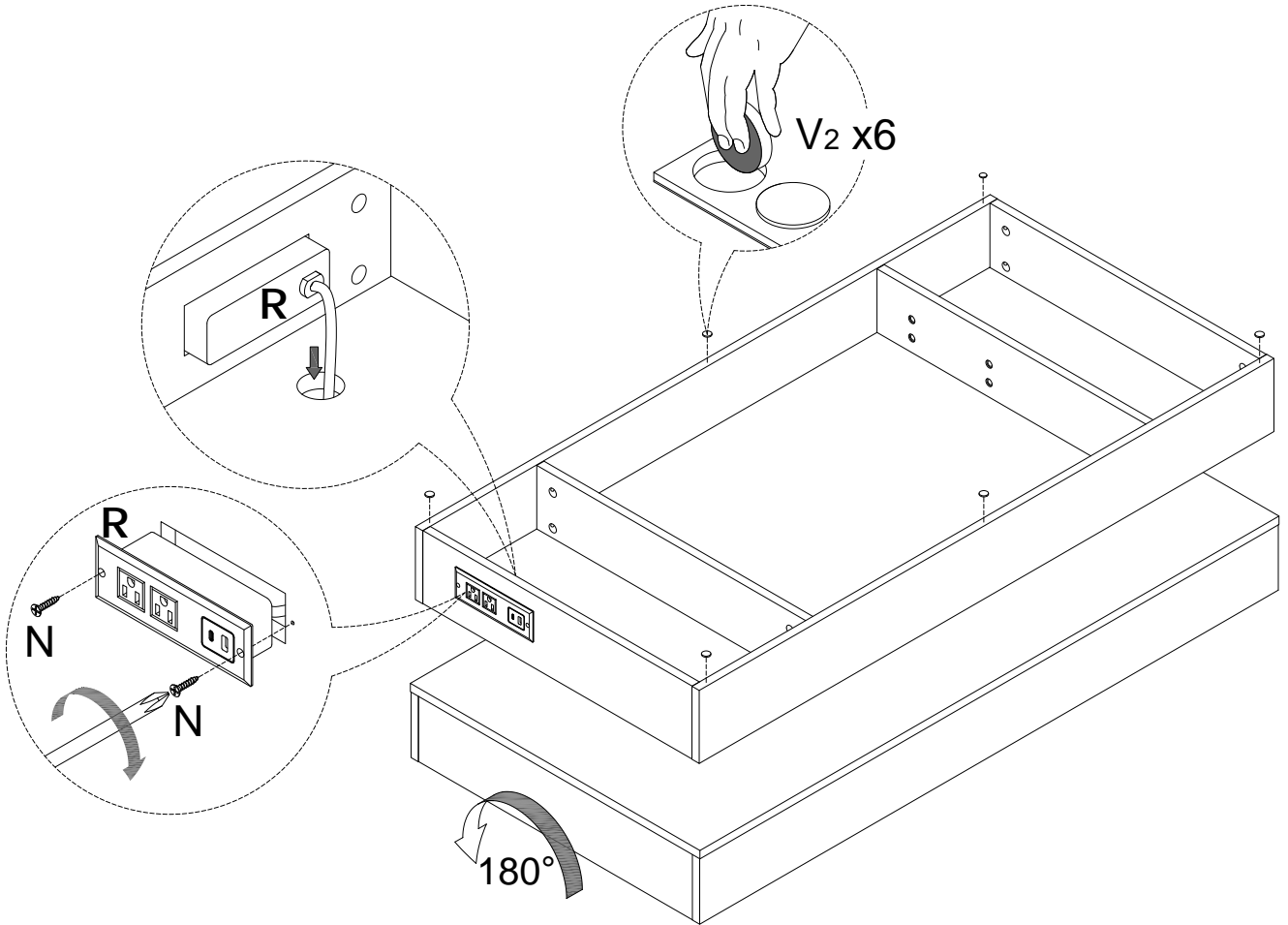
5

A	20PCS	B	8PCS	D	12PCS
					



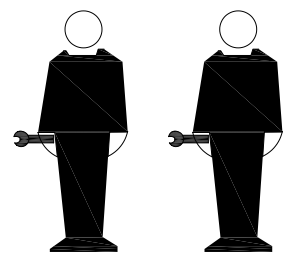
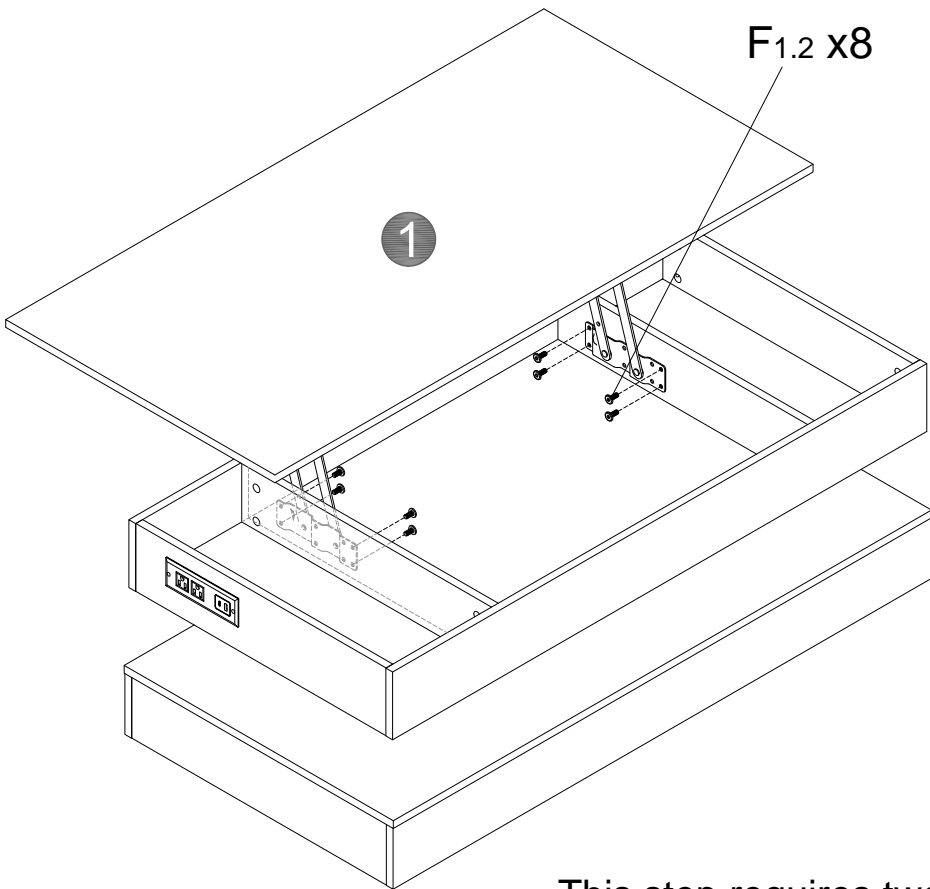
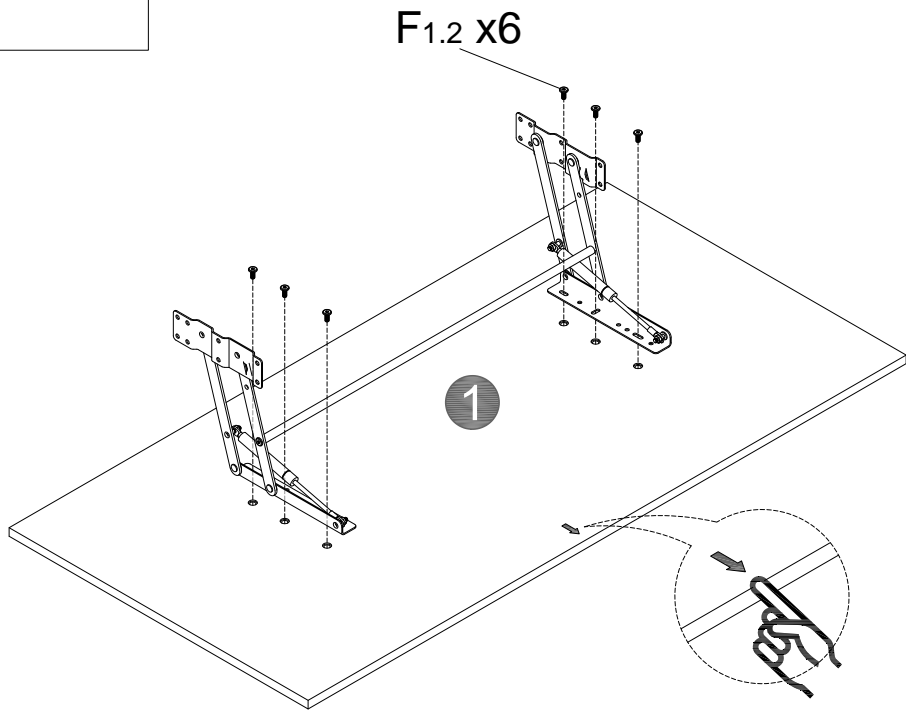



F1.2	2 PCS	N	2 PCS	R	1 PC	V ₂	6 PCS	X	1 set



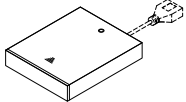

7

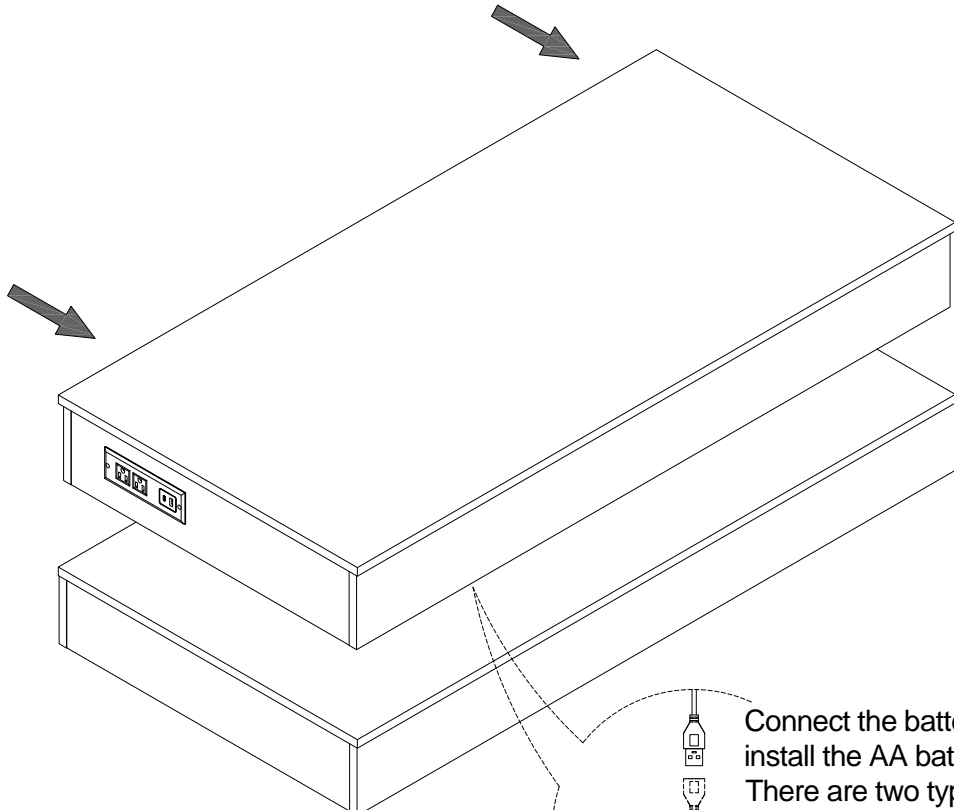
F1.2 14 PCS



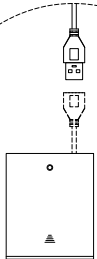
This step requires two people to complete



BOX	1 PC	LED	1 PC
			



Connect the battery box and install the AA battery.
There are two types of battery boxes: wired or wireless.



BOX



1. Take out the remote control gasket
2. Refer to the remote control manual to adjust the LED lamp.