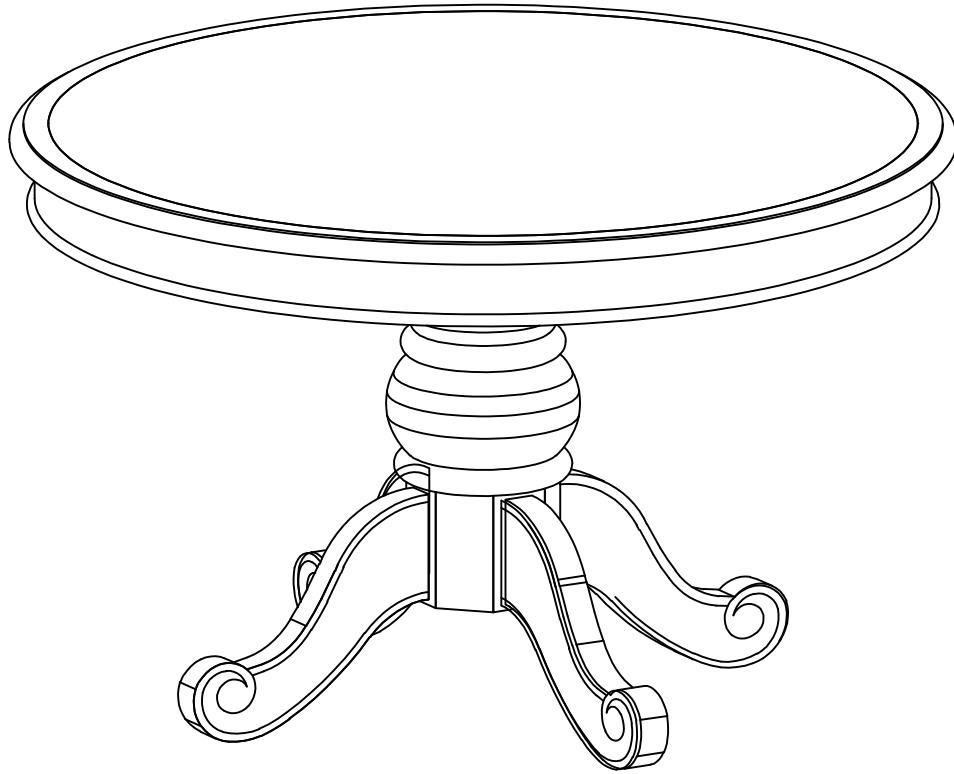
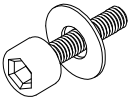

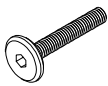

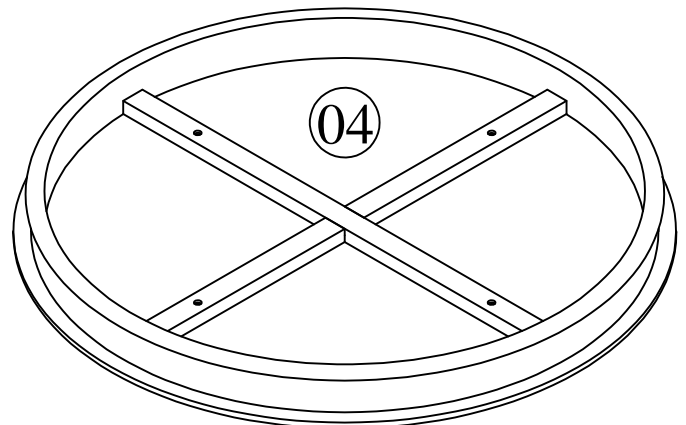
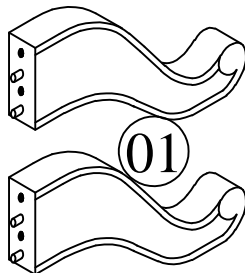
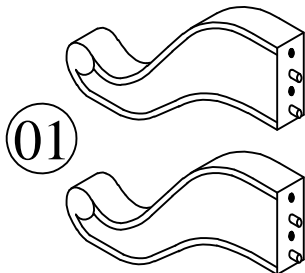
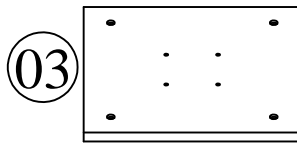
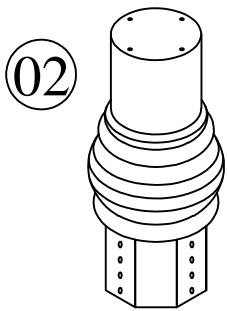



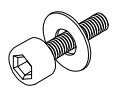
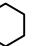
ASSEMBLY INSTRUCTION CAPTIVA TABLE

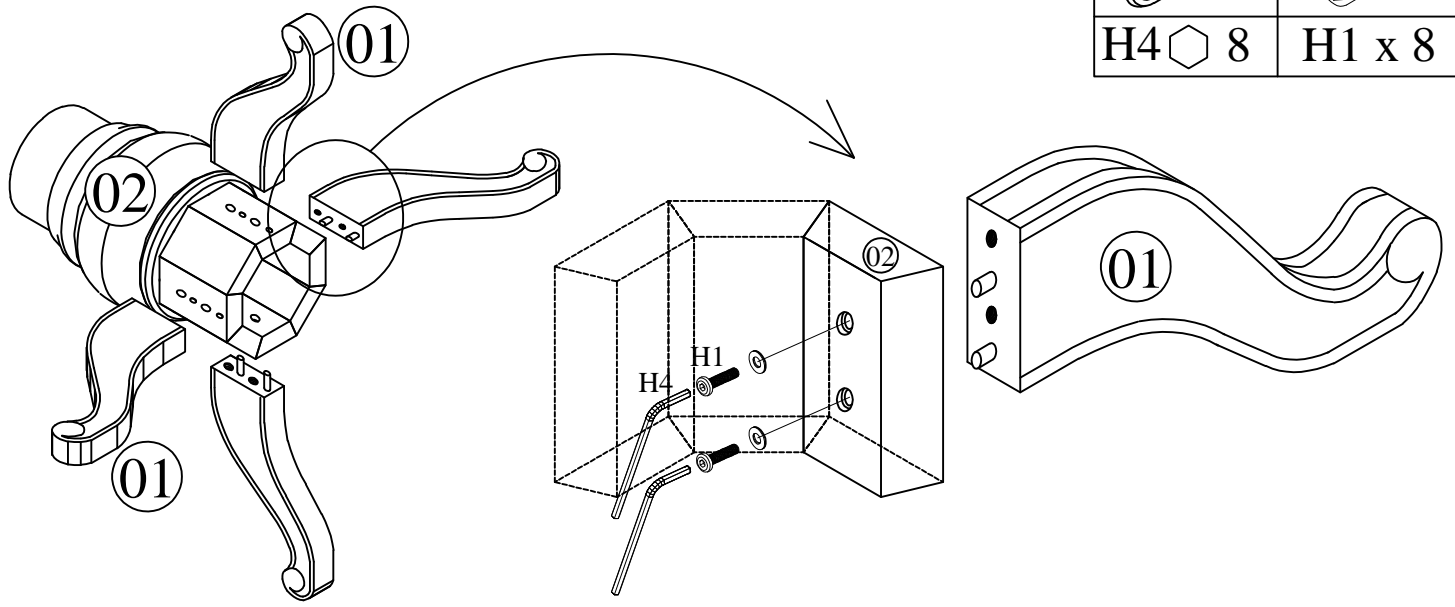


	H1	8 PCS Ø10 x 50		H3	1 PC ◻ 4
	H2	8 PCS Ø6 x 35		H4	1 PC ◻ 8


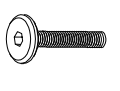
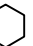


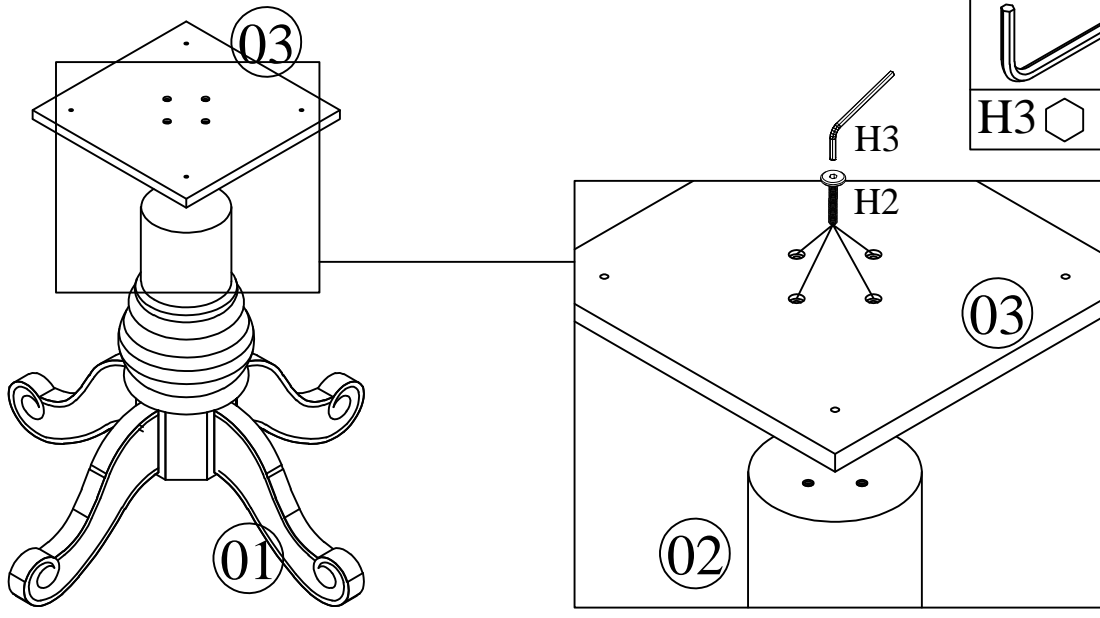
1 →

	
H4  8	H1 x 8


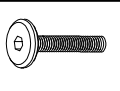
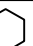


2 →

	
H3  4	H2 x 4



3 →

	
H3  4	H2 x 4

