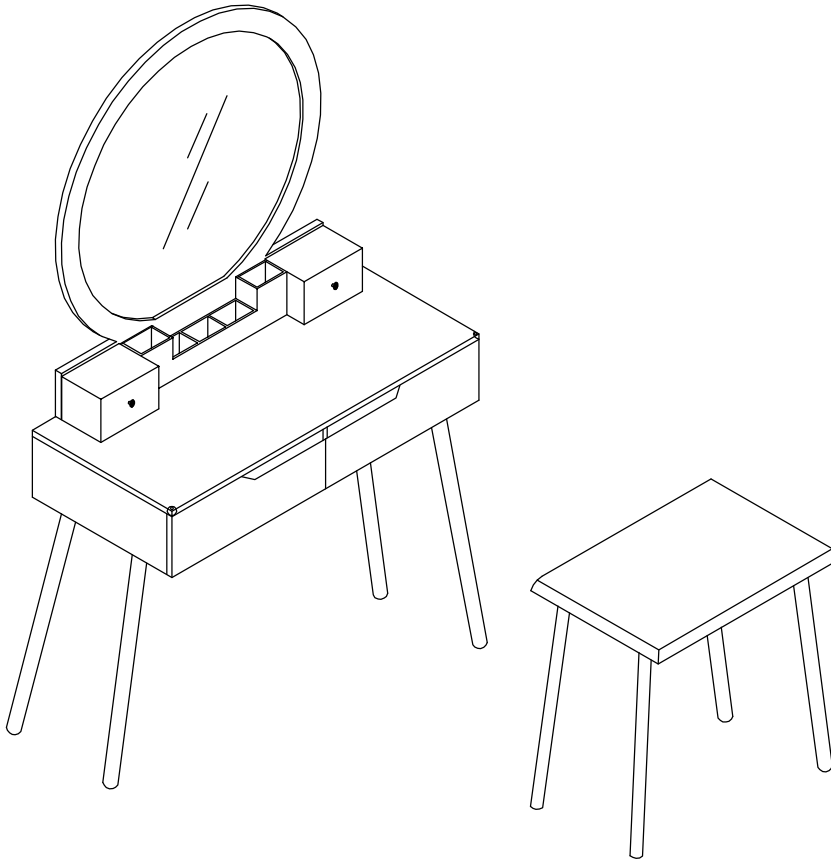


ASSEMBLY INSTRUCTIONS




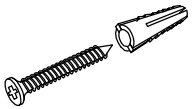






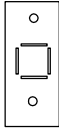



IMPORTANT:PLEASE READ ALL THE INSTRUCTIONS BEFORE STARTING ASSEMBLY.

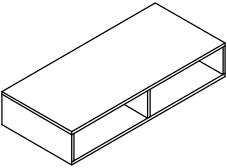
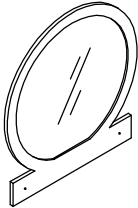
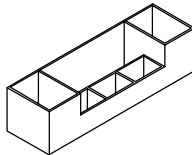
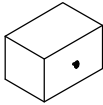
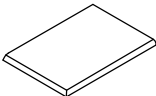


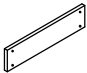
Part List

When unpacking, please be careful not to discard any parts with the packaging. Please separate, identify, and count all parts and metal hardware. Compare with part list to be sure all parts are present. If hardware is missing or you have difficulty in assembling this product, please contact us at your earliest convenience.

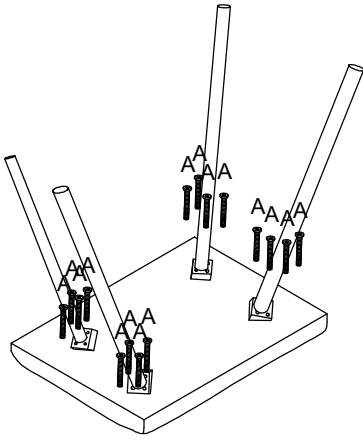
Hardware Identification

A-Long Bolt ,16pcs	B-Medium Bolt ,2pcs	C-Short Bolt,4pcs	D-Expansion Screw,2pcs
			
E-Short Screw,2pcs	F-Small Flat Washer,4pcs	G-Large Flat Washer,2pcs	H-Cable Tie,1pc
			
I-Foot Mat,8pcs	J-Corner Guard,2pcs	K-Anti-tip Anchor,2pcs	L-Allen Key
			

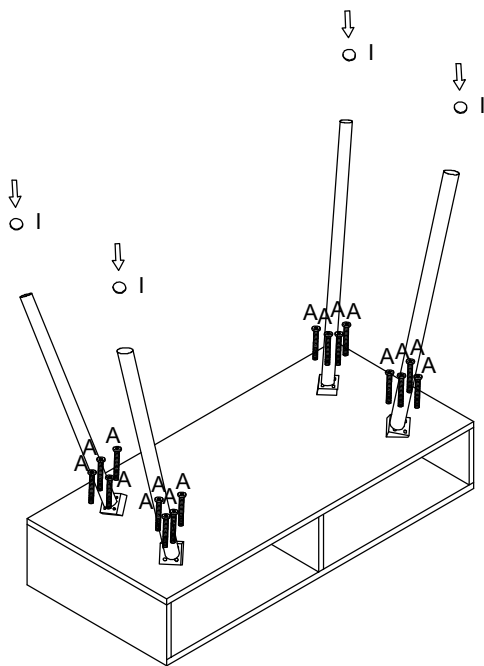
Part Identification

①-Table Top,1pc	②-Mirror,1pc	③-Makeup Organizer,1pc	④-Drawer,2pcs
			
⑤-Cushion Seat,1pc	⑥-Table Leg,4pcs	⑦-Stool Leg,4pcs	⑧-Back Plate,1pc
			

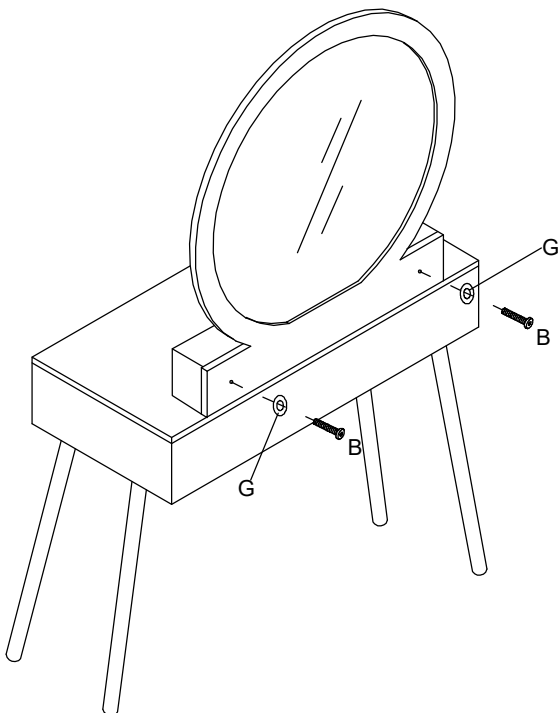
Installation Steps



Step 1: Attach the stool legs to the cushion with bolt A.

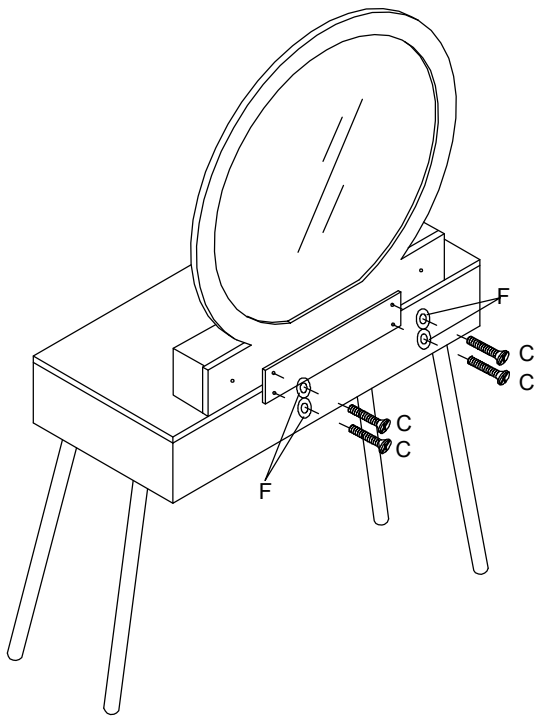


Step 2: Place the tabletop on a clean and smooth surface to avoid from being scratched. Attach the table legs to the table with bolt A.



Step 3: Attach the mirror to the tabletop drawer with bolt B and washer G.

Step 4: Attach the back plate to mirror part and table with bolt C and washer F.



Step 5: Attach the anti tip anchors K to the vanity with short screw E, use the expansion screw D to secure K to the wall, and then attach cable tie H.

