

T-COCO TABLE

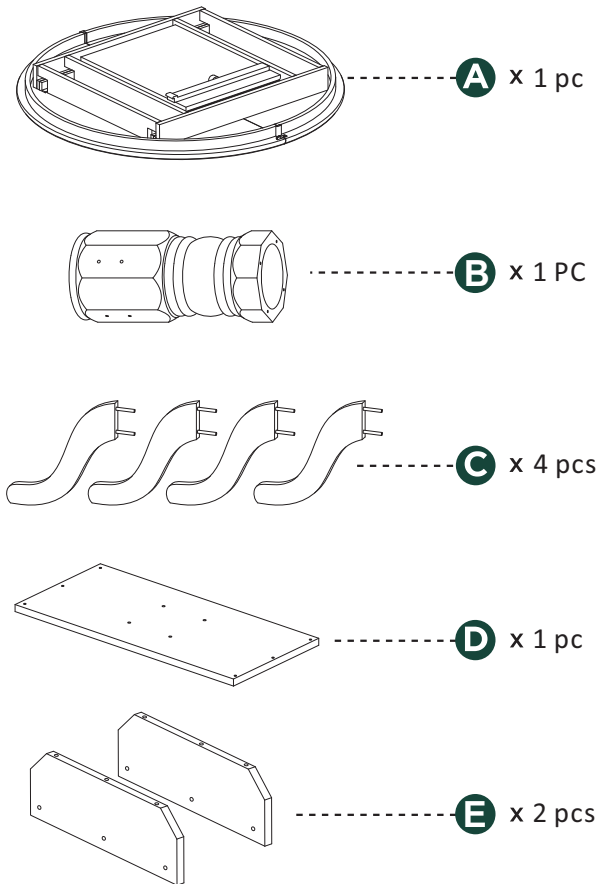
E1670084, E1670091
E1670105, E1670112

E1670126, E1670133
E1670147, E1670154

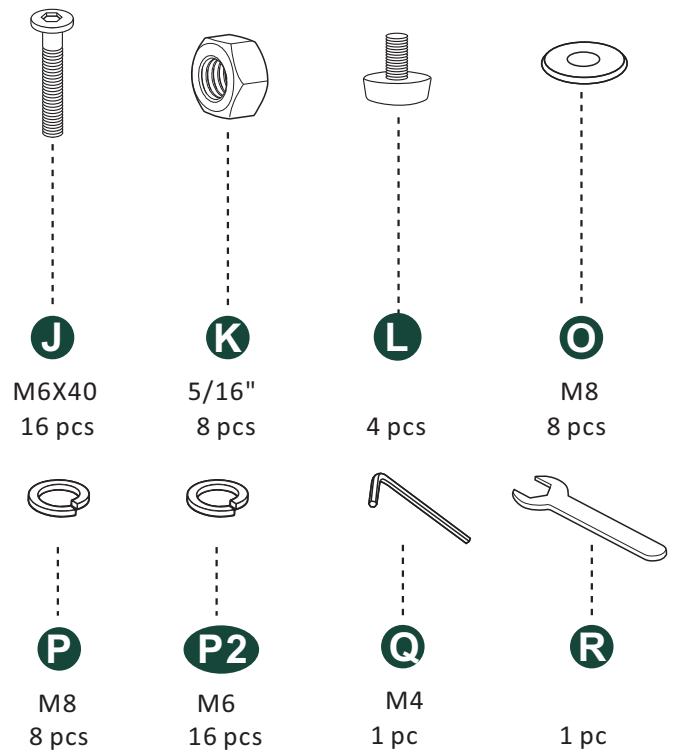


Revision Number: 02

Components



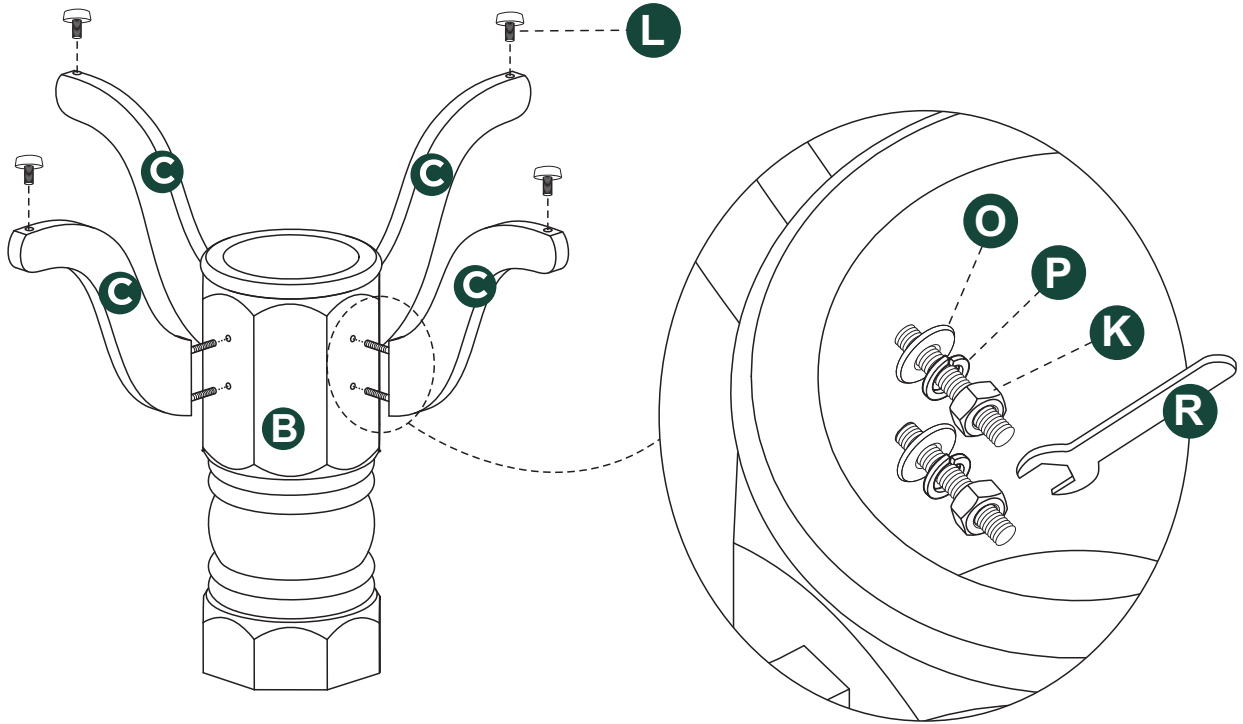
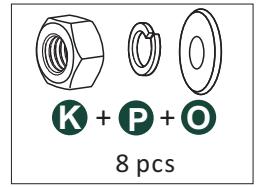
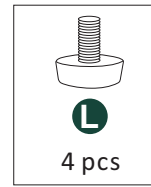
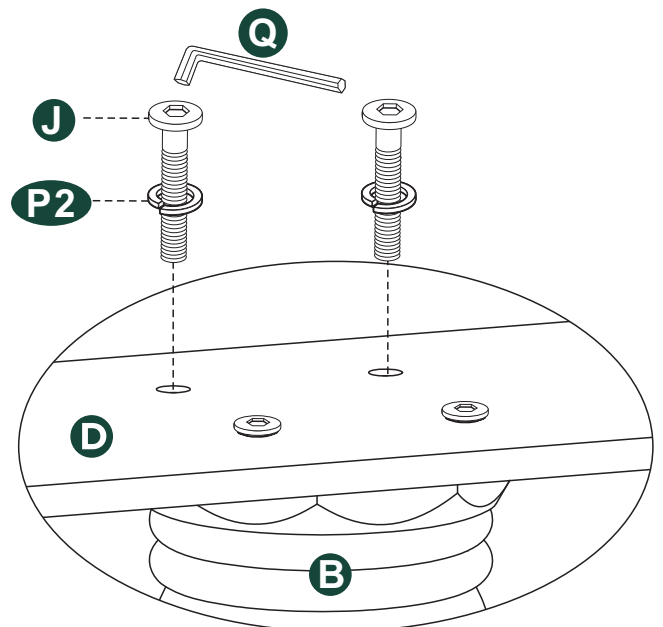
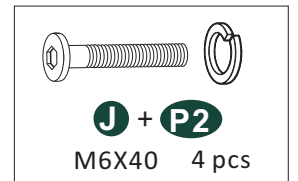
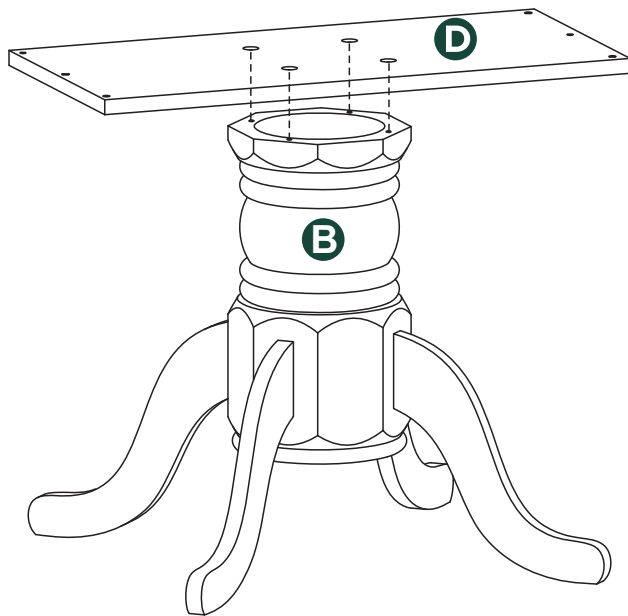
Hardware



CAUTION: When placing furniture on non-carpeted flooring, we recommend the use of floor protection such as an area rug or furniture pads. Area rugs and padding not included with purchase.

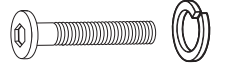
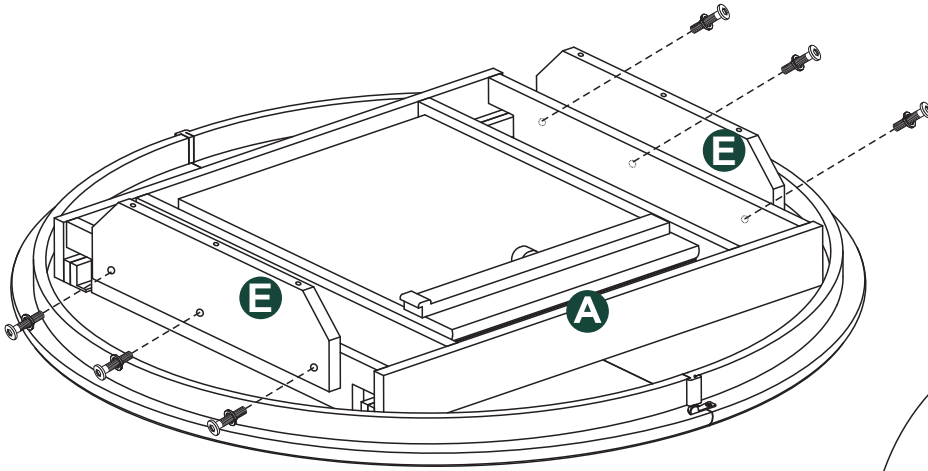
1

Connect the legs "C" to pedestal "B" through the holes. Attach "P" and "O" washers and "K" nuts to the bolts in the legs "C" from inside of pedestal to attach. Attach adjustable levelers "L" to bottom of legs "C".

**2**

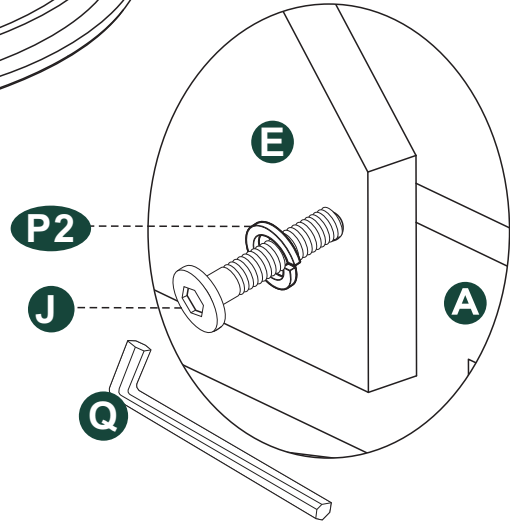
Connect support "D" to pedestal "B". Attach washers "P2" to bolts "J". Use the bolts "J" to attach.

3

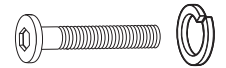
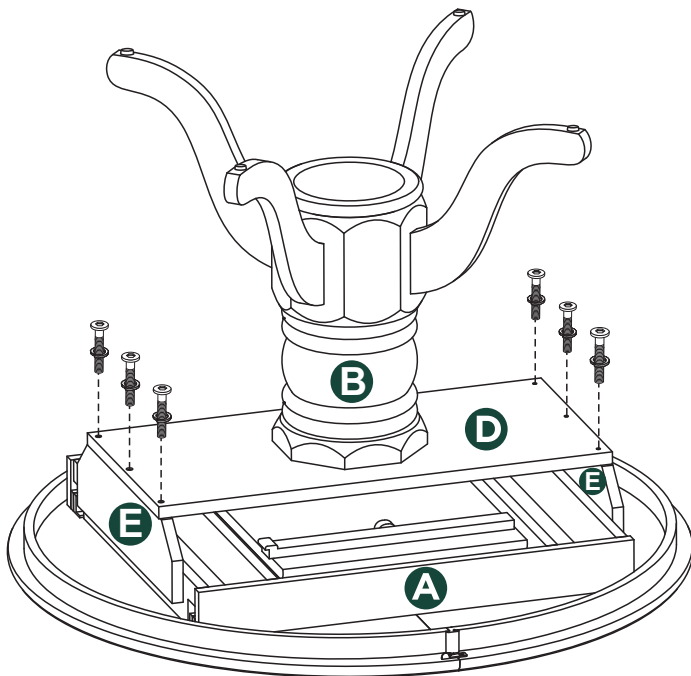


J + P2
M6X40 6 pcs

Connect side panels “E” to rails of top component “A”. Attach washers “P2” to bolts “J”. Use the bolts “J” to attach.

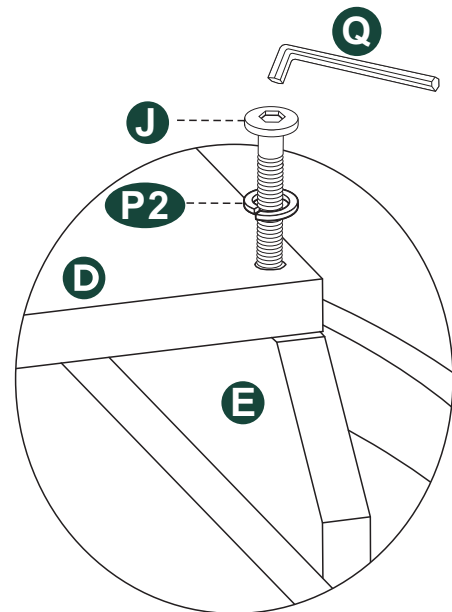


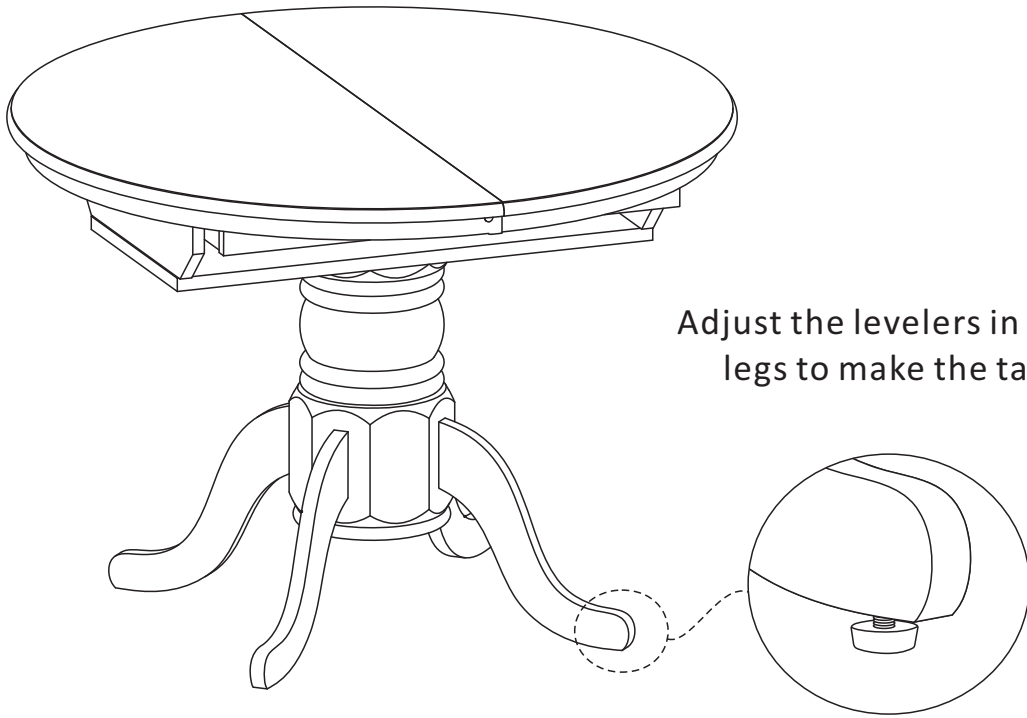
4



J + P2
M6X40 6 pcs

Place base to top. Connect support “D” to side panels “E”. Attach washers “P2” to bolts “J”. Use the bolts “J” to attach.





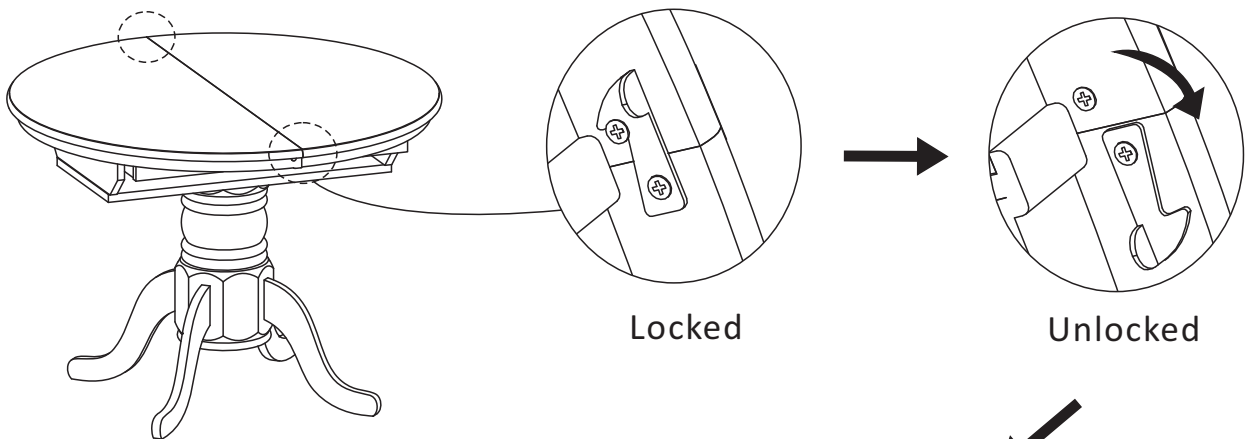
Adjust the levelers in the bottom of legs to make the table steady.

You're all finished!

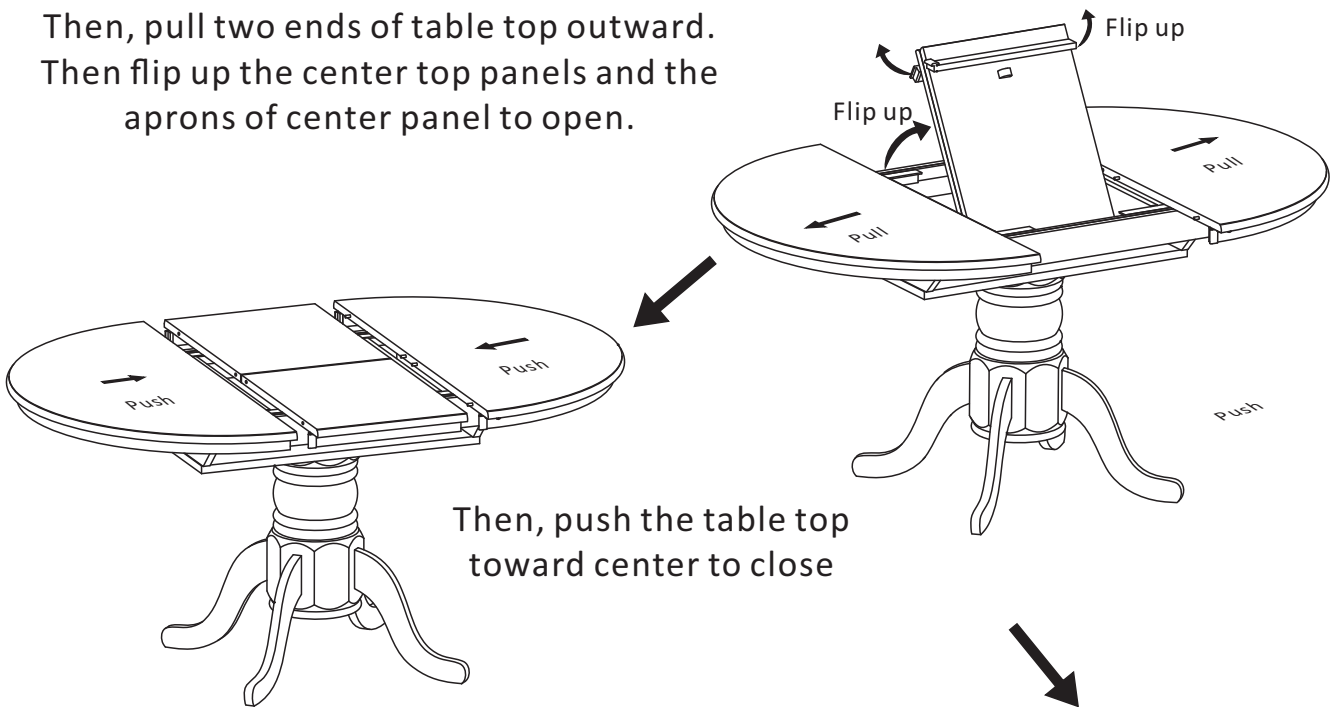
See next page to open table

Open Table Instruction

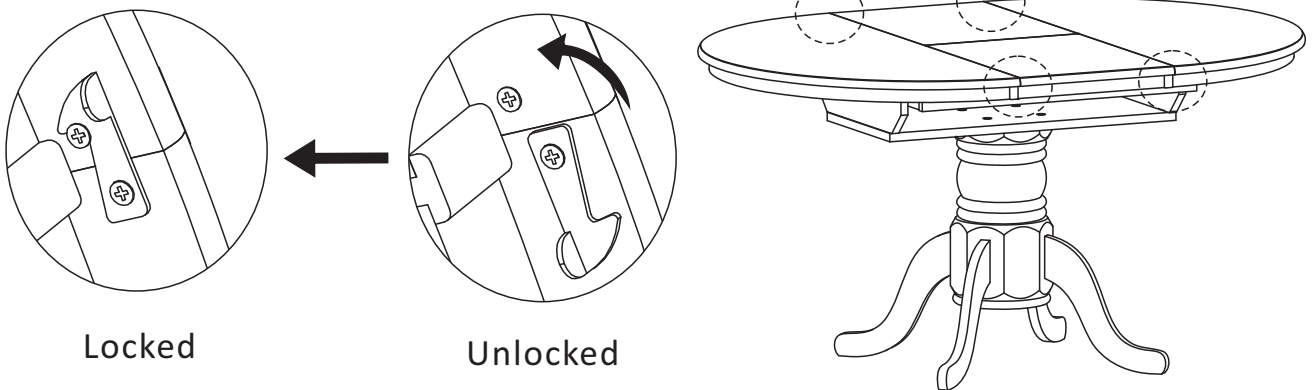
First, Unlock the metal clip under top panel from locked as show in below.



Then, pull two ends of table top outward. Then flip up the center top panels and the aprons of center panel to open.



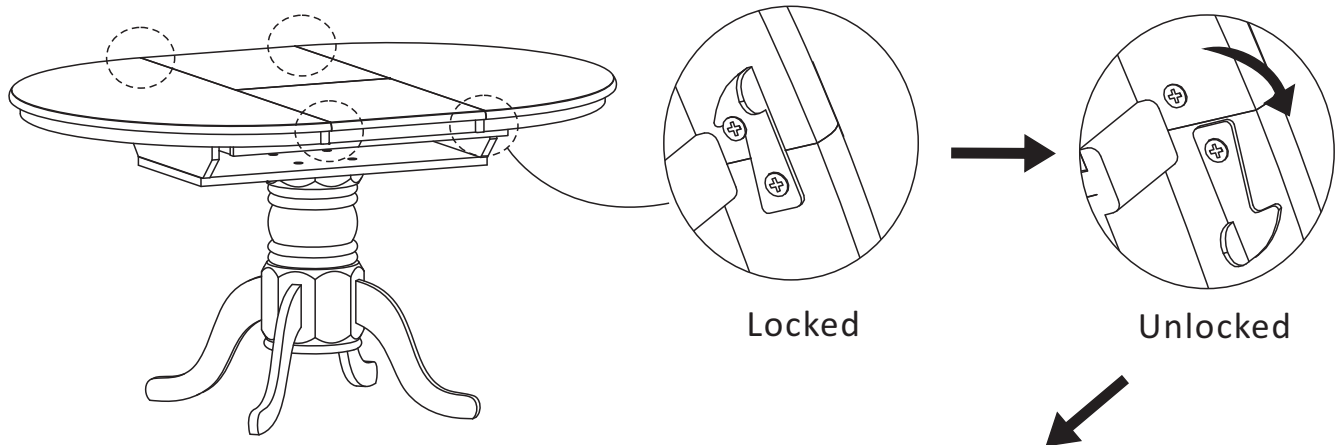
Then, push the table top toward center to close



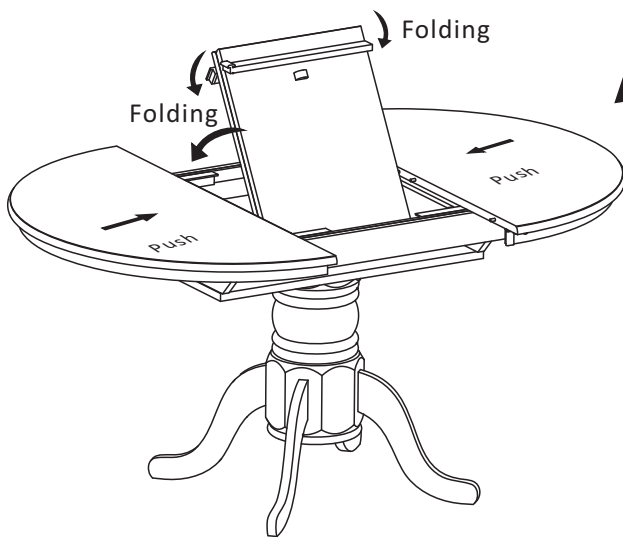
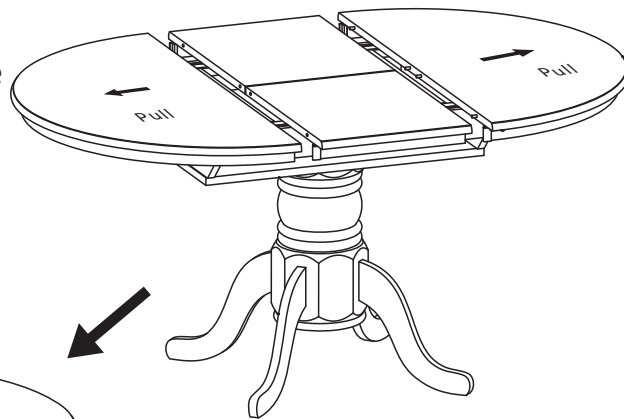
Finally, Lock the metal clip under top panel from unlocked as show in above.

Close Table Instruction

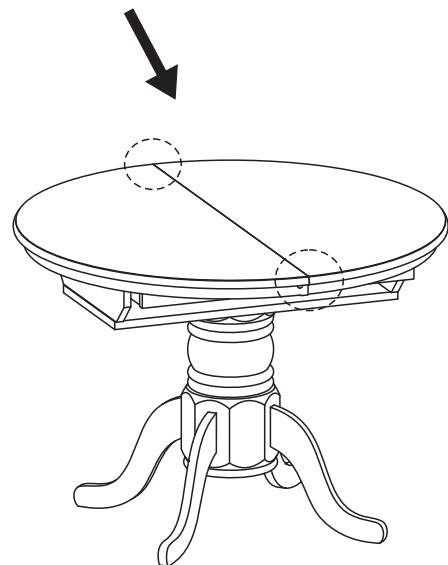
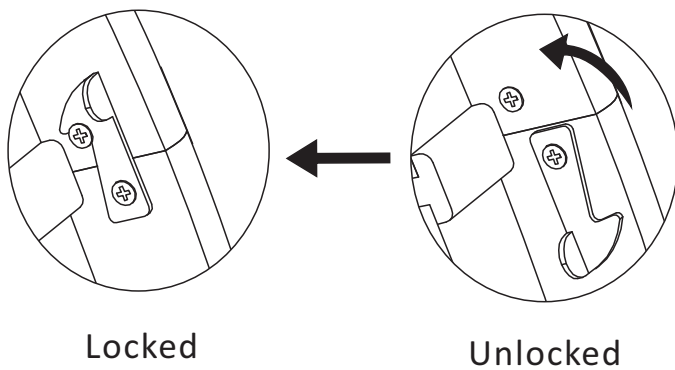
First, Unlock the metal clip under top panel from locked as show in below.



Then, pull two ends of table top outward to open



Then, folding the center top panels and the aprons of center panels to store underneath top panel. Then, push two ends of table top toward center to close.



Finally, Lock the metal clip under top panel from unlocked as show in above.