

# ASSEMBLY INSTRUCTION

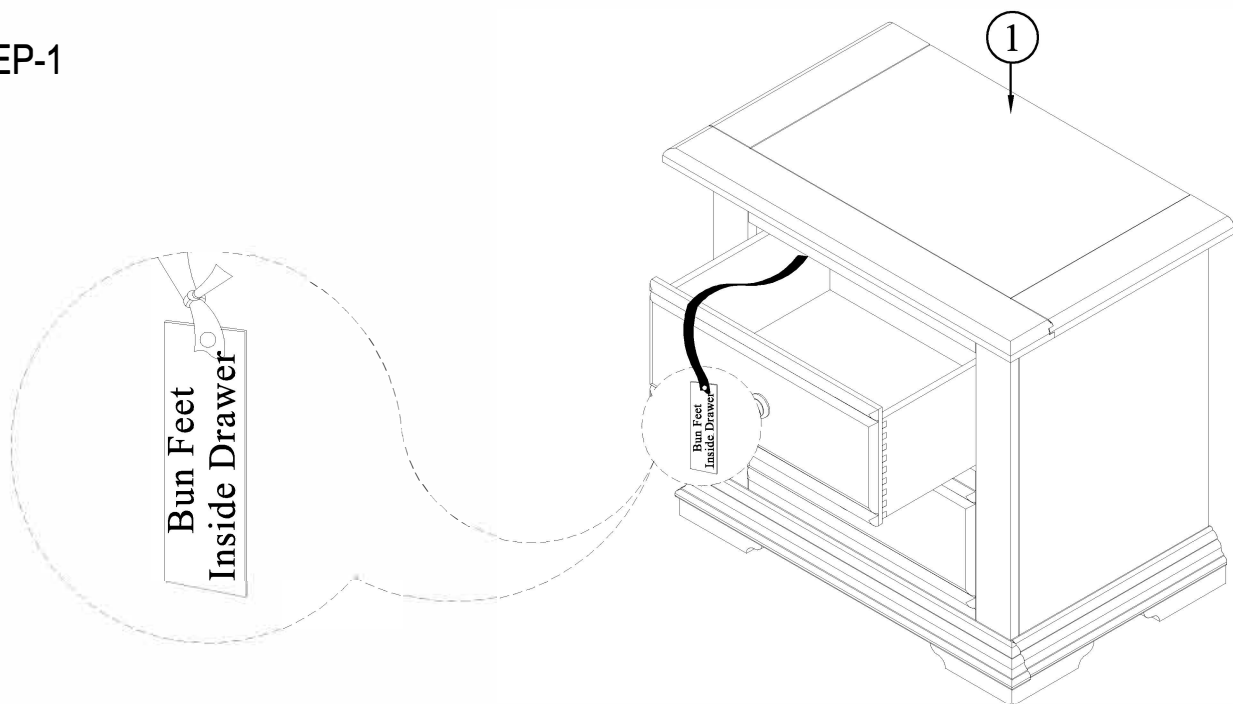
## TWO DRAWER NIGHTSTAND

BEFORE YOU START ASSEMBLING,  
PLEASE MAKE SURE ALL PARTS & HARDWARE ARE INCLUDE IN BOX :

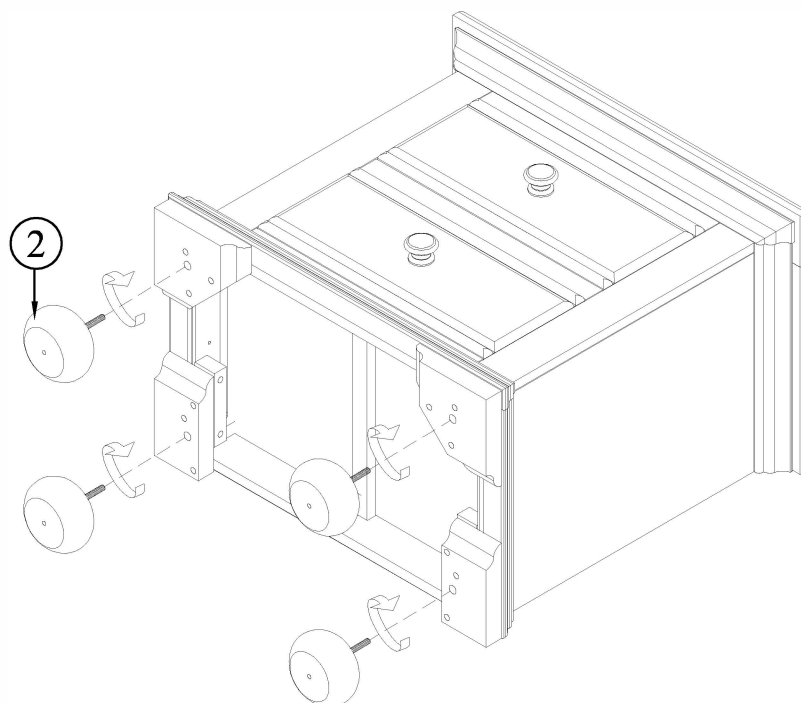
**THE PRODUCT IS INTENDED FOR USE BY YOUTH 6 YEARS OLD & OLDER**

| NO | PARTS                 | QTY   |
|----|-----------------------|-------|
| 1  | TWO DRAWER NIGHTSTAND | 1 PC  |
| 2  | BUNFEET               | 4 PCS |

### STEP-1



### STEP-2



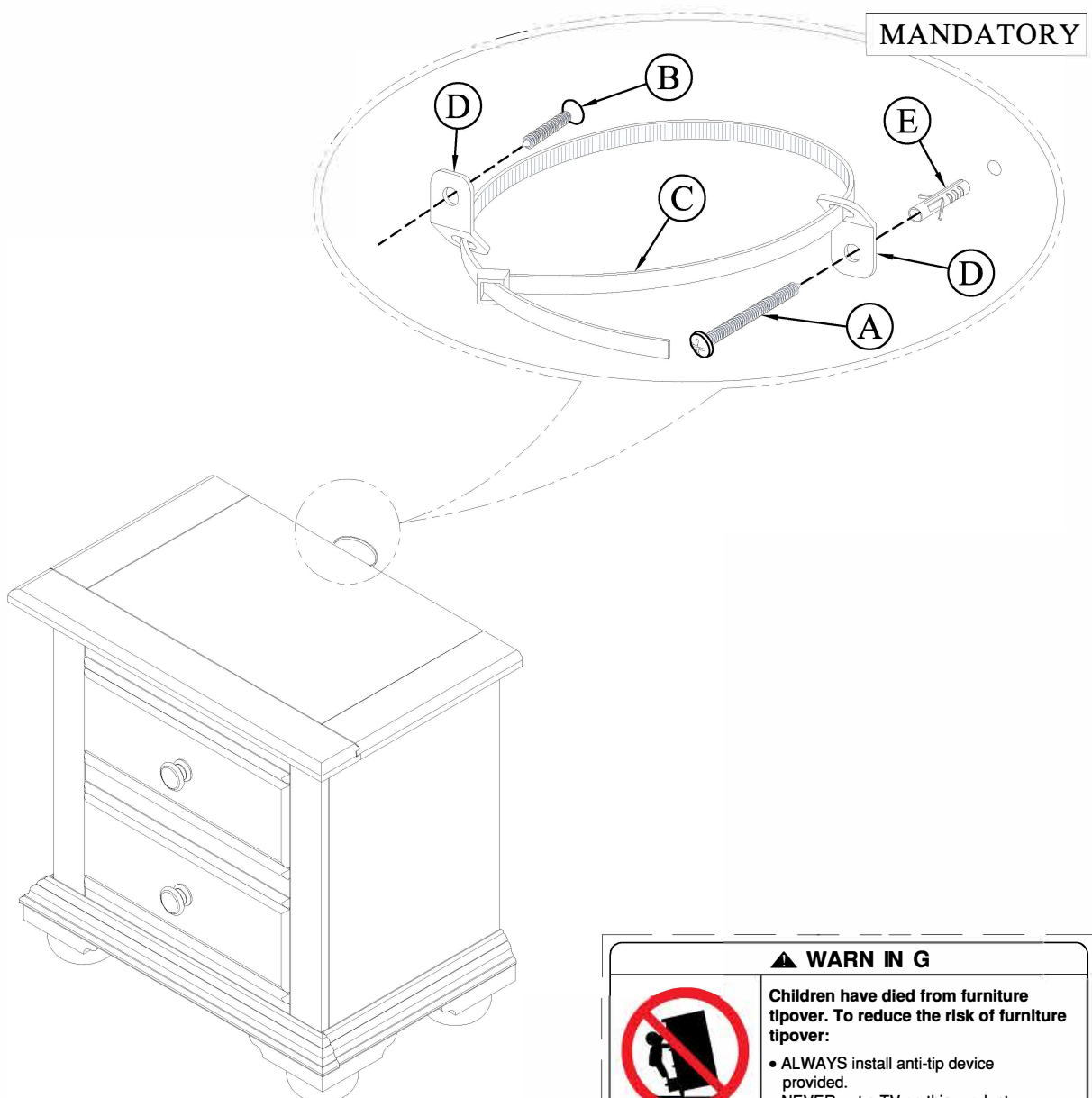
# ASSEMBLY INSTRUCTION

## TWO DRAWER NIGHTSTAND

BEFORE YOU START ASSEMBLING,  
PLEASE MAKE SURE ALL PARTS & HARDWARE ARE INCLUDE IN BOX :

| NO | PARTS                 | QTY  |
|----|-----------------------|------|
| 1  | TWO DRAWER NIGHTSTAND | 1 PC |

| NO | HARDWARE                          | QTY   |
|----|-----------------------------------|-------|
| A  | SCREW $\varnothing 8 \times 2"$   | 1 PC  |
| B  | SCREW $\varnothing 8 \times 5/8"$ | 1 PC  |
| C  | RESTRAINT STRAP                   | 1 PC  |
| D  | BRACKET                           | 2 PCS |
| E  | PLASTIC ANCHOR                    | 1 PC  |



**▲ WARN IN G**

**Children have died from furniture tipover. To reduce the risk of furniture tipover:**

- ALWAYS install anti-tip device provided.
- NEVER put a TV on this product.
- NEVER allow children to stand, climb or hang on any drawers, doors, or shelves.
- NEVER open more than one drawer at a time.
- Place heaviest items in the lowest drawers.

*This is a permanent label.  
Do not remove!*