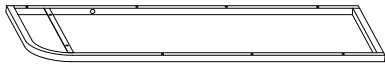
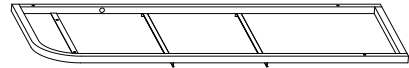




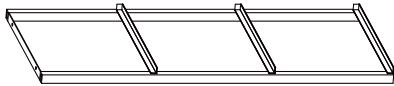
**A** x 1



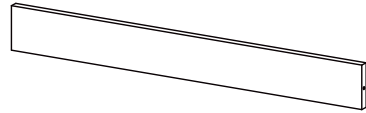
**B** x 1



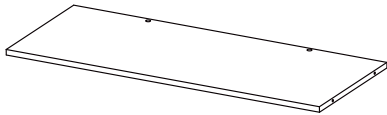
**C** x 1



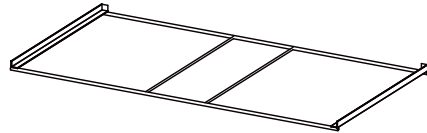
**D** x 1



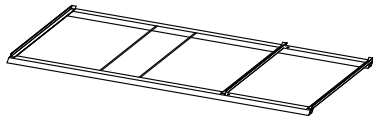
**E** x 1



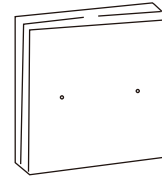
**F** x 2



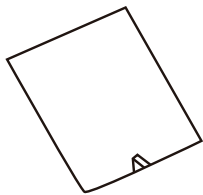
**G** x 1



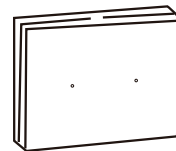
**H** x 3



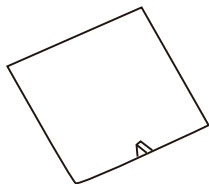
**I** x 3



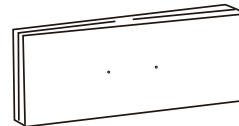
**J** x 2



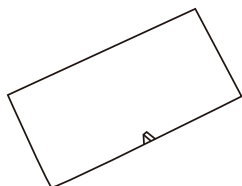
**K** x 2

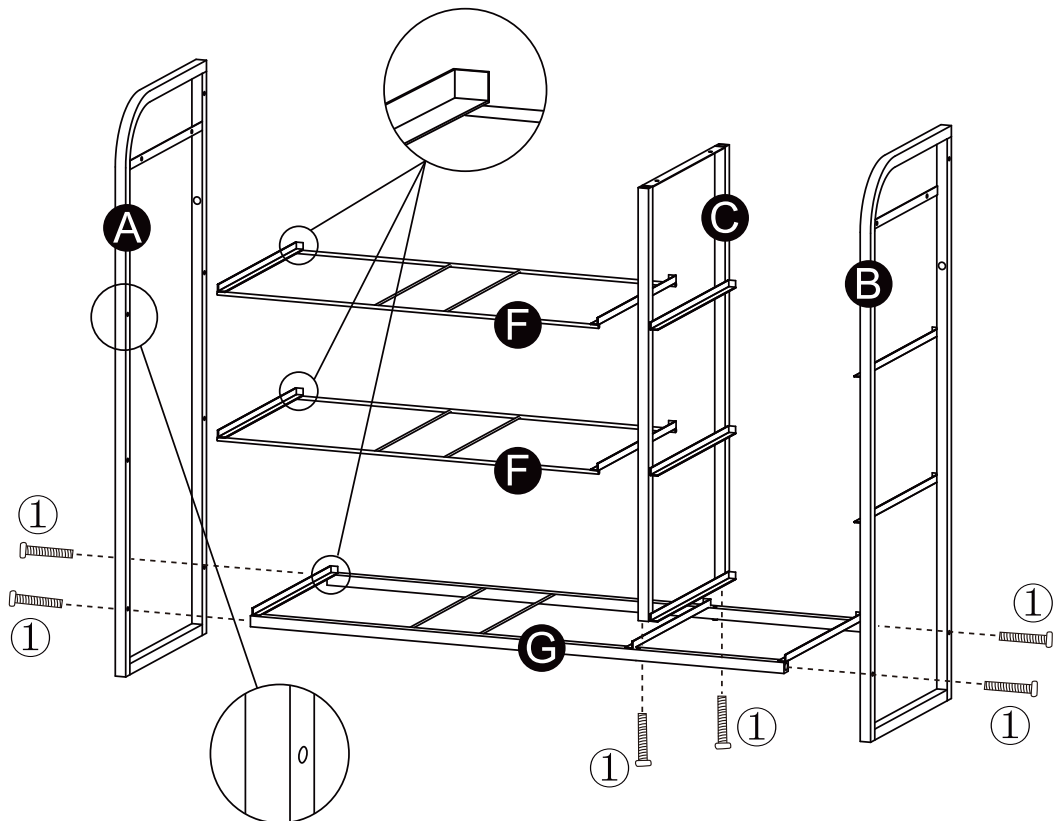
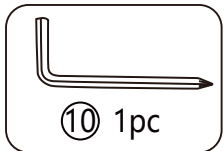
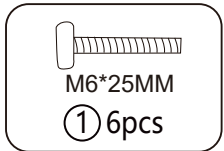
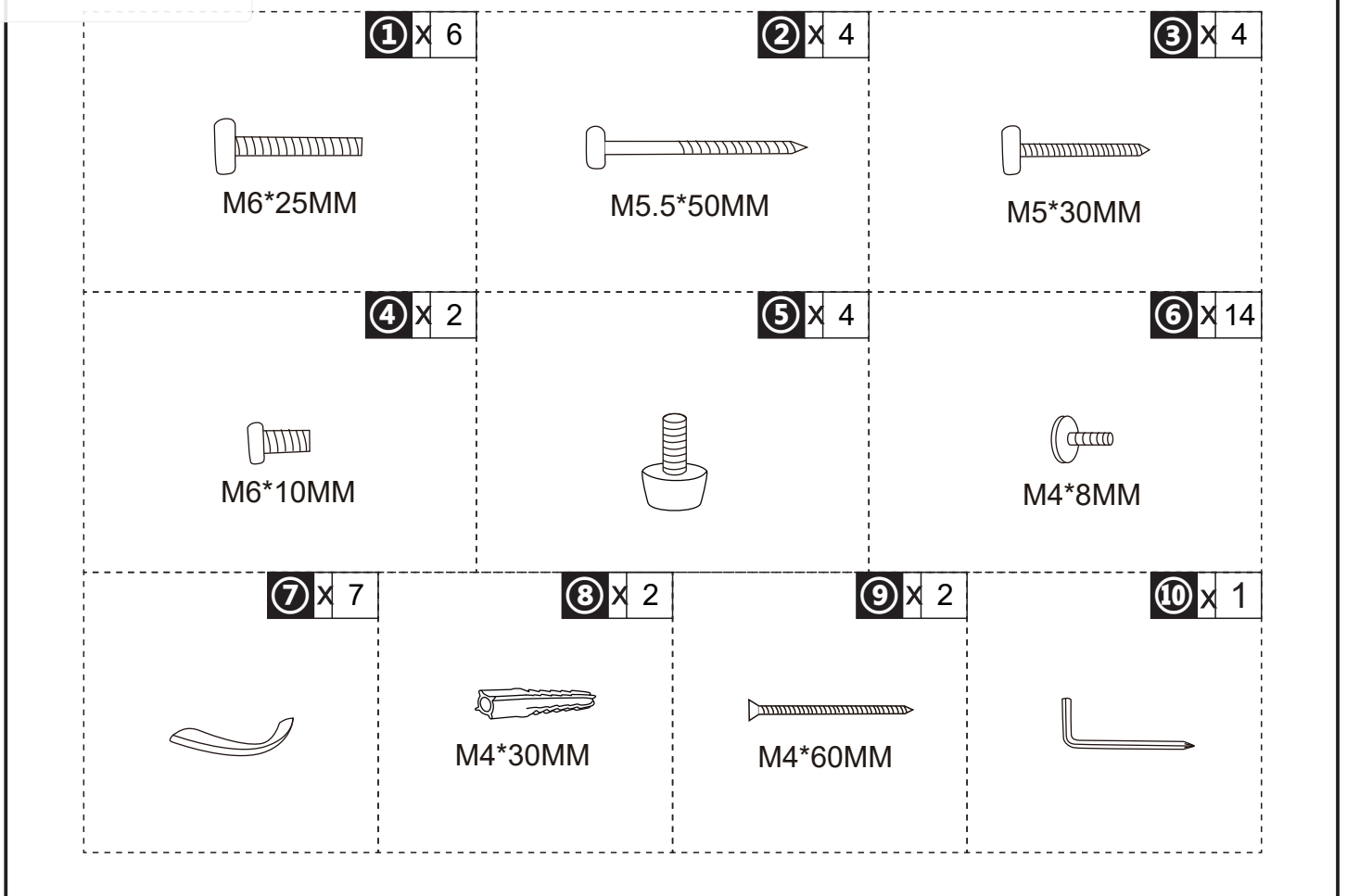


**L** x 2



**M** x 2





M5.5\*50MM

② 2pcs

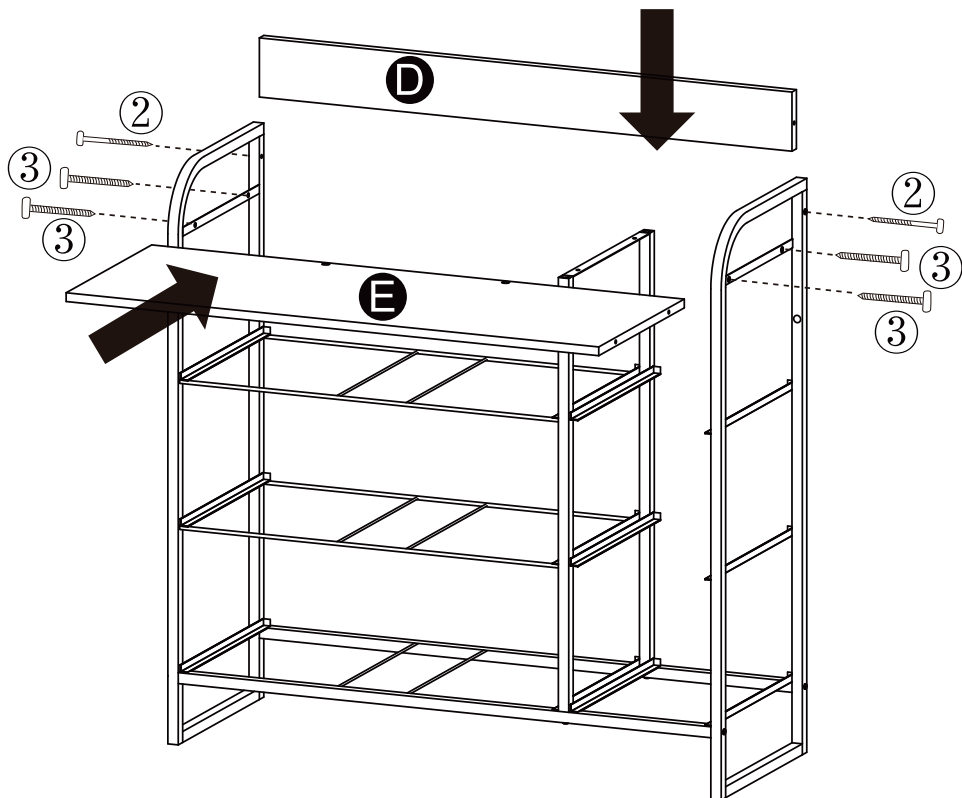


M5\*30MM

③ 4pcs



⑩ 1pc



M5.5\*50MM

② 2pcs



M6\*10MM

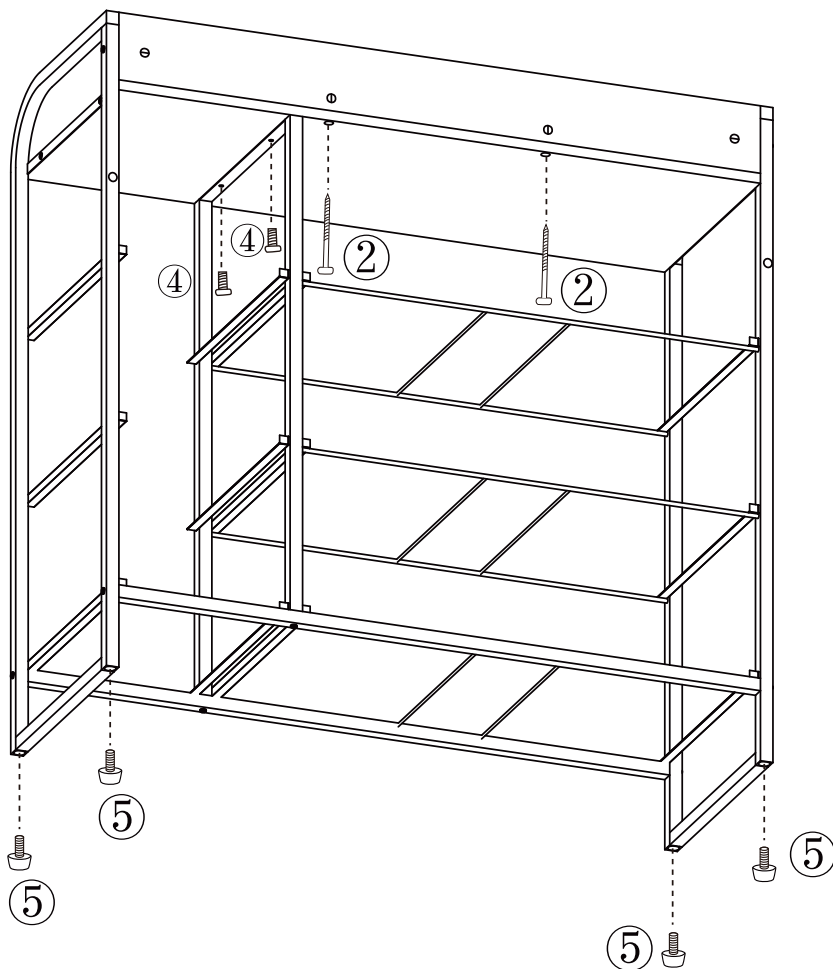
④ 2pcs



⑤ 4pcs



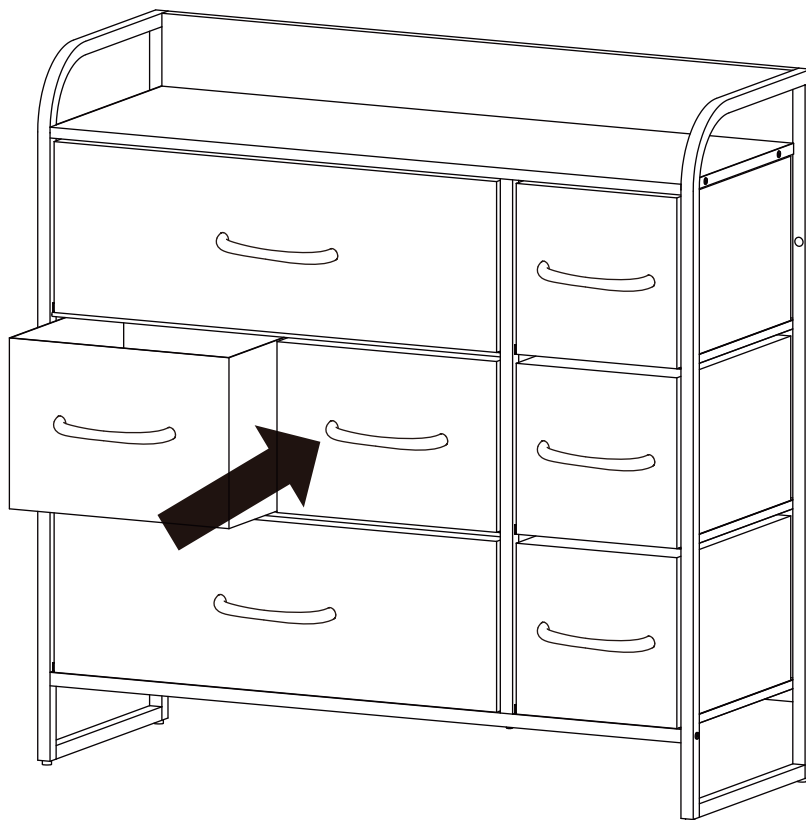
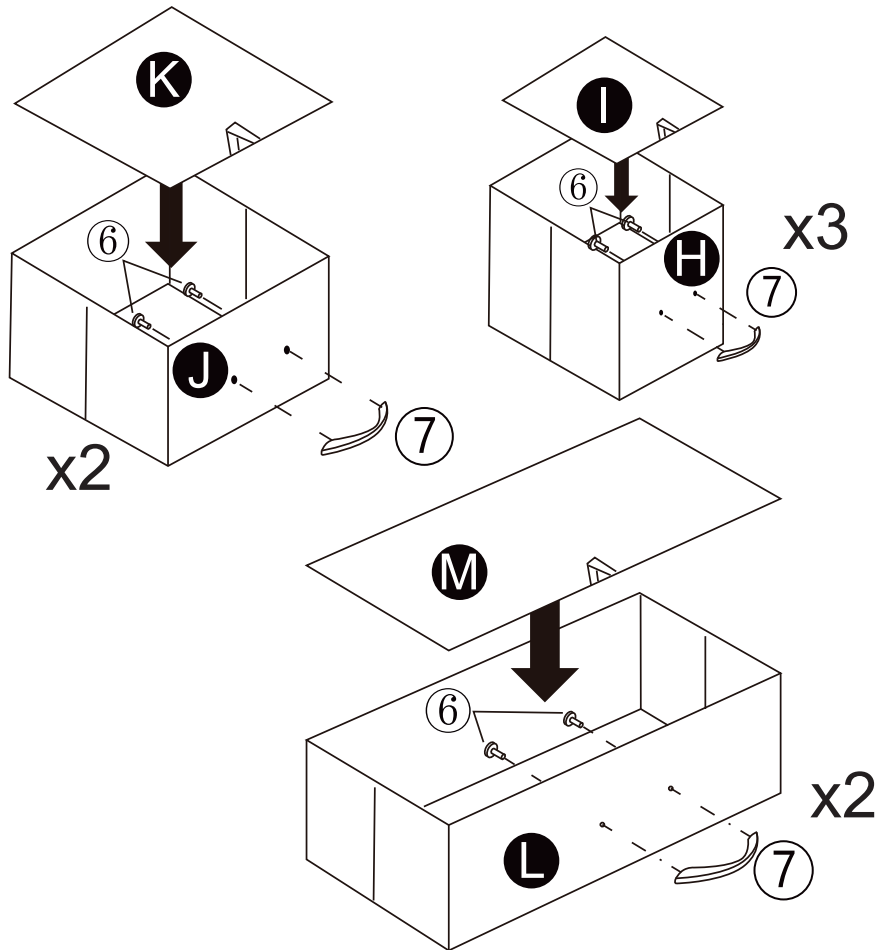
⑩ 1pc



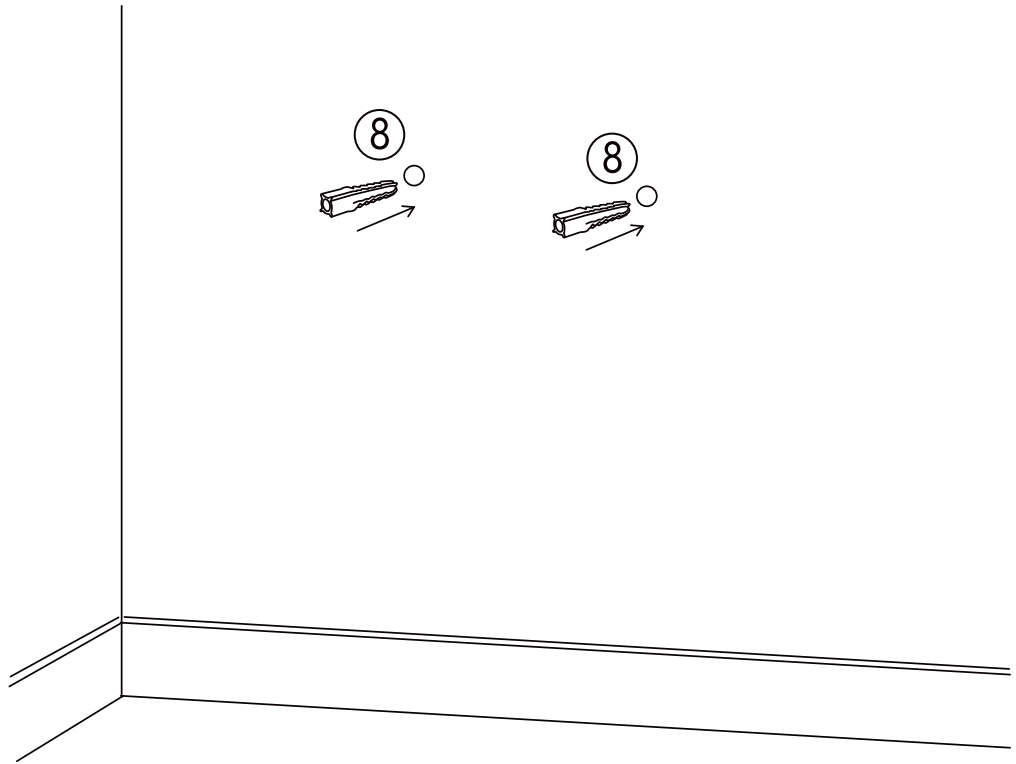
M4\*8MM  
⑥ 14pcs

⑦ 7pcs

⑨ 1pc



⑧ 2pcs



M4\*60MM  
⑨ 2pcs

Done

