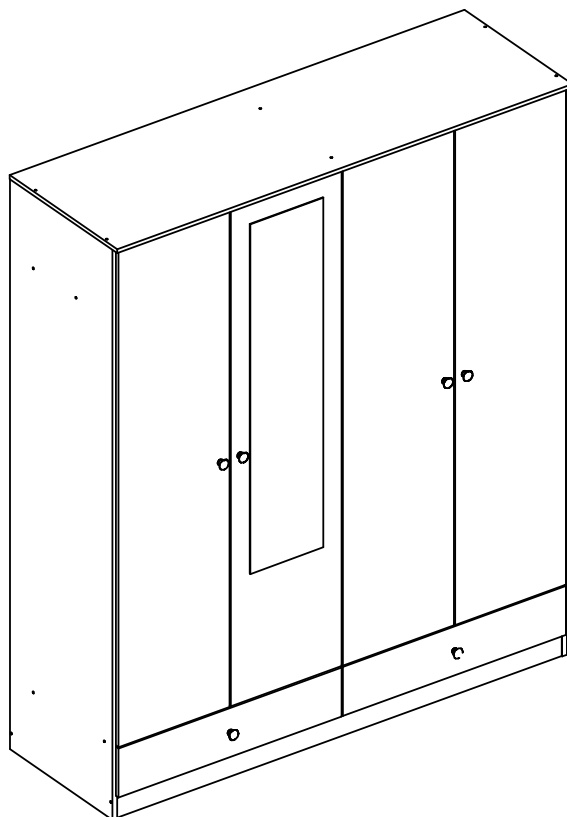


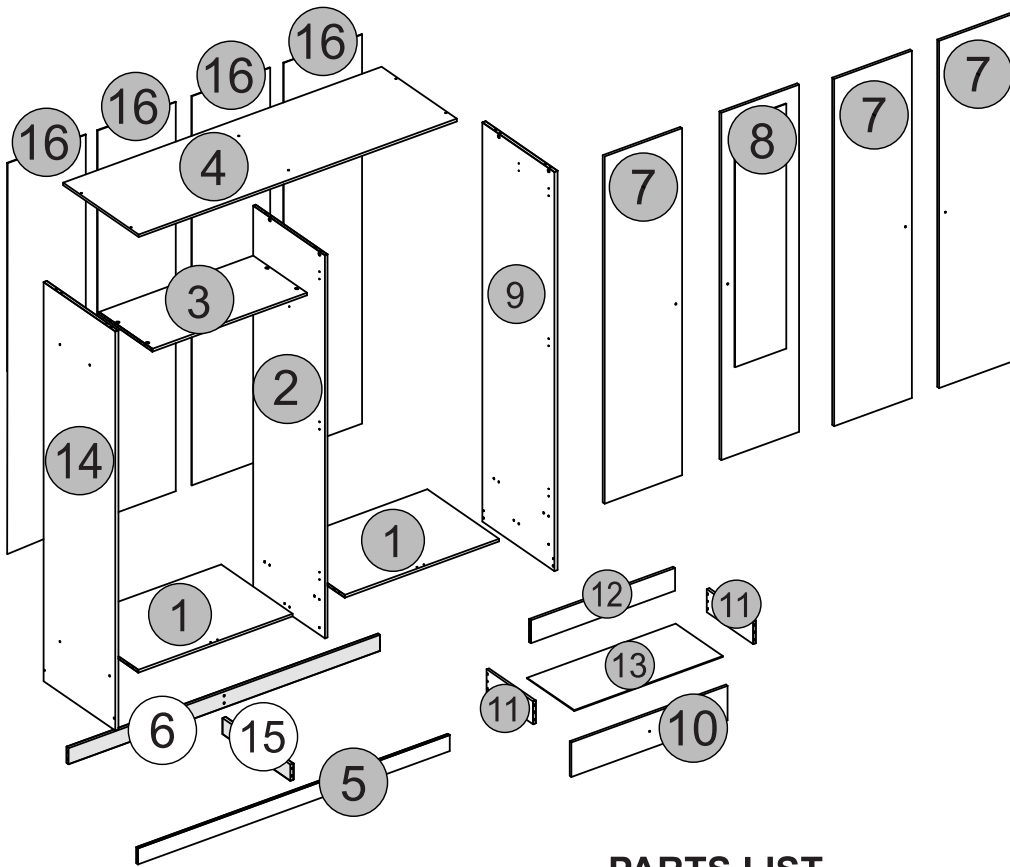
4 DOOR 2 DRAWER MIRRORED WARDROBE ASSEMBLY INSTRUCTIONS



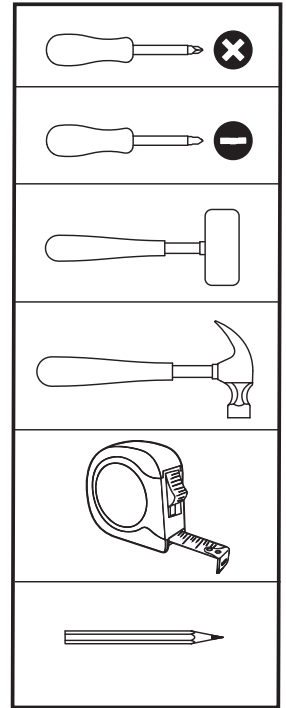
IMPORTANT **FOR DOMESTIC USE ONLY** PLEASE READ BEFORE YOU CONTINUE FURTHER **CARE AND MAINTENANCE**

After unpacking this product please keep the original packaging in case it needs to be returned for any reason.

- Please ensure all fittings and parts are present before commencing with assembly.
- Never drag or push products as this could cause damage to the joints making it inferior.
- We strongly recommend that you keep children away from your work area.
- We recommend that you lay a blanket or sheet on the floor to avoid damage to both your floor and the product.
- Assemble this product as close to its final position as possible.
- Do not place this product next to a radiator or in direct sunlight.
- Do not drag or push items across your high gloss furniture as this may cause the surface to scratch
- Wood is a natural product and may expand if subjected to damp and may shrink or crack if subjected to heat. Therefore it is recommended that room temperature is maintained, with no sudden temperature fluctuations.
- Make sure any spillage is wiped off immediately.
- Do not place hot or chilled items directly on to the surface, use a place mat or marking will occur.
- For general cleaning use a soft cotton or micro fibre cloth, and do not use detergents of any kind.
- From time to time it may be necessary to tighten fittings, regular inspections should be carried out.
- Do not place on a wet or damp floor as staining may occur to your floor.



TOOLS REQUIRED



PARTS LIST

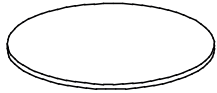
Please Note:

The below parts have all been stamped with the part number/color to help identify them during assembly.

Part Number	Part Description	Quantity	Carton
1	Base Panel	2	2/3
2	Division Panel	1	1/3
3	Shelf	1	2/3
4	Top Panel	1	2/3
5	Front Baseboard	1	1/3
6	Back Baseboard	1	1/3
7	Door	3	3/3
8	Mirror Door	1	3/3
9	Right Side Panel	1	1/3
10	Drawer Front	2	2/3
11	Drawer Side	4	1/3
12	Drawer Back Panel	2	1/3
13	Drawer Bottom	2	1/3
14	Left Side Panel	1	1/3
15	Central Baseboard	1	2/3
16	Back Panel	4	3/3

ATTENTION
INFORMATION ABOUT HOLE COVERS

E1



Hole Plugs (16X)

USE IN STEP 39


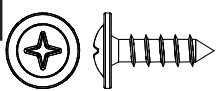
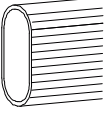
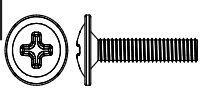
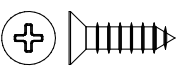
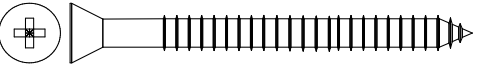

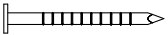
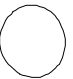
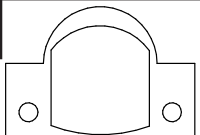
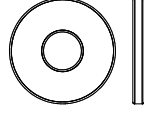
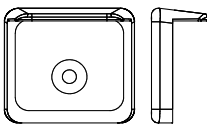
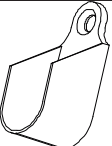
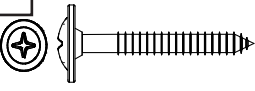
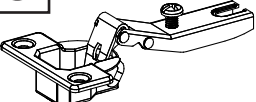
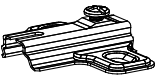
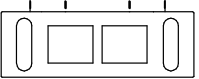
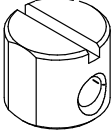
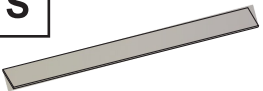

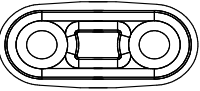
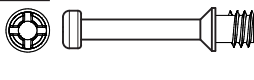
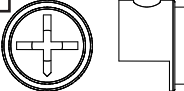

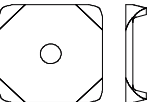
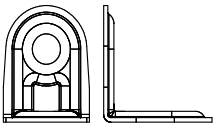
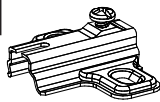
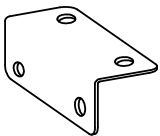
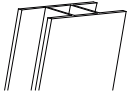
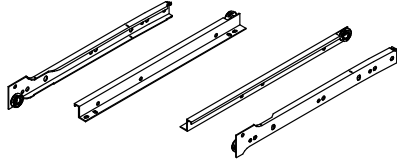


F1



Hole Plugs Líneo (10X)



USE IN STEP 30 AND 39



FITTINGS LIST


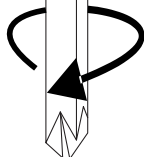
A	 Handle (6X)	B	 Flan Head Screw 2/+ Ø 4,0 x 12mm (12x)	C	 Hanging Rail (2x)	D	 Flan Head Screw 1/+ Ø4,0 x 20mm (6x)	E	 Flat Head Screw 2/+ Ø4,0 x 12mm (98x)
F	 Flat Head Screw Ø4,0 x 40mm (24x) 2/+	G	 Dowel Ø6,0 x 30mm (38x) 2/+	H	 Nail 10 x 10 (100x) 4/+	I	 Ø6x2mm Silicone Drop (8x) 2/+	J	 1/+ Plastic shim for hinge(12x)
K	 Washer (4x) 2/+	L	 Plastic Foot (6x) 1/+	M	 Hanger Support (4x)	N	 Flan Head Screw Ø3,5 x 25mm (2x) 1/+	O	 Hinge (12x)
P	 Hinge Plate D5 (6x)	Q	 Plastic Stop (4x)	R	 2/+ Cylindrical Nut 12x9 (24x)	S	 Strap 200mm (2x)	T	 Glue (2x)
U	 1/+ Fixing Support (1x)	V	 1/+ Cam Bolt (4x)	W	 1/+ Cam Nut 12mm (4x)	X	 1/+ Dowel Ø6,0 x 50mm (3x)	Y	 2/+ Back Fixer (14x)
Z	 1/+ 'L' Metallic Support (2x)	A1	 Hinge Plate D7 (6x)	B1	 1/+ Double Corner (2x)	C1	 Back Panel Strip (2x)	D1	 Drawer Runners (2x)
E1	 2/+ Hole Plugs (16x)	F1	 +2 Hole Plugs Lineo (10x)						

TIPS FOR FITTINGS CAM-LOCKS

WHEN FITTING CAM NUT. ENSURE STARTING POSITION IS CORRECT BEFORE YOU INSERT CONNECTING CAM BOLT TURN CLOCKWISE UNTIL SECURE



CORRECT

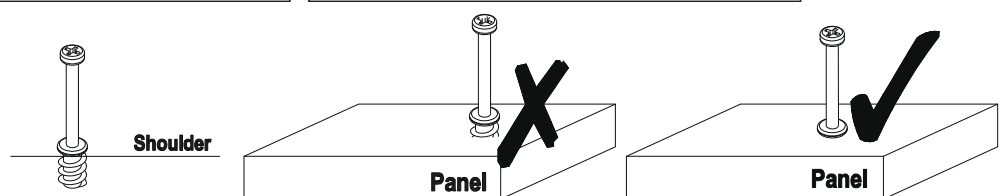


WRONG

Cam bolt head needs to be in centre

CAMBOLT

Tighten until shoulder is flush with panel. Do not overtighten or undertighten (see example beside)

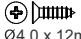


STEP 1

PARTS REQUIRED

14 – LEFT SIDE PANEL x1

HARDWARE REQUIRED

E  08
Ø4,0 x 12mm

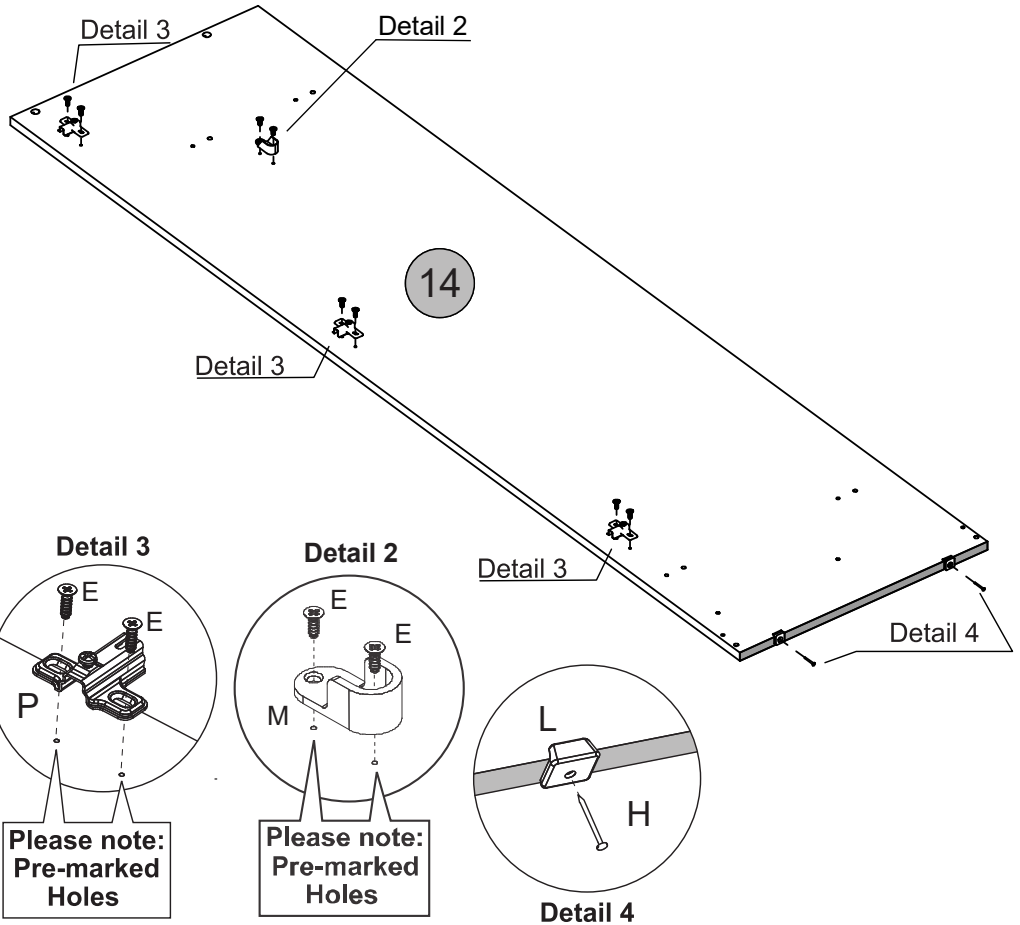
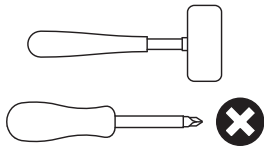
H  02

L  02

M  01

P  03

TOOLS REQUIRED

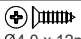


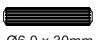
STEP 2

PARTS REQUIRED


14 – LEFT SIDE PANEL x1


HARDWARE REQUIRED

E  02
Ø4,0 x 12mm

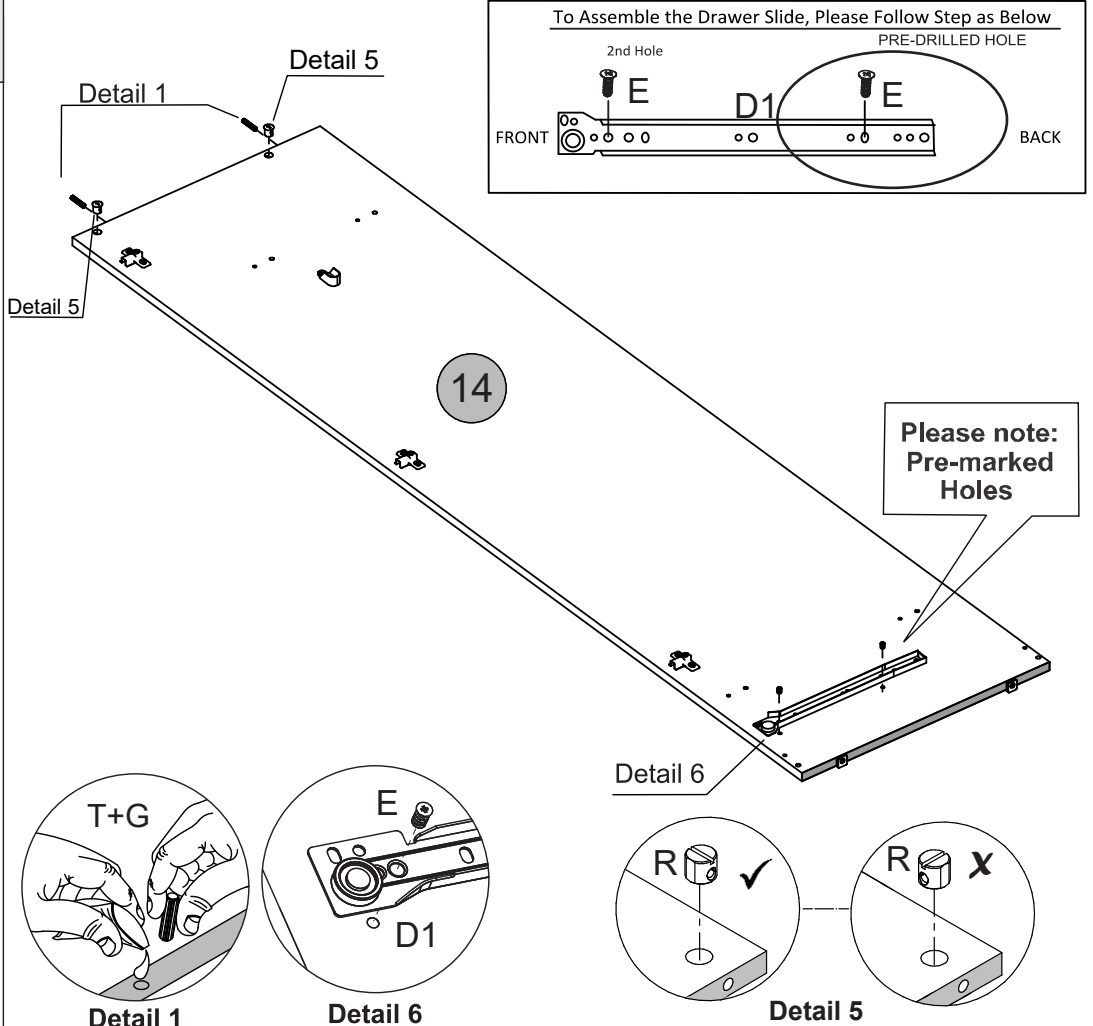
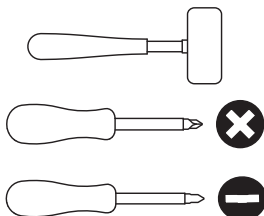
G  02
Ø6,0 x 30mm

R  02
Cylindrical Nut 12x9mm

T  01
Glue

D1  01
Left

TOOLS REQUIRED

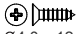


STEP 3

PARTS REQUIRED

9 – RIGHT SIDE PANEL x1

HARDWARE REQUIRED

E  08
Ø4,0 x 12mm

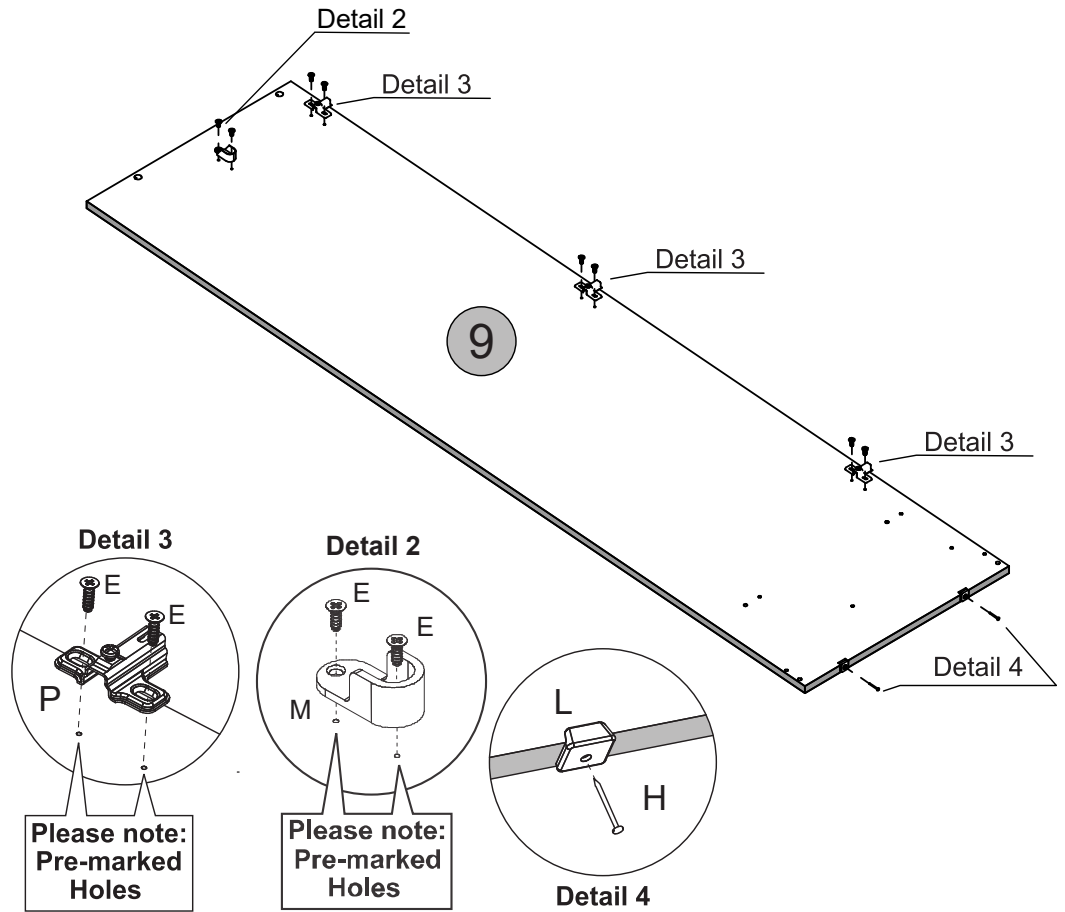
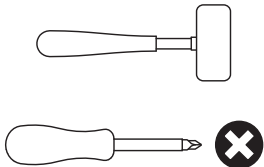
H  02

L  02

M  01

P  03

TOOLS REQUIRED

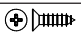



STEP 4

PARTS REQUIRED

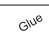
9 – RIGHT SIDE PANEL x1

HARDWARE REQUIRED

E  02
Ø4,0 x 12mm

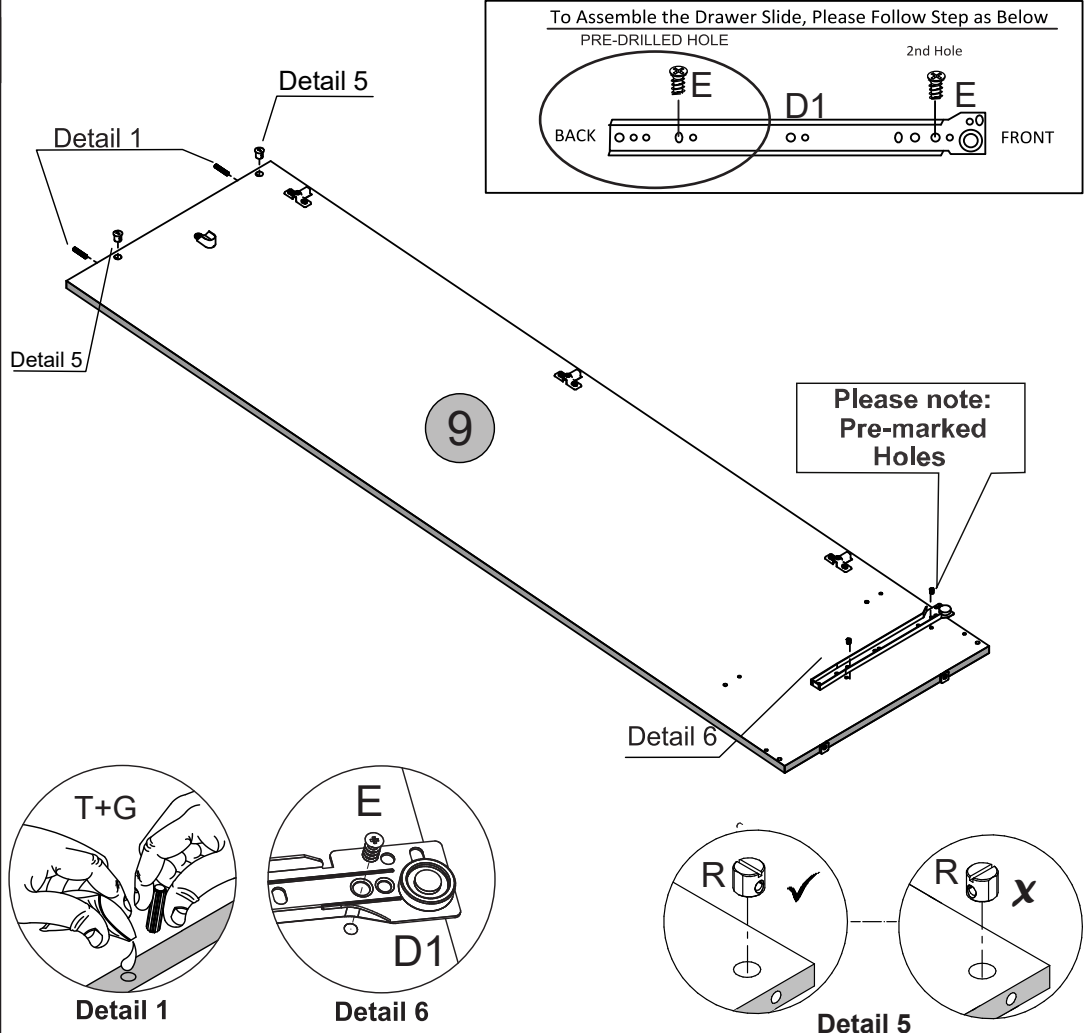
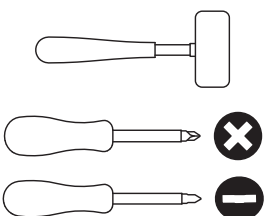
G  02
Ø6,0 x 30mm

R  02
Cylindrical Nut 12x9mm

T  01
Glue

D1  01
Right

TOOLS REQUIRED

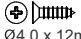


STEP 5

PARTS REQUIRED

2 - DIVISION PANEL x1

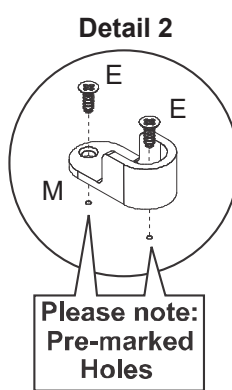
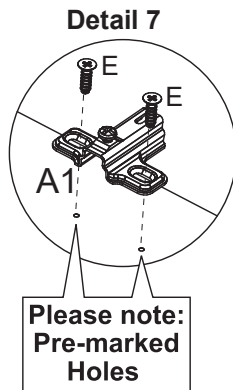
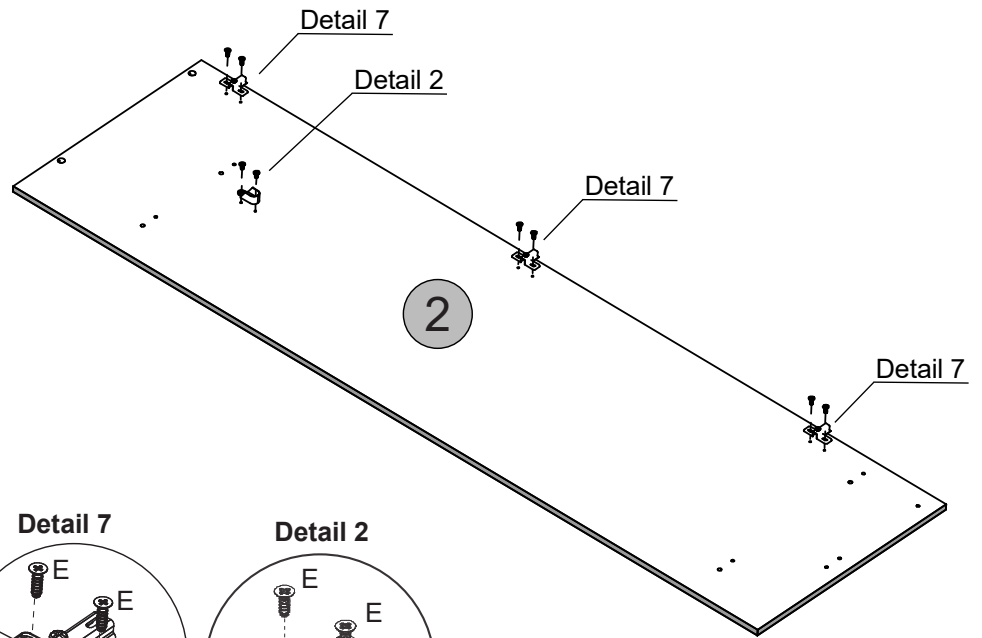
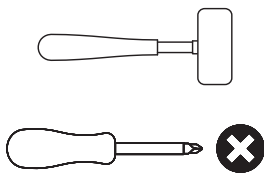
HARDWARE REQUIRED

E  08
Ø4,0 x 12mm

M  01

A1  03

TOOLS REQUIRED




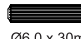
STEP 6

PARTS REQUIRED


2 - DIVISION PANEL x1

HARDWARE REQUIRED

E  02
Ø4,0 x 12mm

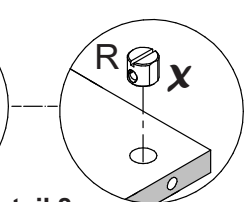
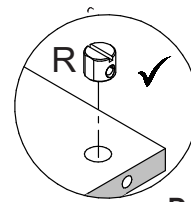
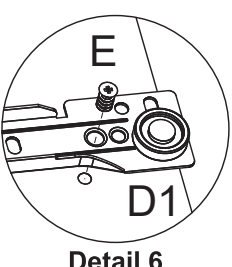
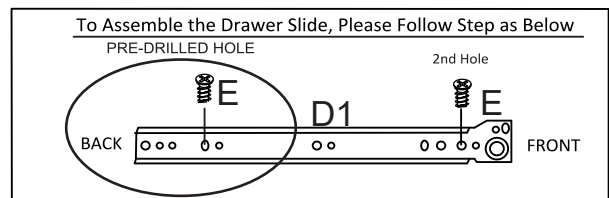
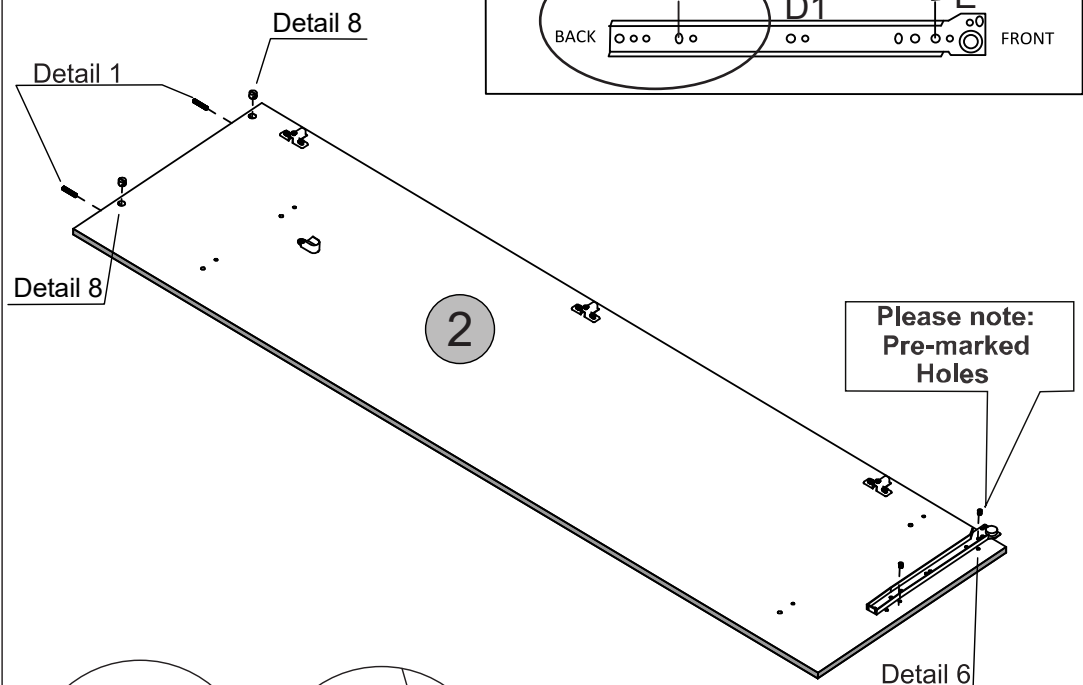
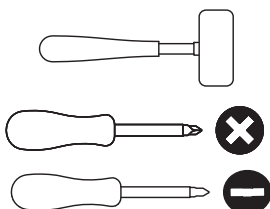
G  02
Ø6,0 x 30mm

R  02
Cylindrical Nut 12x9mm

T  01
Glue

D1  01
Right

TOOLS REQUIRED

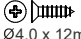


STEP 7

PARTS REQUIRED

2 - DIVISION PANEL x1

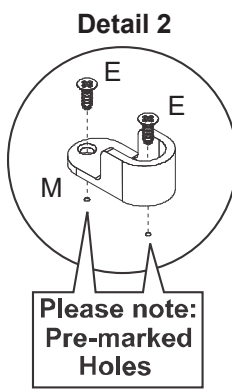
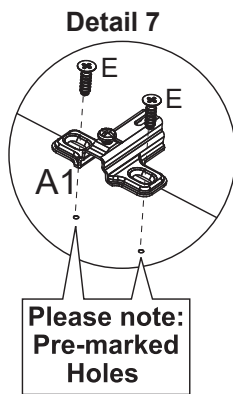
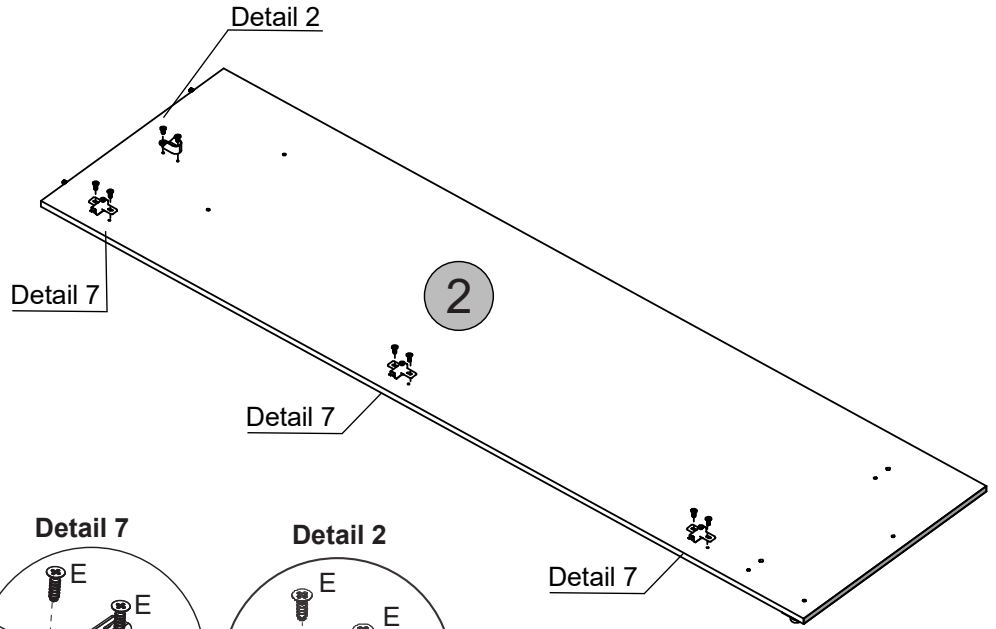
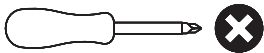
HARDWARE REQUIRED

E  08
Ø4,0 x 12mm

M  01

A1  03

TOOLS REQUIRED

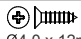



STEP 8

PARTS REQUIRED

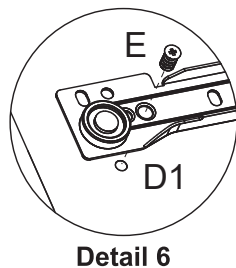
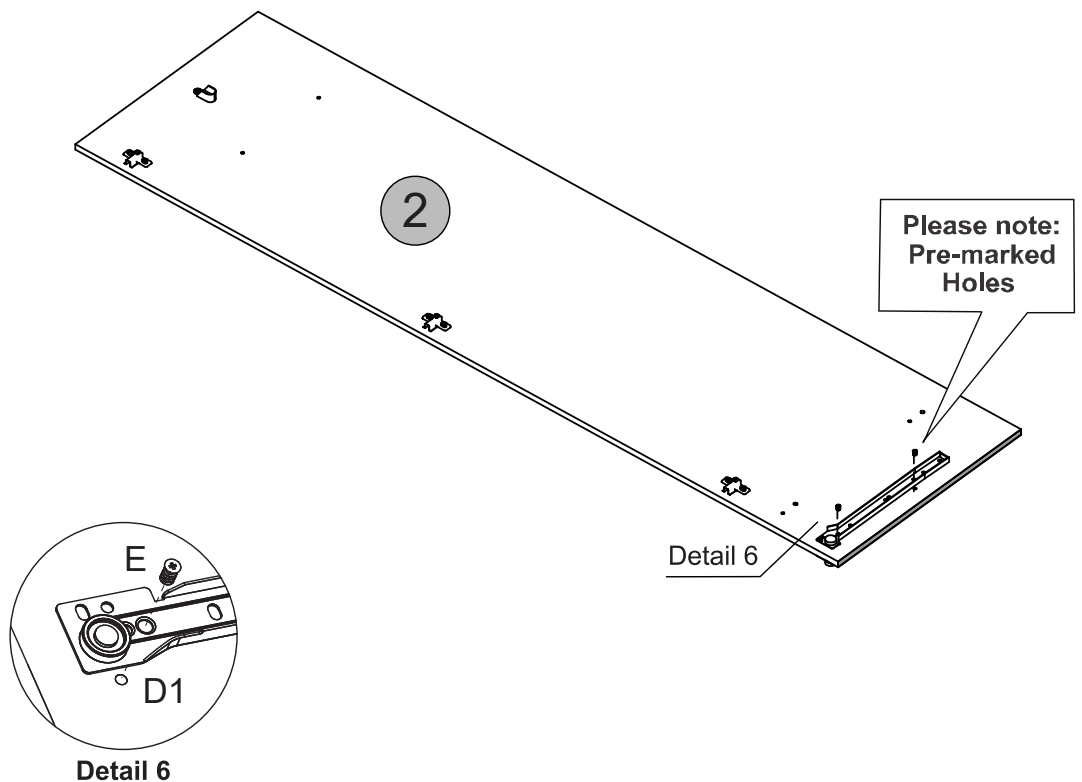
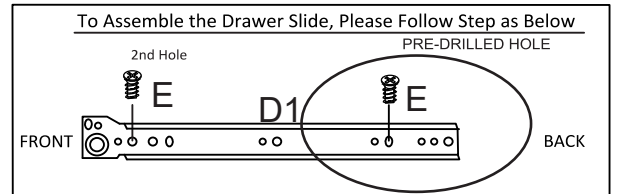
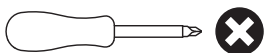
2 - DIVISION PANEL x1

HARDWARE REQUIRED

E  02
Ø4,0 x 12mm

D1  01
Left

TOOLS REQUIRED



STEP 9


WARNING:
Assemble the shoe
as shown in the
image to the side.

PARTS REQUIRED

5 – FRONT BASEBOARD x1

6 – BACK BASEBOARD x1


HARDWARE REQUIRED

G  04
Ø6,0 x 30mm

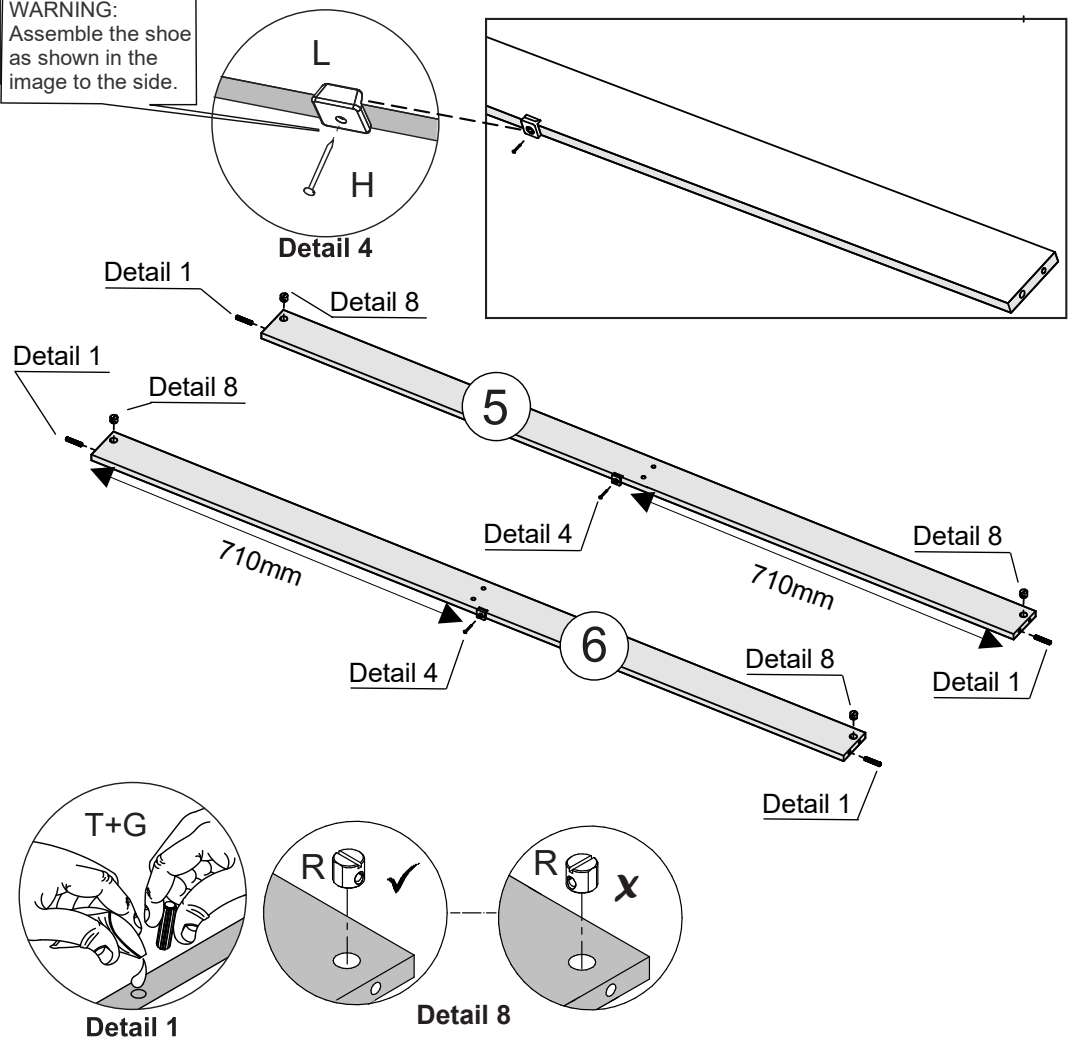
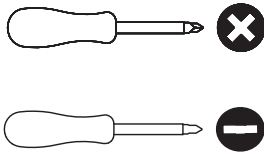
H  02

L  02

R  04
Cylindrical Nut 12x9mm

T  01

TOOLS REQUIRED



STEP 10


PARTS REQUIRED


4 – TOP PANEL x1

3 – SHELF x1


HARDWARE REQUIRED

E  04
Ø4,0 x 12mm

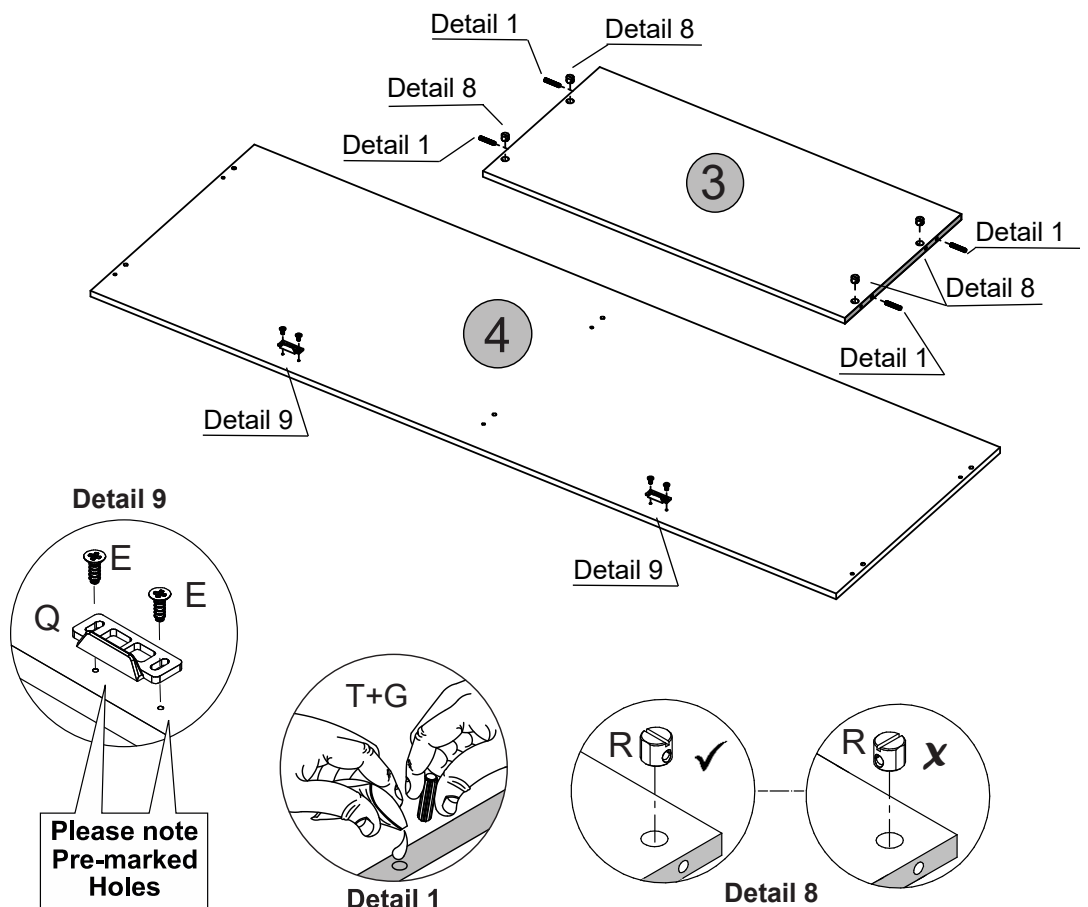
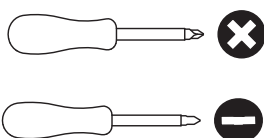
G  04
Ø6,0 x 30mm

Q  02

R  04
Cylindrical Nut 12x9mm

T  01

TOOLS REQUIRED




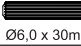
STEP 11

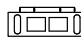
PARTS REQUIRED

1 – BASE PANEL x1

HARDWARE REQUIRED

E  06
Ø4,0 x 12mm

G  02
Ø6,0 x 30mm

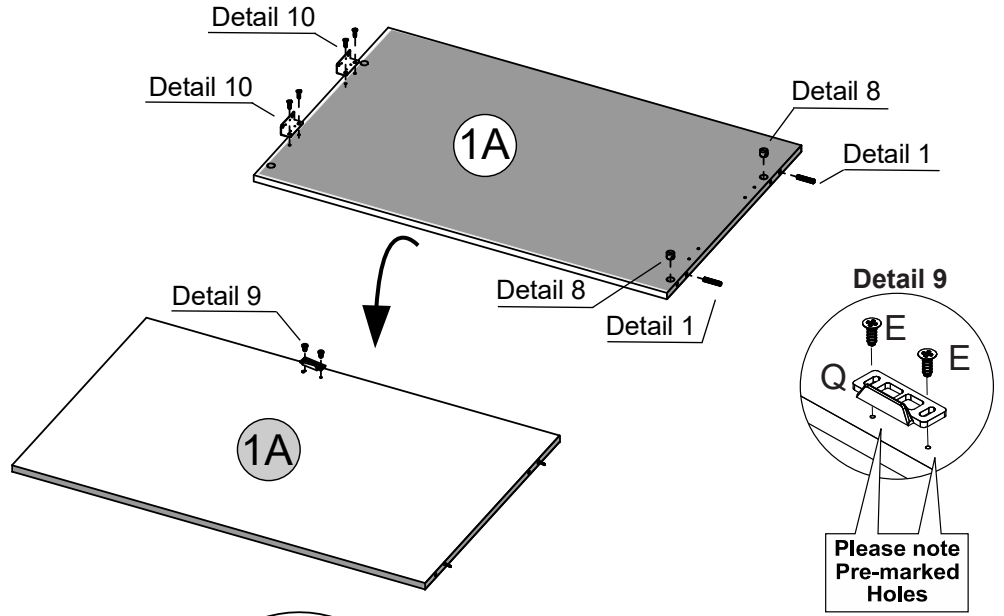
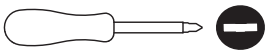
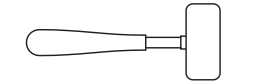
Q  01

R  02
Cylindrical Nut 12x9mm

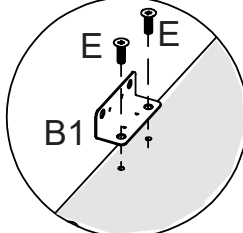
T  01
Glue

B1  02

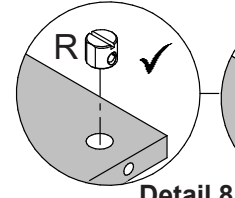
TOOLS REQUIRED



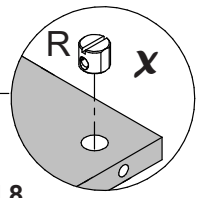
Detail 1



Detail 10



Detail 8

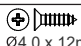


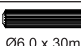
STEP 12


PARTS REQUIRED

1 – BASE PANEL x1

HARDWARE REQUIRED


E  02
Ø4,0 x 12mm

G  02
Ø6,0 x 30mm

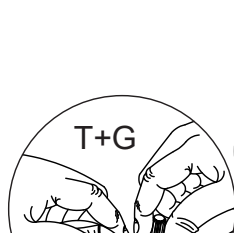
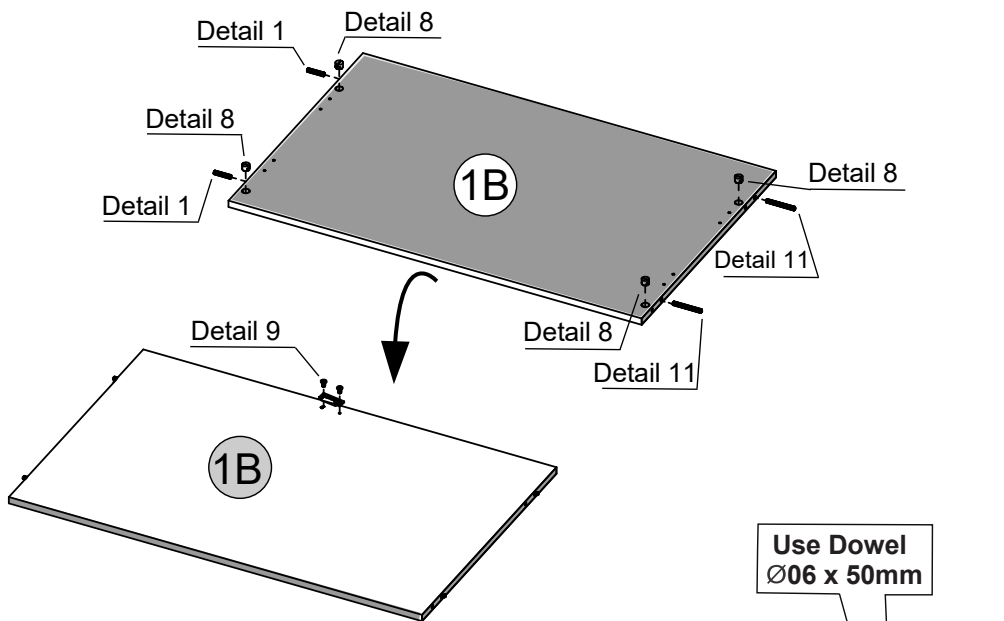
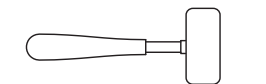
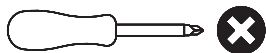
Q  01

R  04
Cylindrical Nut 12x9mm

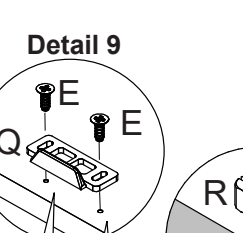
T  01
Glue

X  02
Ø6,0x 50mm

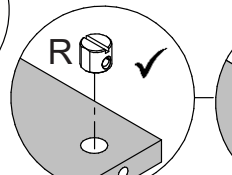
TOOLS REQUIRED



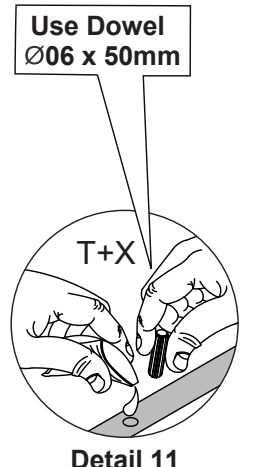
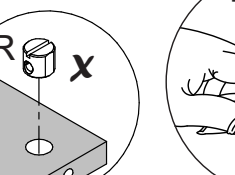
Detail 1



Detail 9
Please note
Pre-marked
Holes



Detail 8



Detail 11


STEP 13

PARTS REQUIRED

15 – CENTRAL BASEBOARD x1

HARDWARE REQUIRED

E  03
Ø4,0 x 12mm

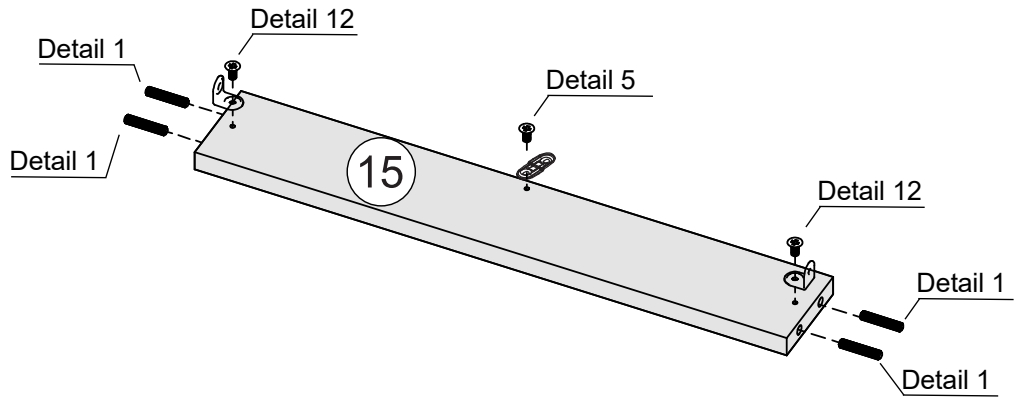
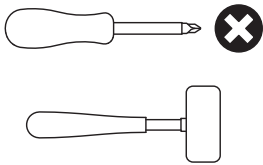
G  04
Ø6,0 x 30mm

U  01

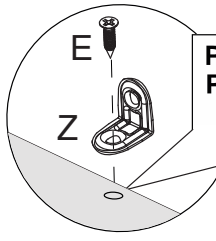
T  01

Z  02

TOOLS REQUIRED

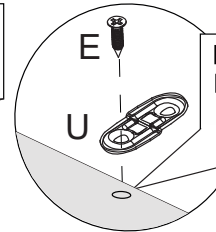


Detail 1



Detail 12

Please note
Pre-marked
Hole



Detail 5

Please note
Pre-marked
Hole

STEP 14

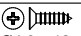
PARTS REQUIRED

5 – FRONT BASEBOARD x1

6 – BACK BASEBOARD x1

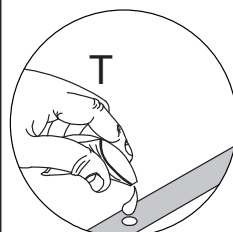
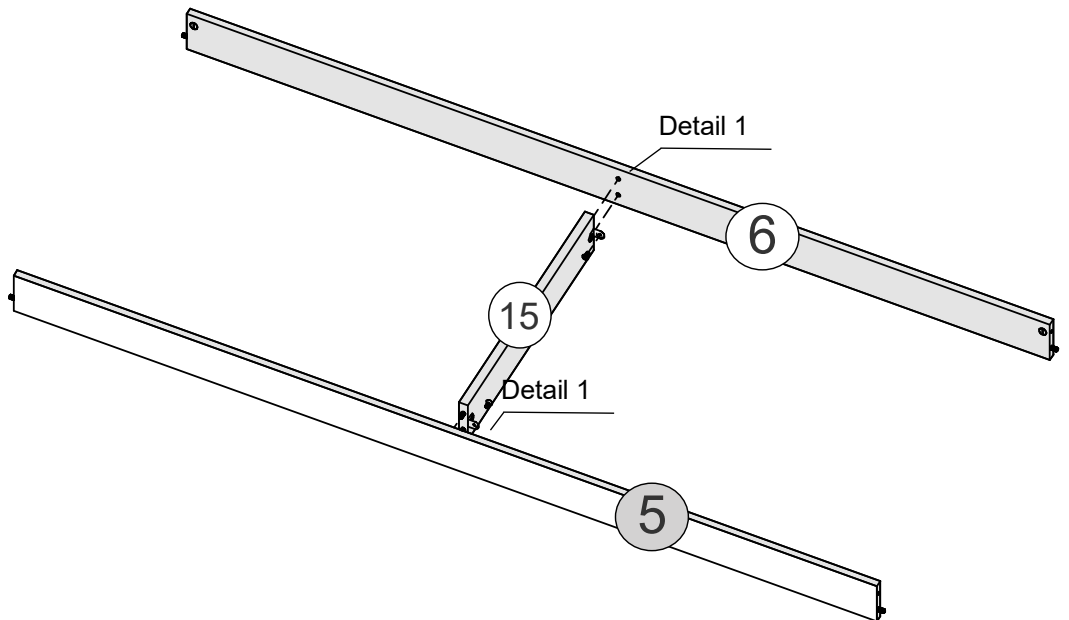
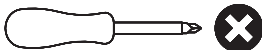
15 – CENTRAL BASEBOARD x1

HARDWARE REQUIRED

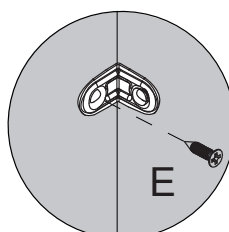
E  02
Ø4,0 x 12mm

T  01

TOOLS REQUIRED



Detail 1



Detail 13

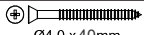
STEP 15

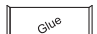
PARTS REQUIRED

1 – BASE PANEL x1

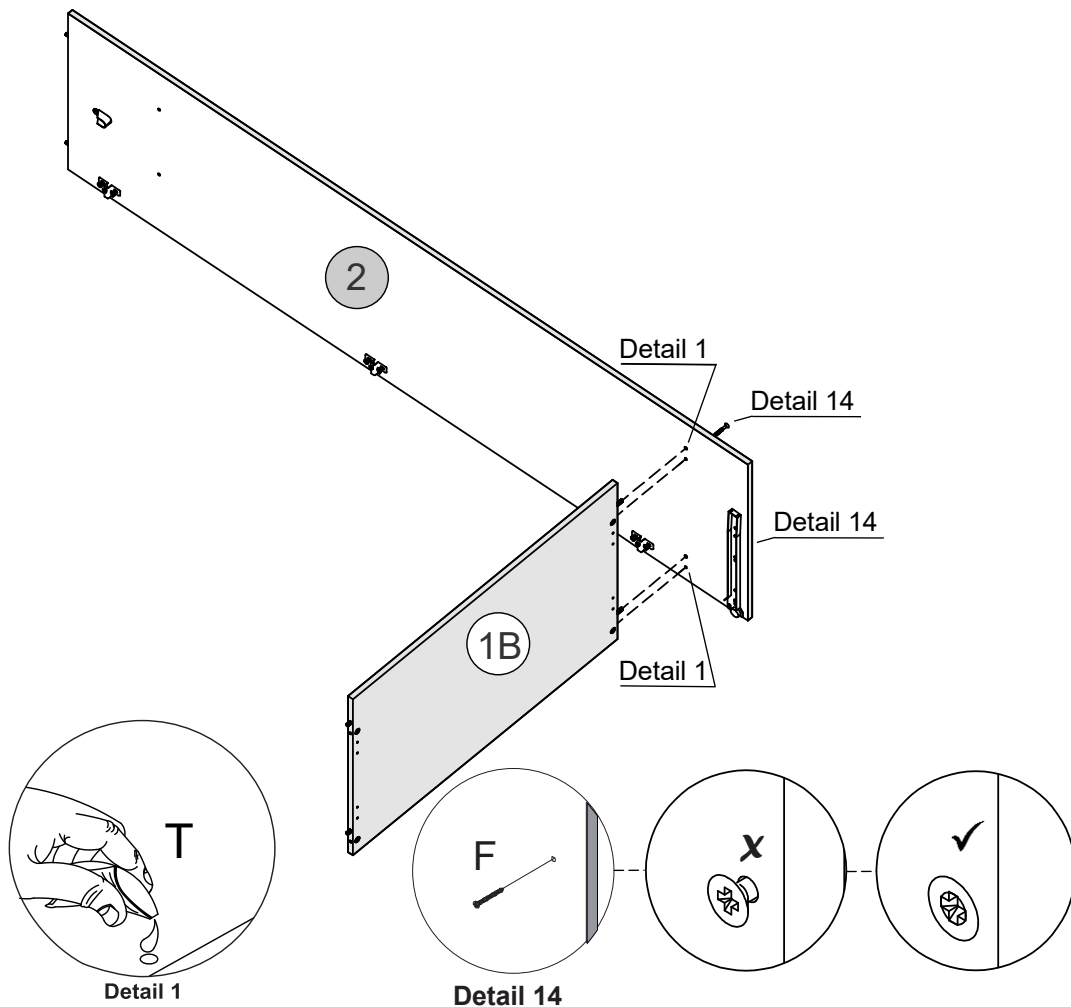
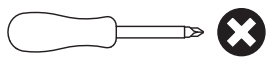
2 – DIVISION PANEL x1

HARDWARE REQUIRED

F  02
Ø4,0 x 40mm

T  01

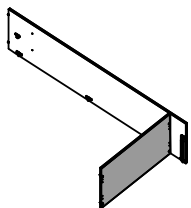
TOOLS REQUIRED



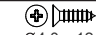
STEP 16


PARTS REQUIRED

1 – BASE PANEL x1

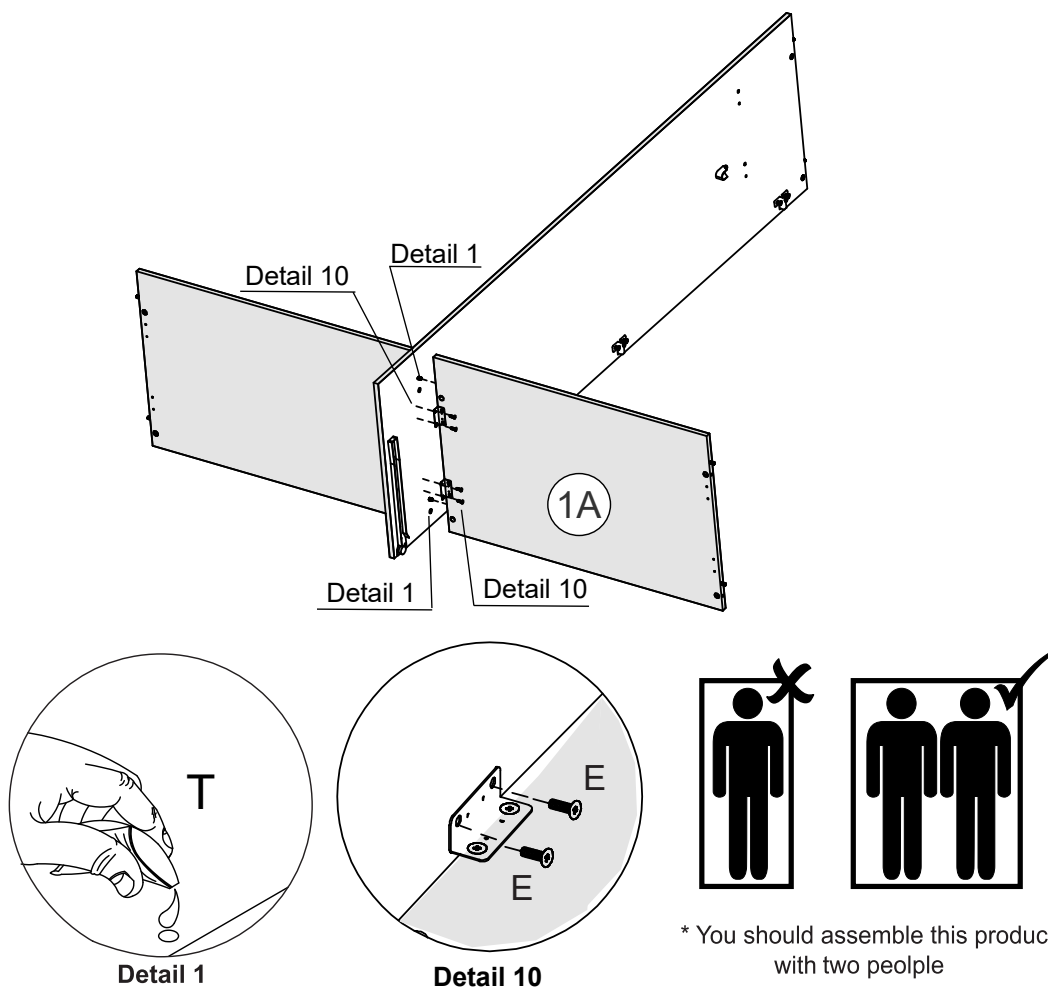
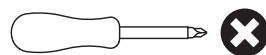


HARDWARE REQUIRED

E  04
Ø4,0 x 12mm

T  01

TOOLS REQUIRED



* You should assemble this product with two people

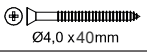
STEP 17


PARTS REQUIRED

3 - SHELF x1

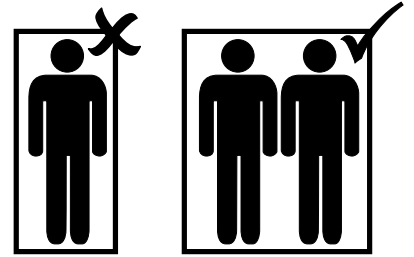
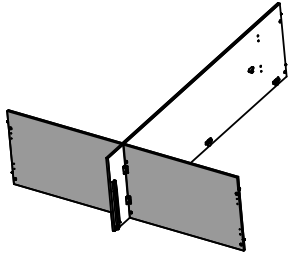
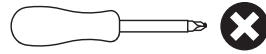
14 - LEFT SIDE PANEL x1

HARDWARE REQUIRED

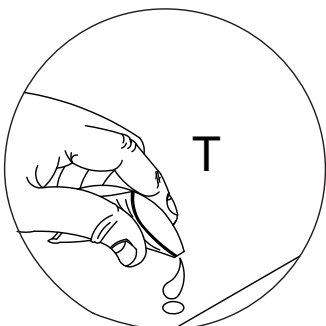
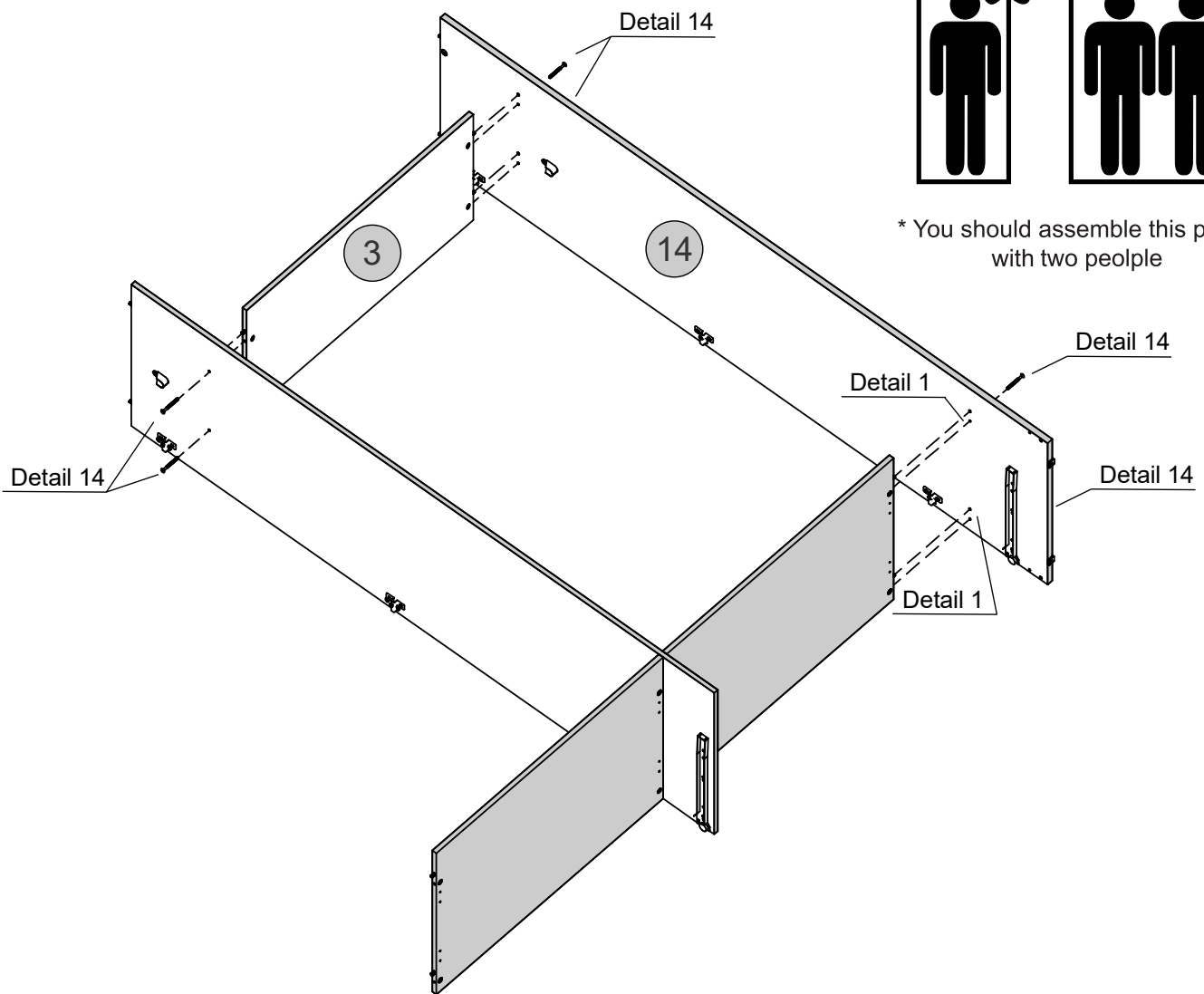
F  06
Ø4,0 x 40mm

T  01
Glue

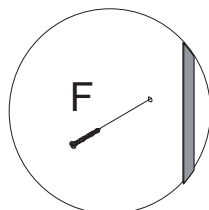
TOOLS REQUIRED



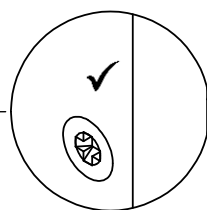
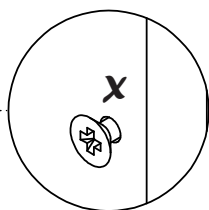
* You should assemble this product with two people



Detail 1



Detail 14



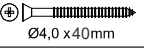
STEP 18

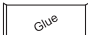
PARTS REQUIRED

5 – FRONT BASEBOARD x1

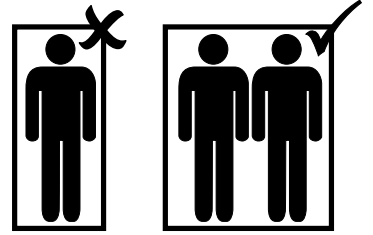
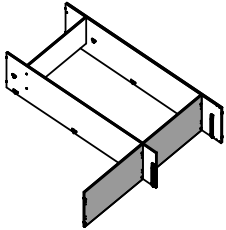
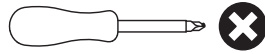
6 – BACK BASEBOARD x1

HARDWARE REQUIRED

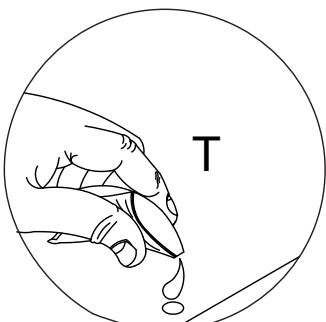
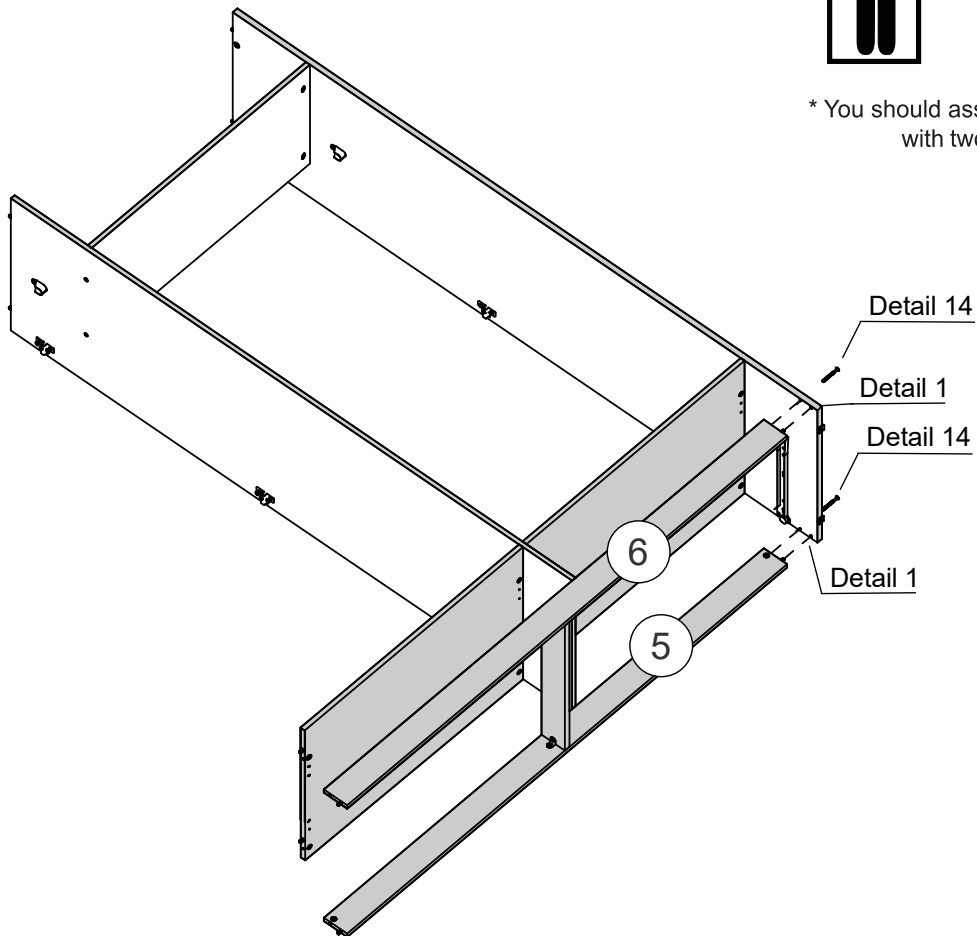
F  02
Ø4,0 x40mm

T  01
Glue

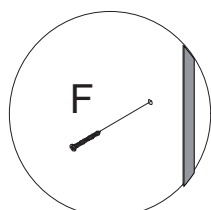
TOOLS REQUIRED



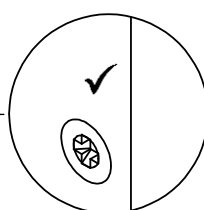
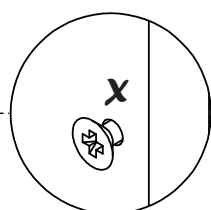
* You should assemble this product with two people



Detail 1



Detail 14

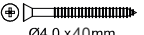


STEP 19

PARTS REQUIRED

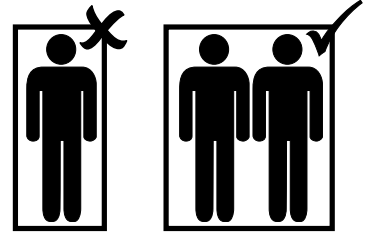
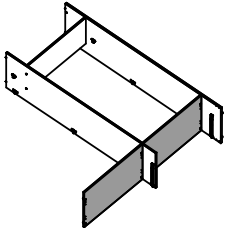
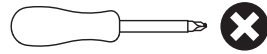
9 – RIGHT SIDE PANEL x1

HARDWARE REQUIRED

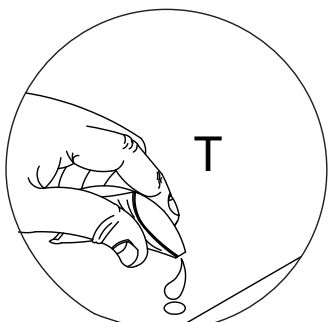
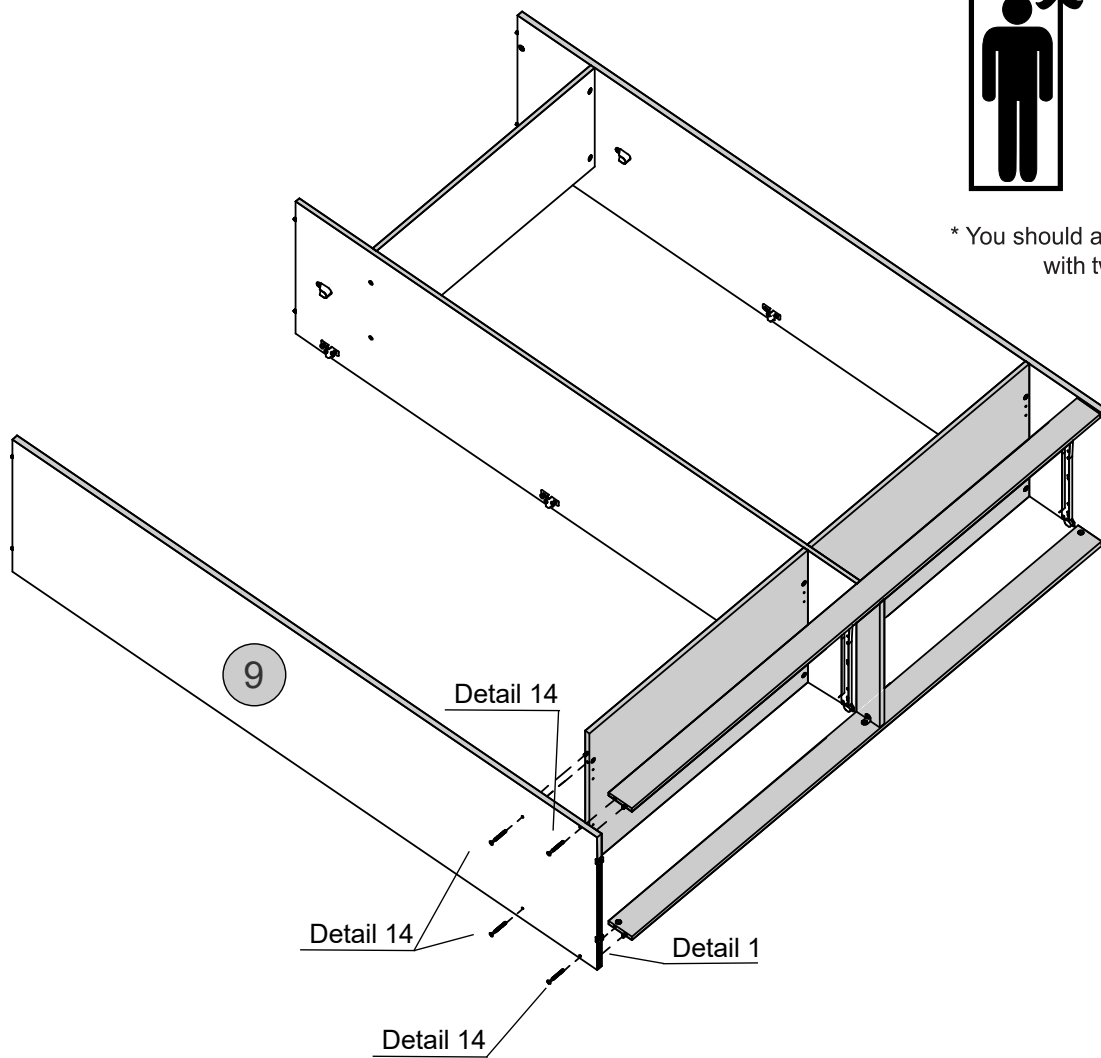
F  04
Ø4,0 x40mm

T  01

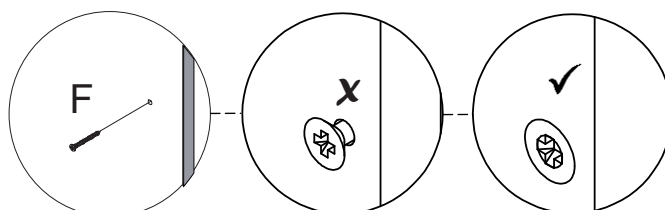
TOOLS REQUIRED



* You should assemble this product with two people



Detail 1



Detail 14

STEP 21

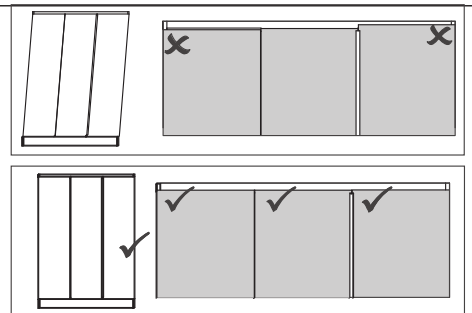
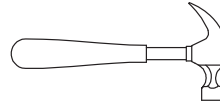
PARTS REQUIRED

16 – BACK PANEL x1

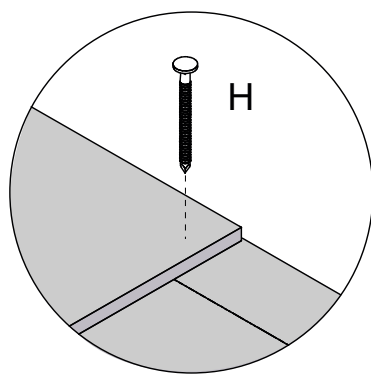
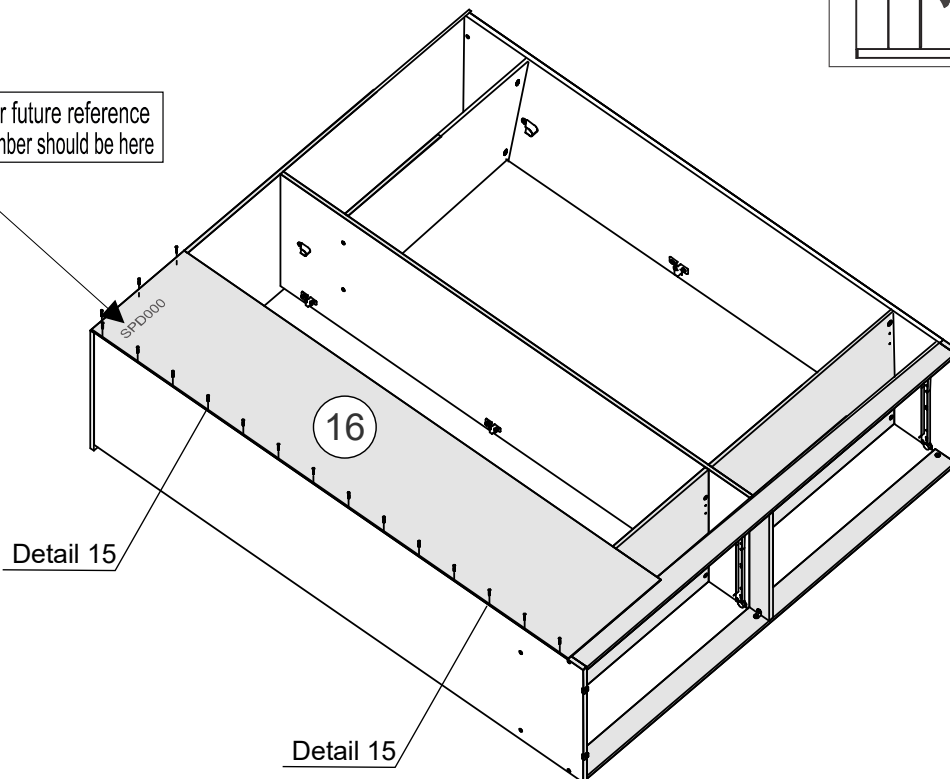
HARDWARE REQUIRED

H  10 x 10 17

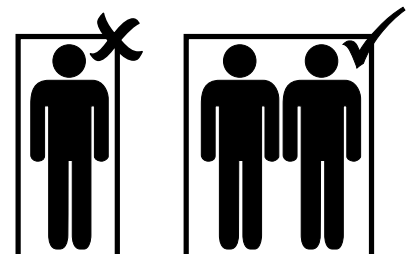
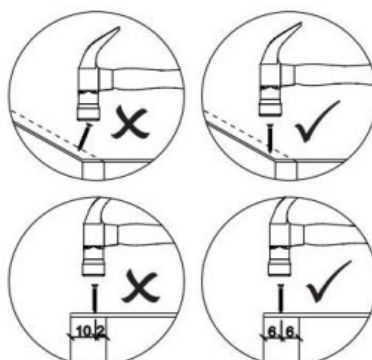
TOOLS REQUIRED



* For your future reference
Order Number should be here



Detail 15




* You should assemble this product
with two people

STEP 22

PARTS REQUIRED

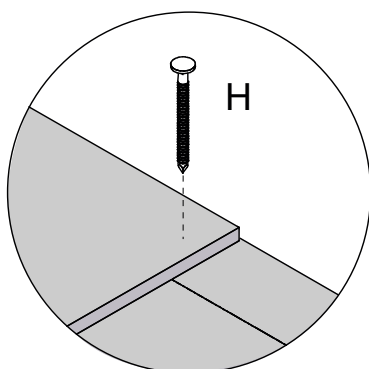
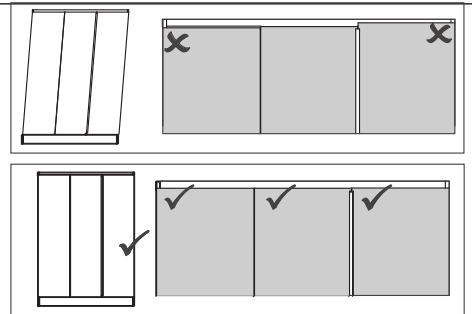
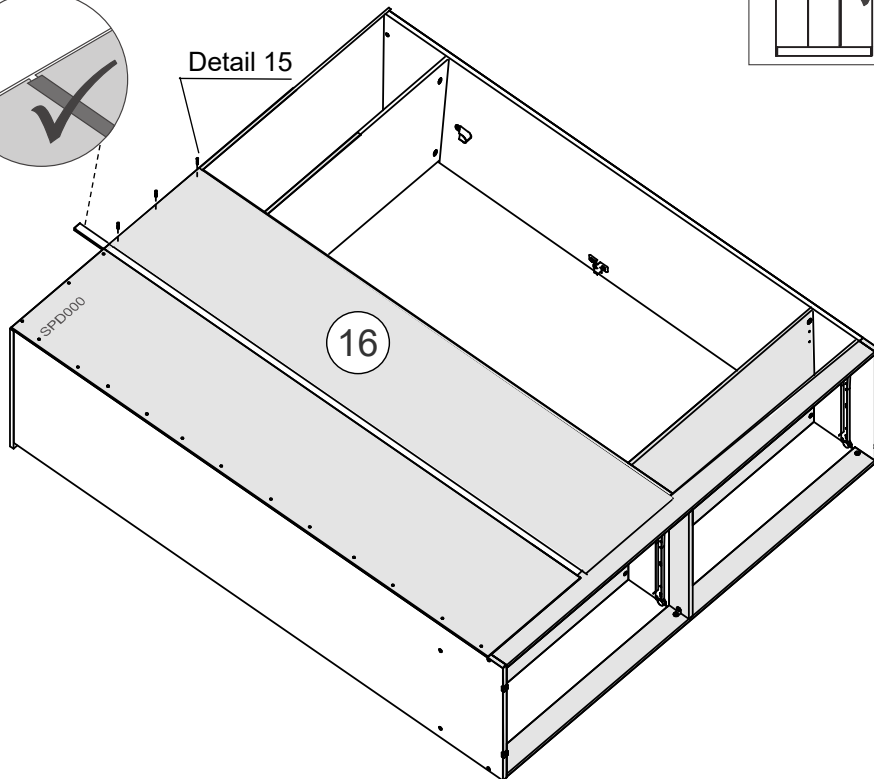
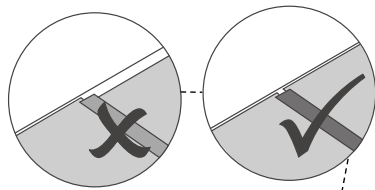
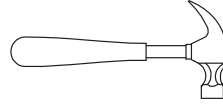
16 – BACK PANEL x1

HARDWARE REQUIRED

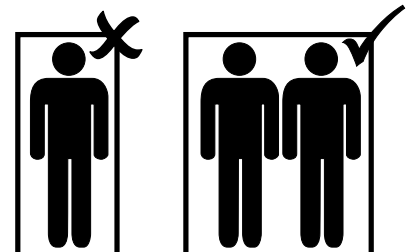
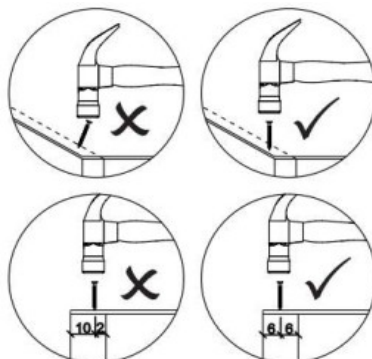
H  10 x 10 03

C1  01

TOOLS REQUIRED



Detail 15



* You should assemble this product with two people

STEP 23

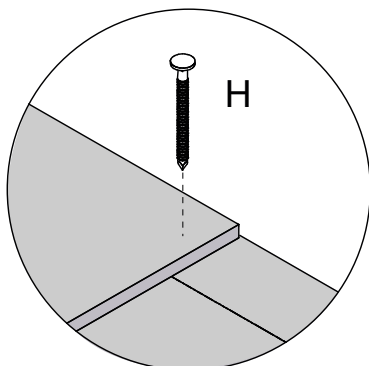
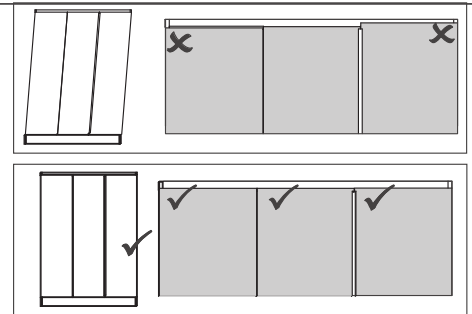
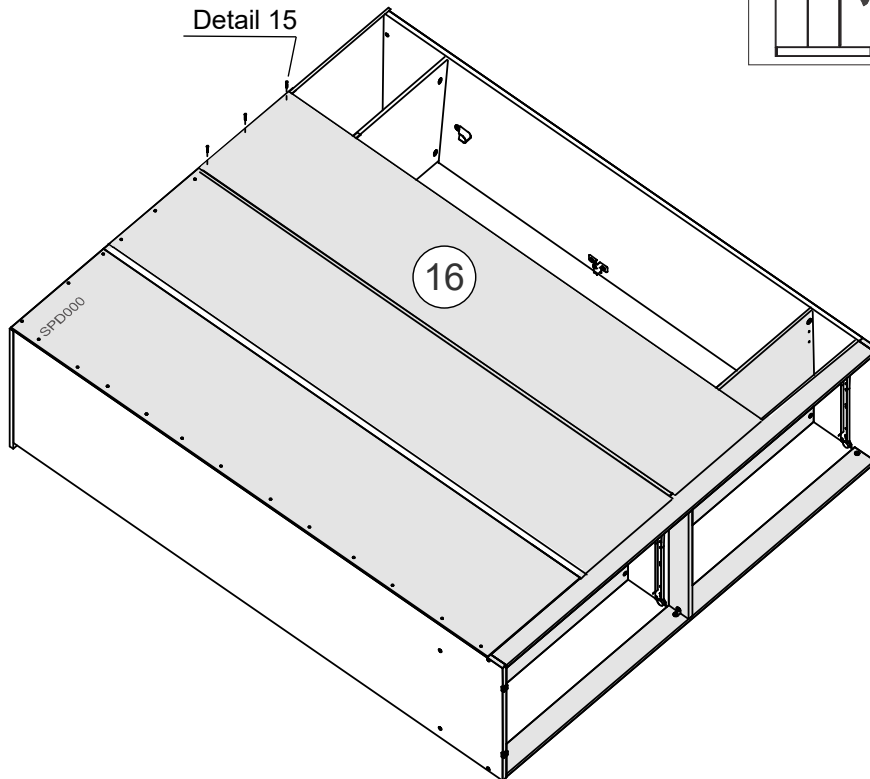
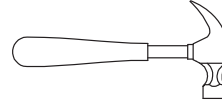
PARTS REQUIRED

16 – BACK PANEL x1

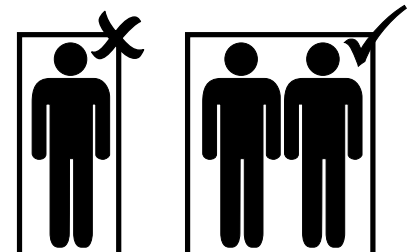
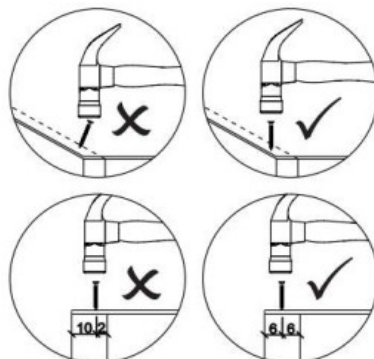
HARDWARE REQUIRED

H  10 x 10 03

TOOLS REQUIRED



Detail 15



* You should assemble this product with two people

STEP 24

PARTS REQUIRED

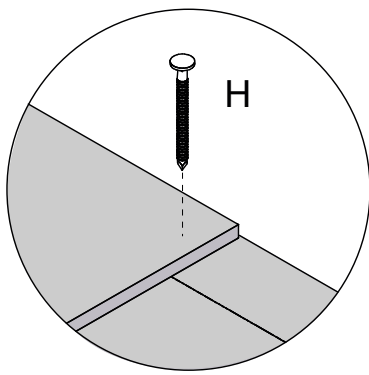
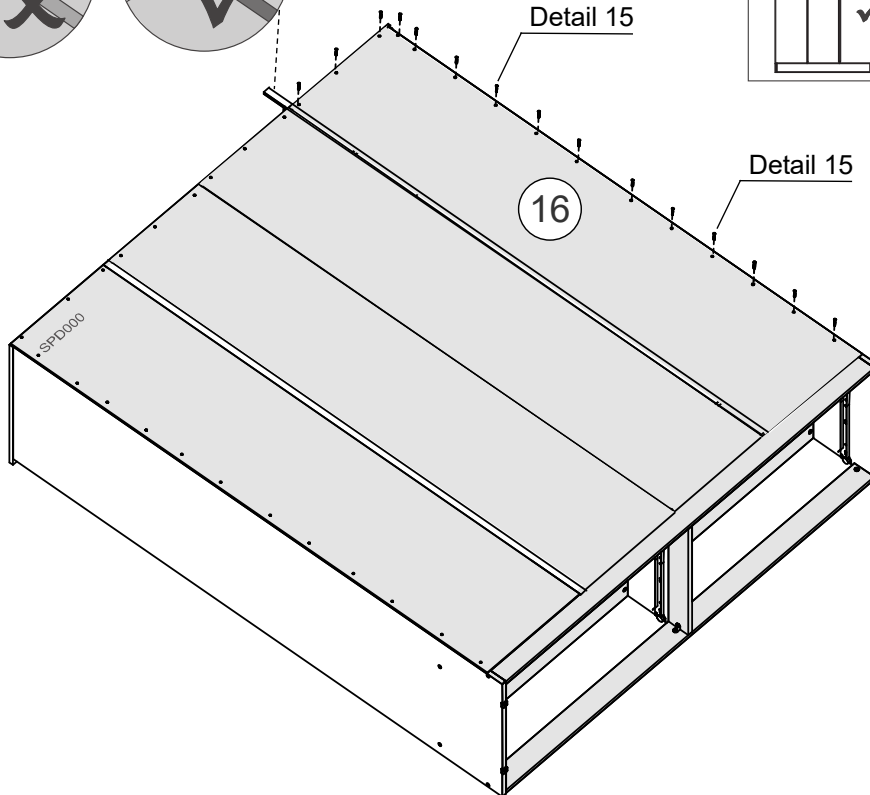
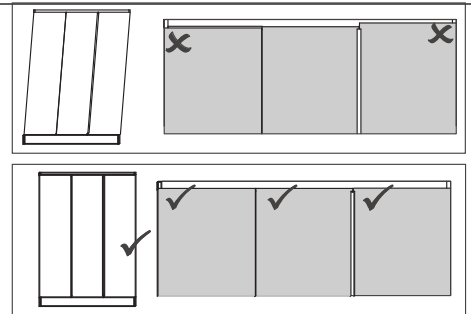
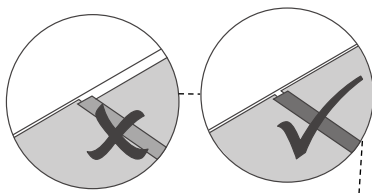
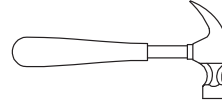
16 – BACK PANEL x1

HARDWARE REQUIRED

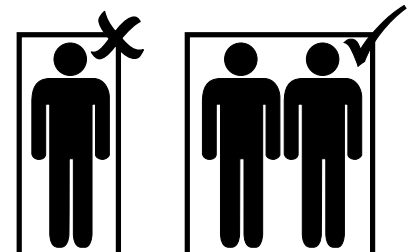
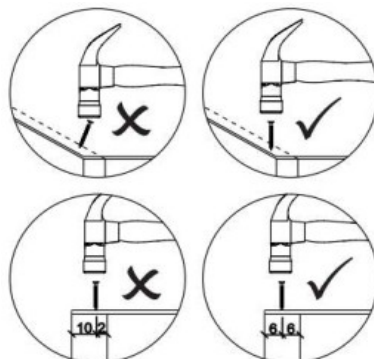
H  10 x 10 17

C1  01

TOOLS REQUIRED



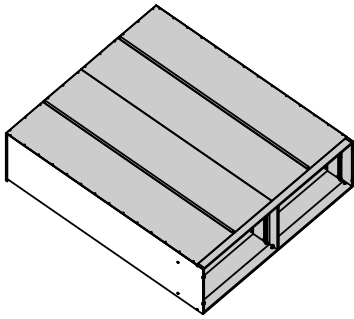
Detail 15





* You should assemble this product with two people

STEP 25

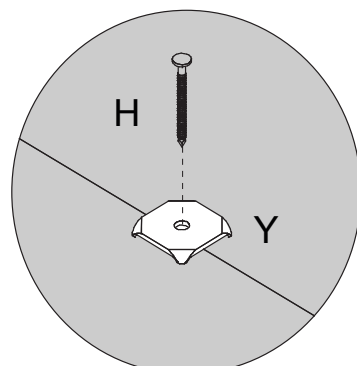
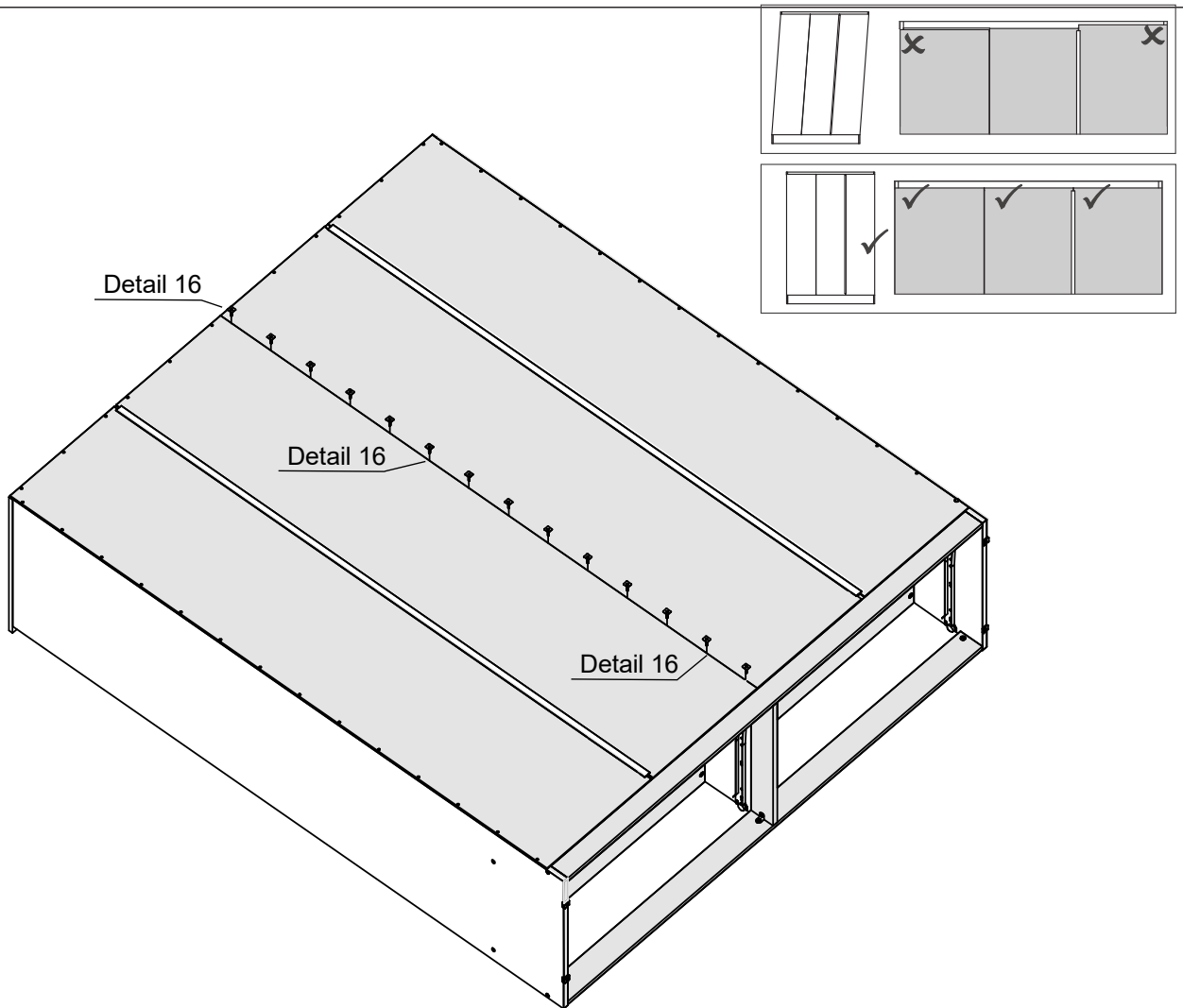
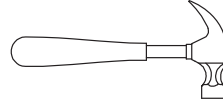
PARTS REQUIRED



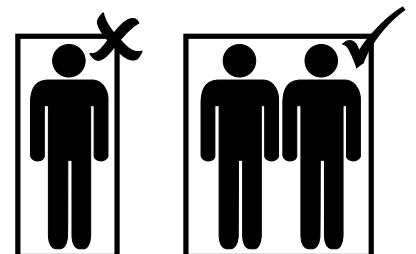
HARDWARE REQUIRED

H	 10 x 10	14
Y		14

TOOLS REQUIRED



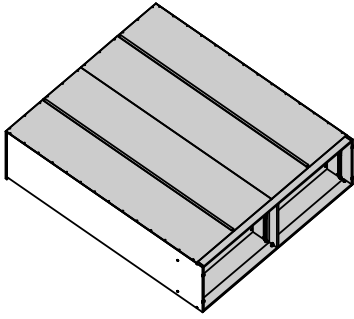
Detail 16




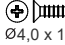
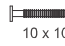
* You should assemble this product with two people

STEP 26

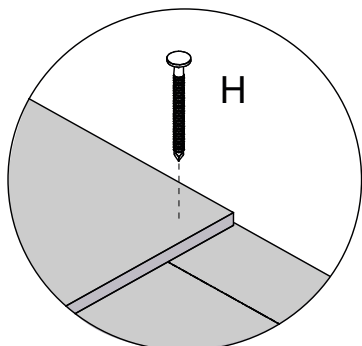
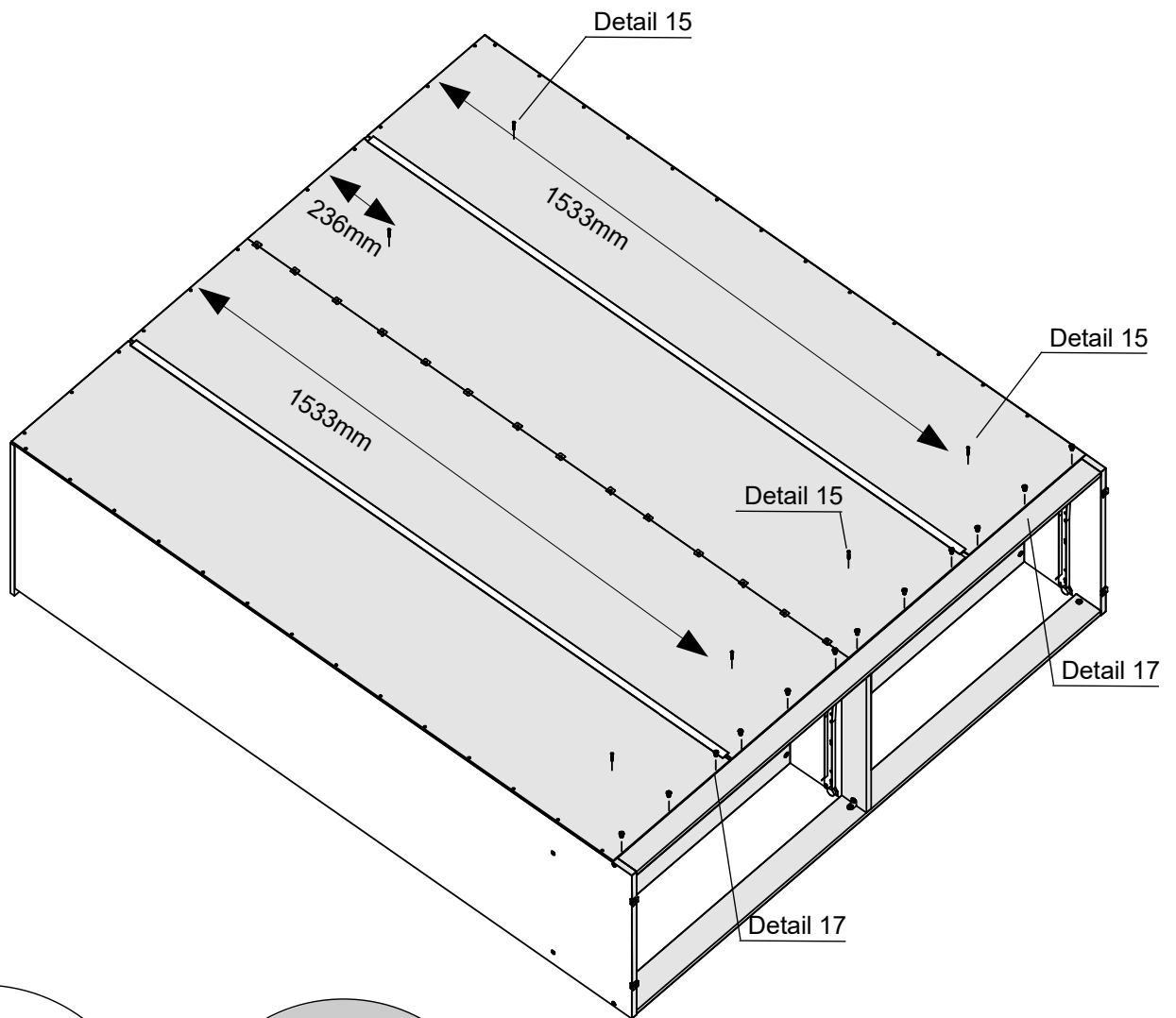
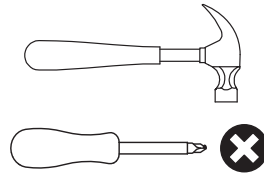
PARTS REQUIRED



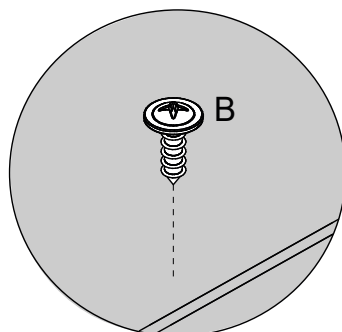
HARDWARE REQUIRED

B	 Ø4,0 x 14mm	12
E	 Ø4,0 x 12mm	01
H	 10 x 10	18

TOOLS REQUIRED



Detail 15



Detail 17

STEP 27

PARTS REQUIRED

11 – DRAWER SIDE x4

12 – DRAWER BACK PANEL x2

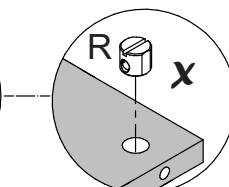
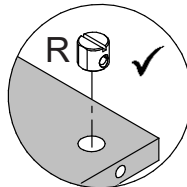
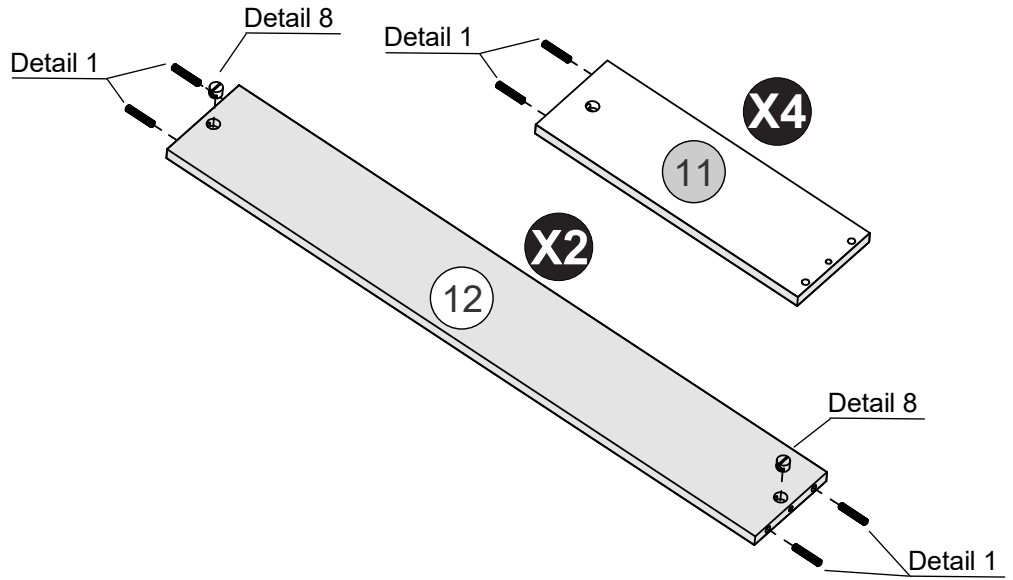
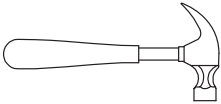
HARDWARE REQUIRED

G  16
Ø6,0 x 30mm

R  04
Cylindrical Nut 12x9mm

T  01
Glue

TOOLS REQUIRED



Detail 1

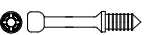
Detail 8

STEP 28

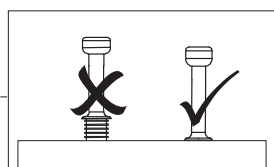
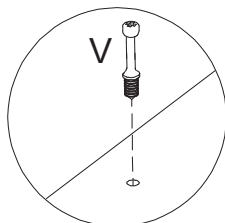
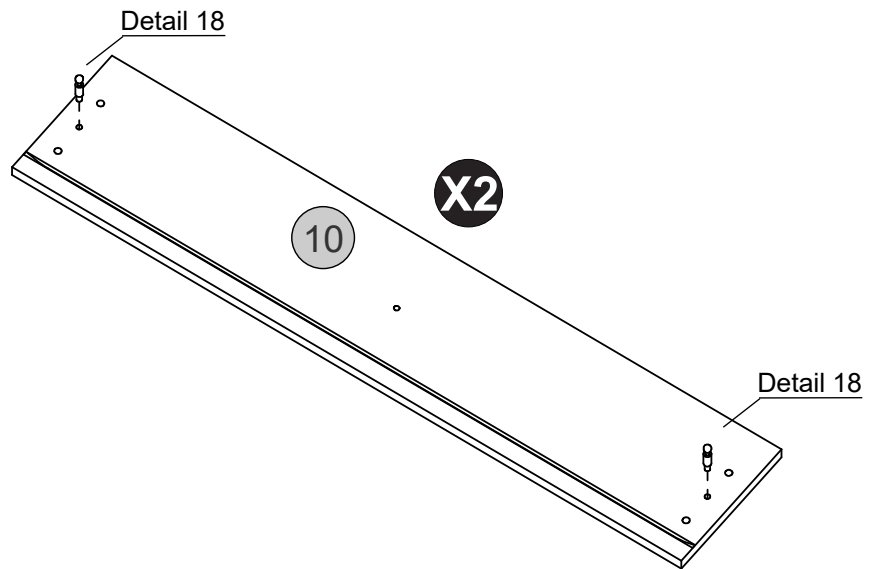
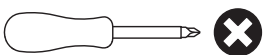
PARTS REQUIRED

10 – DRAWER FRONT x2

HARDWARE REQUIRED

V  04

TOOLS REQUIRED



Detail 18


STEP 29

PARTS REQUIRED

11 – DRAWER SIDE x4

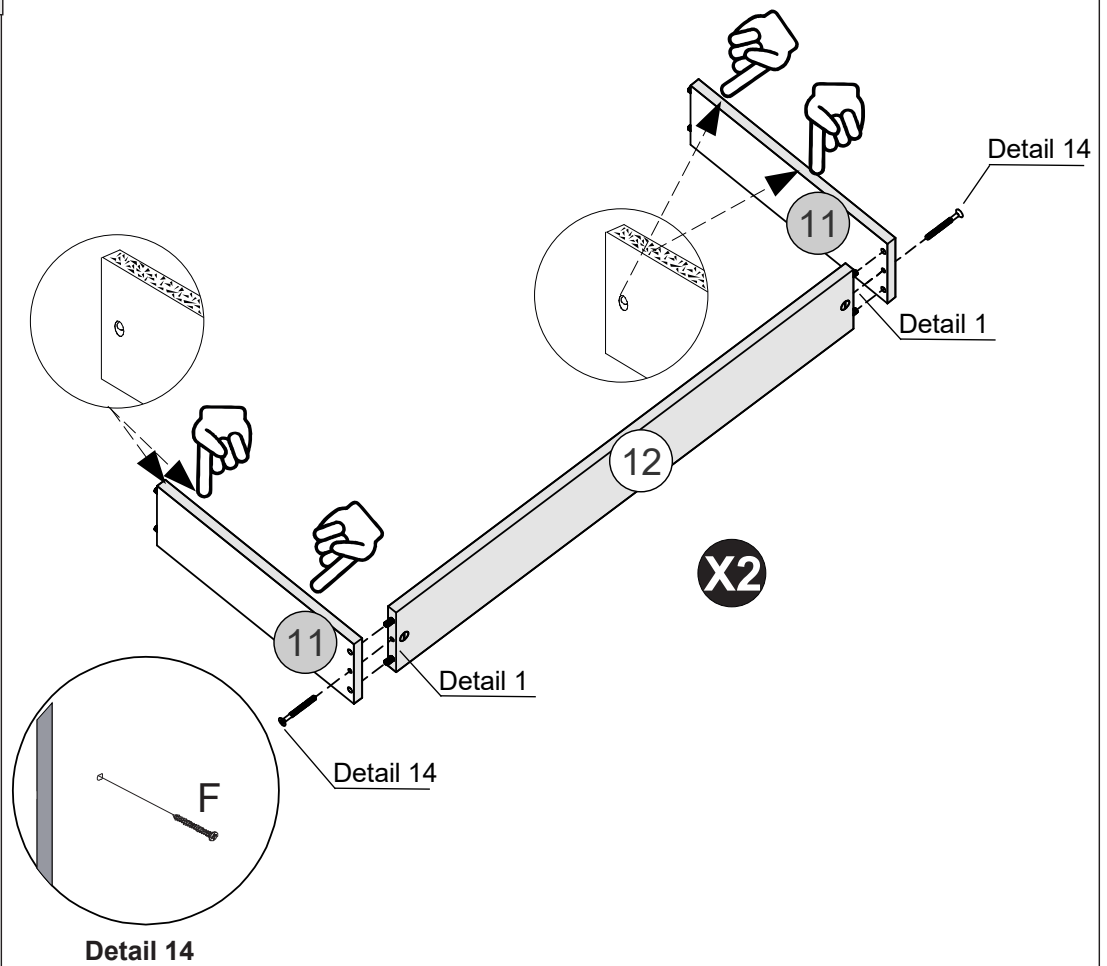
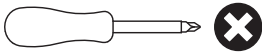
12 – DRAWER BACK PANEL x2

HARDWARE REQUIRED

F  04
Ø4,0 x 40mm

T  01

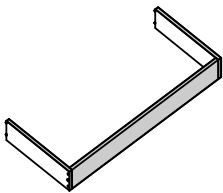
TOOLS REQUIRED



STEP 30

PARTS REQUIRED

10 – DRAWER FRONT x2

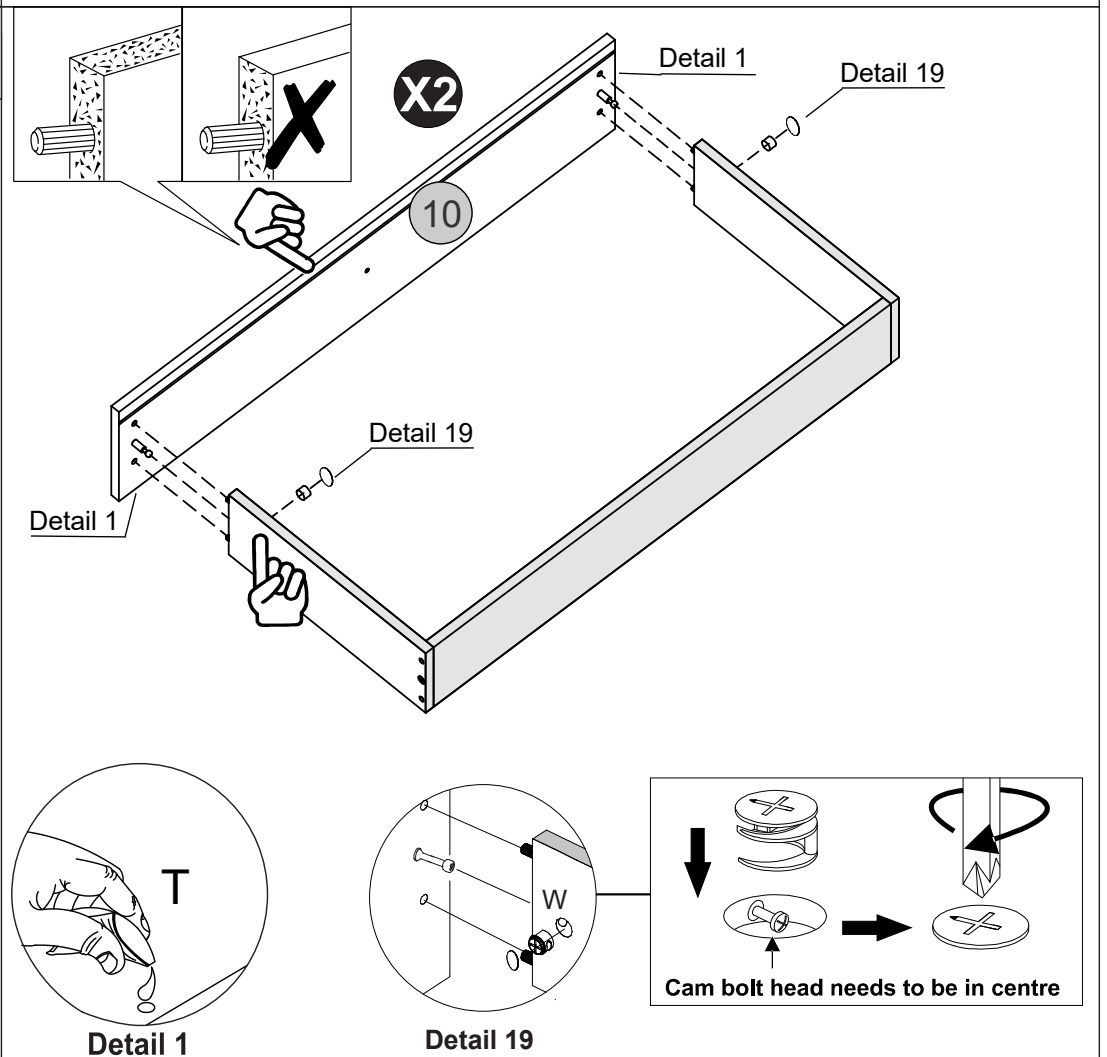
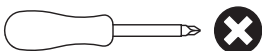


HARDWARE REQUIRED

W  04

F1  04
HOLE PLUGS LINEO

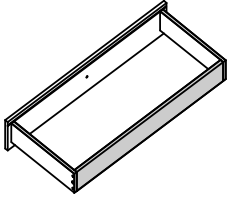
TOOLS REQUIRED



STEP 31

PARTS REQUIRED

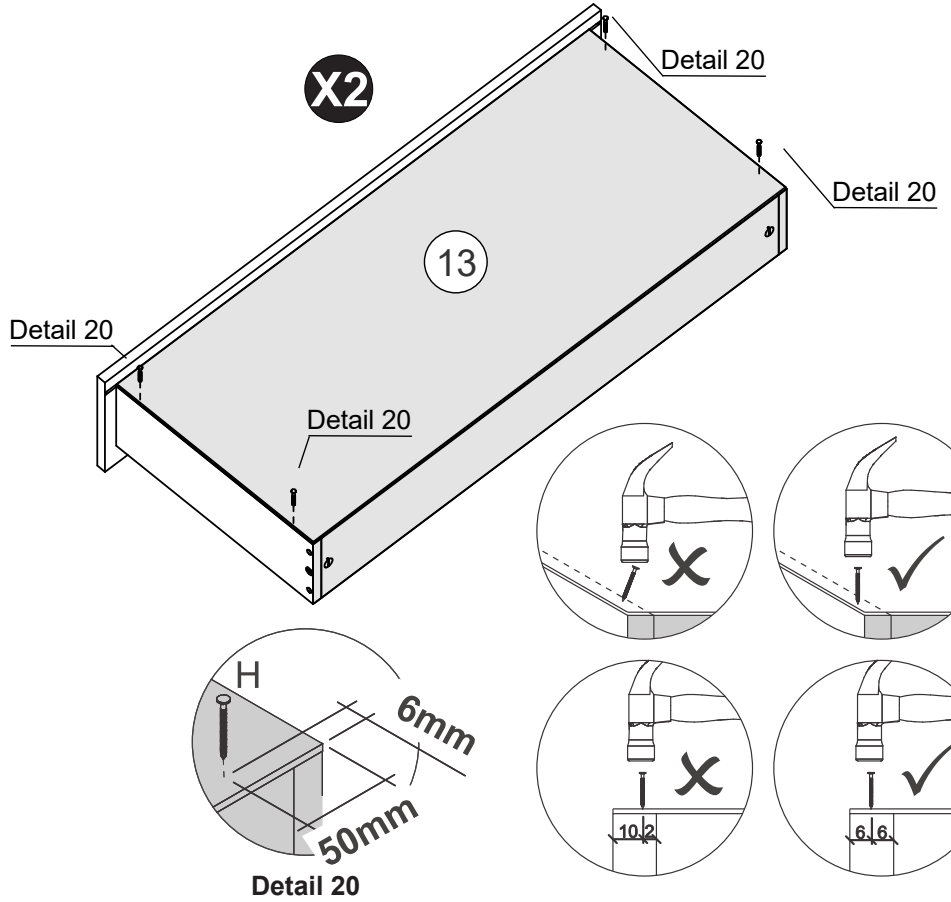
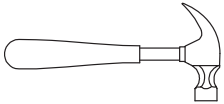
13 - DRAWER BOTTOM x1



HARDWARE REQUIRED

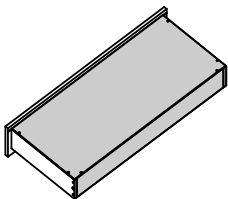
H  10 x 10 8

TOOLS REQUIRED




STEP 32

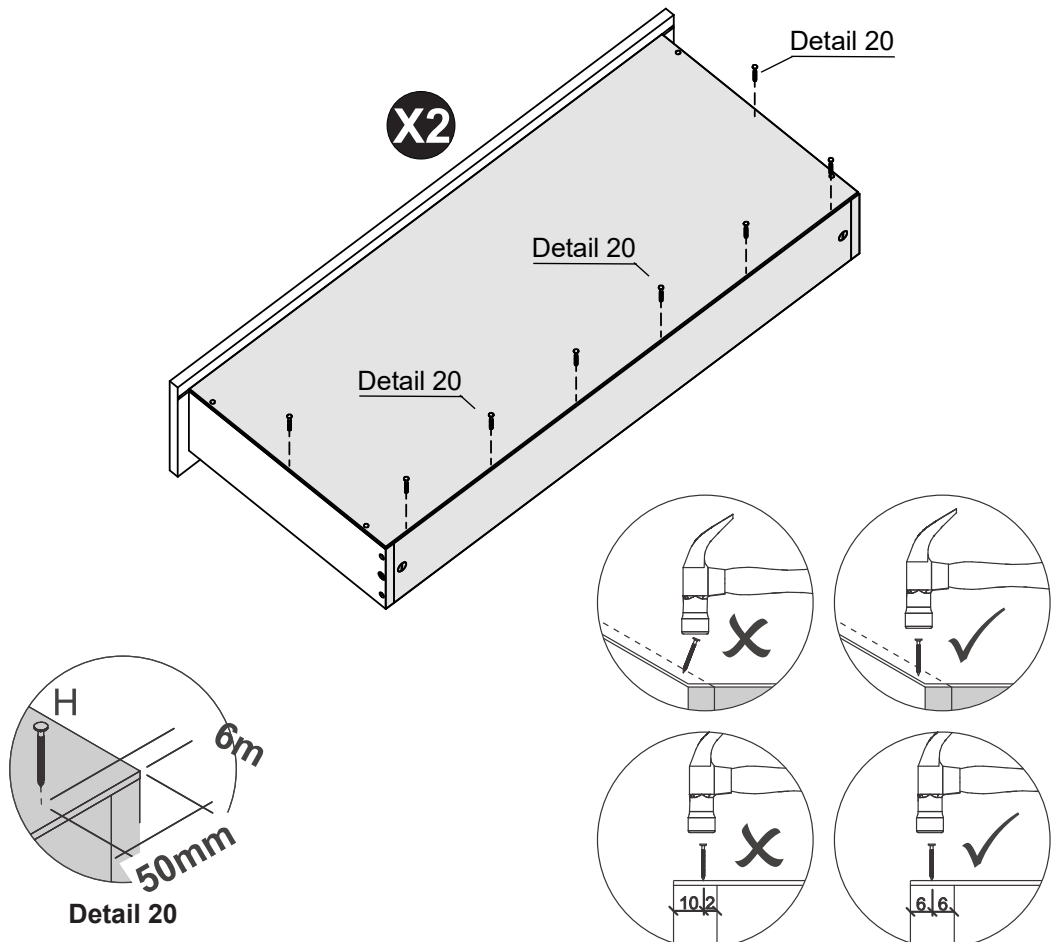
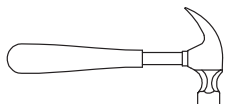
PARTS REQUIRED



HARDWARE REQUIRED

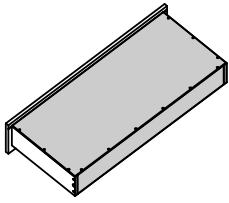
H  10 x 10 16

TOOLS REQUIRED

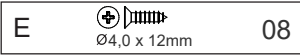


STEP 33

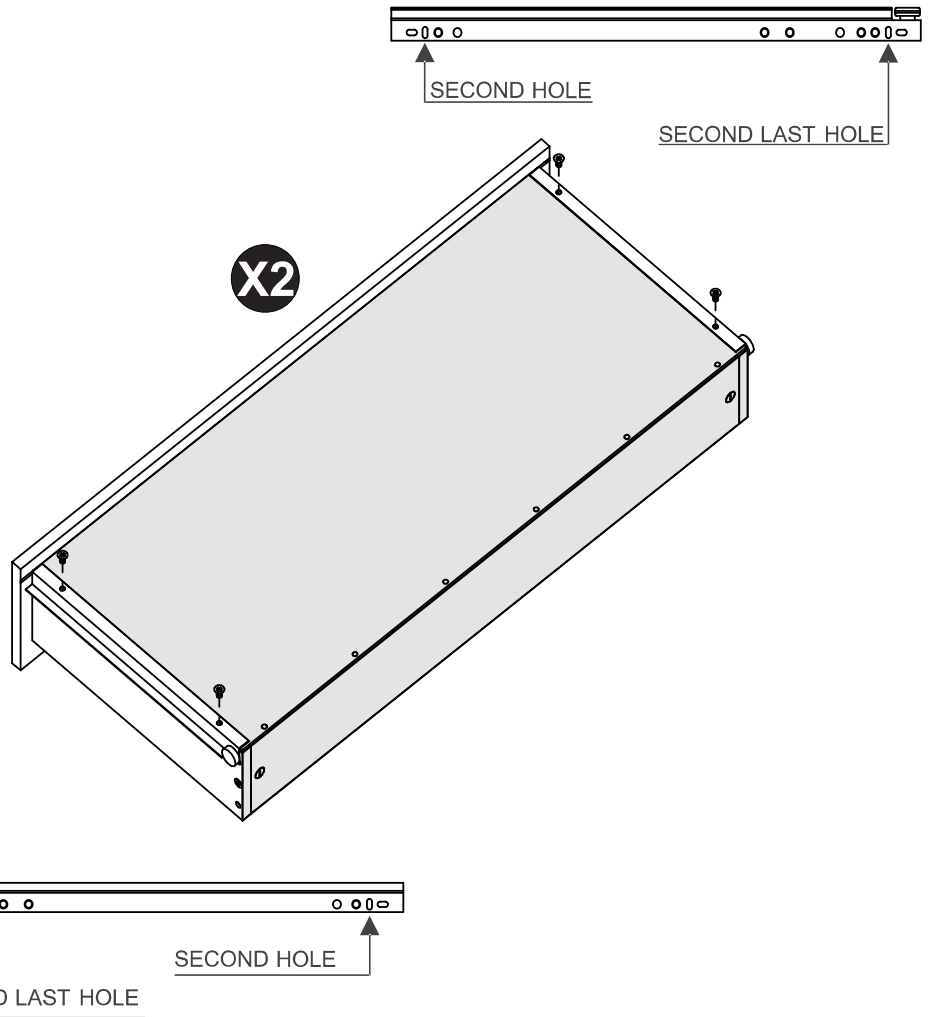
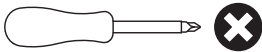
PARTS REQUIRED



HARDWARE REQUIRED

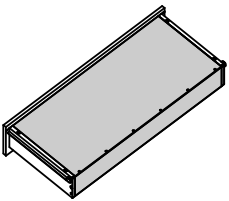


TOOLS REQUIRED



STEP 34

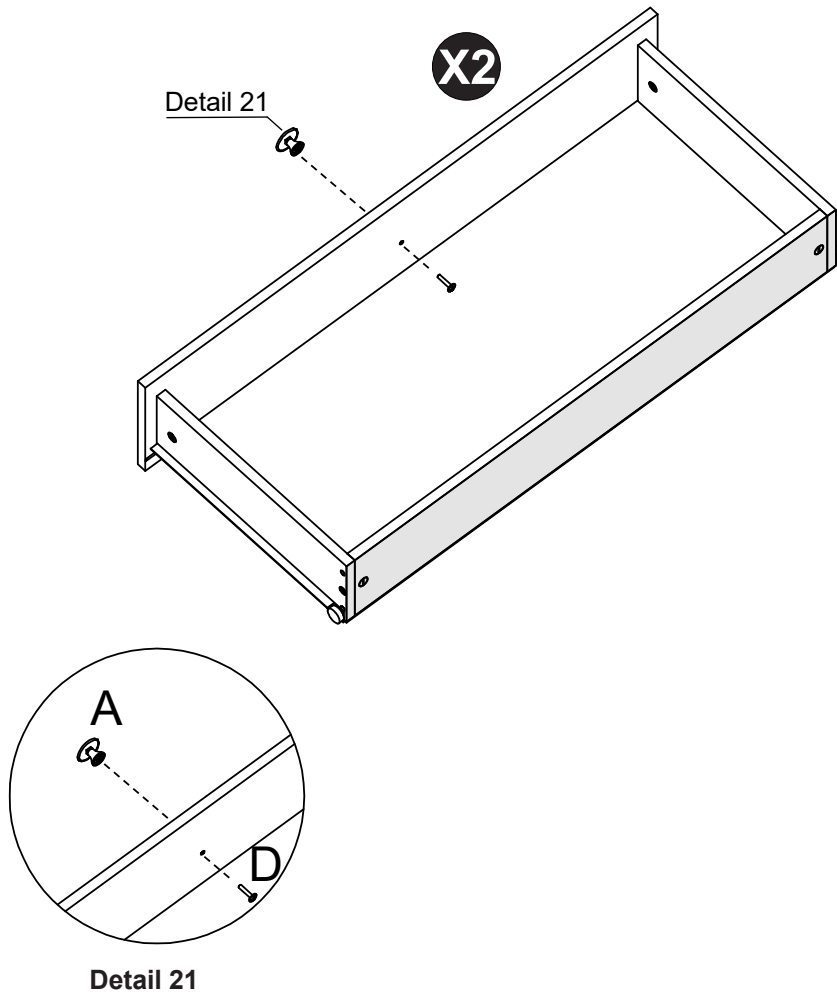
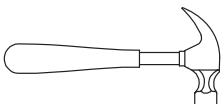
PARTS REQUIRED



HARDWARE REQUIRED



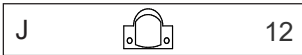
TOOLS REQUIRED



STEP 35

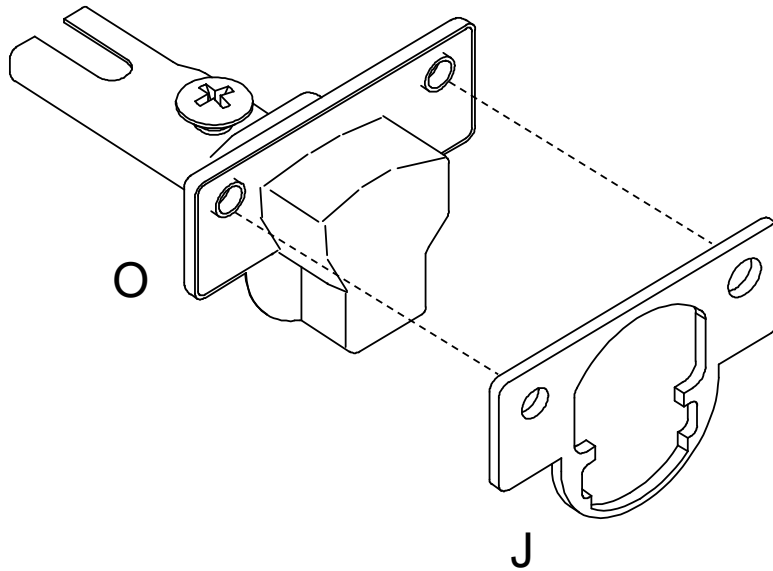
PARTS REQUIRED

HARDWARE REQUIRED



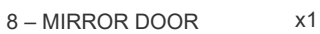
TOOLS REQUIRED

Fit the plastic wedge into the hinge wedge.

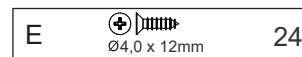


STEP 36

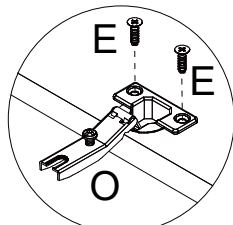
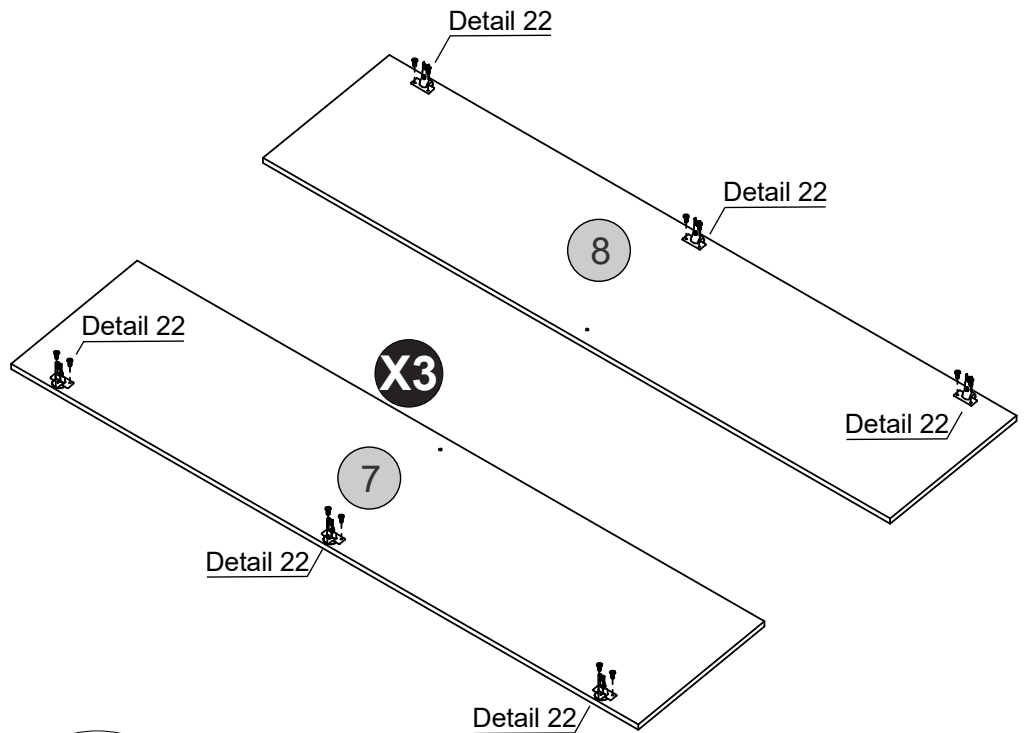
PARTS REQUIRED



HARDWARE REQUIRED



TOOLS REQUIRED



Detail 22

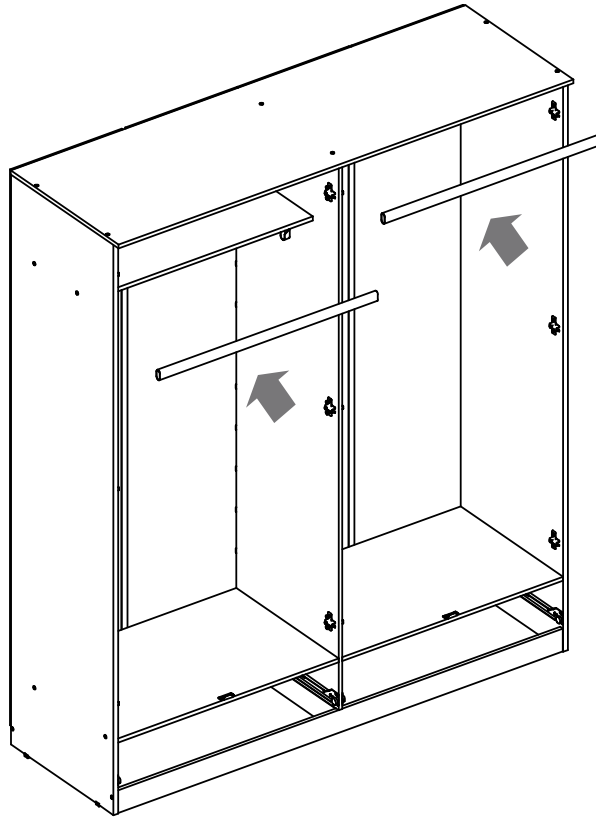
STEP 37

PARTS REQUIRED

HARDWARE REQUIRED

C		02
---	---	----

TOOLS REQUIRED



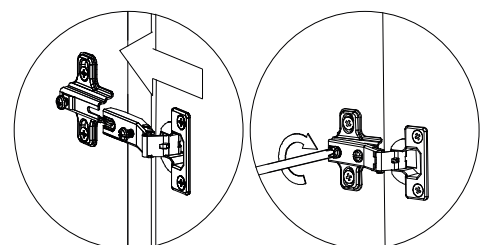
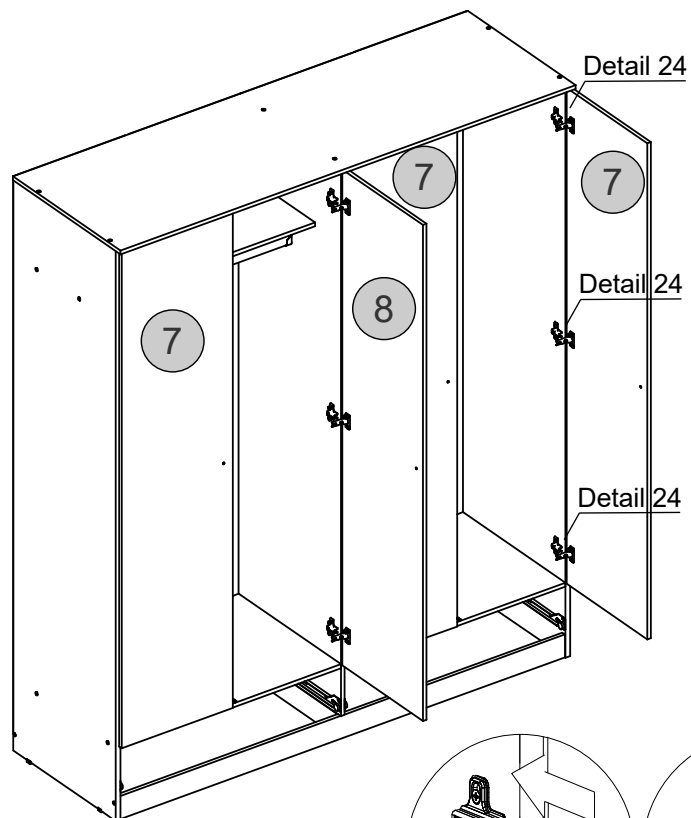
STEP 38

PARTS REQUIRED

7 - DOOR	x3
8 - MIRROR DOOR	x1

HARDWARE REQUIRED

TOOLS REQUIRED



Detail 24

STEP 39

PARTS REQUIRED


7 - DOOR x3


8 - MIRROR DOOR x1

HARDWARE REQUIRED

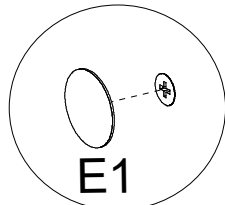
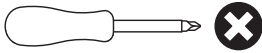
A  04

D  04

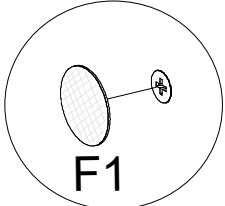
E1  10

F1  12

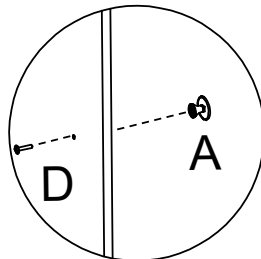
TOOLS REQUIRED



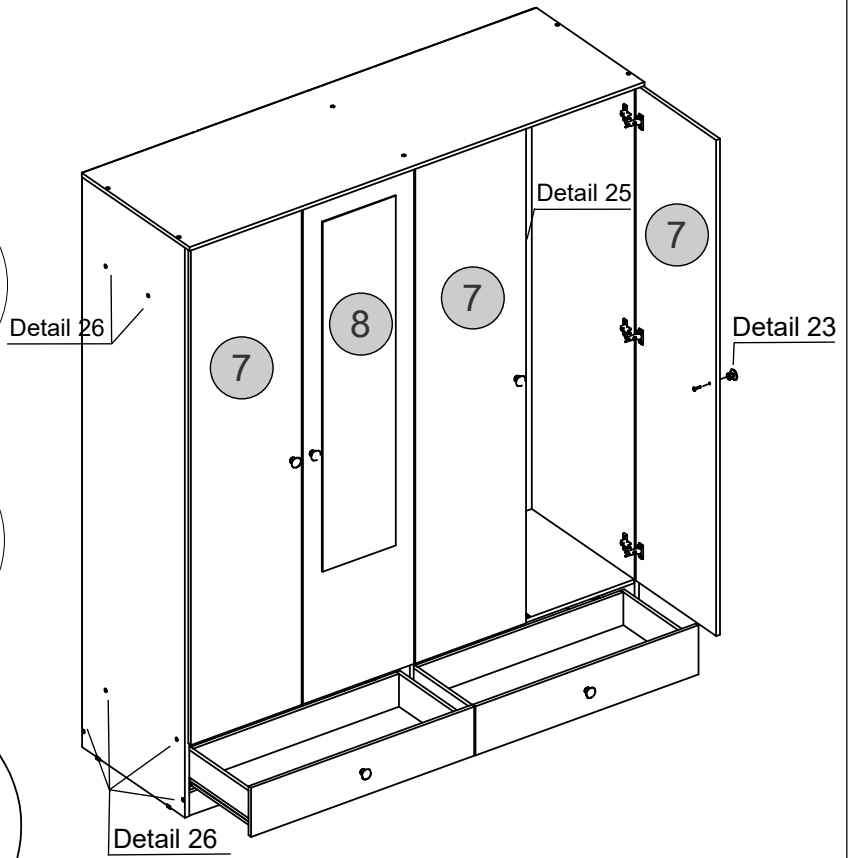
Detail 26



Detail 25



Detail 23



STEP 40

PARTS REQUIRED

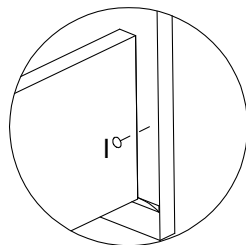
7 - DOOR x3

8 - MIRROR DOOR x1

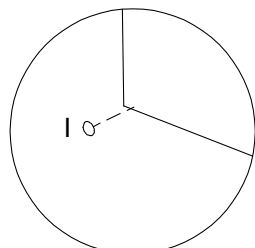
HARDWARE REQUIRED

I  08

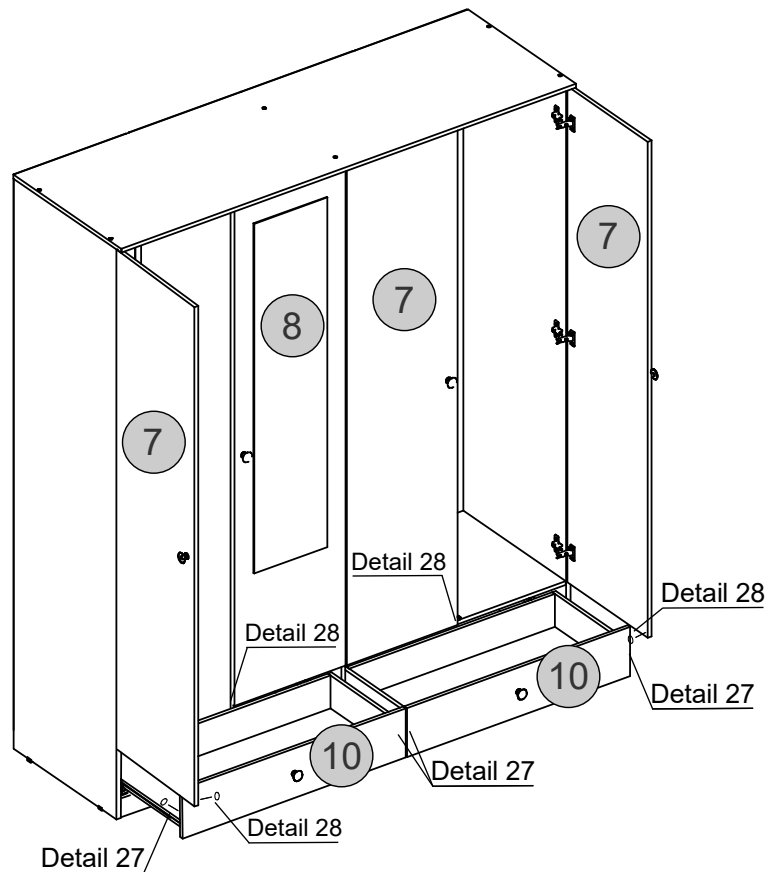
TOOLS REQUIRED



Detail 27

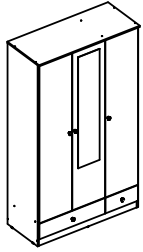


Detail 28

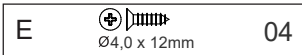


STEP 41

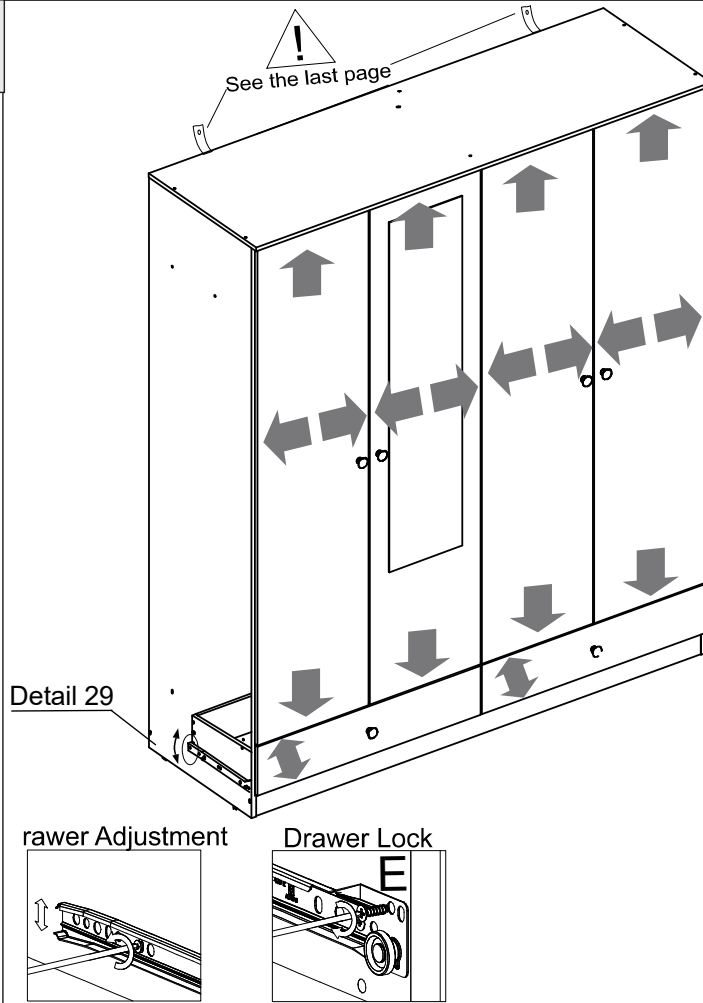
PARTS REQUIRED



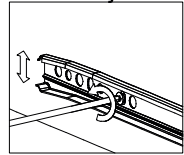
HARDWARE REQUIRED



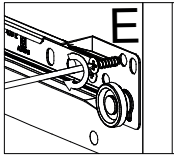
TOOLS REQUIRED



Drawer Adjustment

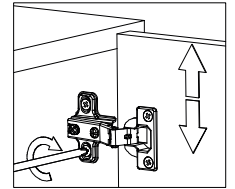


Drawer Lock

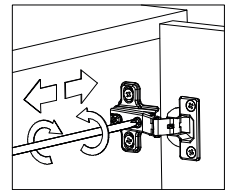


Detail 29

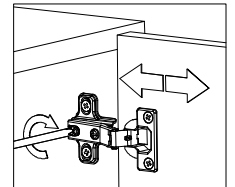
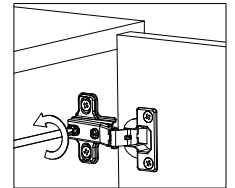
Height Adjustment



Internal Adjustment



Depth Adjustment

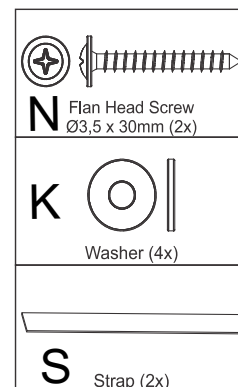
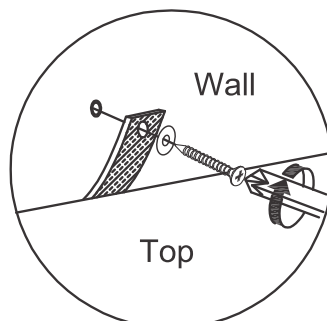
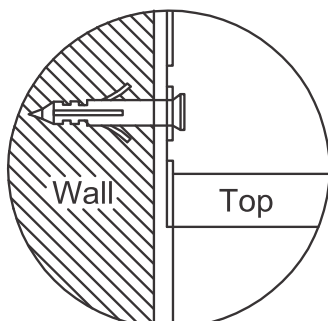
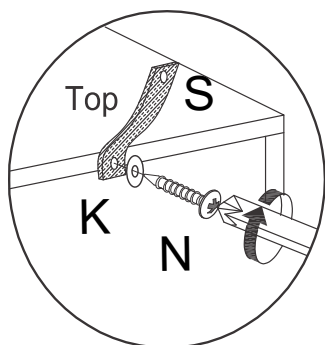


WARNING

Serious or fatal injuries can occur from furniture tipping over. To prevent the furniture from tipping over we recommend that it is permanently fixed to the wall.

Wall fixings are not supplied with this product as different wall materials require different types of fixing devices.

Please make sure you use fixings suitable for the walls in your home.



INFORMATIONS IMPORTANTES (FRENCH)

IMPORTANTE POUR USAGE DOMESTIQUE UNIQUEMENT VEUILLEZ LIRE AVANT DE CONTINUER

Après avoir déballé ce produit, veuillez conserver l'emballage d'origine au cas où il devrait être retourné pour une raison quelconque. Veuillez vous assurer que tous les accessoires et pièces sont présents avant de commencer l'assemblage.

Ne traînez ou ne poussez jamais les produits car cela pourrait endommager les joints et les rendre de qualité inférieure.

Nous vous recommandons fortement de garder les enfants éloignés de votre zone de travail.

Nous vous recommandons de poser une couverture ou un drap sur le sol pour éviter d'endommager à la fois votre sol et les produits.

Assemblez ce produit aussi près que possible de sa position finale.

Ne placez pas ce produit à côté d'un radiateur ou en plein soleil.

Ne traînez pas et ne poussez pas d'objets sur votre meuble brillant car cela pourrait rayer la surface.

Le bois est un produit naturel et peut se dilater s'il est exposé à l'humidité et peut rétrécir ou se fissurer s'il est exposé à la chaleur. Par conséquent, il est recommandé de maintenir la température ambiante, sans fluctuations brusques de température.

Assurez-vous que tout déversement est immédiatement essuyé.

Ne placez pas d'objets chauds ou froids directement sur la surface, utilisez un set de table ou des marques se produiront.

Pour le nettoyage général, utilisez un chiffon doux en coton ou en microfibre et n'utilisez aucun détergent.

De temps en temps, il peut être nécessaire de resserrer les raccords, des inspections régulières doivent être effectuées.

Ne placez pas l'appareil sur un sol mouillé ou humide, car des taches pourraient apparaître sur votre sol.

ADVERTENCIA (ANTI-BASCULEMENT)

Des blessures graves, voire mortelles, peuvent survenir en cas de basculement d'un meuble. Pour éviter que le meuble ne bascule, nous recommandons de le fixer de manière permanente au mur.

Les fixations murales ne sont pas fournies avec ce produit, car les différents matériaux de mur nécessitent différents types de dispositifs de fixation. Veuillez vous assurer d'utiliser des fixations adaptées aux murs de votre maison. Veuillez vous référer à la dernière page.

INFORMACIÓN IMPORTANTE (SPANISH)

IMPORTANTE SOLO PARA USO DOMÉSTICO LEER ANTES DE CONTINUAR

Después de desembalar este producto, conserve el embalaje original por si necesita devolverlo por cualquier motivo.

Asegúrese de que todos los accesorios y piezas estén presentes antes de comenzar con el montaje.

Nunca arrastre ni empuje los productos, ya que esto podría dañar las juntas y hacerlos de peor calidad.

Recomendamos encarecidamente que mantenga a los niños alejados de su área de trabajo.

Recomendamos que coloque una manta o sábana en el suelo para evitar dañar tanto el suelo como los productos.

Monte este producto lo más cerca posible de su posición final.

No coloque este producto junto a un radiador o bajo la luz solar directa.

No arrastre ni empuje elementos sobre sus muebles de alto brillo, ya que esto puede hacer que la superficie se raye.

La madera es un producto natural y puede expandirse si se expone a la humedad y puede encogerse o agrietarse si se expone al calor. Por lo tanto, se recomienda mantener la temperatura ambiente, sin fluctuaciones repentinas de temperatura.

Asegúrese de limpiar cualquier derrame de inmediato.

No coloque elementos calientes o fríos directamente sobre la superficie, utilice un mantel individual o se producirán marcas.

Para la limpieza general, utilice un paño suave de algodón o microfibras y no utilice detergentes de ningún tipo.

De vez en cuando puede ser necesario apretar los accesorios; se deben realizar inspecciones periódicas.

No lo coloque sobre un suelo húmedo o mojado, ya que podría mancharlo.

ADVERTENCIA (ANTI-VUELCO)

El vuelco de los muebles puede provocar lesiones graves o fatales. Para evitar que los muebles se vuelquen, recomendamos fijarlos permanentemente a la pared.

Este producto no incluye fijaciones de pared, ya que los distintos materiales de pared requieren distintos tipos de dispositivos de fijación. Asegúrese de utilizar fijaciones adecuadas para las paredes de su hogar. Veuillez vous référer à la dernière page.

WICHTIGE INFORMATIONEN (GERMAN)

WICHTIG FÜR DEN HAUSHALTSGEBRAUCH BITTE LESEN SIE, BEVOR SIE FORTFAHREN

Bewahren Sie nach dem Auspacken dieses Produkts die Originalverpackung auf, falls es aus irgendeinem Grund zurückgegeben werden muss. Bitte stellen Sie sicher, dass alle Beschläge und Teile vorhanden sind, bevor Sie mit der Montage beginnen.

Ziehen oder schieben Sie Produkte niemals, da dies zu Schäden an den Verbindungen führen und die Qualität beeinträchtigen könnte.

Wir empfehlen dringend, Kinder von Ihrem Arbeitsbereich fernzuhalten.

Wir empfehlen, eine Decke oder ein Laken auf den Boden zu legen, um Schäden an Ihrem Boden und den Produkten zu vermeiden.

Montieren Sie dieses Produkt so nah wie möglich an seiner endgültigen Position. Stellen Sie dieses Produkt nicht neben eine Heizung oder in direktes Sonnenlicht. Ziehen oder schieben Sie keine Gegenstände über Ihre Hochglanzmöbel, da dies zu Kratzern auf der Oberfläche führen kann. Holz ist ein Naturprodukt und kann sich bei Feuchtigkeit ausdehnen und bei Hitze schrumpfen oder reißen. Daher wird empfohlen, die Raumtemperatur beizubehalten und plötzliche Temperaturschwankungen zu vermeiden.

Stellen Sie sicher, dass verschüttete Flüssigkeiten sofort abgewischt werden.

Stellen Sie keine heißen oder gekühlten Gegenstände direkt auf die Oberfläche. Verwenden Sie ein Platzdeckchen, da sonst Flecken entstehen.

Verwenden Sie zur allgemeinen Reinigung ein weiches Baumwoll- oder Mikrofaser Tuch und keinerlei Reinigungsmittel.

Von Zeit zu Zeit kann es erforderlich sein, die Armaturen nachzuziehen. Regelmäßige Inspektionen sollten durchgeführt werden.

Stellen Sie das Gerät nicht auf einen nassen oder feuchten Boden, da es sonst zu Flecken kommen kann.

WARNUNG (KIPPSCHUTZ)

Durch das Umkippen von Möbeln können schwere oder tödliche Verletzungen entstehen. Um ein Umkippen der Möbel zu verhindern, empfehlen wir, diese dauerhaft an der Wand zu befestigen. Wandbefestigungen werden nicht mit diesem Produkt mitgeliefert, da unterschiedliche Wandmaterialien unterschiedliche Arten von Befestigungsvorrichtungen erfordern. Bitte stellen Sie sicher, dass Sie Befestigungsvorrichtungen verwenden, die für die Wände in Ihrem Zuhause geeignet sind. Bitte beachten Sie die letzte Seite.

INFORMAZIONI IMPORTANTI (ITALIAN)

IMPORTANTE, SOLO PER USO DOMESTICO SI PREGA DI LEGGERE PRIMA DI CONTINUARE OLTRE

Dopo aver disimballato questo prodotto, conservare la confezione originale nel caso in cui debba essere restituito per qualsiasi motivo. Assicurarsi che tutti i raccordi e le parti siano presenti prima di iniziare il montaggio.

Non trascinare o spingere mai i prodotti poiché ciò potrebbe danneggiare i giunti rendendoli di qualità inferiore.

Si consiglia vivamente di tenere i bambini lontani dall'area di lavoro.

Si consiglia di stendere una coperta o un lenzuolo sul pavimento per evitare danni sia al pavimento che ai prodotti.

Montare questi prodotti il più vicino possibile alla loro posizione finale.

Non posizionare questo prodotto accanto a un radiatore o alla luce diretta del sole.

Non trascinare o spingere oggetti sui mobili lucidi poiché ciò potrebbe causare graffi sulla superficie.

Il legno è un prodotto naturale e può espandersi se esposto all'umidità e può restringersi o rompersi se esposto al calore. Pertanto si consiglia di mantenere la temperatura ambiente, senza improvvise fluttuazioni di temperatura.

Assicurarsi che eventuali fuoriuscite vengano immediatamente pulite.

Non posizionare oggetti caldi o freddi direttamente sulla superficie, utilizzare un sottopiatto o si verificheranno delle marcature. Per la pulizia generale, utilizzare un panno morbido di cotone o microfibras e non utilizzare detergenti di alcun tipo.

Di tanto in tanto potrebbe essere necessario stringere i raccordi, è necessario effettuare ispezioni regolari.

Non posizionare su un pavimento bagnato o umido poiché potrebbero verificarsi macchie sul pavimento.

AVVERTIMENTO (ANTIRIBALTAMENTO)

Il ribaltamento dei mobili può provocare lesioni gravi e mortali. A evitare che i mobili si ribaltino, si consiglia di farlo fissato permanentemente al muro.

I fissaggi a parete non sono forniti con questo prodotto in quanto parete diversa i materiali richiedono diversi tipi di dispositivi di fissaggio. Per favore, fallo assicurati di utilizzare fissaggi adatti alle pareti della tua casa. Si prega di fare riferimento all'ultima pagina.