

BLANCO SUBLINE 350/350-U

Item No. BL450889

Pros



The designer line for undermount installation in SILGRANIT® PuraDur® II

- Maximum bowl size provided by the very best in production and mounting technology
- Mounting involves no additional expense
- Undermount bowl for discerning demands on design
- Timelessly elegant, contoured bowl design
- Entire system for a wide variety of plans featuring large and small bowls
- Elegant and hygienic: the covered C-overflow®
- Optional accessories



Colours



Available colours



white



tartufo



jasmine



coffee

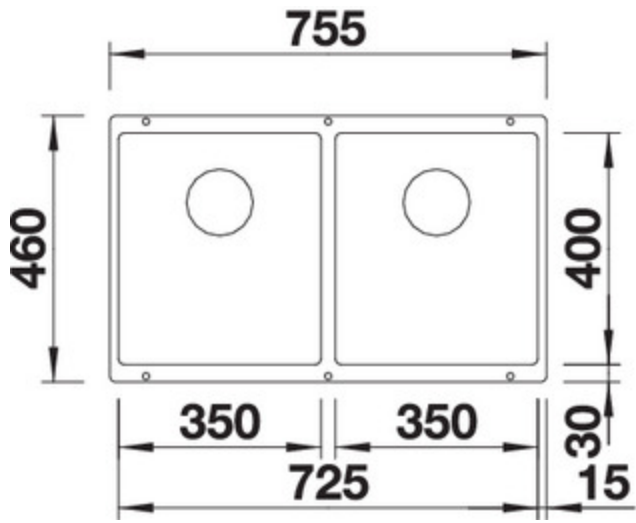


champagne

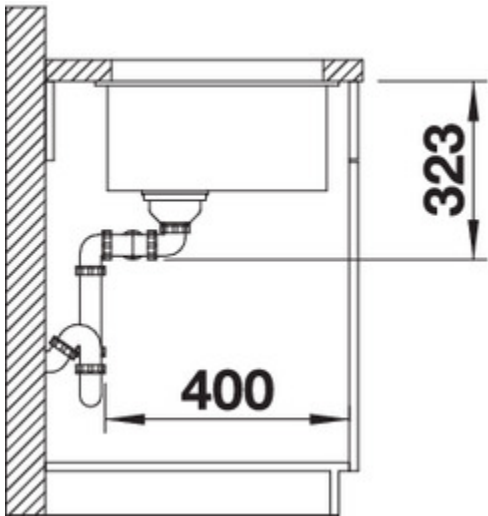
SILGRANIT® PuraDur®

Item No. BL450889

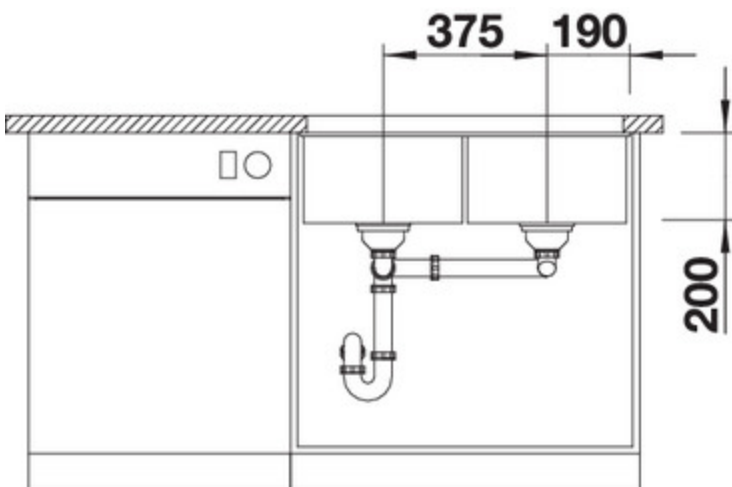
Details



Top View



Side View



Front View

Scope of supply

two 3 1/2" basket strainers, pop-up waste for main bowl (drilling Ø 14 mm required), fixing kit 218 269 included

Design tips

Cabinet Width: 80 cm
Bowl depth: 200 mm / 200 mm
Cut out size: 725 x 400 x R10

Universal handing
Cut out information supplied with bowls.
Cut out CNC files also available on www.blanco.co.uk for download.

Taps



BLANCO LINEE-S
jasmin / chrome
BM2200JA



BLANCO OPERA
chrome
BM6000CH

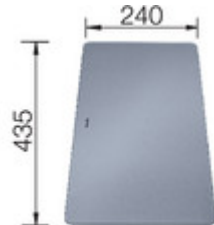


BLANCO CULINA-S Mini
chrome
BM4600CH

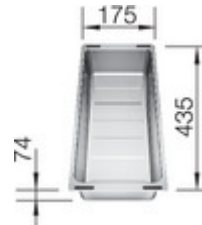
Optional Accessories



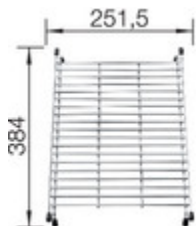
Chopping board
BL230700



Cutting board
BL227697



Colander
BL227689



Floating grid
BL233542



Colander
BL223297



Outlet cover CapFlow®
BL517666

BLANCO UK Limited

Tel: 01923 635200

Fax: 0800 0911608

➤ www.blanco.co.uk