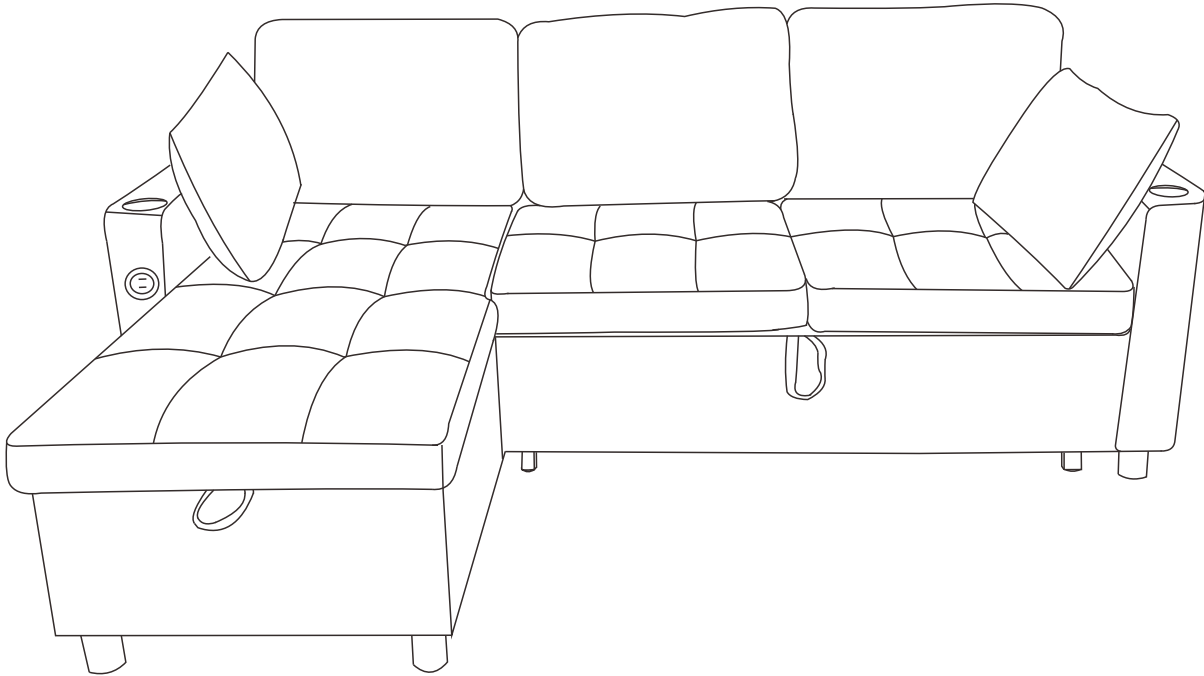


ASSEMBLY INSTRUCTIONS SS13137

- Sectional Sleeper Sofa -



Attention

The entire set is shipped in **THREE packages (Box A & B & C)** the transportation process, they might arrive at different times. If you haven't received the second package

within **2 days** after the first one arrives, please reach out to us. No worries, we'll investigate the issue and get back to you within 24 hours.

1. When installing the product, we recommend having two people work together to provide assistance and make the installation process easier.
2. When tightening the screws, we recommend aligning all the screws first and tightening them halfway, and then finally tightening them all the way after all the screws are aligned.
3. Exercise caution when using a knife to unpack, to avoid unnecessary scratches on the product surface.
4. The seat cushions and backrests have been vacuum-compressed. Allow them to sit for a while or gently pat them after unpacking to restore their fullness.
5. We value your experience, so if you encounter any issues related to delivery, assembly, usage, or post-purchase service, please contact us promptly. We offer a one-year warranty and lifelong customer service for our products.
6. Keep your children away until the installation is complete. This product contains small parts (such as screw accessories, etc.) that could pose a choking hazard. Please prioritize safety.

Before install it, please see these attentions

FAQ

Q1:Missing pillows and screws.

A1:The pillows and screws are placed in the cloth bags on the inside of the handrails on both sides - **Part [J & K]**.

Please open the cloth of the these parts and take out all the accessories.

If you still can't find these accessories, please check the parts list and tell us the numbers of missing parts.We will offer good solutions for you asap.

Q2:The frame base and screw can't be installed or the hole position is not, which makes it impossible to install or difficult to install.

A2:Please insert all screws into holes first, don't tighten them until they are all aligned. If you still can't assemble it, kindly send some pictures or video to us for help.

Q3: Do not know how to use the parts D-R and D-L to connect the panel.

A3: Regarding this part of the connection, you need to start by screwing the screws into the screw holes of the panel, but be careful not to tighten them all the way, we need to snap in the extra screws into the D-L and D-R parts, and tighten the screws all the way at the end after they are fully seated.




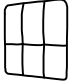
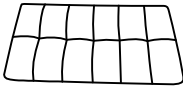


Q4: Some parts were damaged when arrived,such as Part Z or Part a.

A4: Please send clear photos of damaged parts to us as attachment via message, we will check and offer the best solution for you asap pls don't worry.

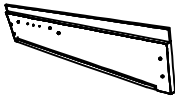



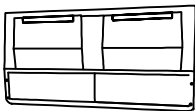

Q5: Are there multiple permutations?

A5 Yes. This combination sofa of ours can be either left L-type or right L-type, which totally depends on the specific scenario of the customer's placement. Generally most of the selected installations are right L-type (when you sit down, the long sofa bed is on your right side, we call it right L-type), but you can choose according to your own preferences, if you have any questions, you are welcome to contact us in time.




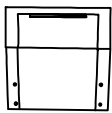


Parts List-A

<div style="border: 1px solid black; padding: 2px; display: inline-block;">a</div> x10 <div style="text-align: center; margin: 10px 0;">  </div> <p style="text-align: center;">2 seater slat</p>	<div style="border: 1px solid black; padding: 2px; display: inline-block;">f</div> x1 <div style="text-align: center; margin: 10px 0;">  </div> <p style="text-align: center;">Back cushions</p>	<div style="border: 1px solid black; padding: 2px; display: inline-block;">T</div> <div style="text-align: center; margin: 10px 0;">  </div> <p style="text-align: center;">Pull out bed seat frame</p>
<div style="border: 1px solid black; padding: 2px; display: inline-block;">c</div> x2 <div style="text-align: center; margin: 10px 0;">  </div> <p style="text-align: center;">2-seater seat cushions</p>	<div style="border: 1px solid black; padding: 2px; display: inline-block;">d</div> <div style="text-align: center; margin: 10px 0;">  </div> <p style="text-align: center;">Pullout bed seat cushion</p>	<div style="border: 1px solid black; padding: 2px; display: inline-block;">b</div> <div style="text-align: center; margin: 10px 0;">  </div> <p style="text-align: center;">Chaise seat cushion</p>
<div style="border: 1px solid black; padding: 2px; display: inline-block;">U</div> <div style="text-align: center; margin: 10px 0;">  </div> <p style="text-align: center;">Pullout bed front board</p>		

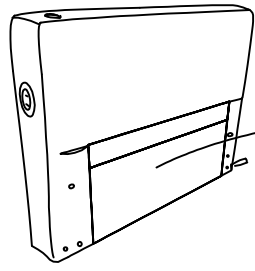
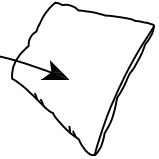
Parts List-B

<div style="border: 1px solid black; padding: 2px; display: inline-block;">A</div> <div style="text-align: center; margin: 10px 0;">  </div> <p style="text-align: center;">Chaise left side board</p>	<div style="border: 1px solid black; padding: 2px; display: inline-block;">M</div> <div style="text-align: center; margin: 10px 0;">  </div> <p style="text-align: center;">Chaise seat board</p>	<div style="border: 1px solid black; padding: 2px; display: inline-block;">N</div> <div style="text-align: center; margin: 10px 0;">  </div> <p style="text-align: center;">Chaise seat frame</p>
<div style="border: 1px solid black; padding: 2px; display: inline-block;">R</div> <div style="text-align: center; margin: 10px 0;">  </div> <p style="text-align: center;">Connect road of 2 seater</p>	<div style="border: 1px solid black; padding: 2px; display: inline-block;">S</div> <div style="text-align: center; margin: 10px 0;">  </div> <p style="text-align: center;">2-seater backrest</p>	<div style="border: 1px solid black; padding: 2px; display: inline-block;">B</div> <div style="text-align: center; margin: 10px 0;">  </div> <p style="text-align: center;">Chaise right side board</p>

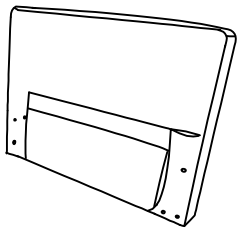

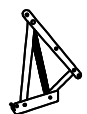


Parts List-C






<p>e x2</p>  <p>Armrest pillow</p>	<p>f x2</p>  <p>Back cushions</p>	<p>C</p>  <p>Chaise front board</p>	<p>L</p>  <p>Chaise backrest</p>
<p>Z x9</p>  <p>Chaise slat</p>	<p>a-1 x9</p>  <p>pullout bed slat</p>		





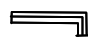
* Please take part e from the right armrest(part #K).




<p>K-R</p>  <p>Right Armrest</p>	<p>e x2</p>  <p>Armrest pillows</p>
--	---

* Please take parts O-R*1, O-L*1; D-R*3, D-L *3; I*6; P*1; X*1, Y *1, Q*1; Screw Pack*1 from the pocket in the left armrest(Part #J).

<p>J</p>  <p>Left Armrest</p>	<p>O-R</p>  <p>Right spring hinge</p>	<p>O-L</p>  <p>Left spring hinge</p>
	<p>P</p>  <p>USB charger</p>	<p>E x41</p> <p style="text-align: right;">M6x20mm</p>  <p>Screws</p>

<p>H x2</p>  <p>Washer</p>	<p>g</p>  <p>Screws M8x20mm</p>	<p>D-R x3</p>  <p>Right connect metal</p>	<p>D-L x3</p>  <p>Left connect metal</p>	<p>G x2</p>  <p>Screws M6x55mm</p>
--	---	---	--	--

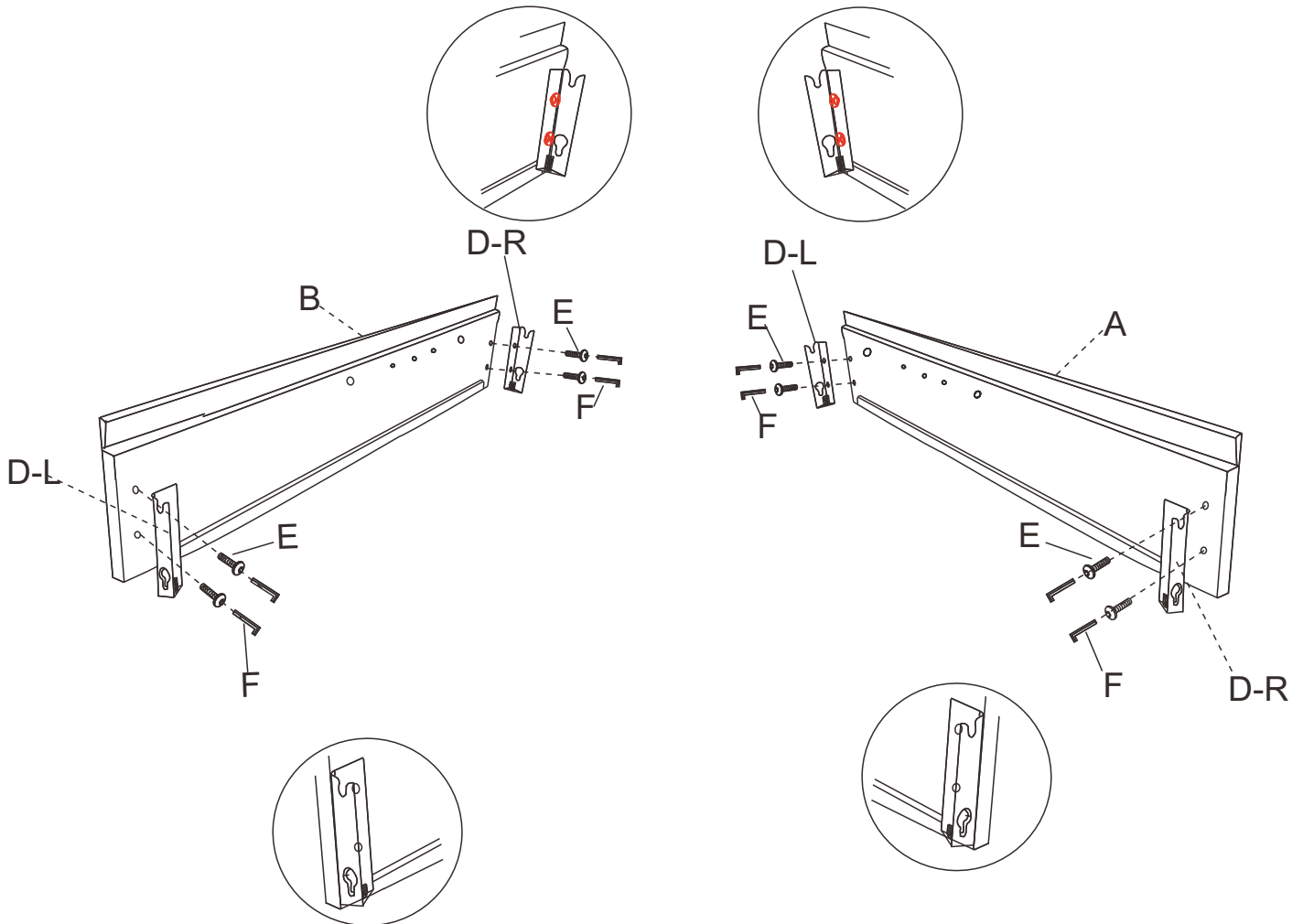
<p>Q x2</p>  <p>Limiting Stopper</p>	<p>Y</p>  <p>Pull belt</p>	<p>W x6</p>  <p>Screws M6x40mm</p>	<p>X</p>  <p>Pull belt</p>	<p>F</p>  <p>Allen Key</p>
--	--	--	---	--

<p>I x6</p>  <p>Legs</p>	<p>f</p>  <p>Allen Key</p>	<p>K x28</p>  <p>Screws M6x30mm</p>
--	--	---

Single Person Sofa Bed

STEP 1

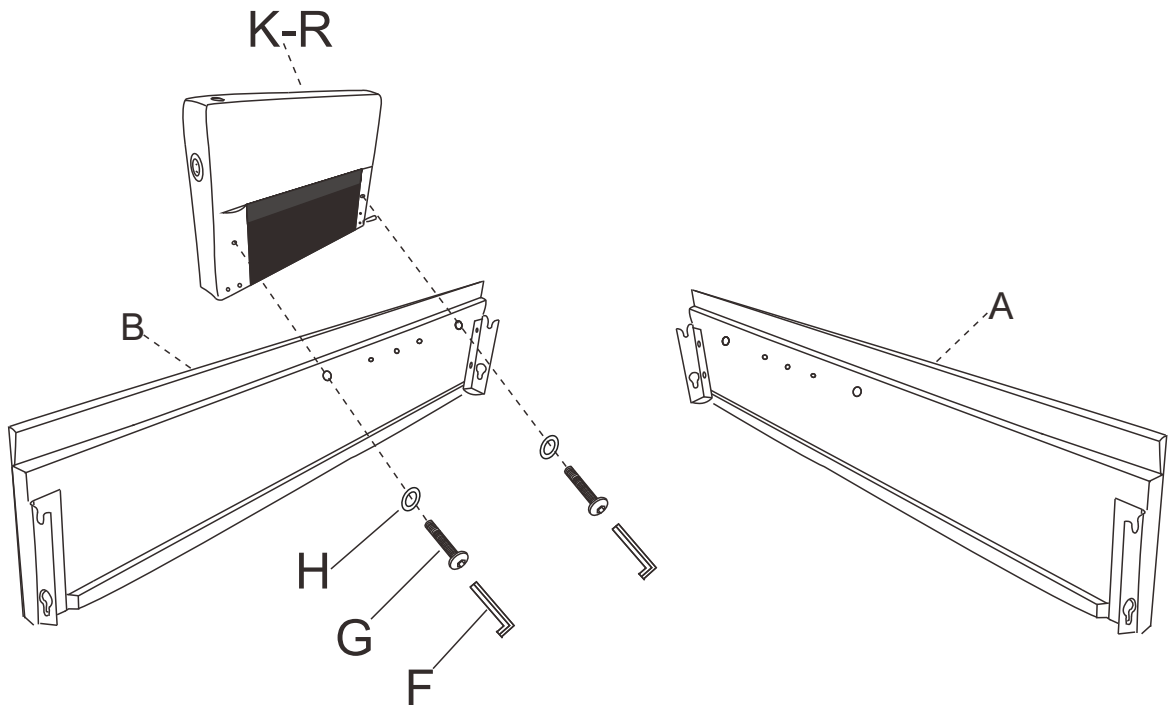
As this step shows, tighten all the screws finally.



Pls refrain from tightening the screws initially.
As it will help you align all the screw holes more effectively.

A		X1
B		X1
D-L		X2
D-R		X2
E		X8
F		X1

STEP2

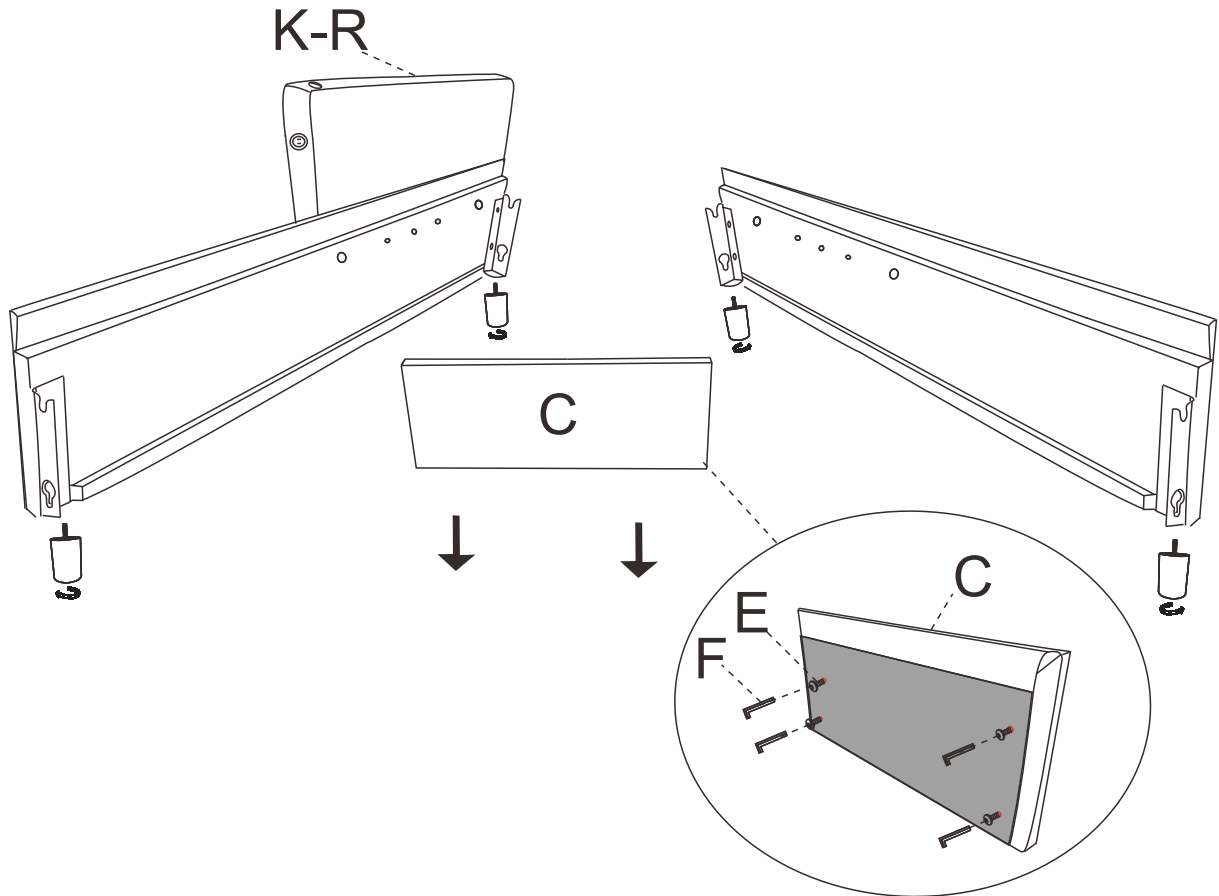






Don't forget to use screw washers when tightening the screws to prevent deformation of the iron frame.

NOTE In order to assemble the Left L-shaped sofa, pls connect parts #J-L to panel #A. (The Right L-shaped sofa shown is assembled by connecting #K-R to panel #B.)

F		X1
G		X2
H		X2
K-R		X1

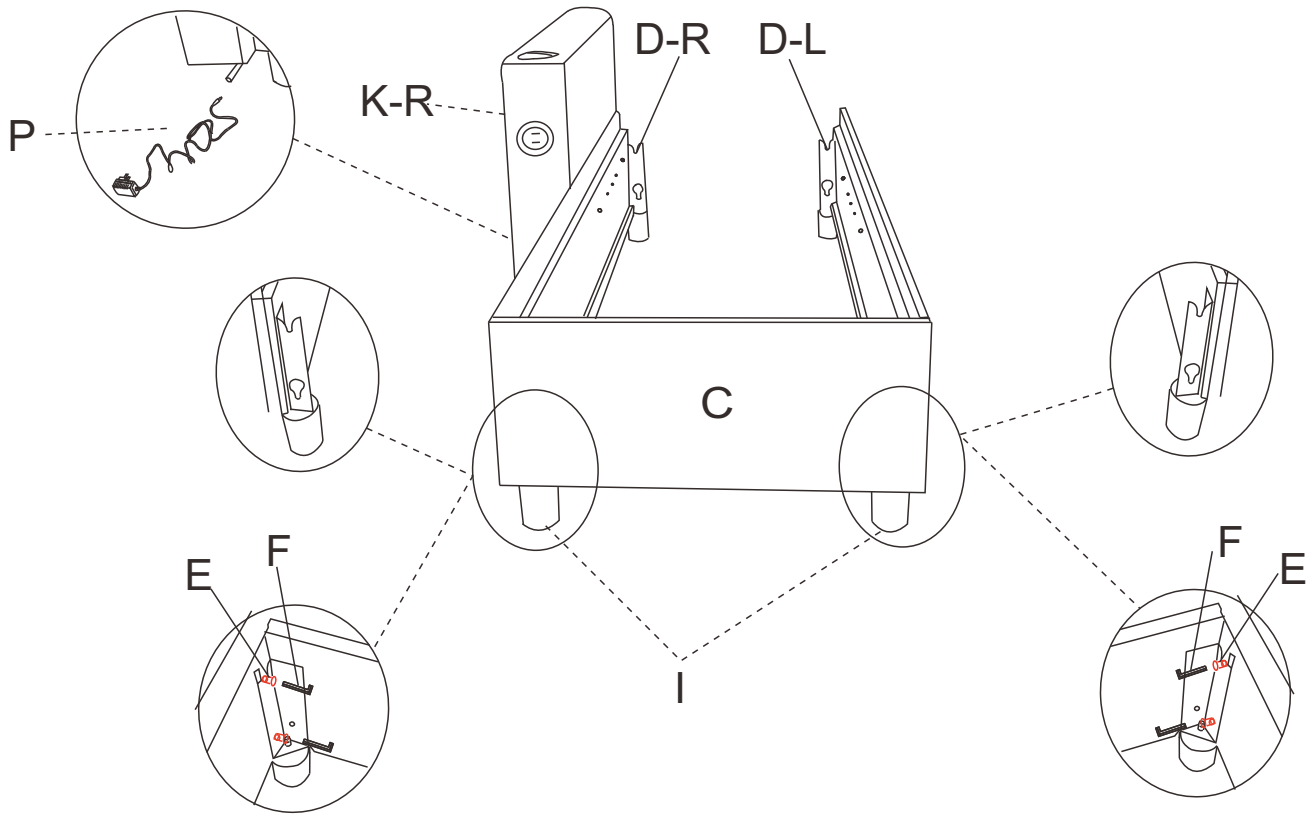
STEP 3



C		X1
E		X4
F		X1
I		X4

Turn the screws on the front board and not too tight; then put the front board on to the connect metal.

STEP4



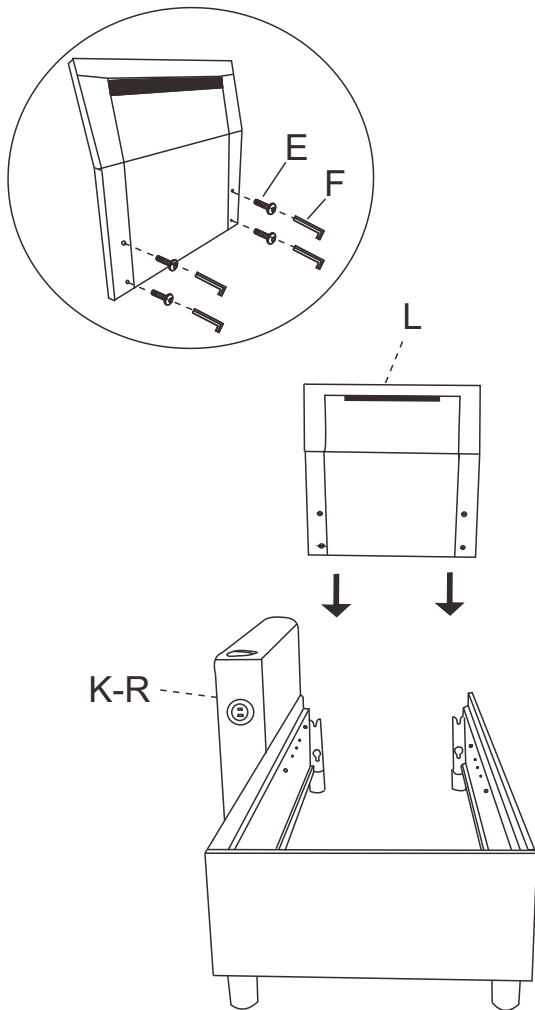
Attach the power cord behind the right armrest of the chair.

And tighten all the screws in this step.

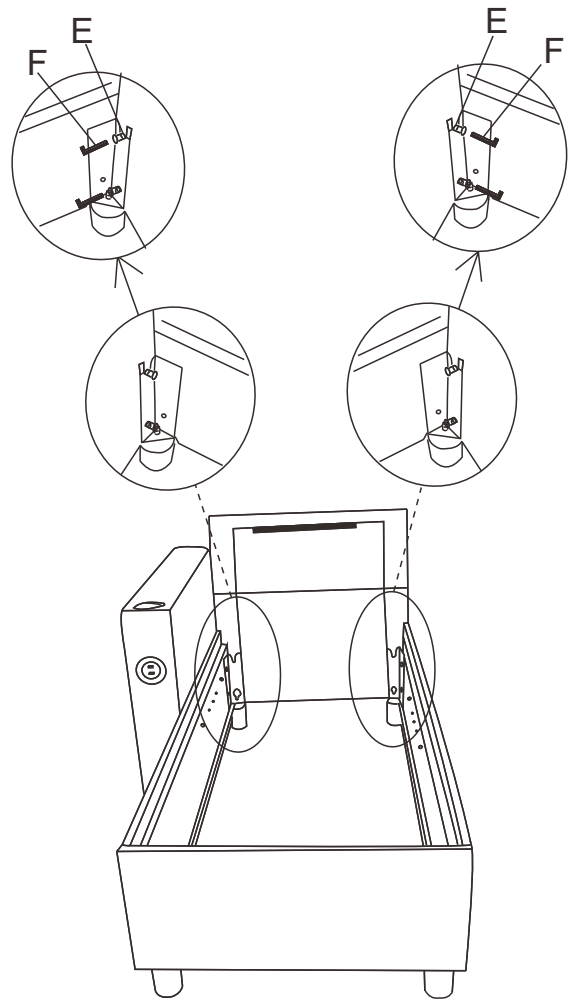
F		X1
P		X1

STEP5



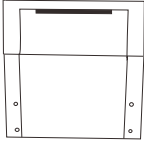
Not too tight at first



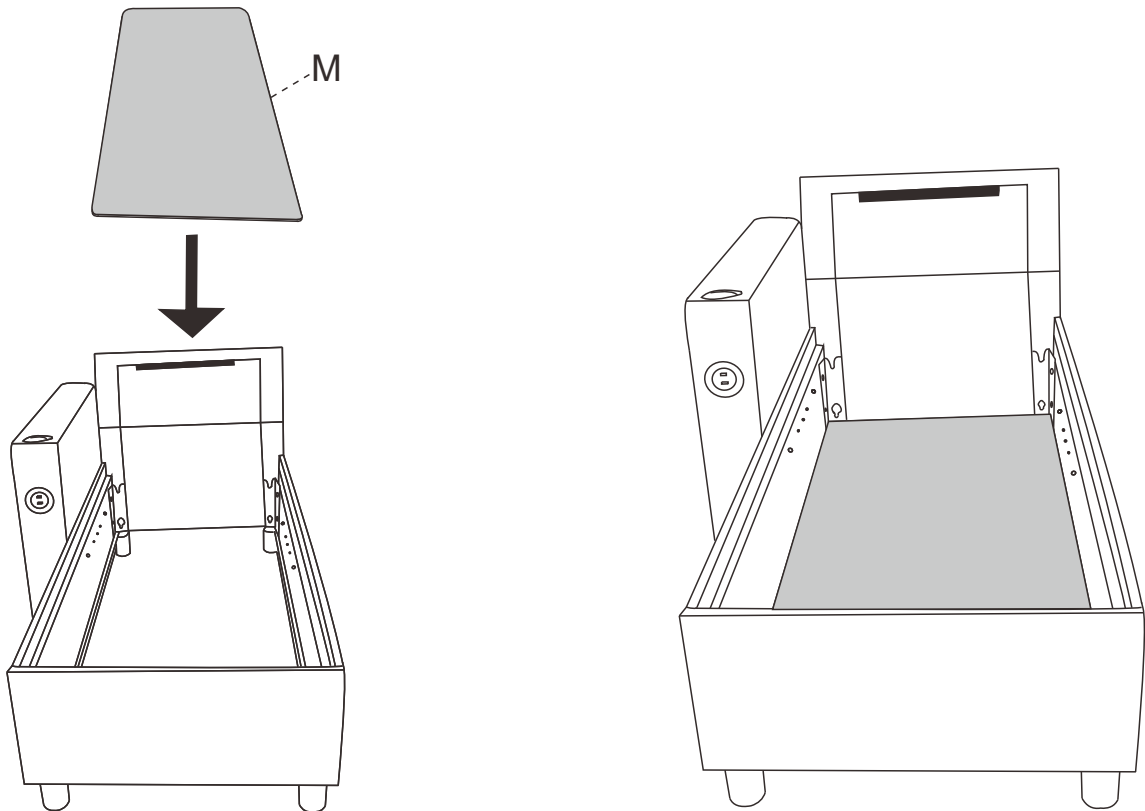
Tighten the screws at the end



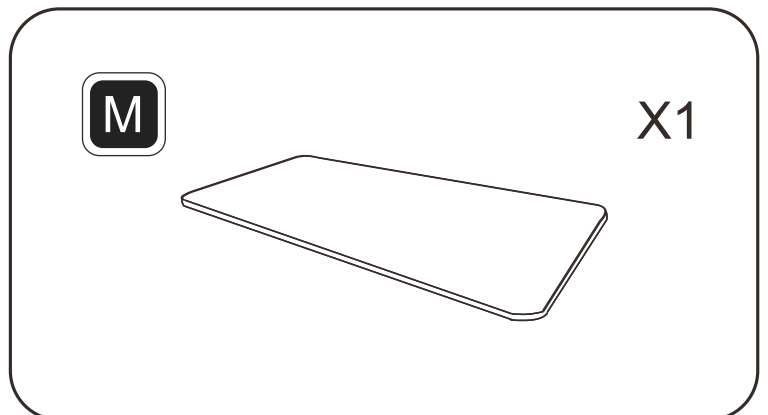
Turn the screws on the chaise backrest (L) not too tight; then put the back rest on to the connectmetal, and then tighten the screws.

E		X4
F		X1
L		X1

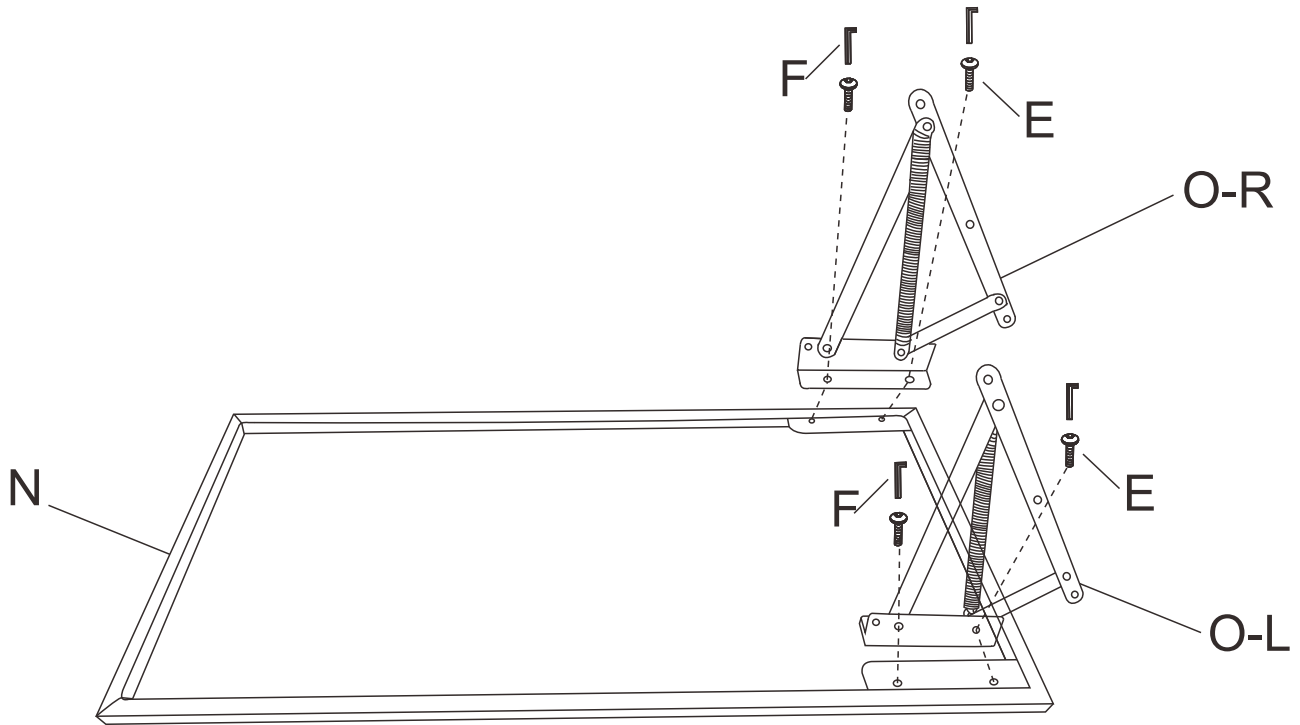
STEP 6



Lower panel #M onto the lowest metal shelf and snap it into place, but be careful not to use violence.








STEP7

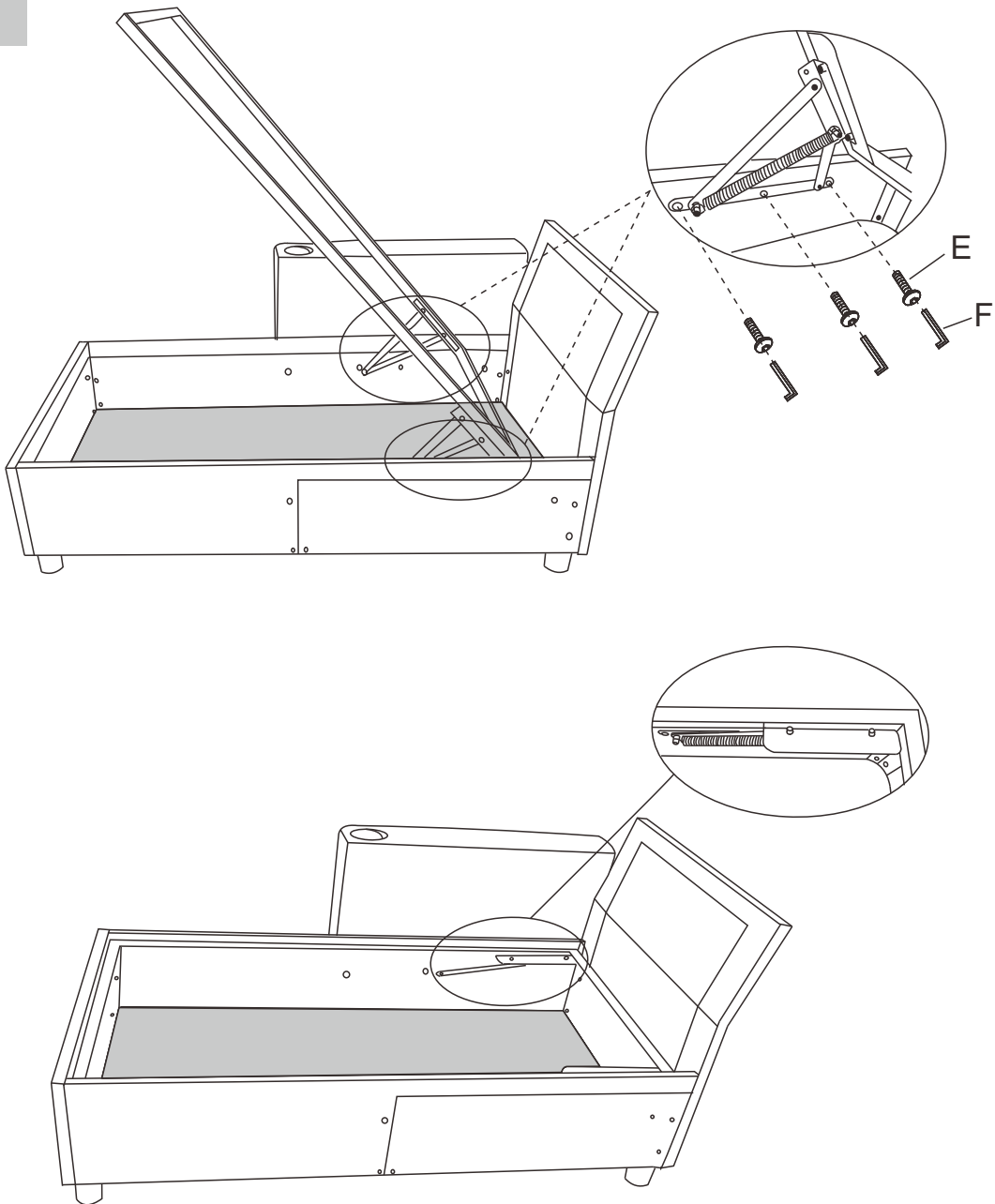


And pls note the orientation of the O parts.

Pls refrain from tightening the screws initially. As it will help you align all the screw holes more effectively.



E		X4
F		X1
O-L		X1
O-R		X1
N		X1

STEP 8

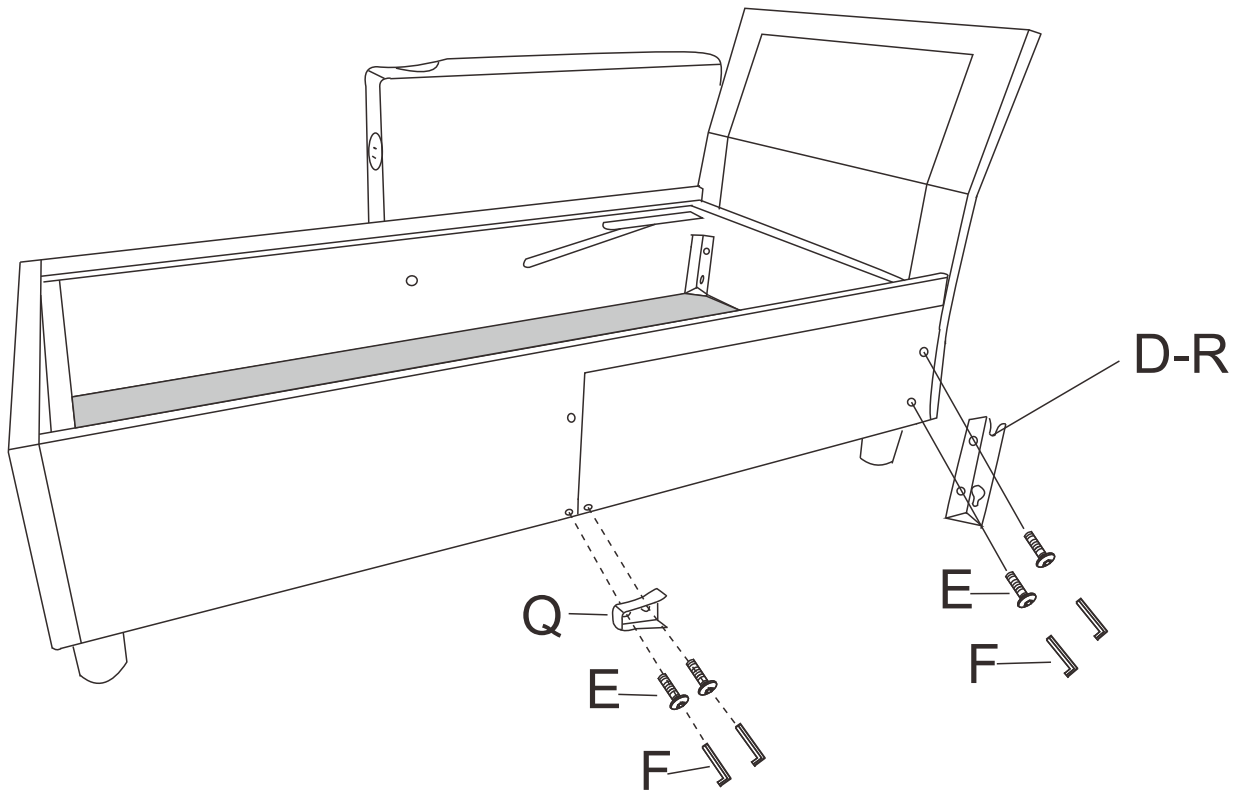


2 Persons Assistance is Needed.





When installing this part, you may encounter difficulty aligning the screws. We recommend having 2-3 people work together to align each screw hole and screw them in halfway. This will help with alignment. You can also use an electric torque gun for the last tightened. If you face any uncertainties during installation, we are here to help.

E		X6
F		X1

STEP9

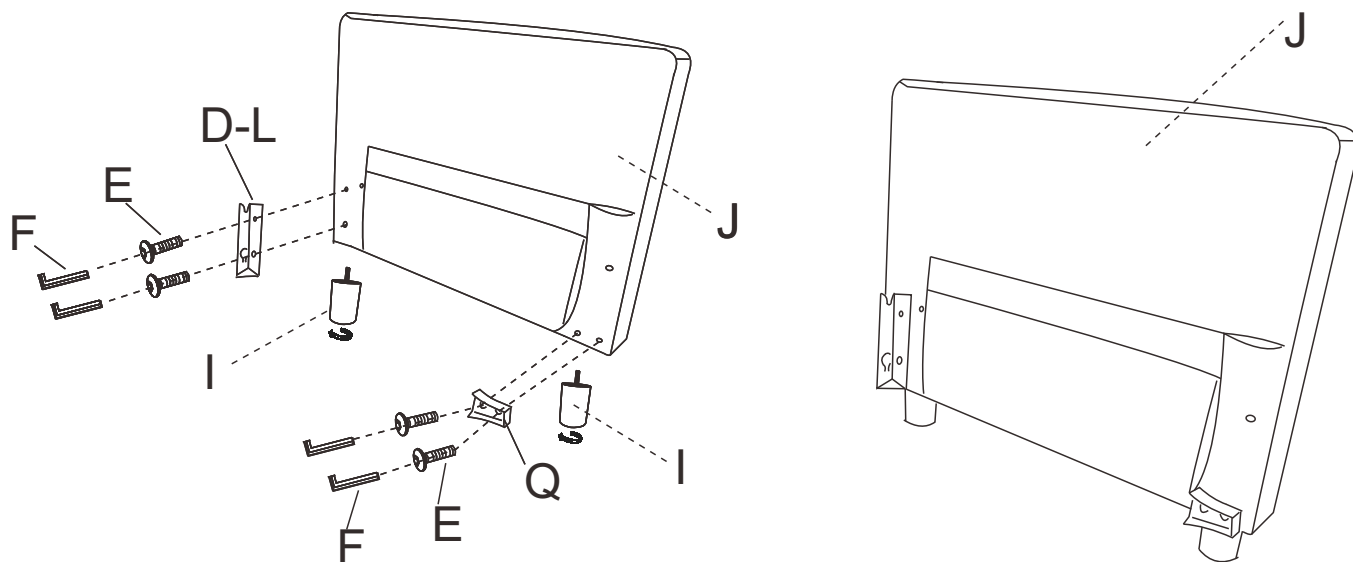


Please tighten the screws at the end.

E		X4
F		X1
D-R		X1
Q		X1







Double Person Sofa

STEP1

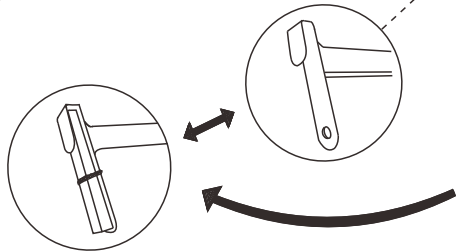
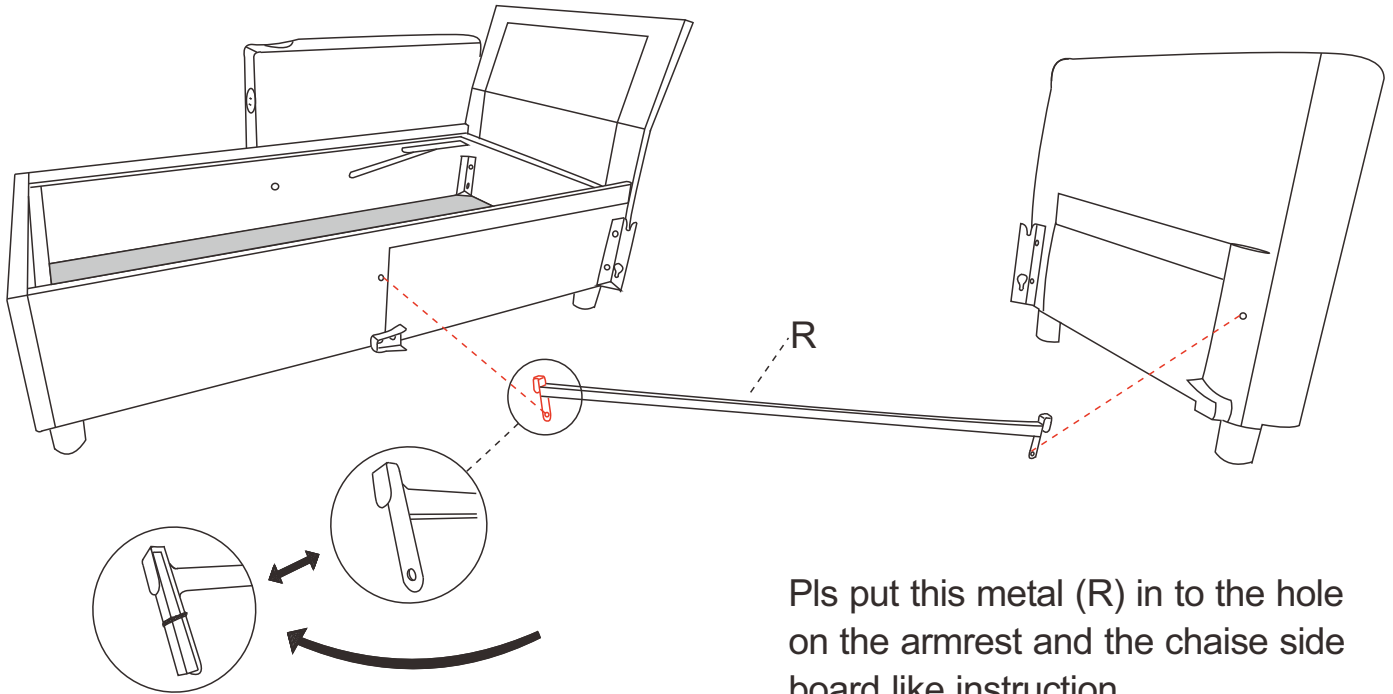


Pls refrain from tightening the screws initially.
As it will help you align all the screw holes more effectively.

NOTE If you want to assemble the Left L-shaped sofa, pls install all the parts from this step on the #K-R right armrest. (The illustration shows how to assemble the Right L-shaped sofa, so pls don't make a mistake)

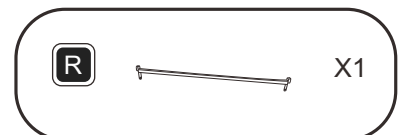
E		X4
F		X1
D-L		X1
Q		X1
I		X2
J-L		X1

STEP2

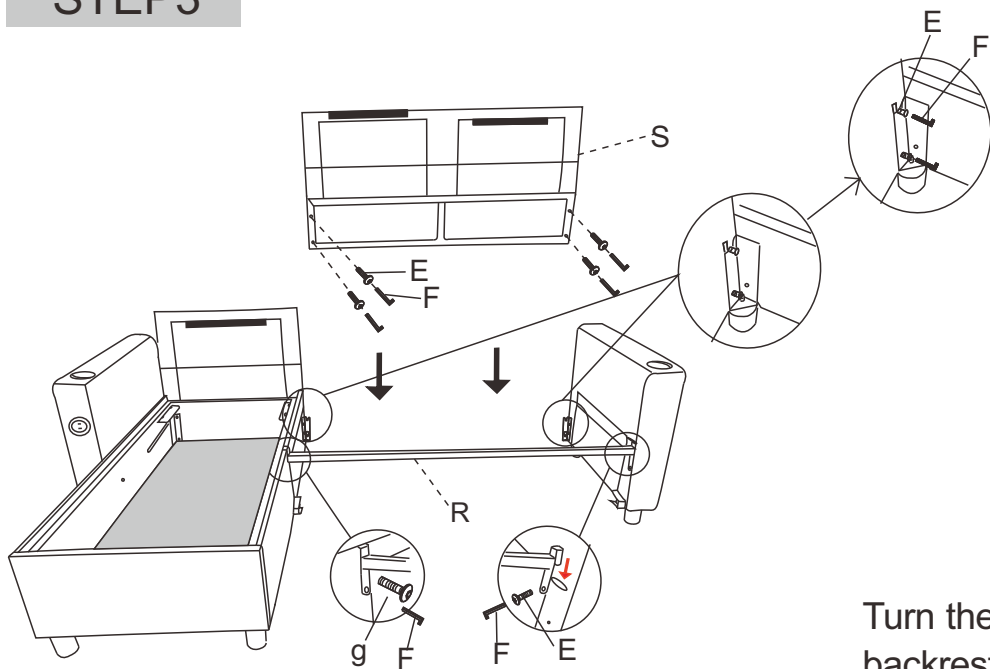


Remove small pieces of wood while assembling.

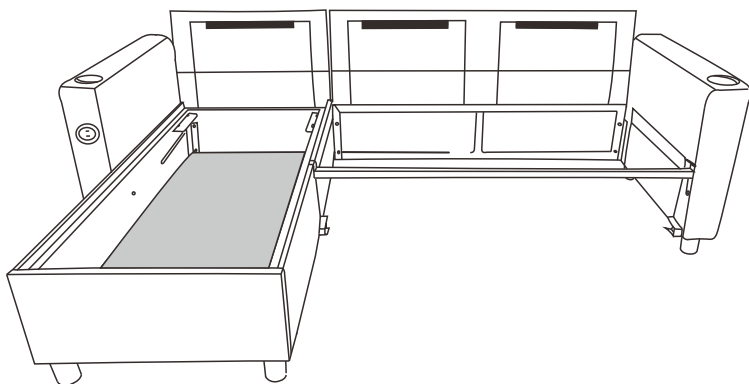
Pls put this metal (R) in to the hole on the armrest and the chaise side board like instruction .






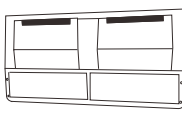
STEP3



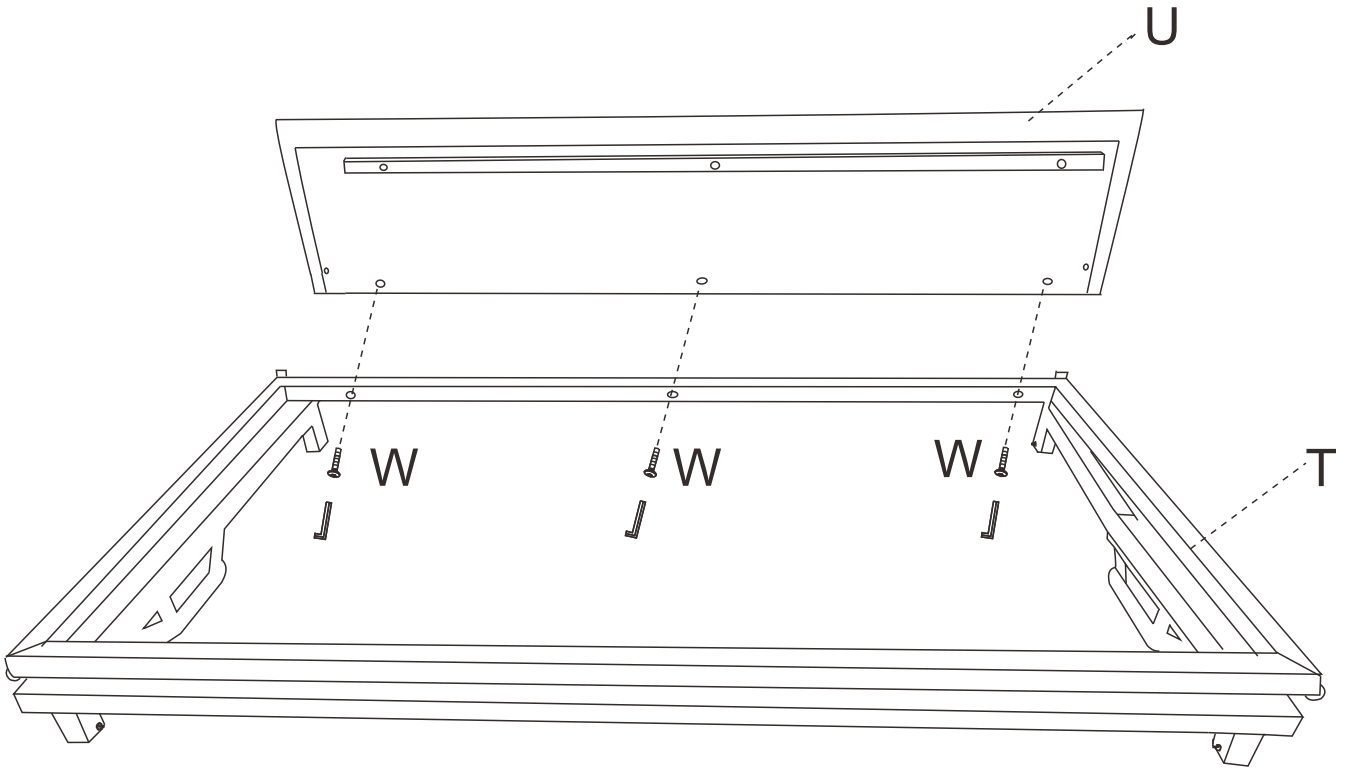
Turn the screws on the 2-seater backrest(S) **not too tight**; then put the back rest on to the connectmetal, and **tighten the screws at the end of.**



NOTE If you are assembling the Left L-shaped sofa, when you are sitting on the sofa, the left side should be a single sofa bed and the right side is a double sofa chair, so pls don't get the left and right installations wrong. If you have any questions, please contact our customer service. Thank you!





E		X5
f		X1
g		X1
S		X1

STEP4

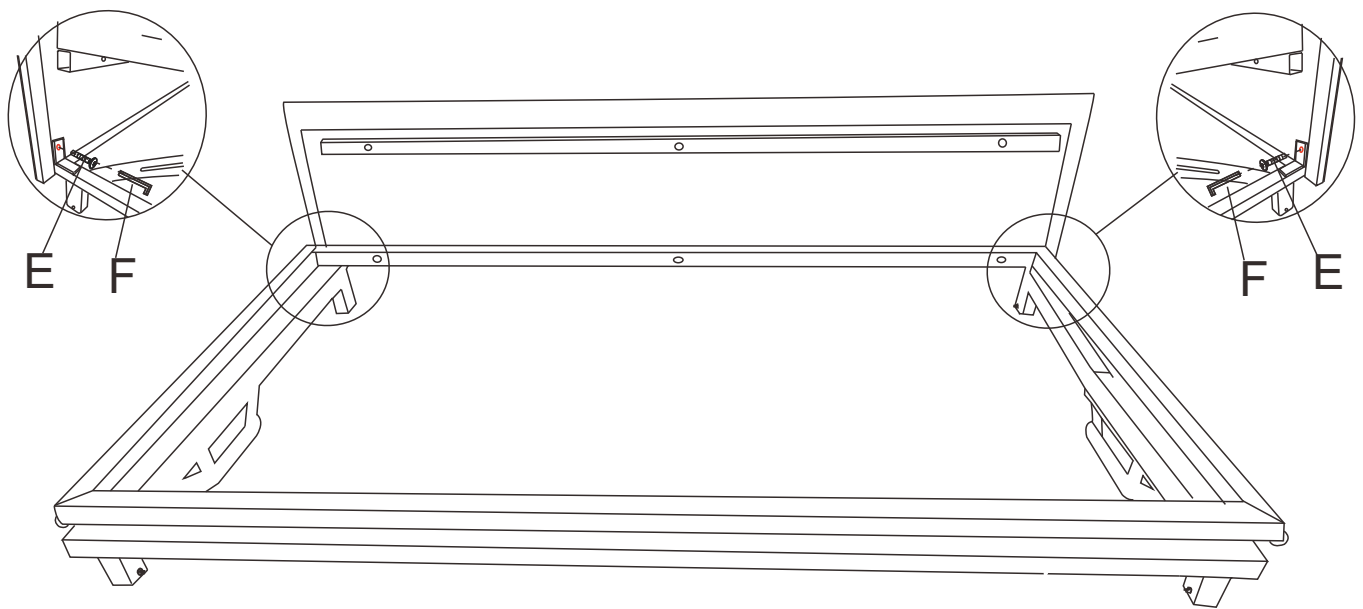


Install U and V first, then U and T.



Pls put the screws in the screw holes first, don't tighten them, and then tighten them together after they are all aligned.

T		X1
F		X1
U		X1
W		X3

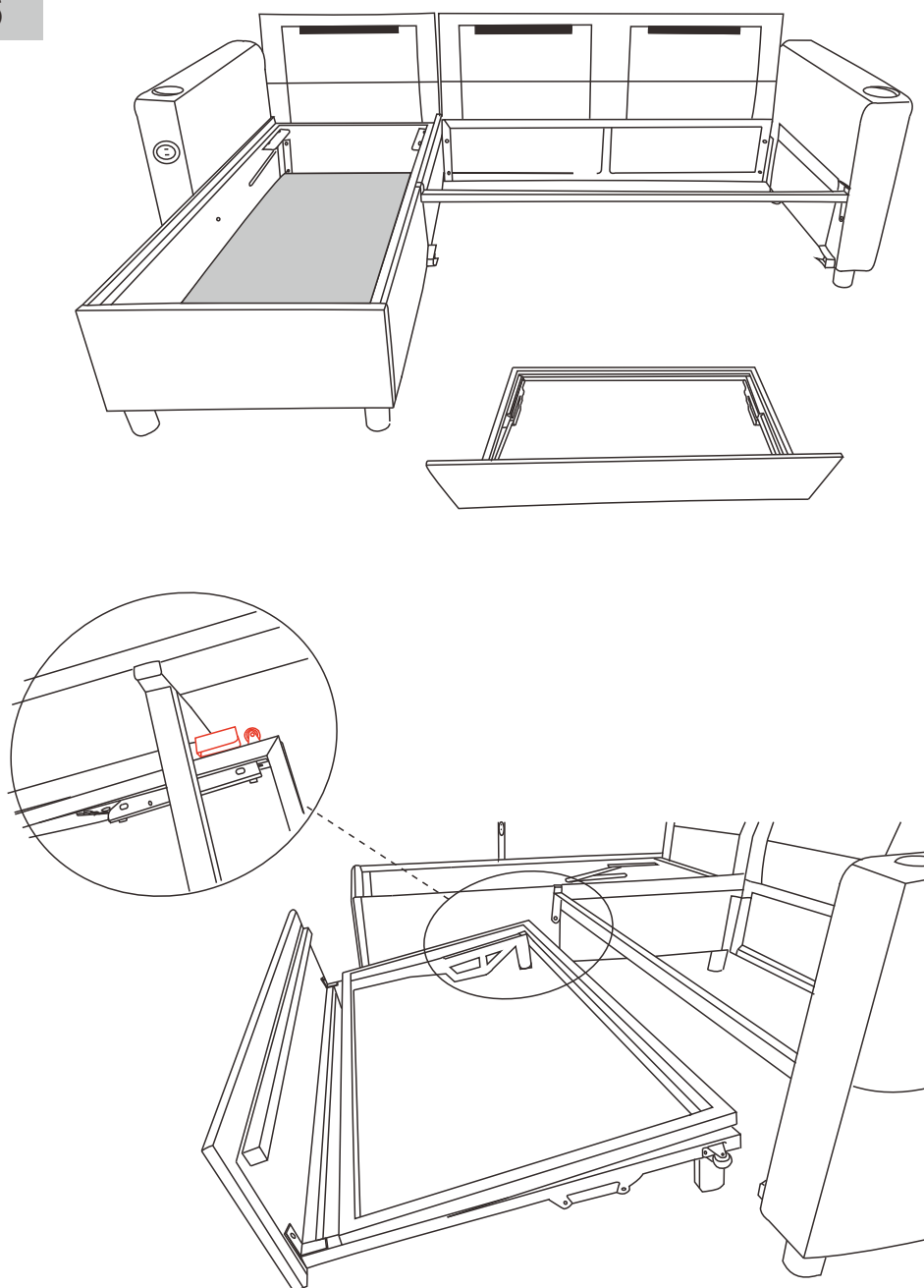
STEP5



Pls put the screws in the screw holes first, don't tighten them, and then tighten them together after they are all aligned.

E		X2
F		X1

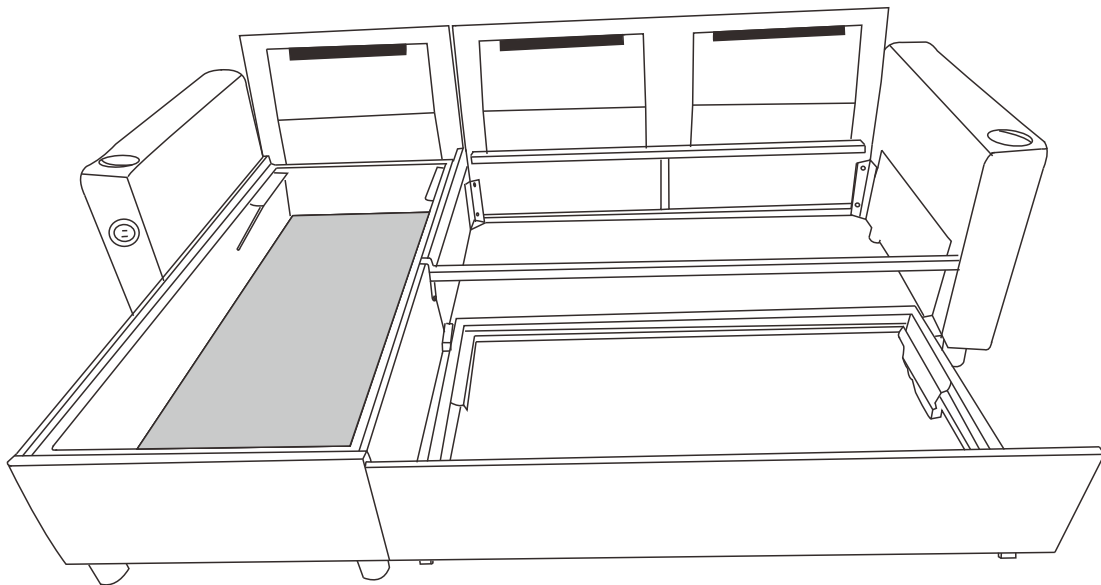
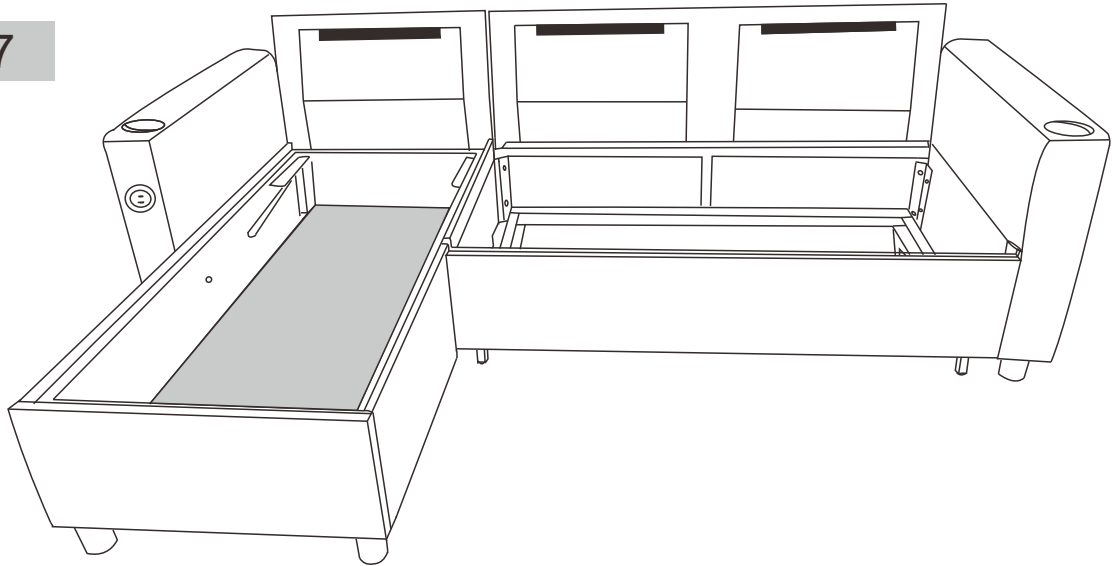
STEP6



Please place the installed base frame under the double sofa chair.

And pls make sure the caster into the Limin ting stopper(Q).

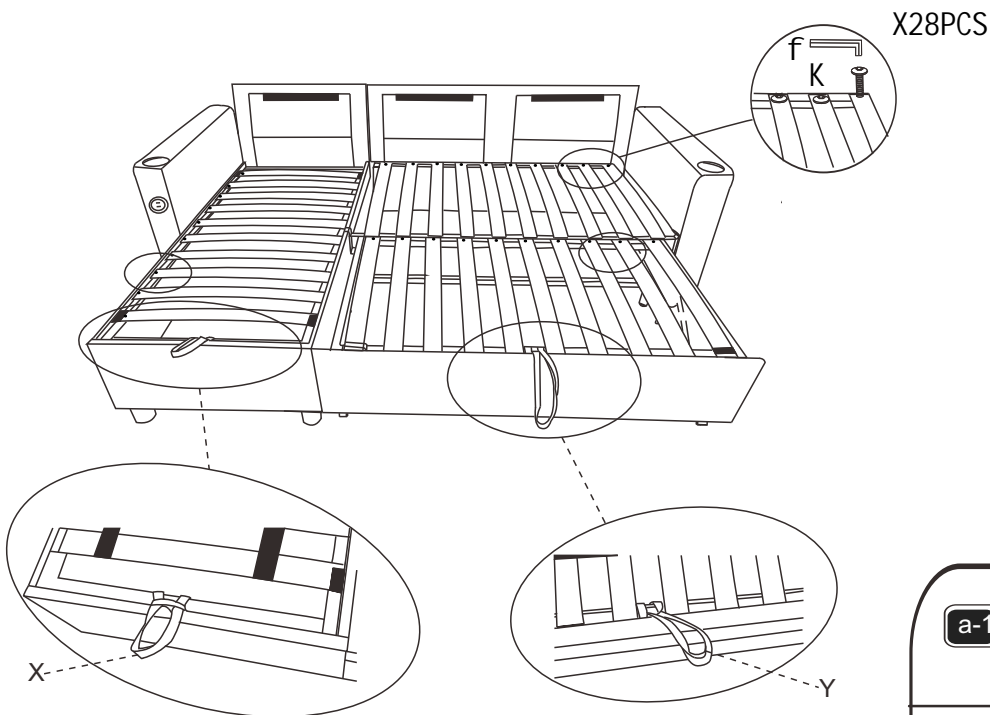
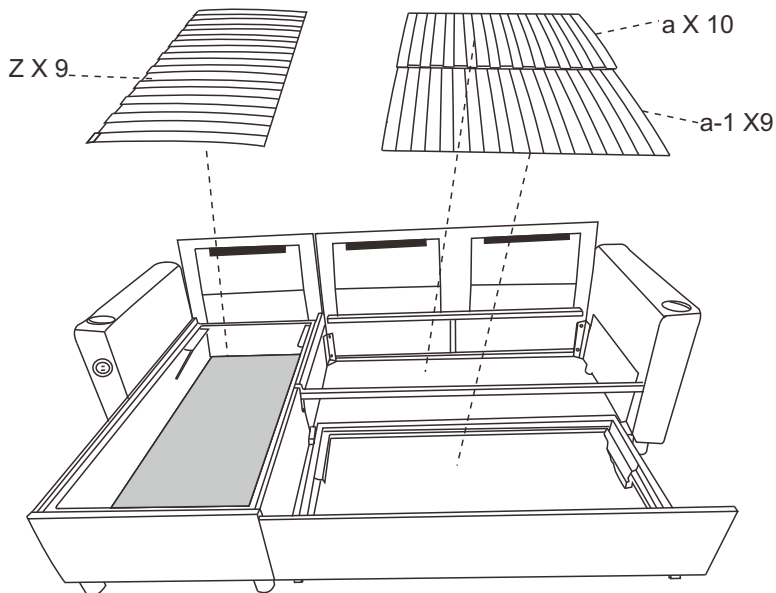
STEP 7



Please ensure that the pulley on the bottom is securely fastened to the Q-part. You can test the pulley's functionality by pulling on the base.

NOTE If you are assembling the Left L-shaped sofa, when you are sitting on the sofa, the left side should be a single sofa bed and the right side is a double sofa chair, so pls don't get the left and right installations wrong. If you have any questions, please contact our customer service. Thank you!

STEP8



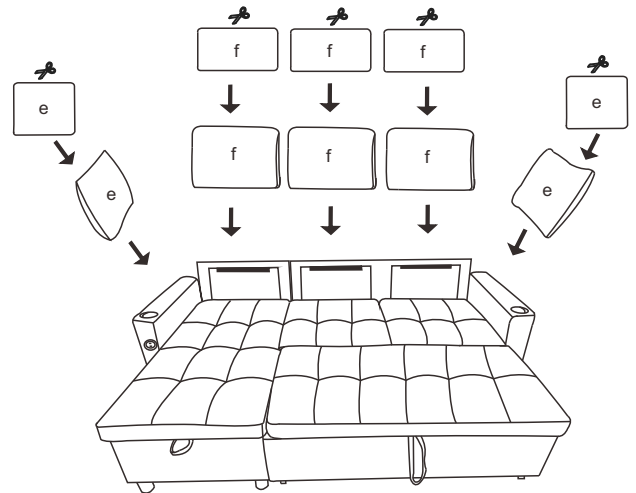
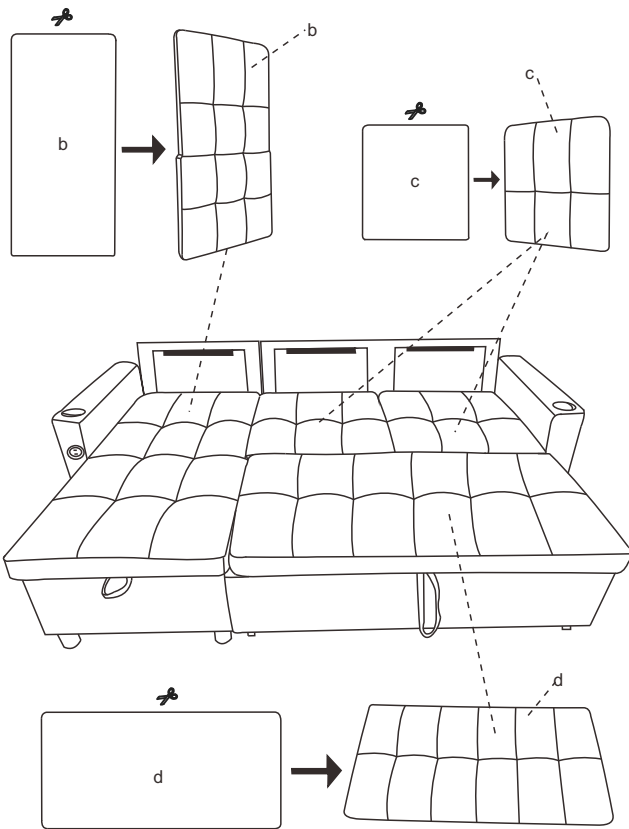
All the boards are placed in the middle of the iron frame and are centered. You can fix it with screws (K) to the iron frame, and then stick the other side, arranging them evenly.

Please note that it is not that the planks are short, but that he is placed in the center.

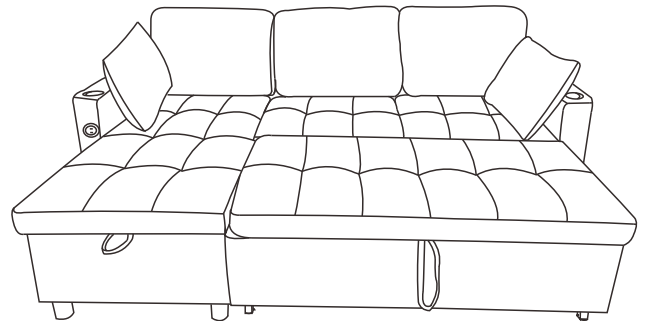
*If you use it and the planks are damaged, you can contact us and we will help you to replace this part for free under warranty.

a-1		X9
K		X28
f		X1
a		X10
X		X1
Y		X1
Z		X9

STEP9



The product has compression parts, we recommend that the compression must wait 72 hours to unfold, and it needs to be patted by hand.

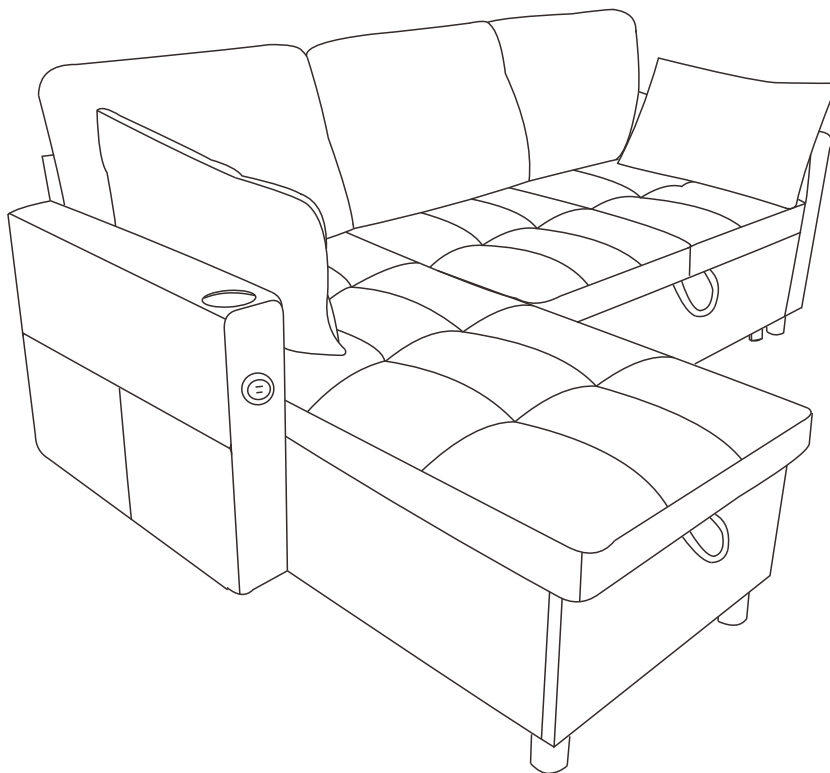
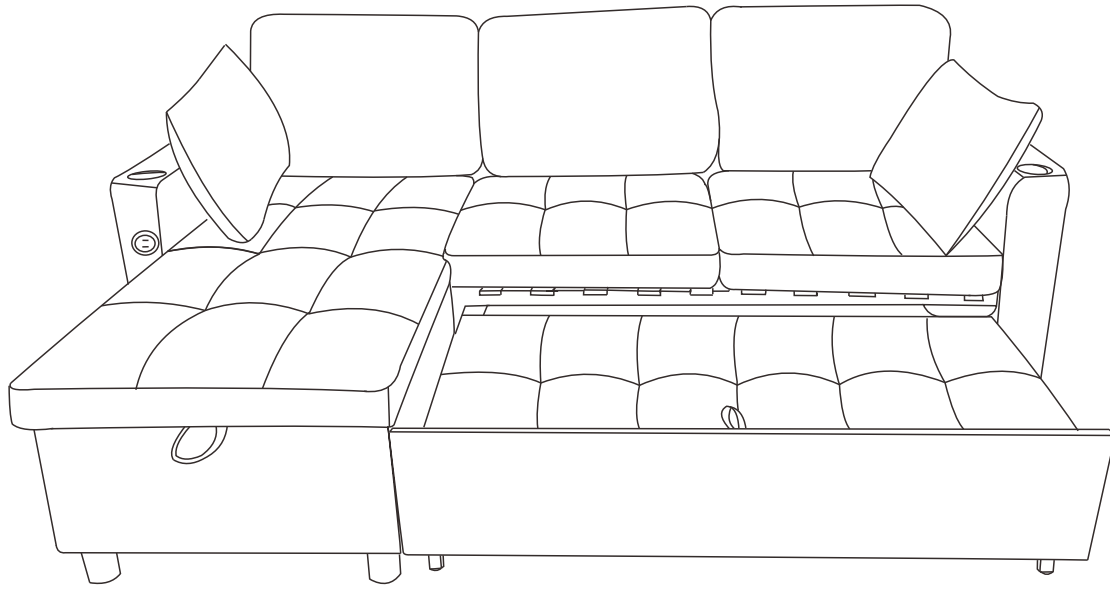


Attention

If you find that the seat cushions and back cushions haven't fully regained their fullness due to vacuum compression, we recommend tapping them gently and letting them sit for **72 hours**.

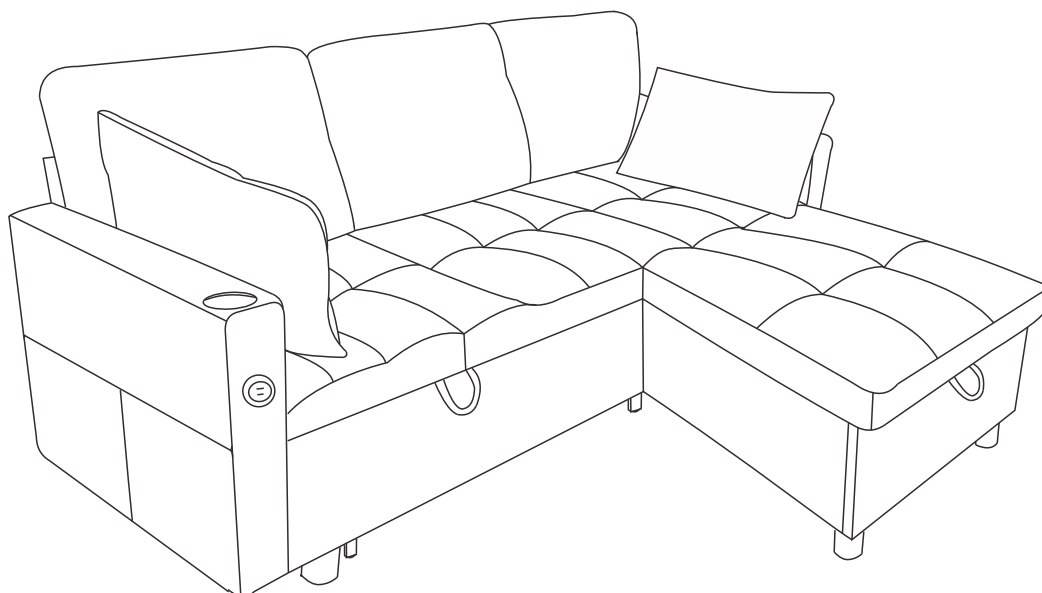
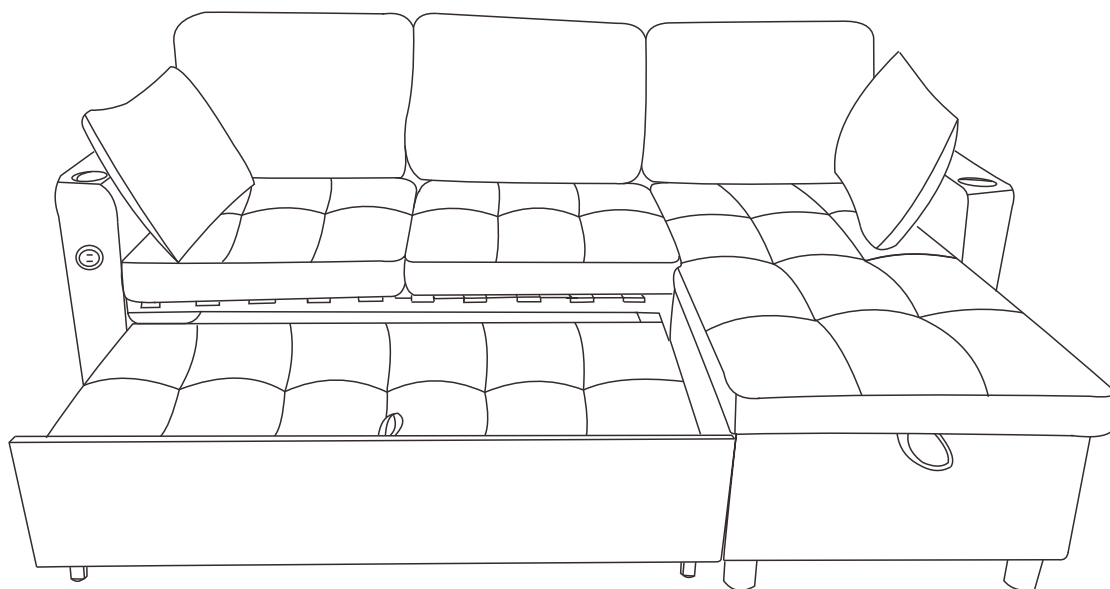
b		X1
c		X2
d		X1
e		X2
f		X3

Right L-Shape Combination Sofa



Built-in storage is easy to access and spacious enough to store blankets, pillows or anything you want.

Left L-Shape Combination Sofa



If you want to assemble the sofa as a left L-shaped sofa, make the corresponding changes in STEPS 2 of the installation of the Single Person Sofa Bed and SETPS 1, 3, 6, 7 of the Double Person Sofa.