



**Hardware included:**



screw  
+  
anchor



allen  
wrench



mounting  
bracket

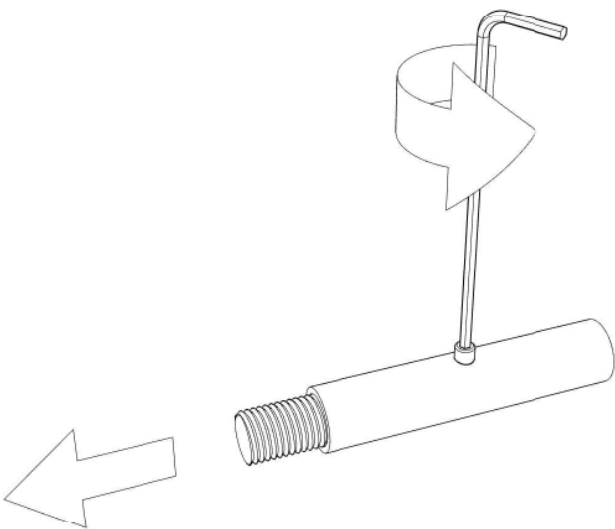


threaded  
rod

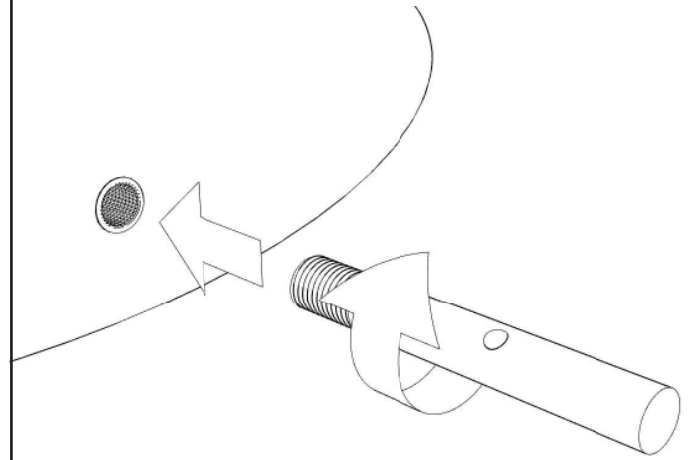


bolt

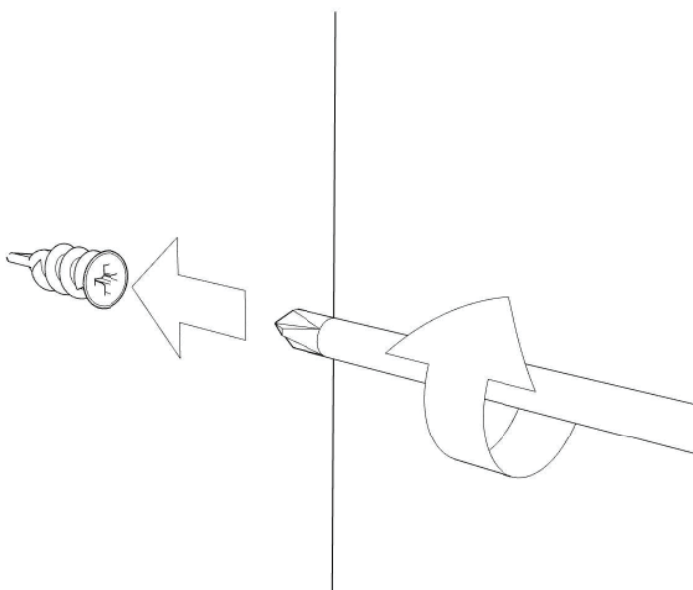
1 - Unscrew bolt and remove the threaded rod from the mounting bracket.



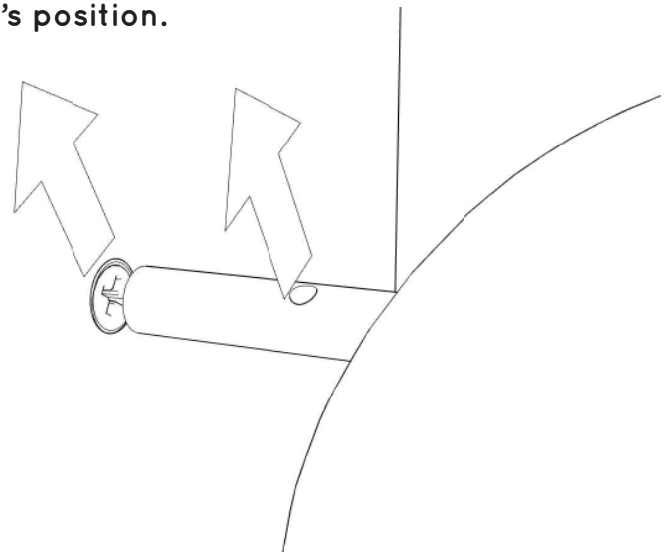
2 - Screw threaded rod into Wall decor. Make sure it's fully tightened.



3 - Screw anchor into drywall.

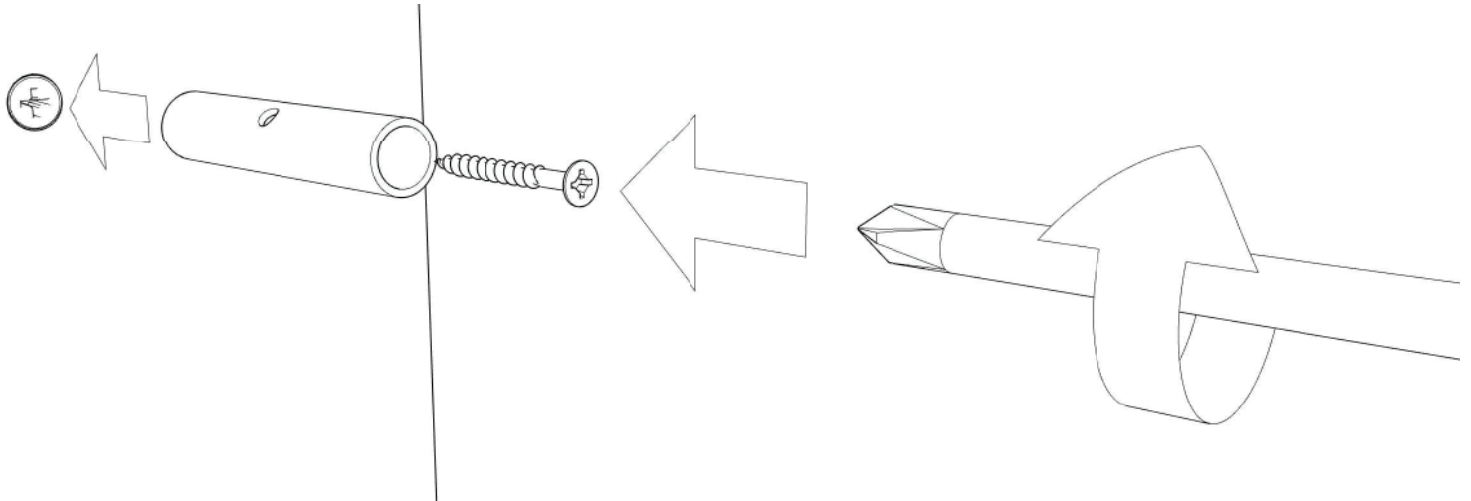


4 - Hold Wall decor against the wall on desired angle and position. **Take note of hole's position.**

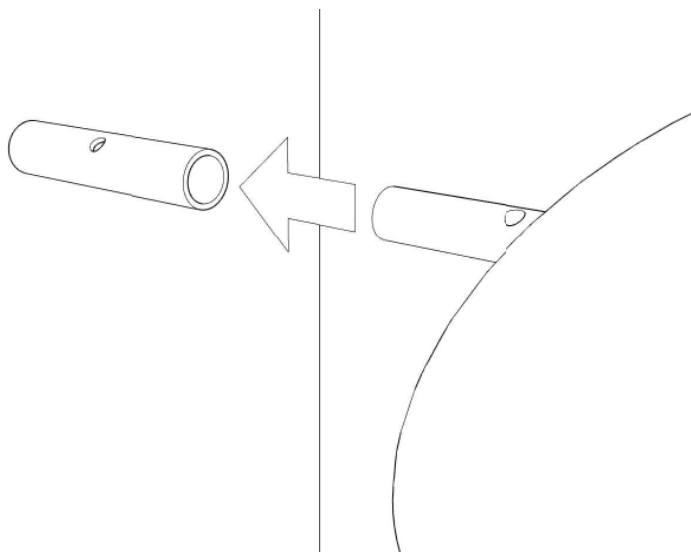


5 - Screw Mounting bracket into Anchor.

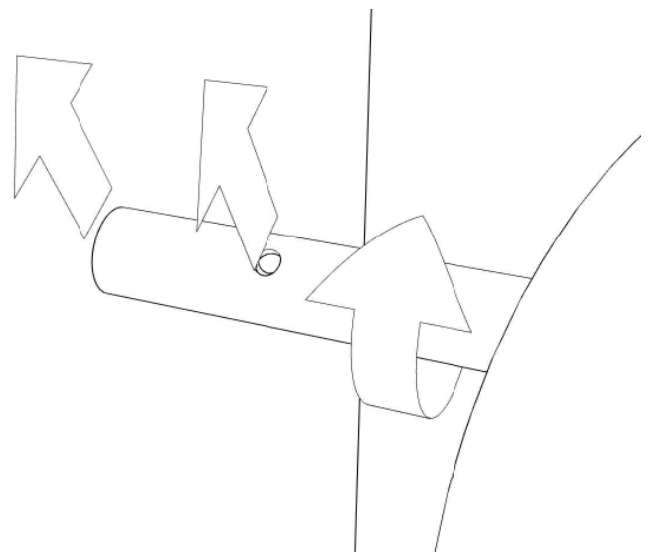
**Don't fully tighten screw.**



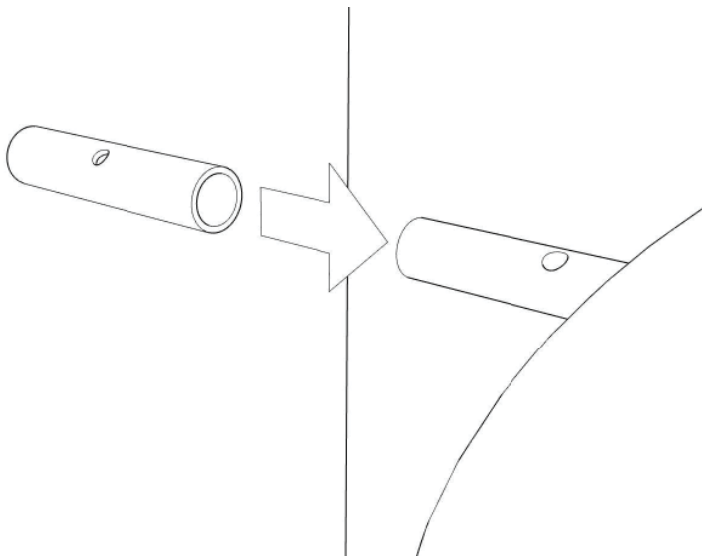
6 - Insert Rod to Mounting bracket, align holes and make sure Wall decor is at desired position noted previously.



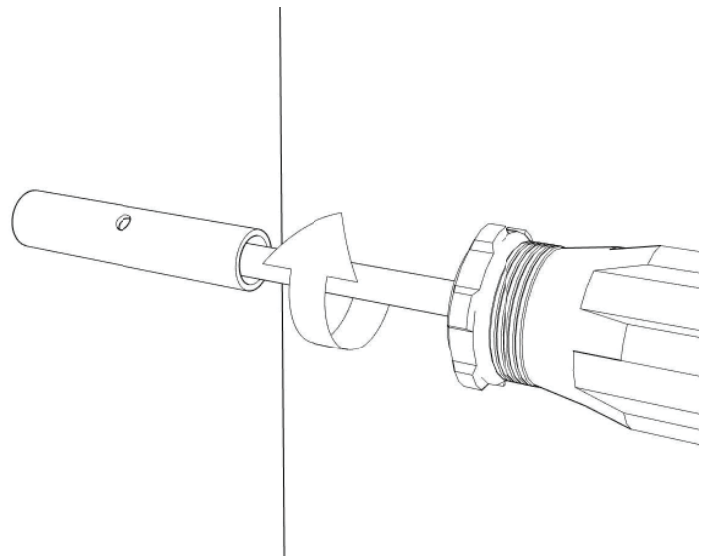
7 - If needed, rotate Mounting bracket along with Wall decor to desired position.



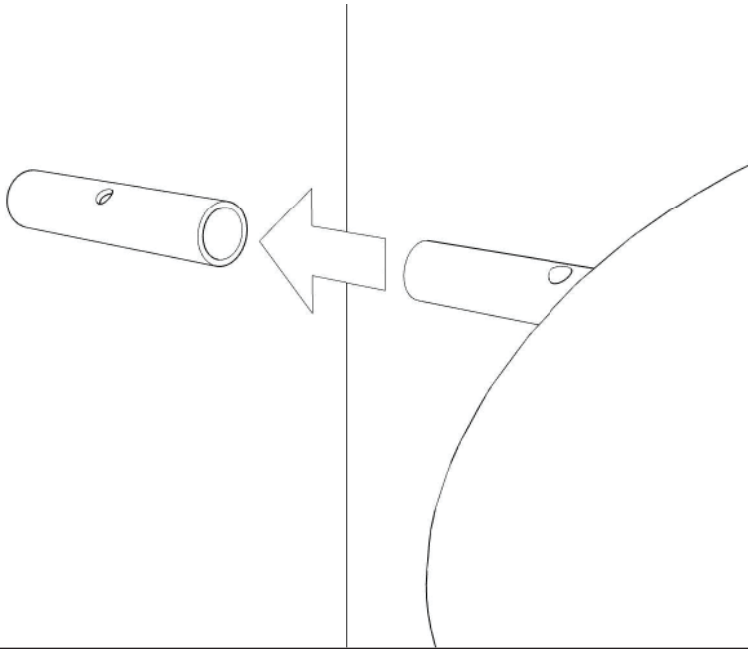
8 - Remove the Wall decor from the Mounting bracket.



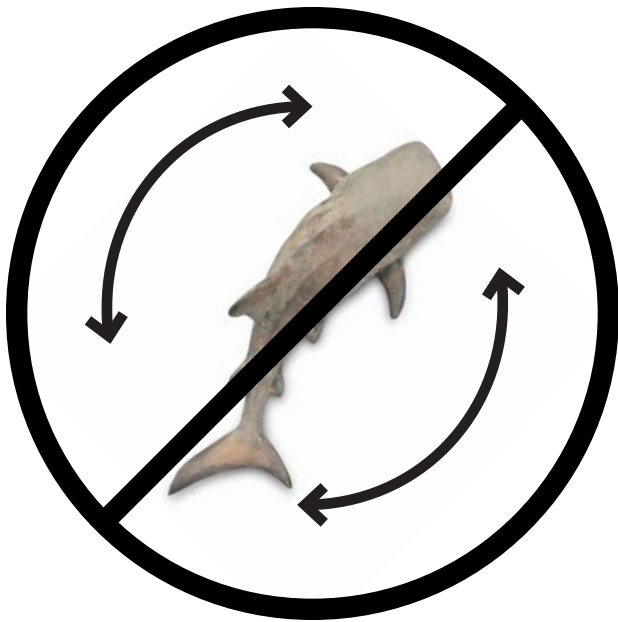
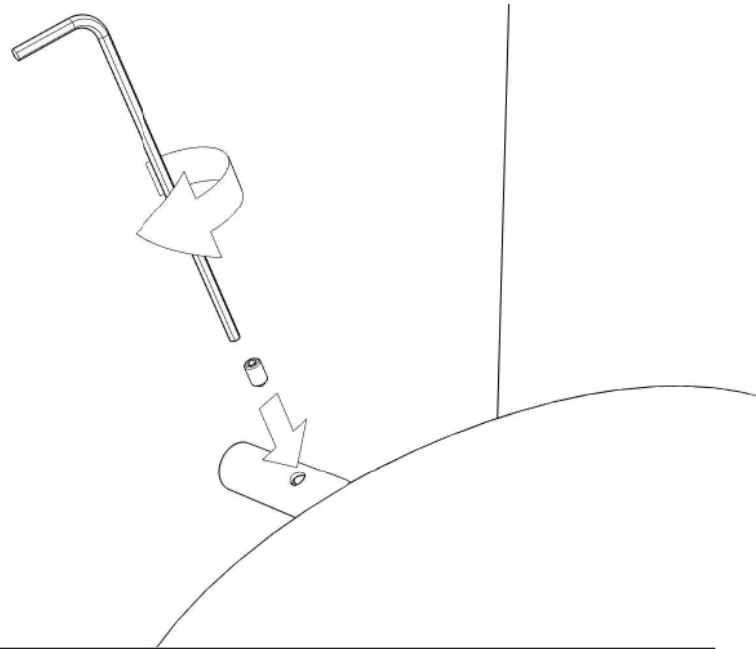
9 - Tighten screw.



10 - Insert Rod back to Mounting bracket.



11 - Screw bolt fully tighten.



#### ATTENTION

Do NOT try to adjust the Wall Art's angle or position after finished installing.

If needed please remove the Wall decor from the Mounting bracket and repeat steps **6 to 11**.