

INSTRUCTION MANUAL ENCLOSED

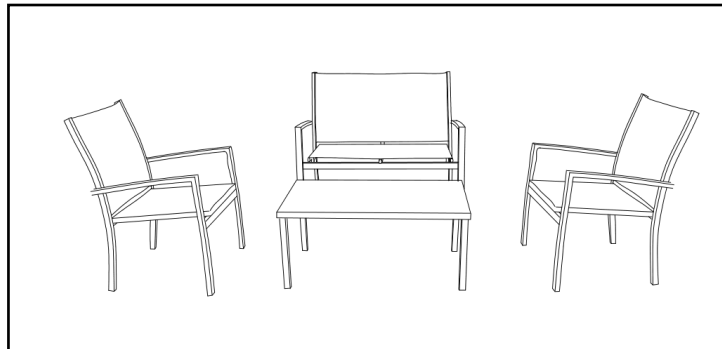
ATTENTION

**IF YOU HAVE ANY PROBLEMS OR QUESTIONS, EMAIL OR CALL
CUSTOMER SERVICE BEFORE YOU RETURN THIS PRODUCT TO THE
STORE WHERE IT WAS PURCHASED.**

INSTRUCTION MANUAL ENCLOSED

MODULAR SEATING

MODULAR SEATING INSTRUCTION



Part	Description	Quantity
PARTS LIST		
<i>PARTS</i>		
A	Armrests	6
B	Chair Back Frame Poles	6
C	Club Chair's Chair Backs	2
D	Club Chair's Chair Seats	2
E	Loveseat's Chair Backs	1
F	Loveseat's Chair Seats	1
G	Table Top Frame	1
H	Tempered Glass	1
I	Table Legs	4
<i>HARDWARE</i>		
J	Allen Key & Spanner	1
K	Bolts M6*15mm	25
L	Bolts M6*25mm	12
M	Bolts M6*50mm	18
N	Washers	59
O	Screws	10
P	Plastic End Caps(1)	73
Q	Plastic End Caps(2)	28

A		6PCS	E		1PC	I		4PCS
B		6PCS	F		1PC	J		1PC
C		2PCS	G		1PC	K	M6x15mm	25PCS
D		2PCS	H		1PC	L	M6x25mm	12PCS
						M	M6x50mm	18PCS
						N	washer	59PCS
						O	screw	10PCS
						P	plastic end cap(1)	73PCS
						Q	plastic end cap(2)	28PCS

PLEASE READ AND FOLLOW ALL SAFETY TIPS

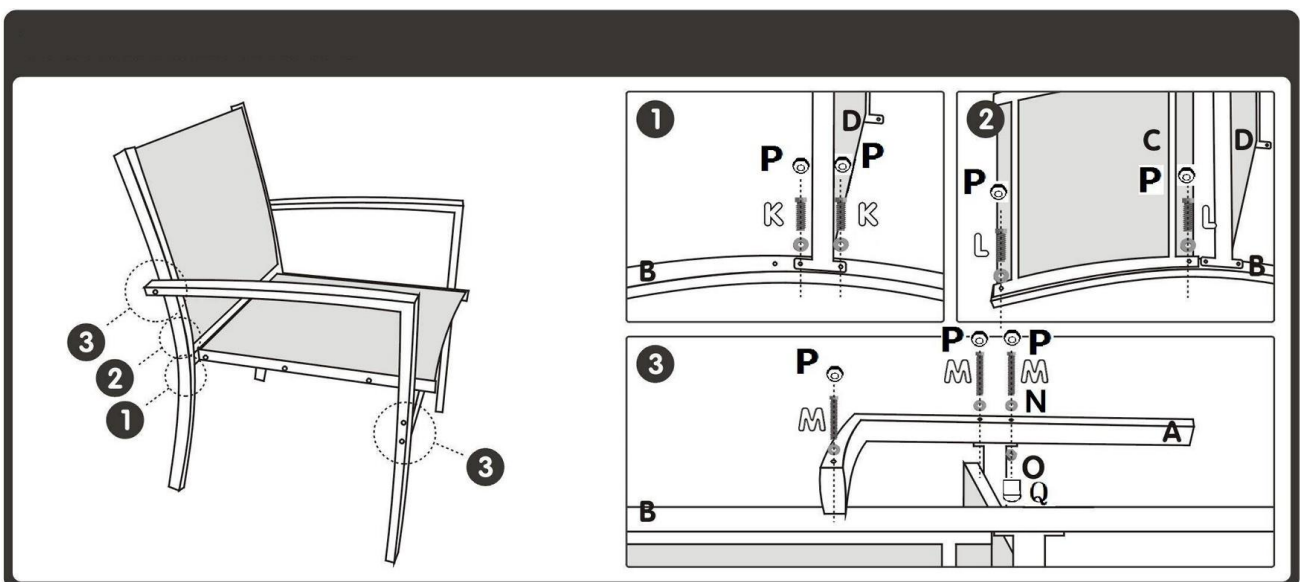
GETTING STARTED

1. Before assembly, CAREFULLY use scissors or utility knife to cut and unwrap all parts. Make sure you do not discard the hardware.
2. Make sure that you have all the parts listed. If you are missing any parts, please contact Customer Service. Please identify the parts you need and model number. Make sure to include your name and address.

1. Locate the Club Chair's Chair Seat(D) to the Chair Back Frame Pole(B) by the predrilled threads. Fasten Bolts(K) with Washers(P) by Using Allen Key(J). Cap Plastic End Caps(1) on top of Every bolts' head. 4 bolts should be fastened totally, 2 for each pole. (Step 1 as Club Chair)

2. Locate the Club Chair's Chair Back(C) to the Chair Back Frame Pole(B) by the predrilled threads. Fasten Bolts(L) with Washers(P) by Using Allen Key(J). Cap Plastic End Caps(1) on top of Every bolts' head. 4 bolts should be fastened totally, 2 for each pole. (Step 2 as Club Chair)

3. Locate the Armrests(A) to the Chair Back Frame Pole(B) and the Club Chair's Chair Seat(D) by the predrilled threads. Fasten Bolts(M) with Washers(P) by Using Allen Key(J). 6 bolts should be fastened totally, 3 for each armrest. When it comes to the armrest and the chair seat's second bolt, fasten a Screw(O) with Spanner(J). Cap Plastic End Caps(1) on top of Every bolts' head. Cap Plastic End Caps(2) on top of the screw. (Step 3 as Club Chair)

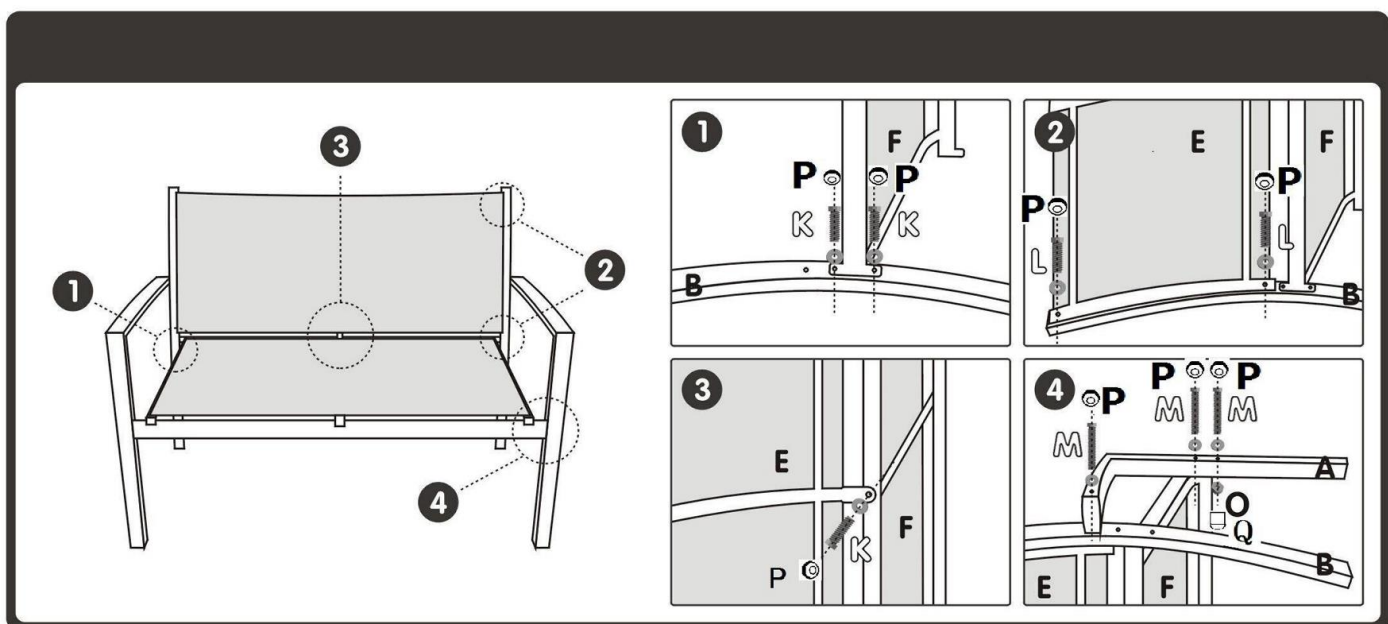


4. Locate the Loveseat's Chair Seat(F) to the Chair Back Frame Pole(B) by the predrilled threads. Fasten Bolts(K) with Washers(P) by Using Allen Key(J). Cap Plastic End Caps(1) on top of Every bolts' head. 4 bolts should be fastened totally, 2 for each pole. (Step 1 as Loveseat)

5. Locate the Loveseat's Chair Back(E) to the Chair Back Frame Pole(B) by the predrilled threads. Fasten Bolts(L) with Washers(P) by Using Allen Key(J). Cap Plastic End Caps(1) on top of Every bolts' head. 4 bolts should be fastened totally, 2 for each pole. (Step 2 as Loveseat)

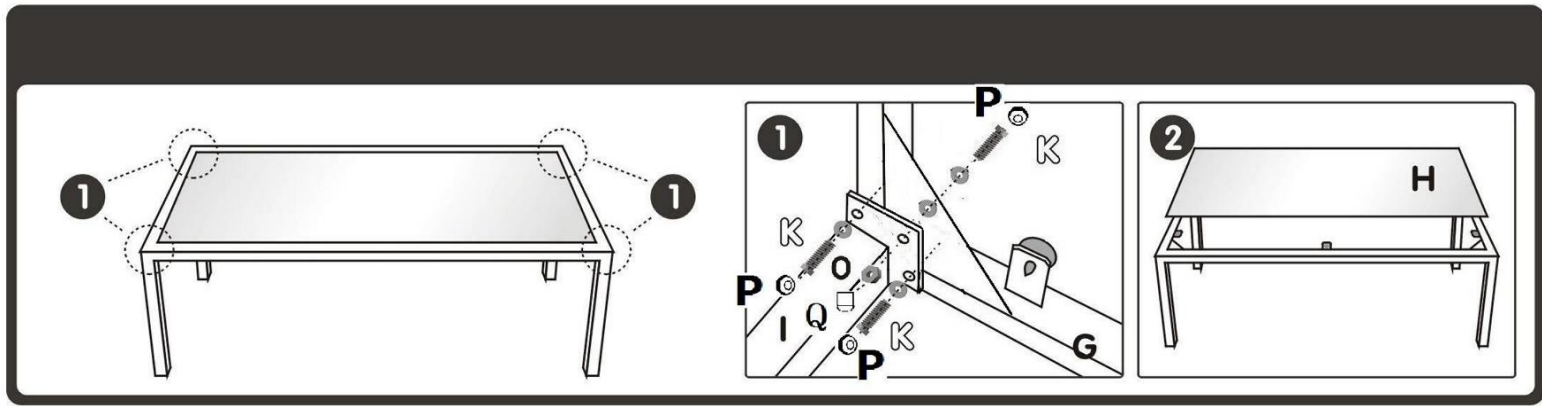
6. Find joint threads within the underpart of the Loveseat's Chair Back the Chair Seat(F). Fasten a Bolt(K) with Washer(P) by using Allen Key(J). Cap Plastic End Caps(1) on top of this bolt's head. (Step 3 as Loveseat)

7. Locate the Armrests(A) to the Chair Back Frame Pole(B) and the Club Chair's Chair Seat(F) by the predrilled threads. Fasten Bolts(M) with Washers(P) by Using Allen Key(J). 6 bolts should be fastened totally, 3 for each armrest. When it comes to the armrest and the chair seat's second bolt, fasten a Screw(O) with Spanner(J). Cap Plastic End Caps(1) on top of Every bolts' head. Cap Plastic End Caps(2) on top of each screw. (Step 4 as Loveseat)



8. Locate Table Legs(I) to the Table Top Frame (G) by each corner. Fasten Bolts(K) with Washers(P) by using Allen Key. Be careful that 1 of the bolts should be fastened reversely compared to the other 2. Fasten Screws(O) to this very bolt with Spanner(J). 12 bolts should be fastened totally, 3 for each leg. Cap Plastic End Caps(1) on top of Every bolts' head. Cap Plastic End Caps(2) on top of the screw. (Step 1).

9. Put the Tempered Glass on top of the Table Top Frame(G).



Now you have finished the whole assembly and enjoy your Seating Set.