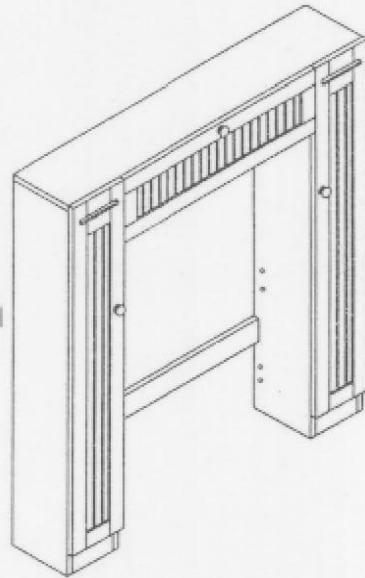
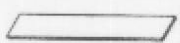



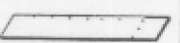

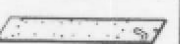
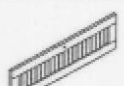



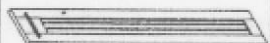

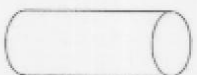




# Assembly Instruction Bathroom Space Saver















Notes: Assembly easier with two people.  
Tools Required – Phillips screwdriver, small Phillips screwdriver

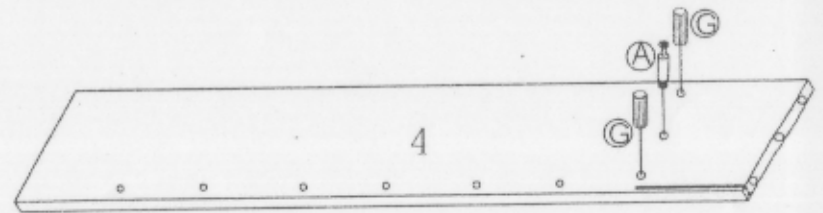
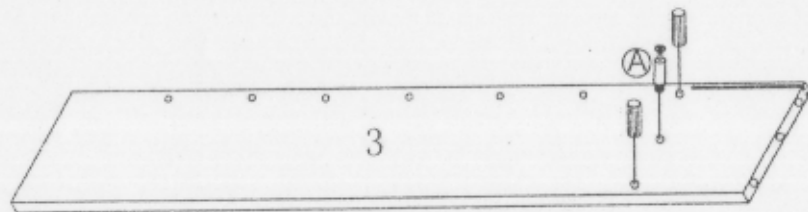
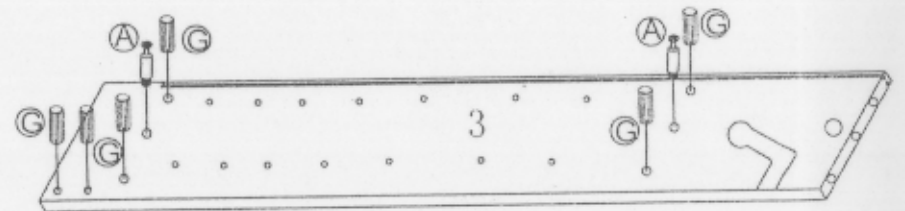
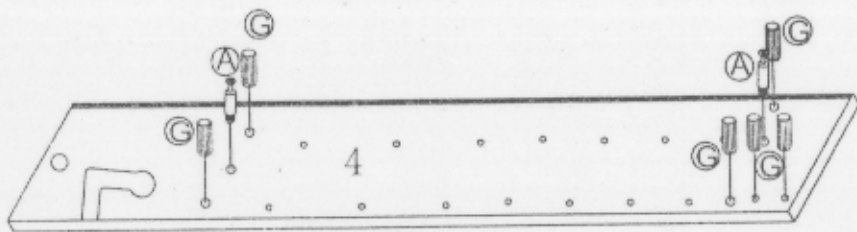
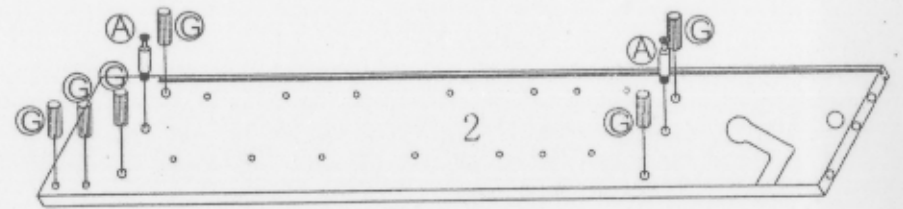
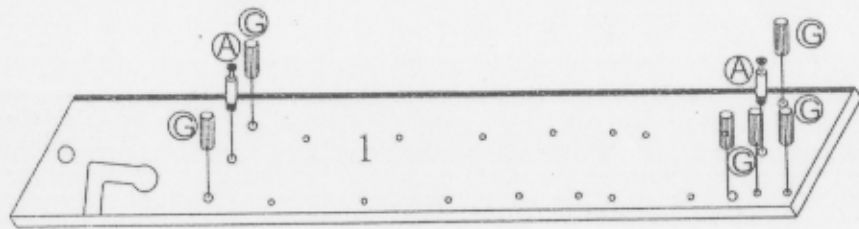
## PARTS LIST

ITEM	PART PICTURE	QTY	ITEM	PART PICTURE	QTY
1	 Left Side Panel Of Left Storage	1	9	 Adjustable Shelf	4
2	 Right Side Panel Of Right Storage	1	10	 Bottom Shelf	2
3	 Right Side Panel Of Left Storage	1	11	 Bottom Cross Bar	2
4	 Left Side Panel Of Right Storage	1	12	 Upper Door Panel	1
5	 Top Panel	1	13	 Right Door Panel	1
6	 Bottom Panel	1	14	 Left Door Panel	1
7	 Lower support Bar	1	15	 Paper Holder	2
8	 Upper Shelf	2	16	 Upper Door Back Panel	1

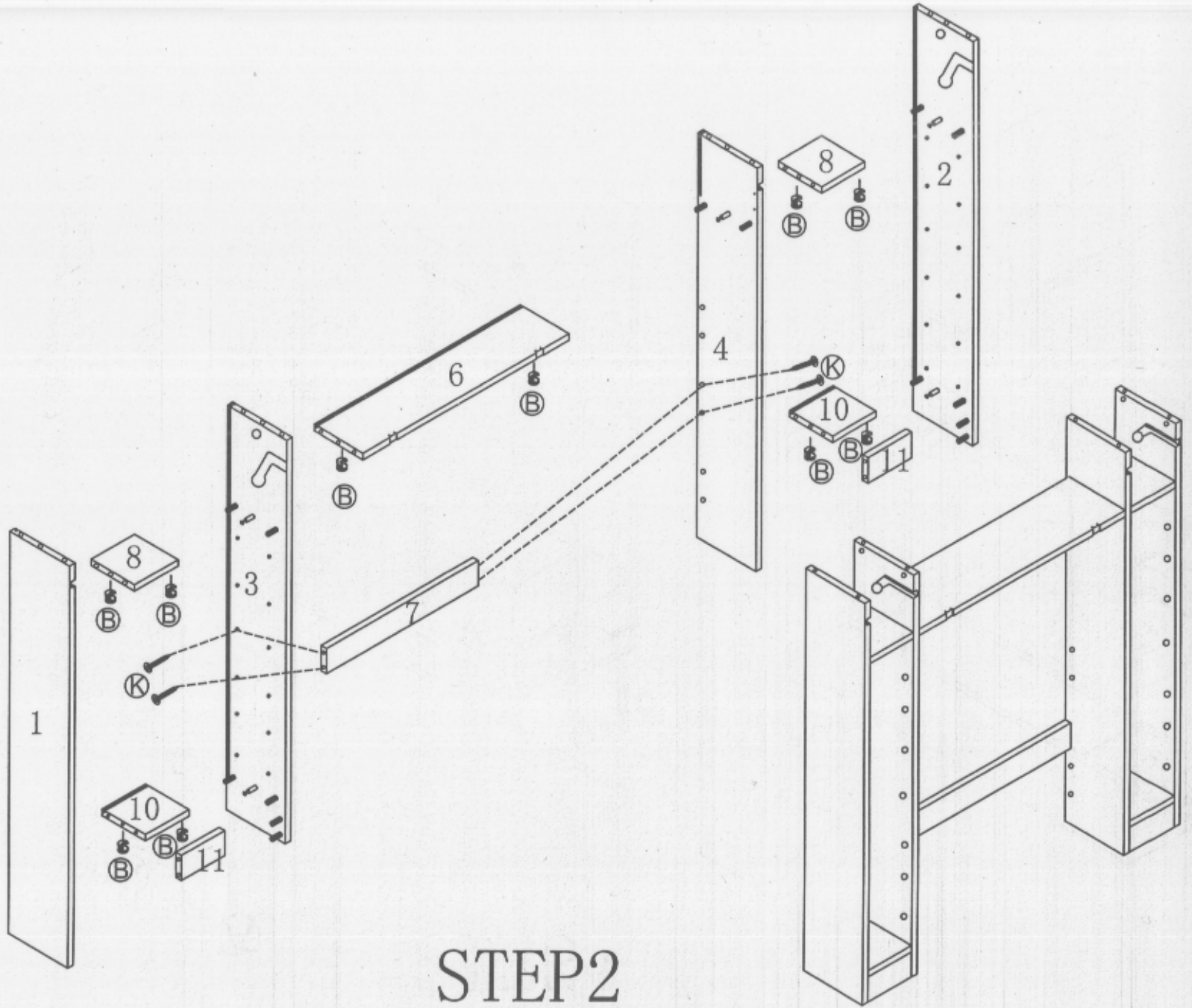
## HARDWARES LIST

ITEM	PART PICTURE	QTY	ITEM	PART PICTURE	QTY
A	 Camlock Bolt	14	G	 Wood Dowel 6*30mm.	36
B	 Camlock	14	H	 Screw	28
C	 Screw 3*10mm	28	I	 Hinge	1
D	 Shelf Pin	16	J	 Hinges	6
E	 Wooden Knob	3	K	 Long Screw 4*35mm	4
F	 Long Screw 1*25mm	3			

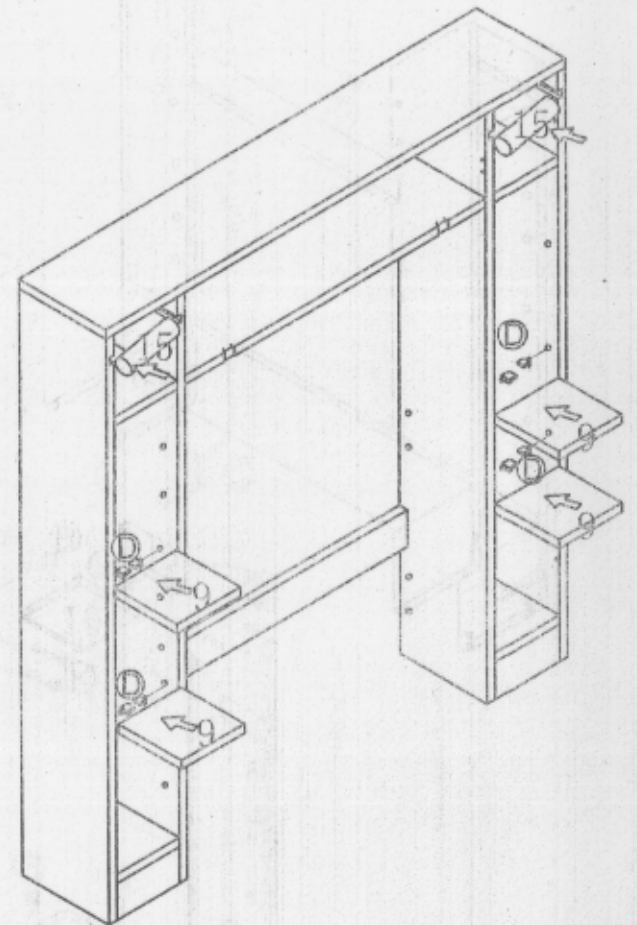
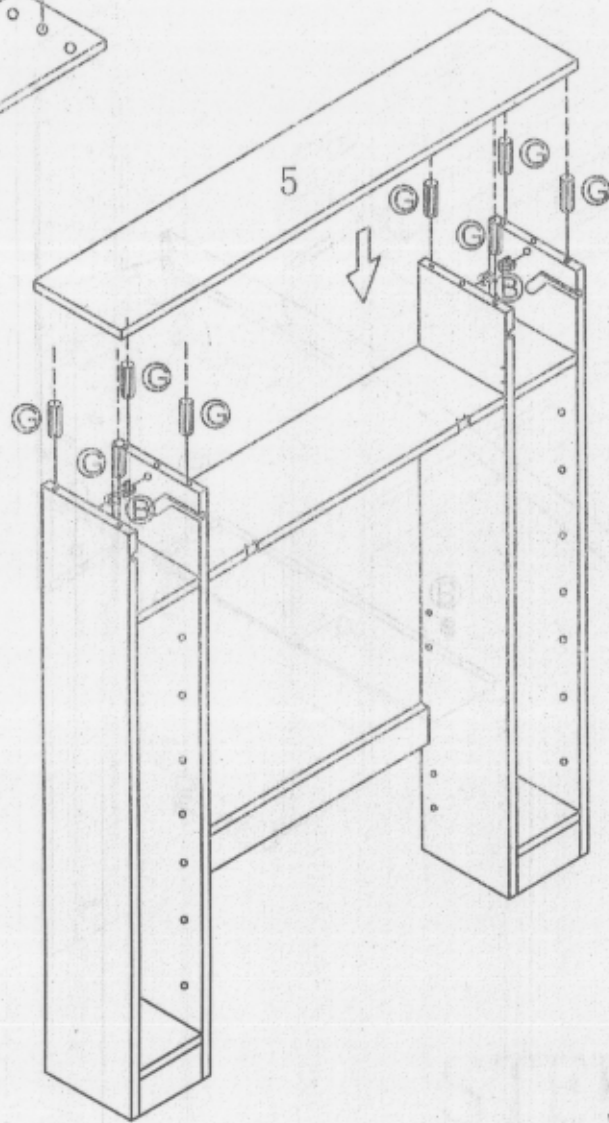
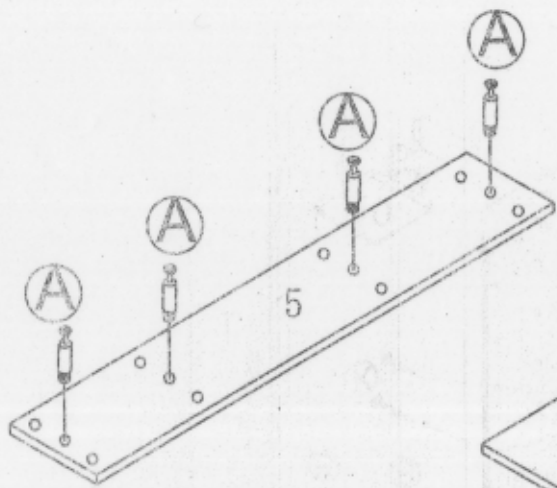
17	 Back Panel	2
----	--	---



STEP 1

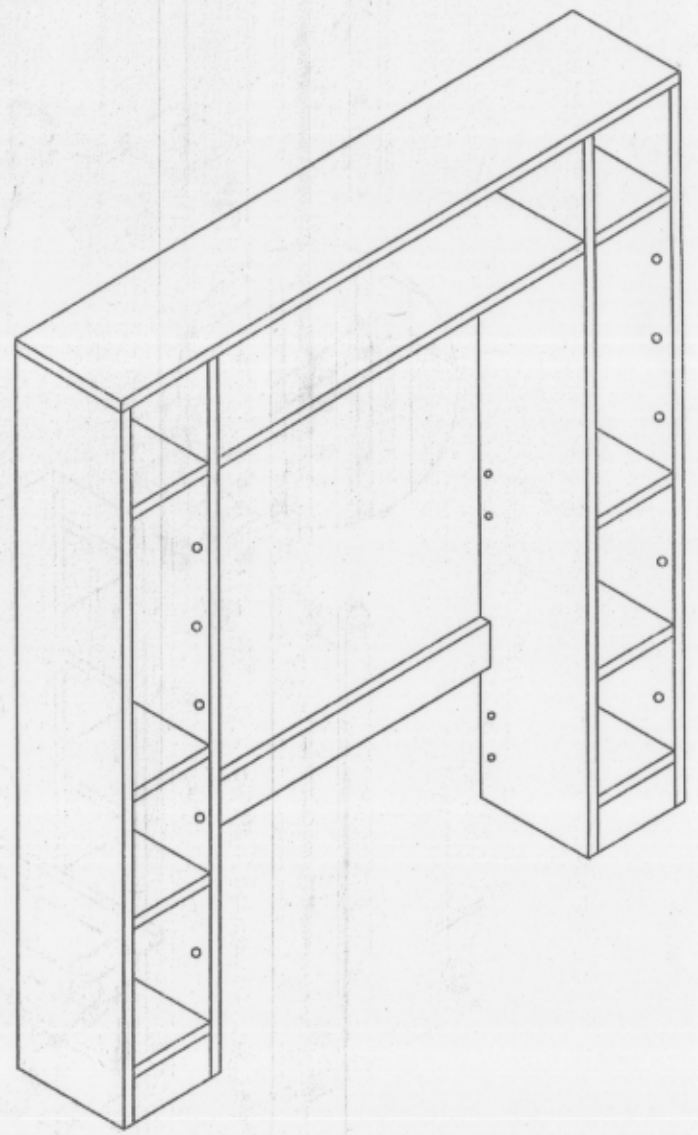
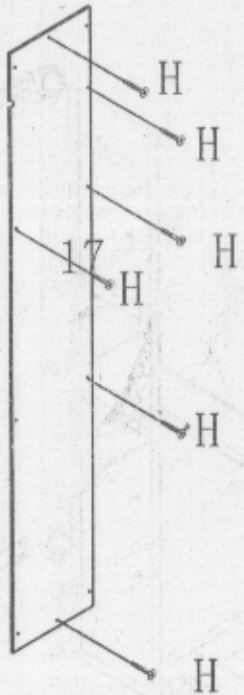
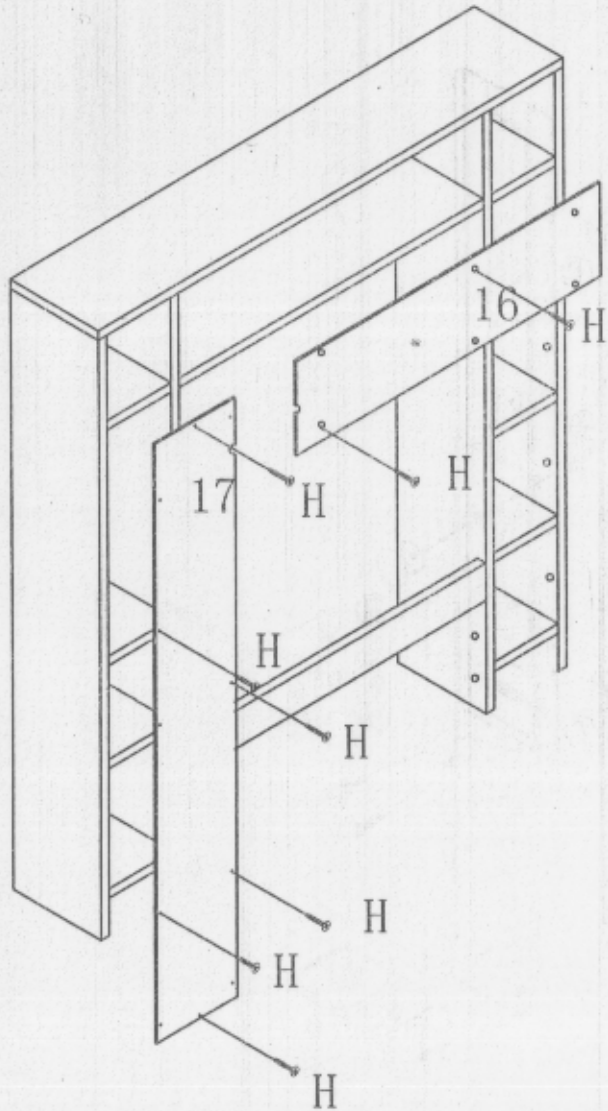


STEP 2

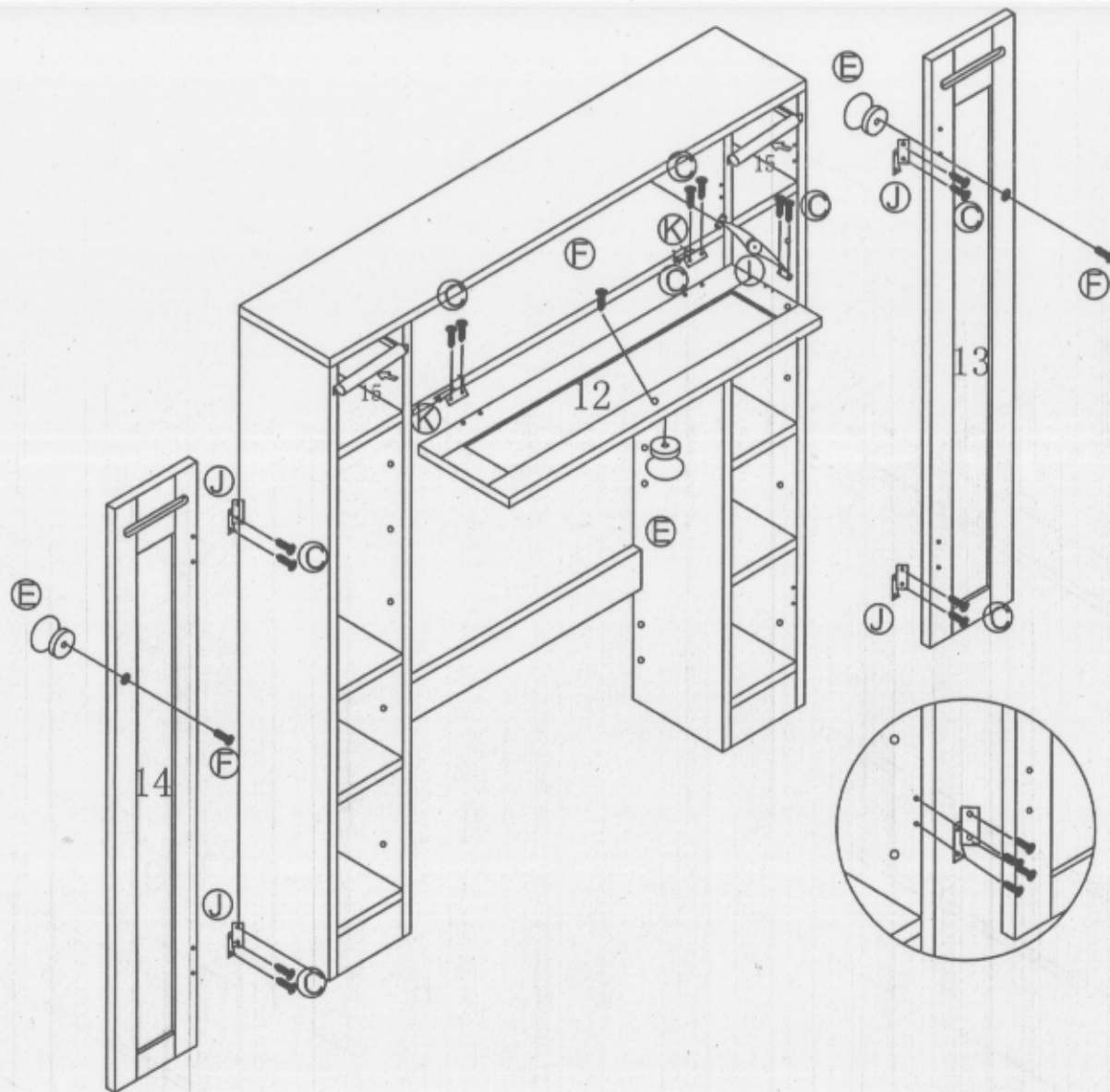


STEP 3

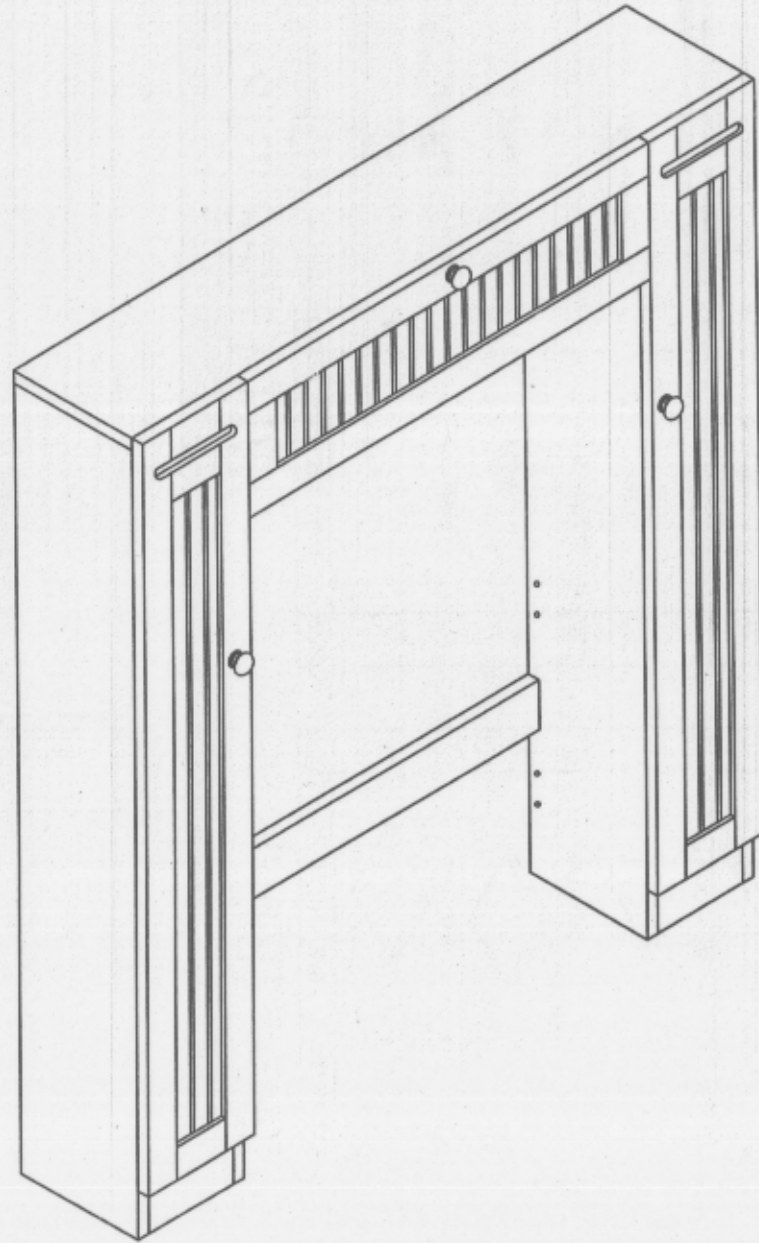
STEP 2



STEP 4



STEP 5



STEP6