

# MESH CHAIR



Instruction Manual

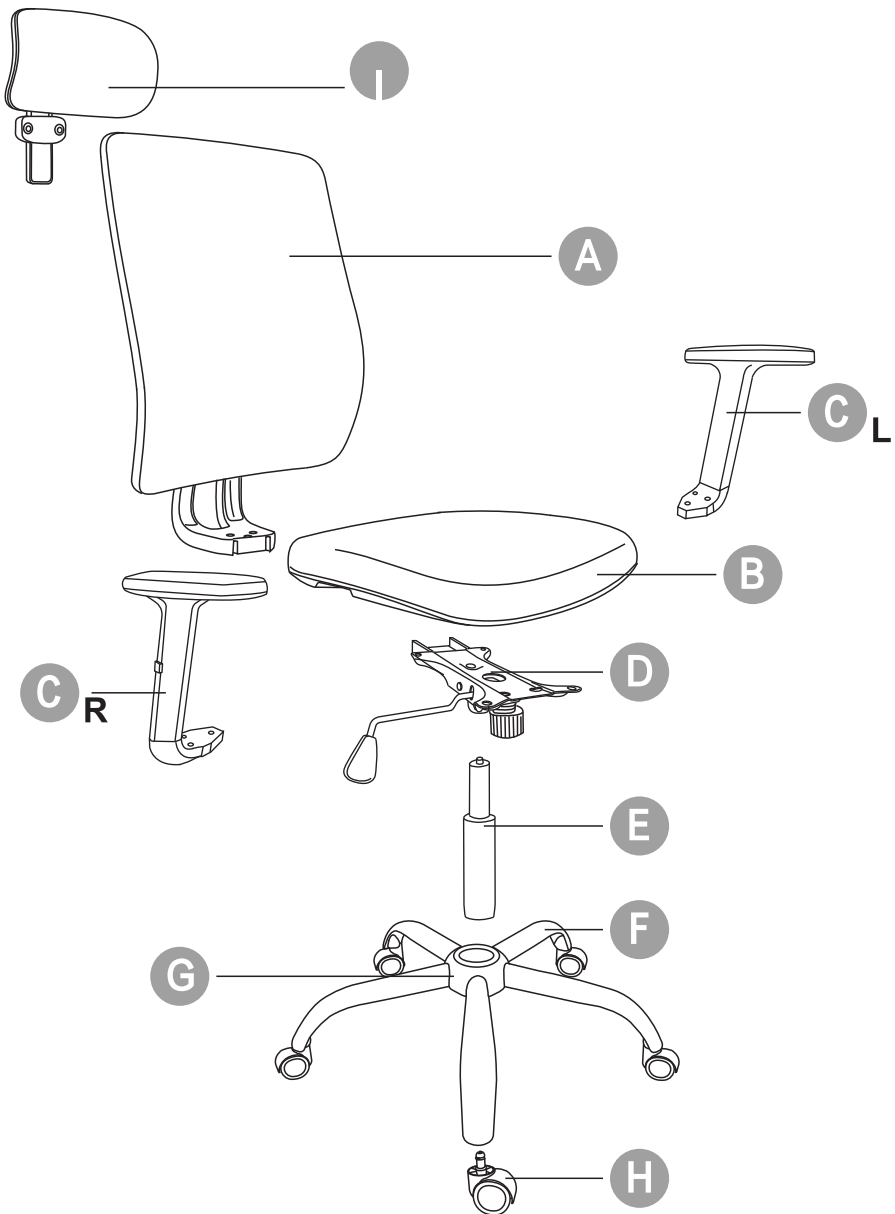
Follow the instructions for the assembly,  
daily care and after-sales service!

---

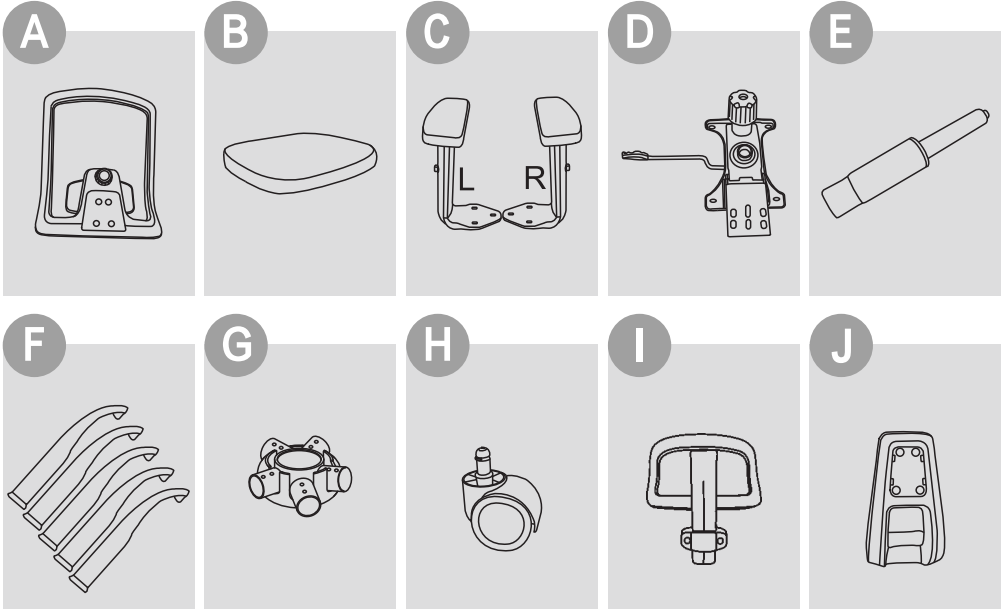
# Notes



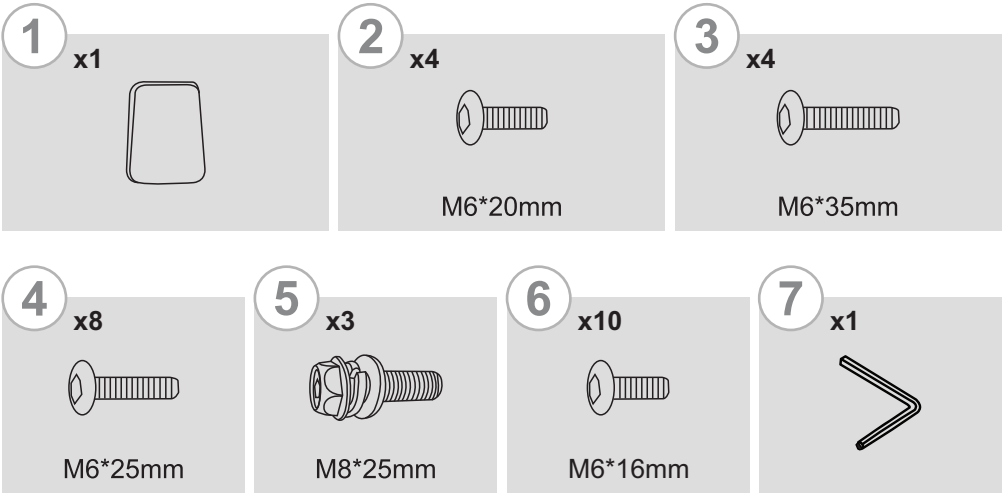
1. Follow the instructions for the assembly.
2. Light patting to get rid of dirt, vacuuming at least once a week, especially to remove the dust between the structures.
3. Do not put the chair in a humid or sun-exposed environment, a dry, ventilated room to avoid direct sunlight is preferred for keeping the chair, so as to prevent premature oxidation and ensure its safety of use and service life.
4. Do not let kids jump or play on it to prevent the injuries of kids and unpredictable damage to the chair.



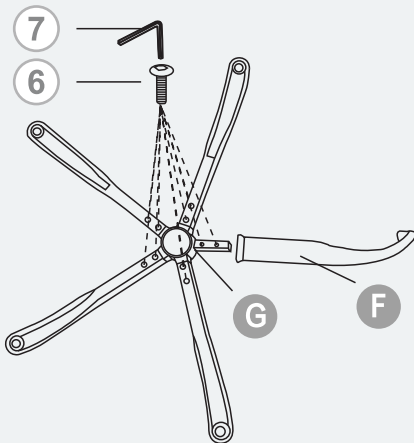
# Parts List



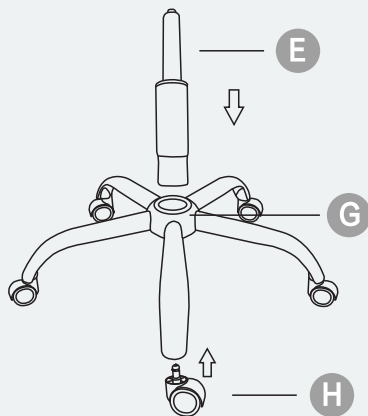
# Hardware List



## Step 1

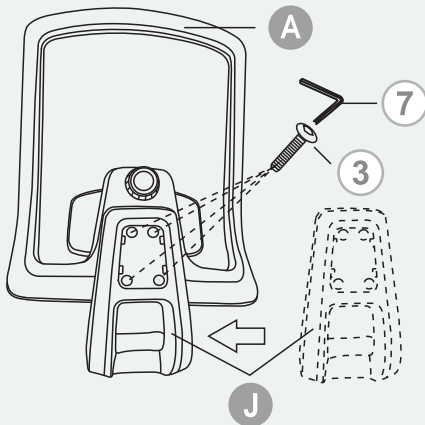


## Step 2

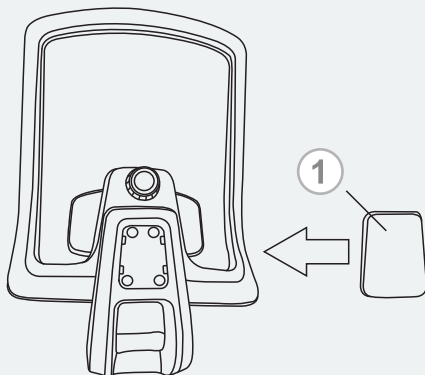




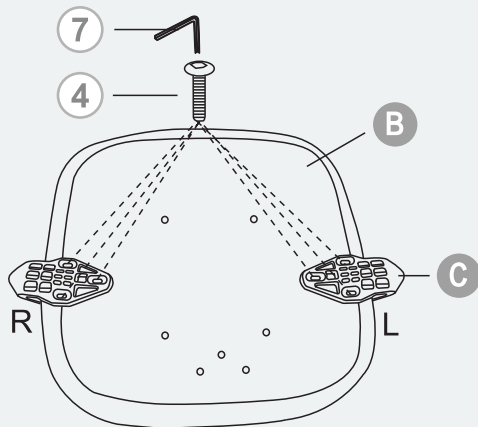
### Step 3



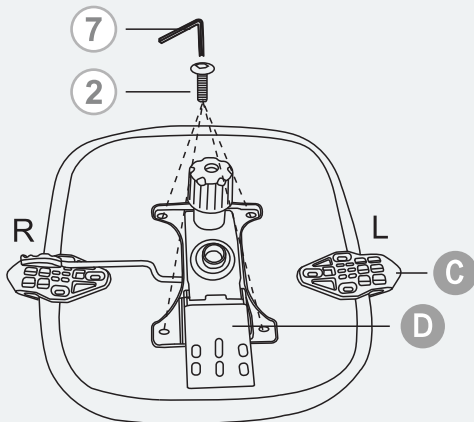
### Step 4



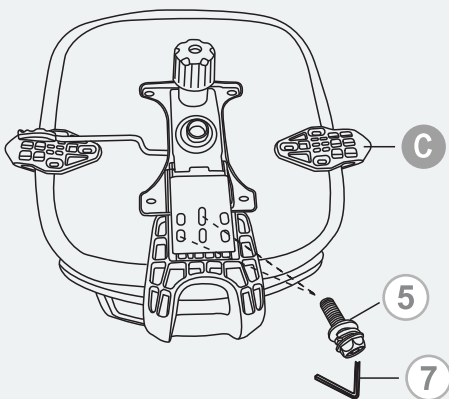
## Step 5



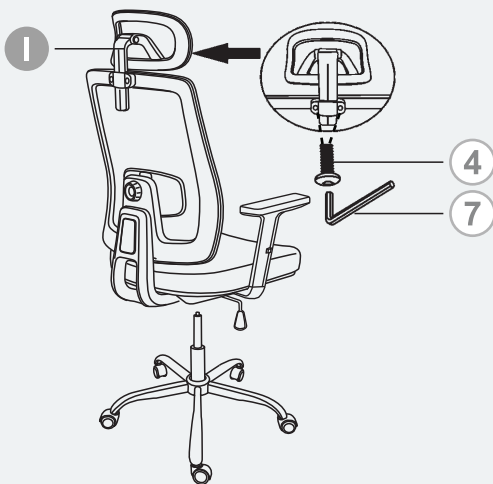
## Step 6



## Step 7



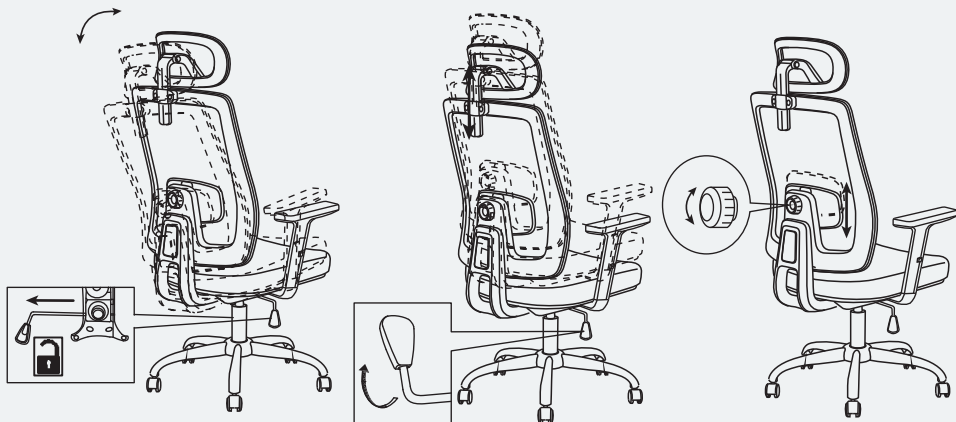
## Step 8



## Step 9



## Feature



## Warning

Seller is responsible for the product-related issues occurred upon receipt, but will not be responsible for the personal injury, property damage or loss resulting from the incorrect assembly, improper use, inadequate maintenance or neglect of this product.