

# ASSEMBLY INSTRUCTIONS



*Fine Furniture for every stage of life*

**(B1&B2)**  
**Dining Table**

REVISION 0 : 05/30/2018  
REVISION 1 : 09/04/2018  
REVISION 2 : 07/01/2020  
REVISION 3 : 10/16/2025

**PAGE 1 OF 5**

# ASSEMBLY INSTRUCTIONS

## ASSEMBLY TIPS:

1. Remove hardware from box and sort by size.
2. Please check to see that all hardware and parts are present prior to start of assembly.
3. Please follow attached instructions in the same sequence as numbered to assure fast & easy assembly.

### WARNING!



1. Don't attempt to repair or modify parts that are broken or defective. Please contact the store immediately.
2. This product is for home use only and not intended for commercial establishments.



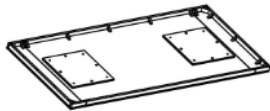
**ASSEMBLY TIME**

**10 MINUTES**

## PARTS IDENTIFICATION

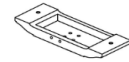
### B1 (BOX 1)

AN TOP



1PC

DN BASE



2PCS

BN LEAF



2PCS

EN CROSSBAR



1PC

CN MOUNTING PLATE



2PCS

### B2 (BOX 2)

FN PEDESTAL COLUMN



2PCS

## HARDWARE IDENTIFICATION

### (BOX 1) - HARDWARE PACK IS LOCATED IN (B1)

1 LONG BOLT  
(5/16" x 45mm - BLK)



12PCS

5 FLAT WASHER  
(5/16" x 22D x 2mm - BLK)



28PCS

2 SHORT BOLT  
(5/16" x 38mm - BLK)



8PCS

6 ALLEN WRENCH  
(4mm - BLK)



1PC

3 HEX NUT  
(5/16" x 12mm - BLK)



8PCS

7 WRENCH  
(12mm - BLK)



1PC

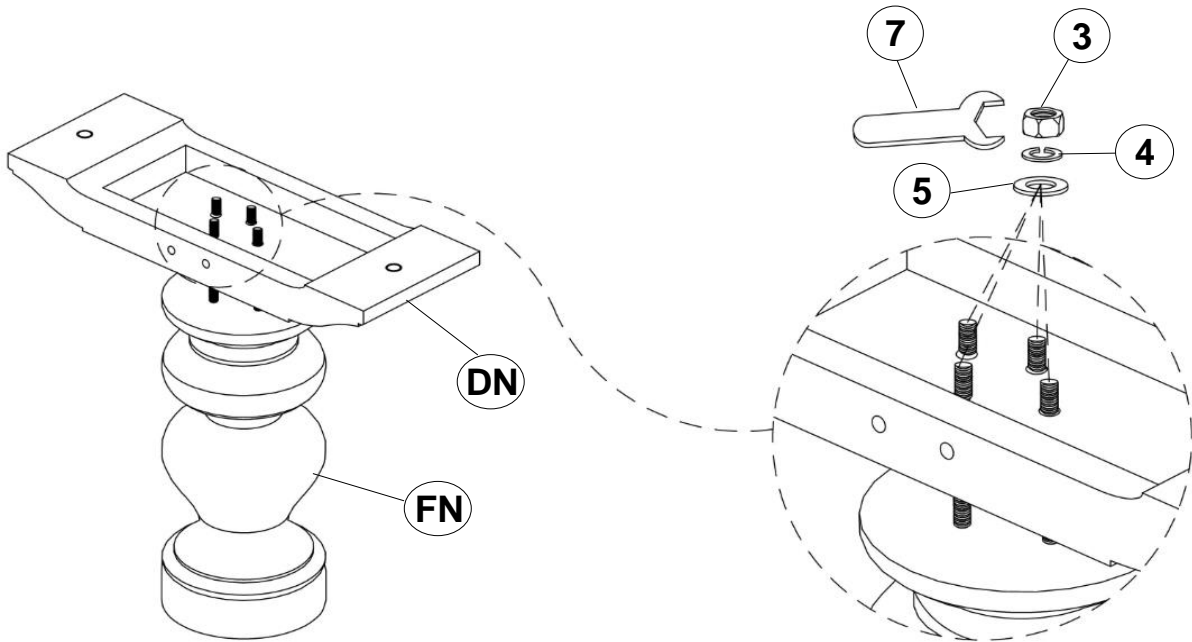
4 LOCK WASHER  
(5/16" x 12D x 1.1mm - BLK)



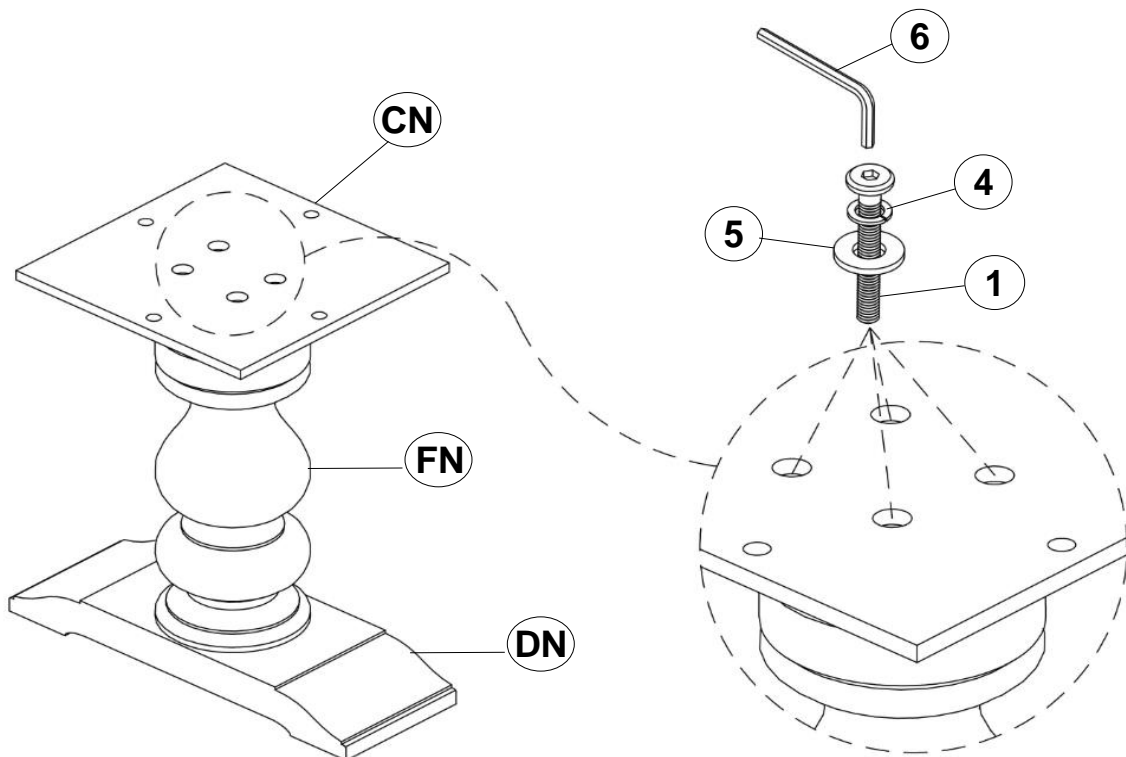
28PCS

# ASSEMBLY INSTRUCTIONS

## STEP 1

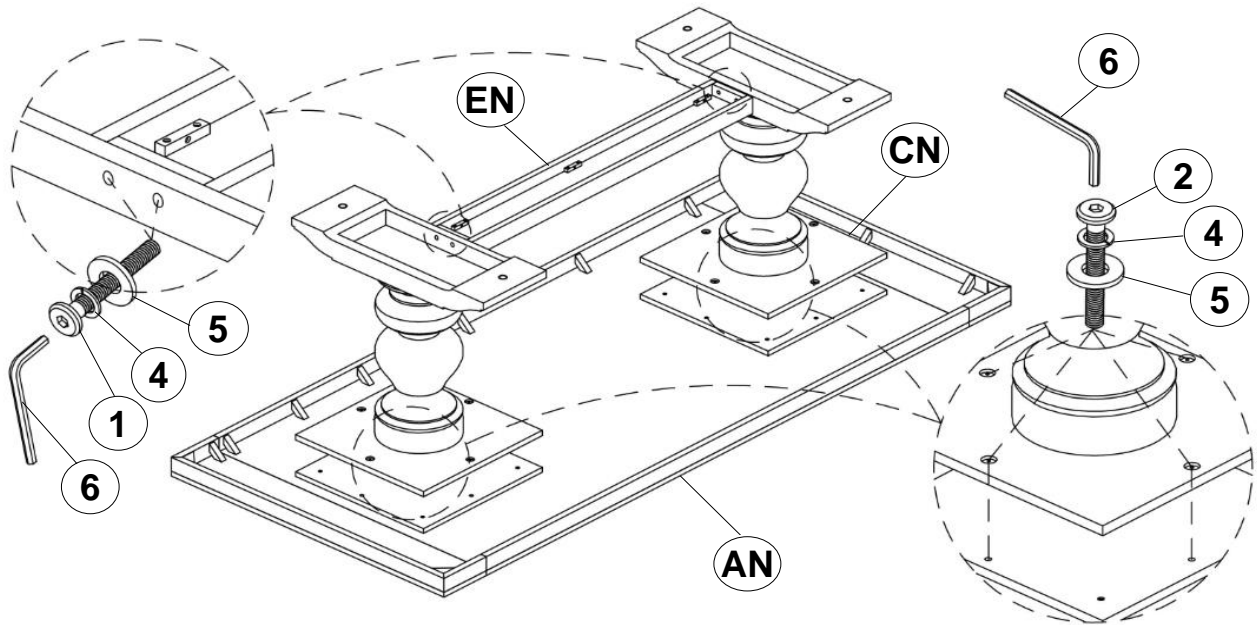


## STEP 2

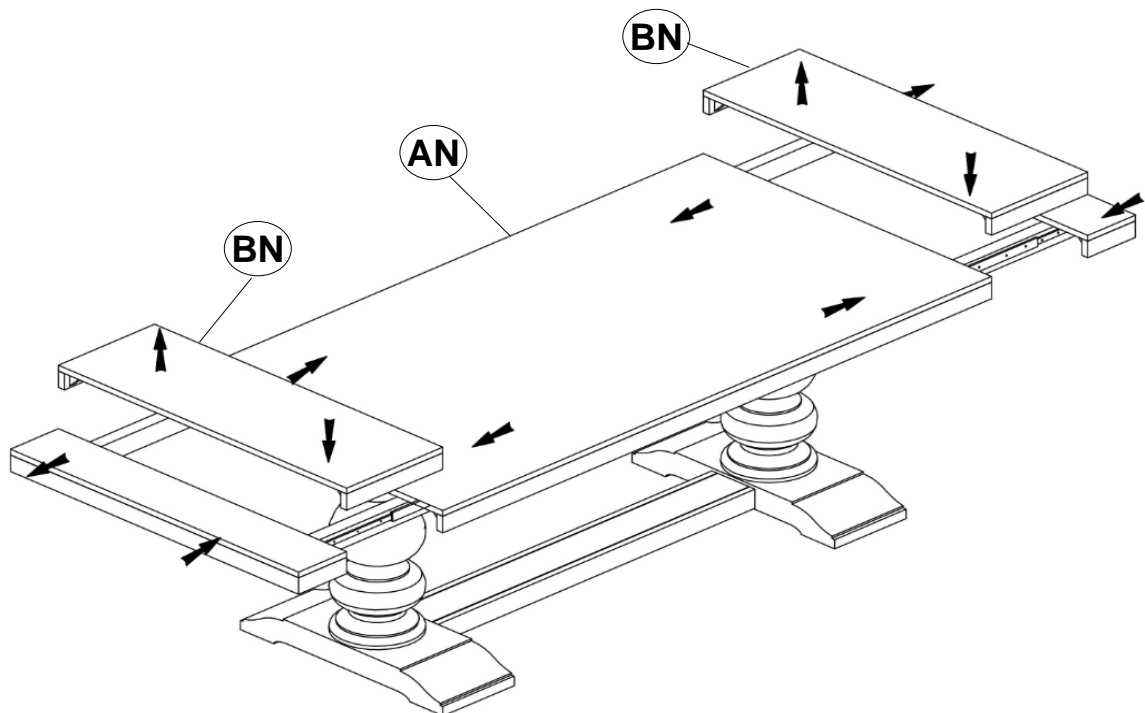


# ASSEMBLY INSTRUCTIONS

## STEP 3

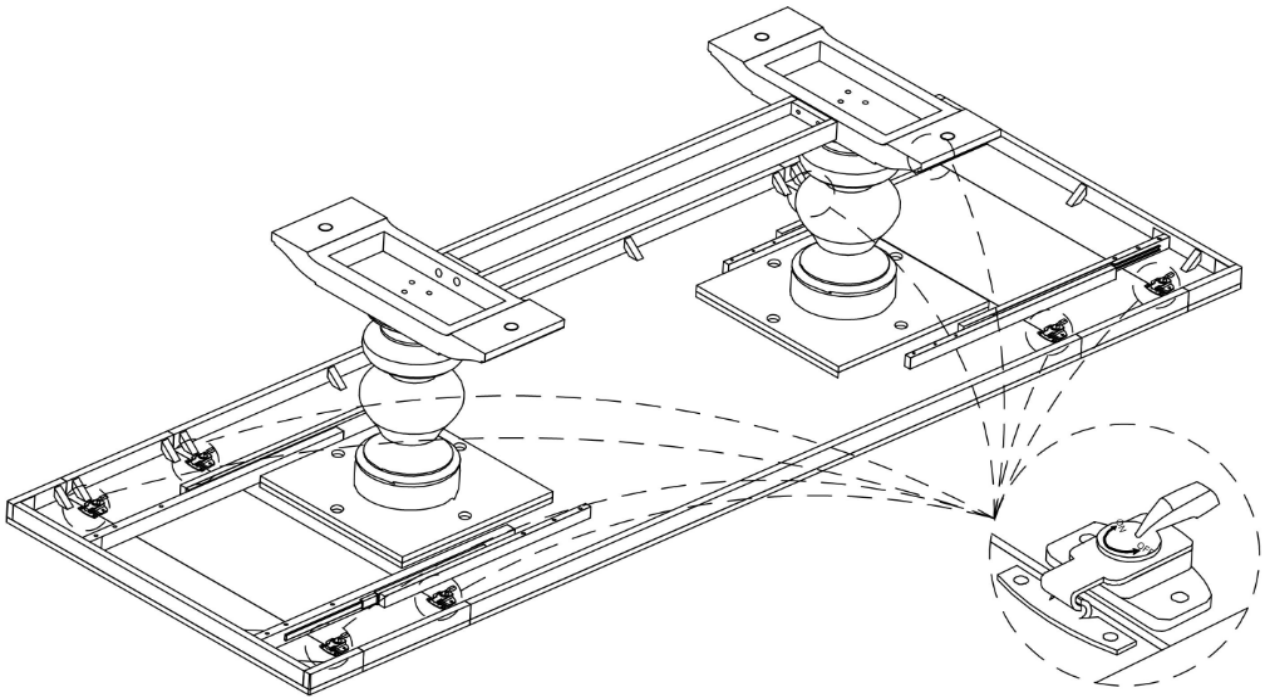


## STEP 4

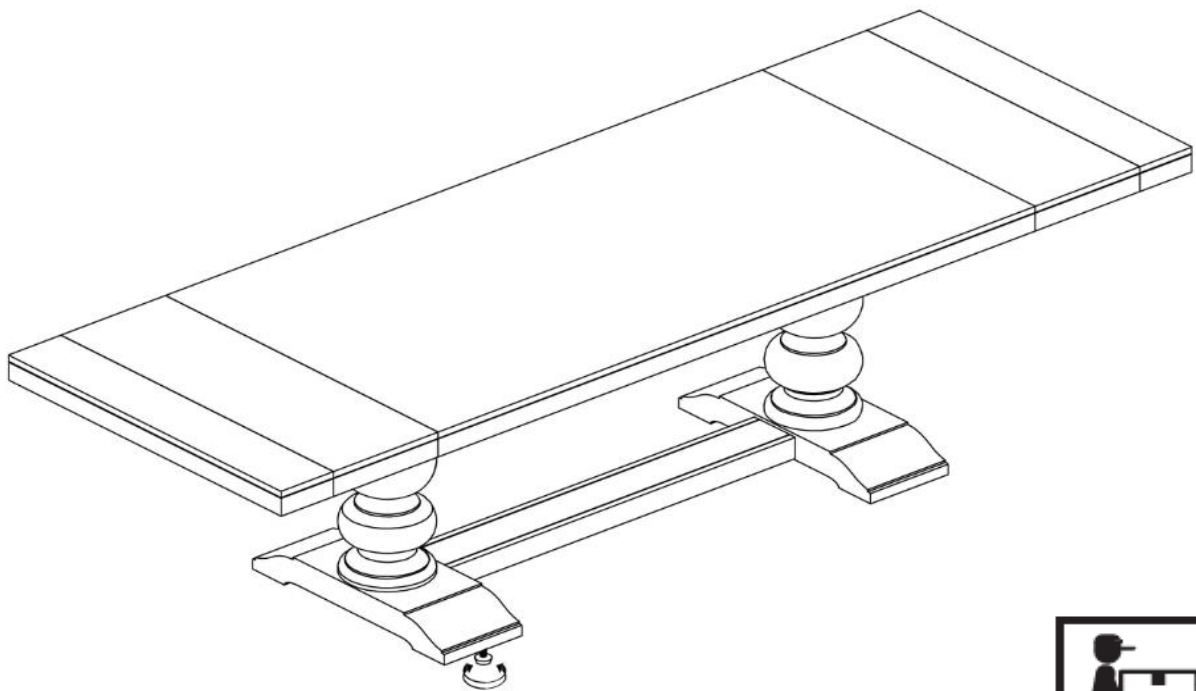


# ASSEMBLY INSTRUCTIONS

## STEP 5

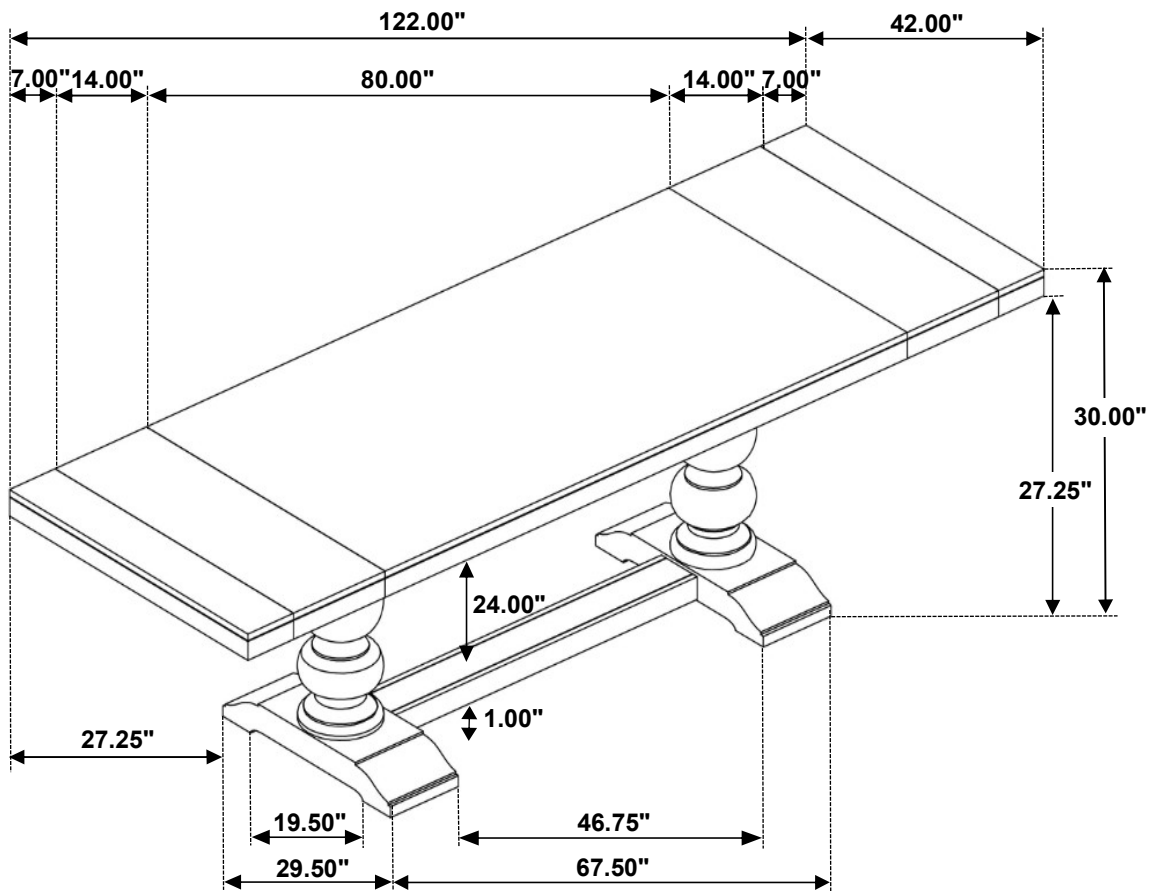


## STEP 6 COMPLETE



ADJUSTABLE LEVELER





**Note: Dimension tolerance  $\pm 5\%$**

# ASSEMBLY INSTRUCTIONS



*Fine Furniture for every stage of life*

**Server**

# ASSEMBLY INSTRUCTIONS

## ASSEMBLY TIPS:

1. Remove hardware from box and sort by size.
2. Please check to see that all hardware and parts are present prior to start of assembly.
3. Please follow attached instructions in the same sequence as numbered to assure fast & easy assembly.



### WARNING!

1. Don't attempt to repair or modify parts that are broken or defective. Please contact the store immediately.
2. This product is for home use only and not intended for commercial establishments.



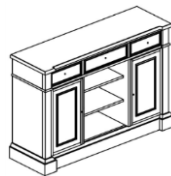
ASSEMBLY TIME

15 MINUTES

## PARTS IDENTIFICATION

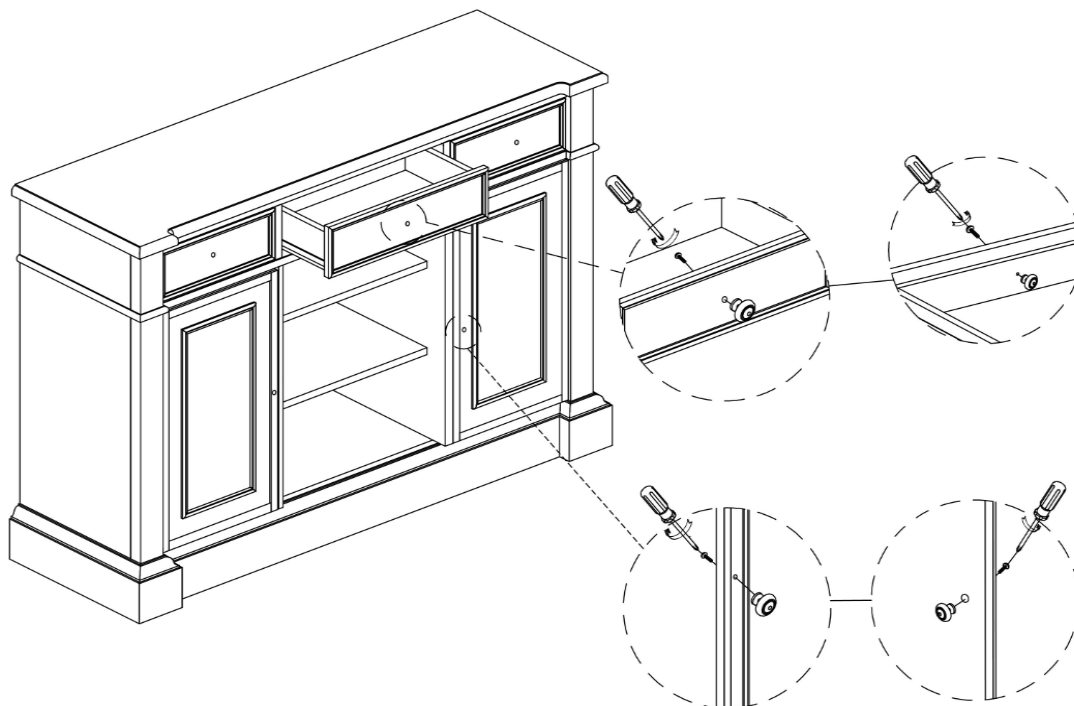
A

SERVER



1PC

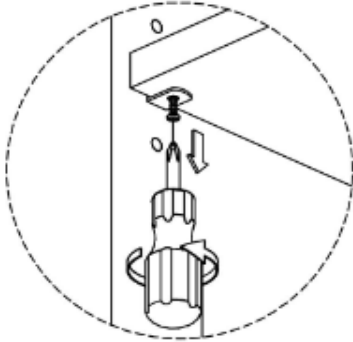
## STEP 1



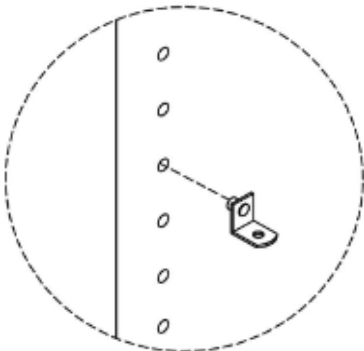
### NOTE:

Phillips head screw driver is required in the assembly process; however, manufacturer does not provide this item.

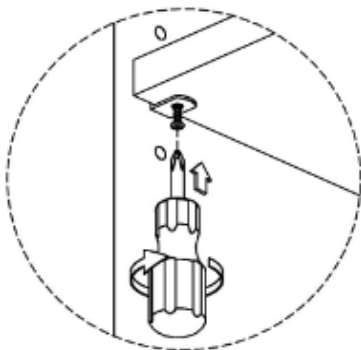
## OPTIONAL ADJUSTABLE SHELF



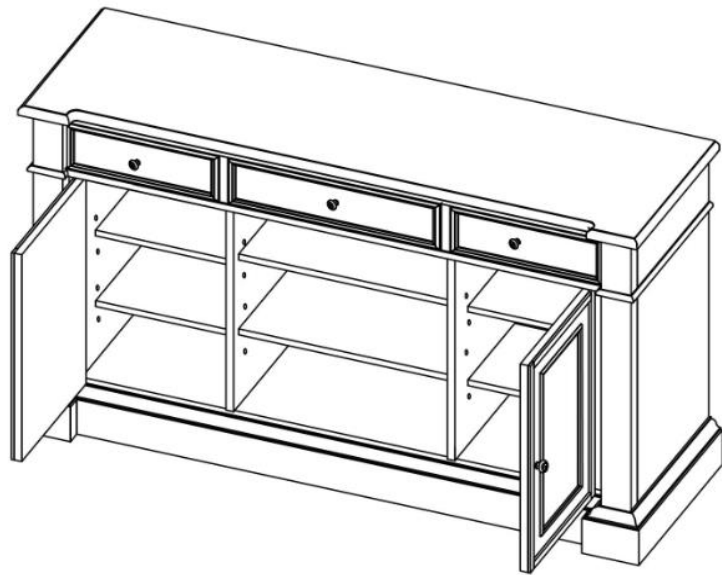
1.1



1.2



1.3

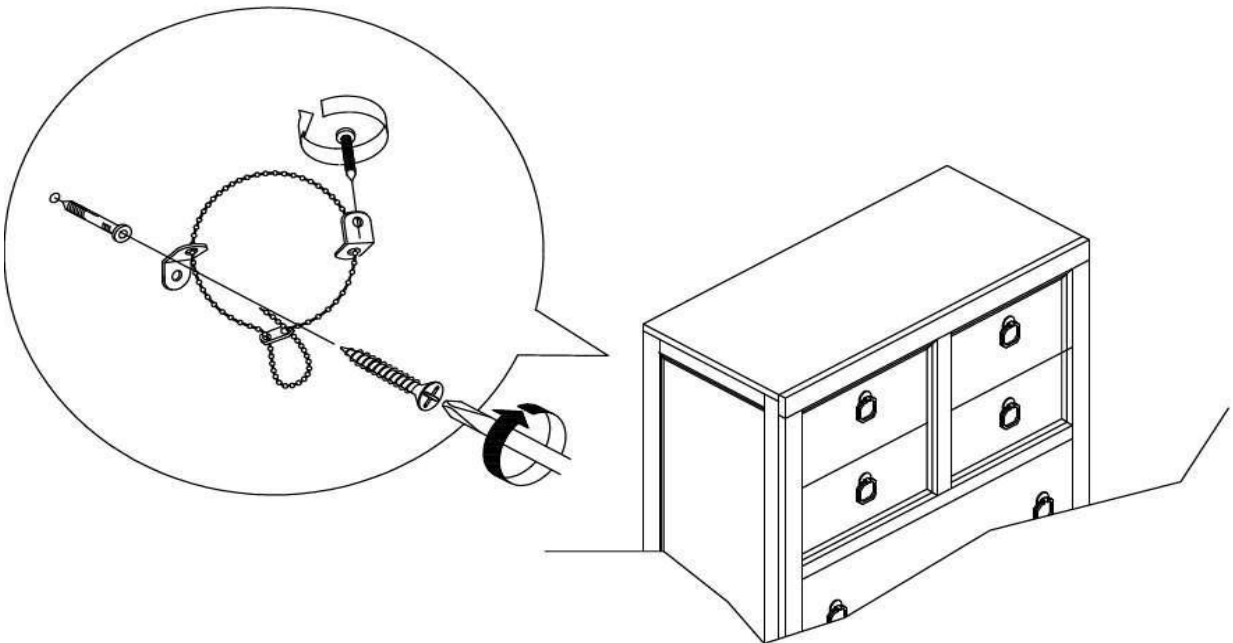


## ANTI-TIPPING INSTALLMENT INSTRUCTIONS FURNITURE TIPPING RESTRAINT

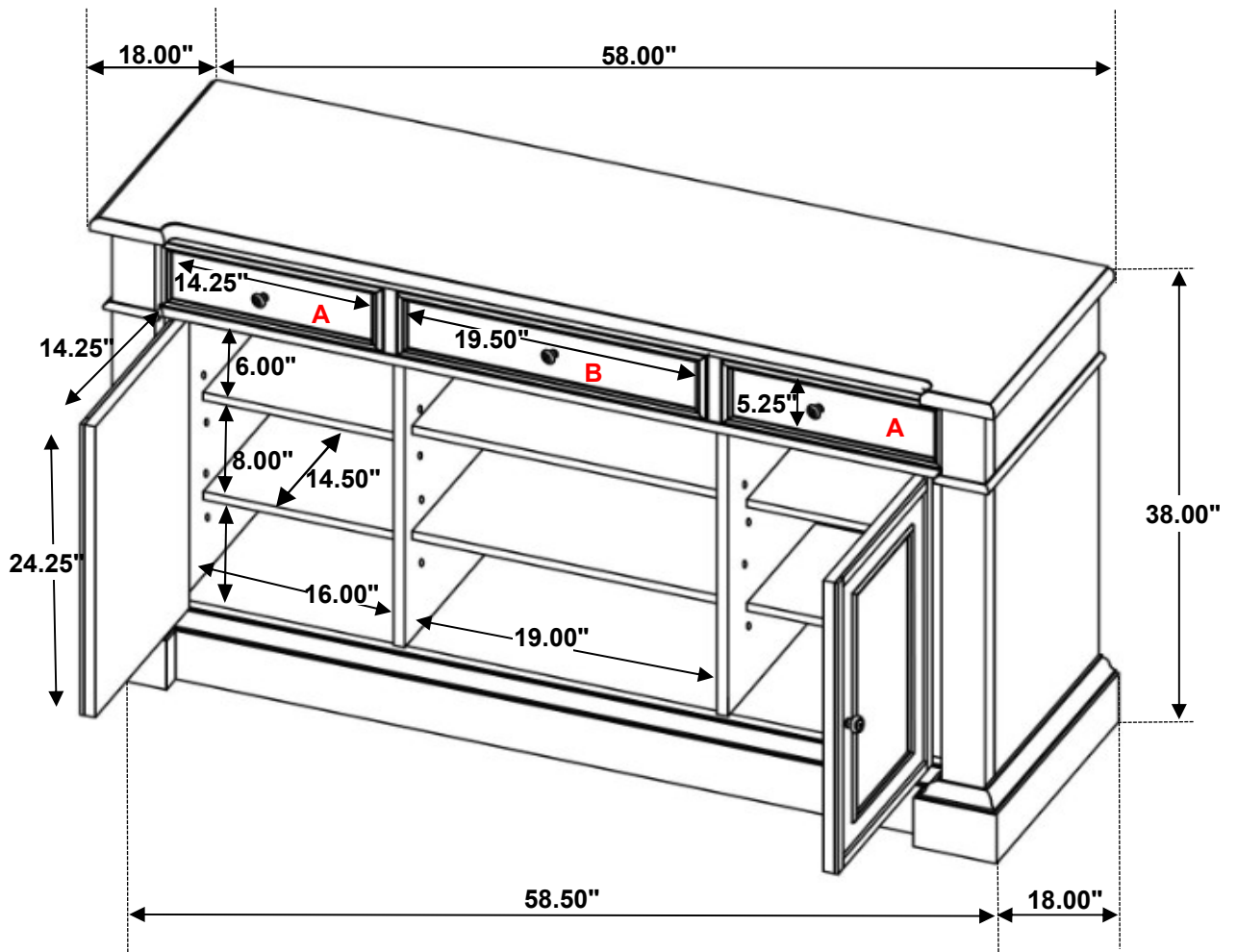
### WARNING

Injury may result from tipping furniture.  
This restraint may protect against tipping furniture.  
Do not allow children to climb on furniture.  
This restraint is not a substitute for proper adult supervision.  
Failure to detach this restraint before moving the furniture may result in injury and damage.

1. Attach one of the mounting brackets securely to the back edge of the furniture. Use the short screw.
2. Determine where the furniture is to be placed and mark location on the wall for the mounting bracketscrew hole approximately 2" below the bracket mounted to the edge of the furniture.
3. Drill a 3/16" hole in the wall. Press the plastic wall plug into the hole and gently tap until the flange onthe wall plug is against the wall surface.
4. Position the bracket over the wall plug and use the long screw to securely attach the bracket to the wall.
5. Place the furniture so the bracket on the back edge is in line with the bracket on the wall.
6. Lace an end of the cable tie down through each bracket. Bring both ends together and slide the beaded end of the cable tie through the keyhole shaped slot on the other end until snug. Pull down onthe beaded end until it snap locks into the keyhole slot.
7. To double lock return the beaded end back through the keyhole as shown.
8. Check to make sure the cable tie is securely laced and locked to the brackets.



Inner Size of Drawer A : 12.50"W X 12.50"D X 4.00"H X 0.50"T  
Inner Size of Drawer B : 17.75"W X 12.50"D X 4.00"H X 0.50"T



Note: Dimension tolerance  $\pm 5\%$

# ASSEMBLY INSTRUCTIONS



*Fine Furniture for every stage of life*

***Dining Chair***

# ASSEMBLY INSTRUCTIONS

## ASSEMBLY TIPS:

1. Remove hardware from box and sort by size.
2. Please check to see that all hardware and parts are present prior to start of assembly.
3. Please follow attached instruction in the same sequence as numbered to assure fast and easy assembly.



## WARNING !

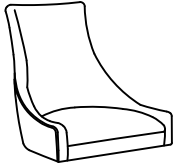
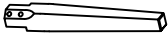

1. Don't attempt to repair or modify parts that are broken or defective. Please contact the store immediately.
2. This product is for home use only and not intended for commercial establishment.







ASSEMBLY TIME

15 MINUTES

## PARTS IDENTIFICATION

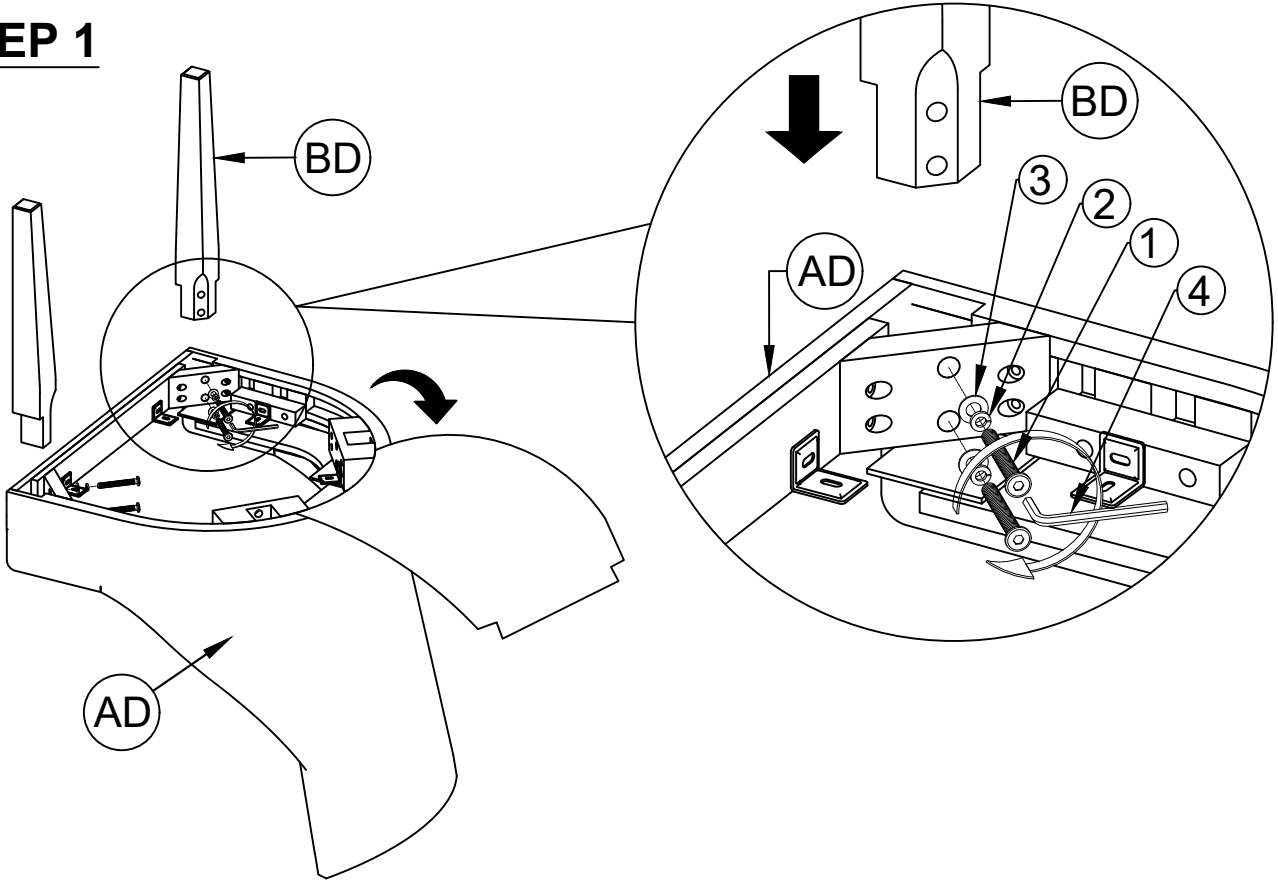
AD	SEAT AND BACK		1PC
BD	FRONT LEG		2PCS
CD	BACK LEG		2PCS

## HARDWARE IDENTIFICATION

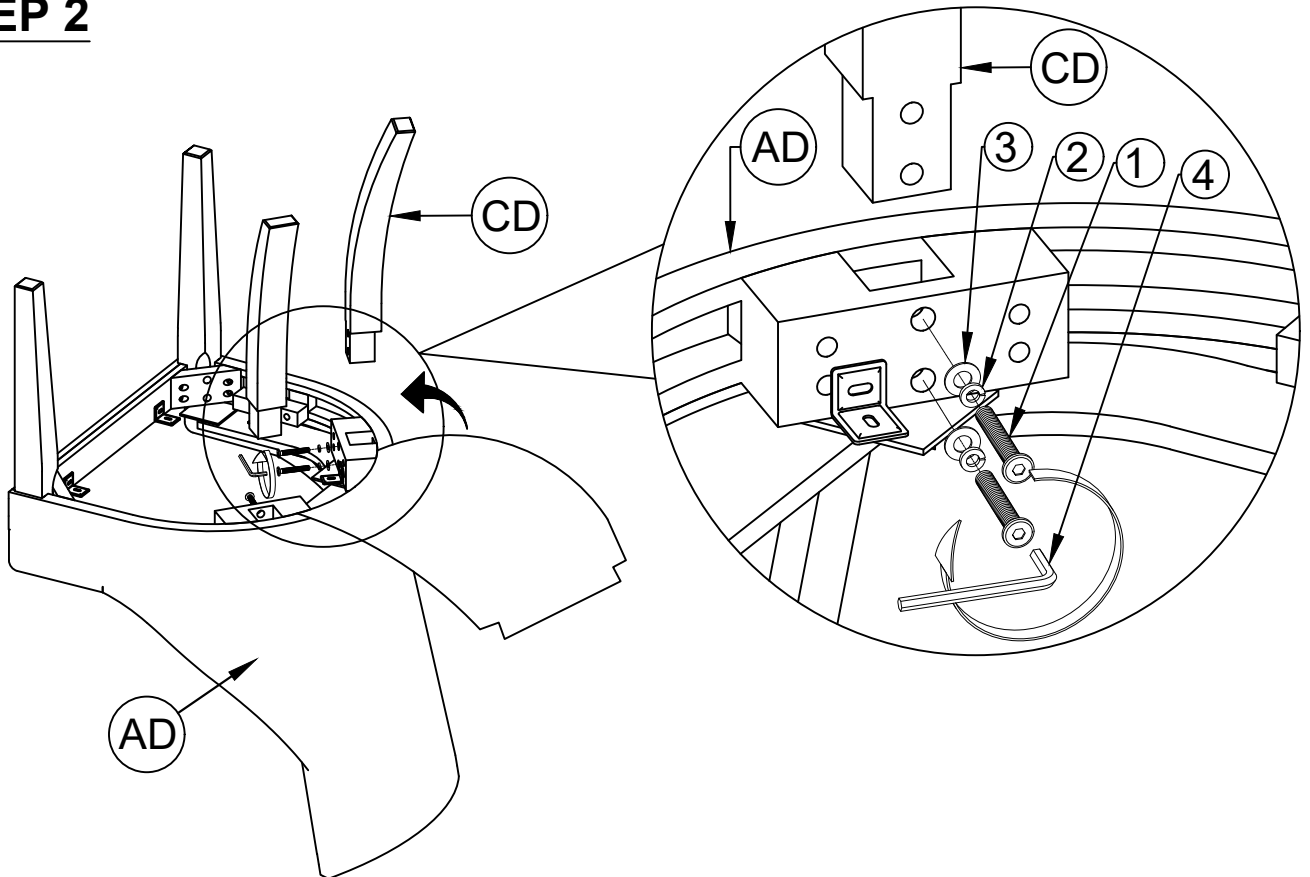
1	LONG BOLT (M8 x 60mm - BLK)		8PCS
2	LOCK WASHER (M8 - BLK)		8PCS
3	FLAT WASHER (M8 - BLK)		8PCS
4	ALLEN WRENCH (M5 - BLK)		1PC

# ASSEMBLY INSTRUCTIONS

## STEP 1



## STEP 2



# ASSEMBLY INSTRUCTIONS

## STEP 3

## COMPLETE

