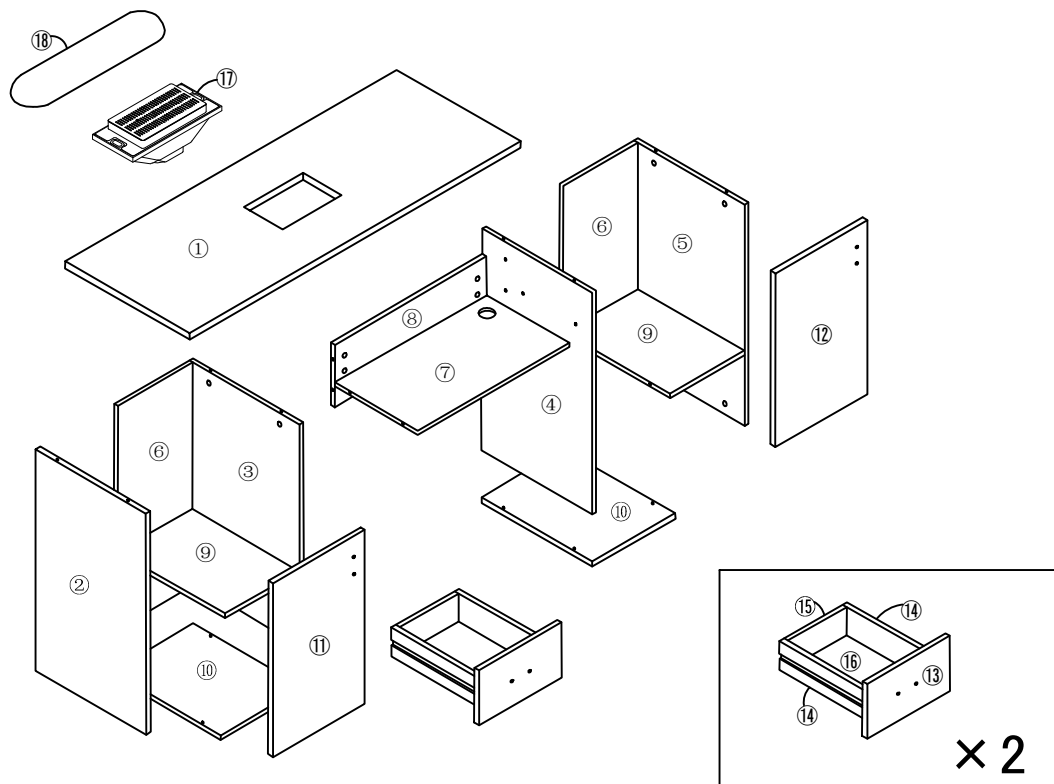
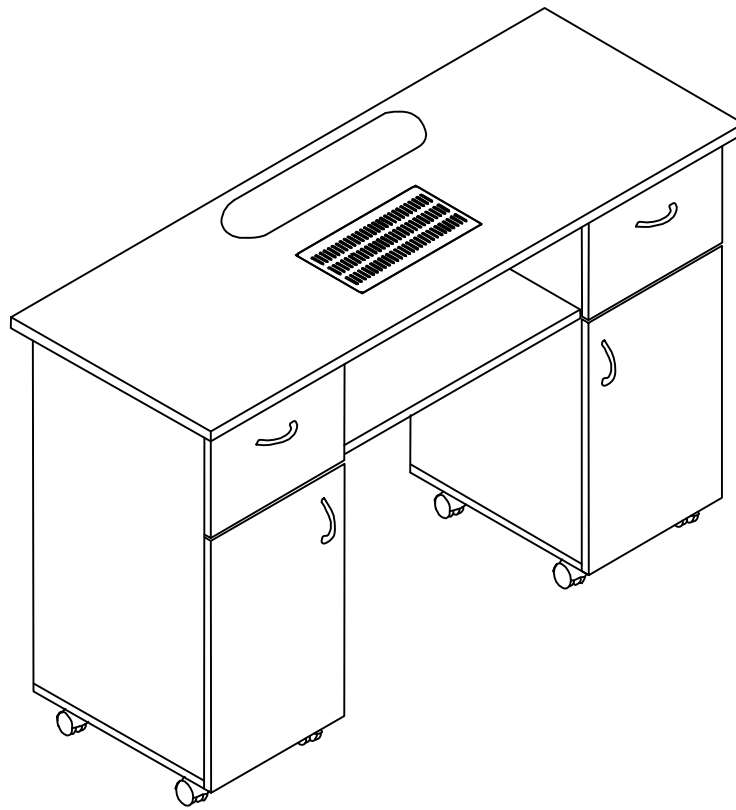
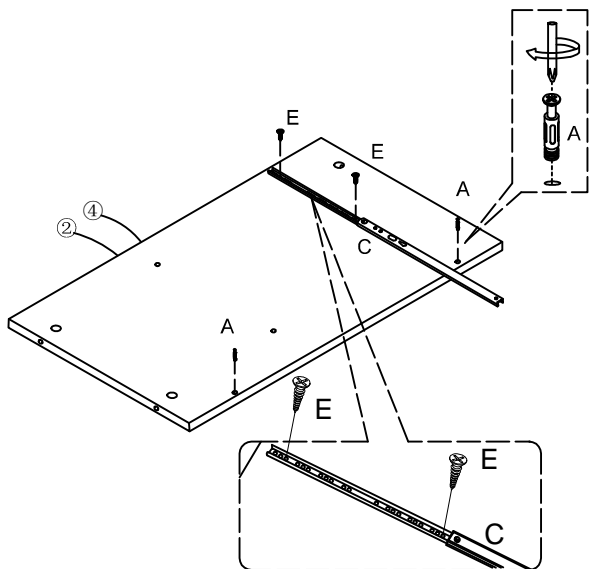


Assembly Drawing

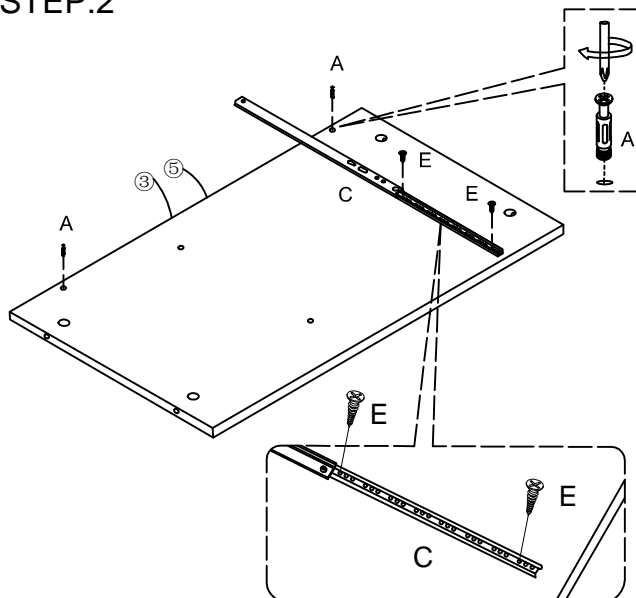
MT-A



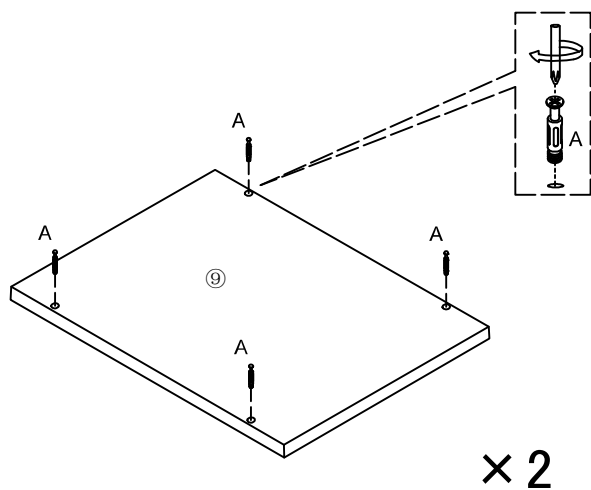
STEP:1



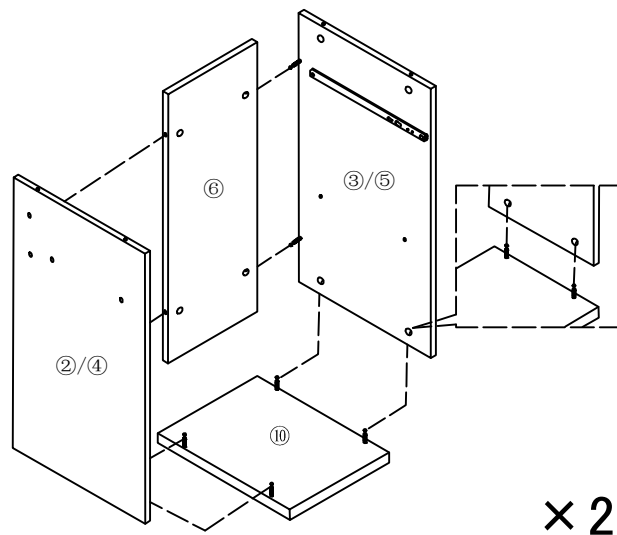
STEP:2



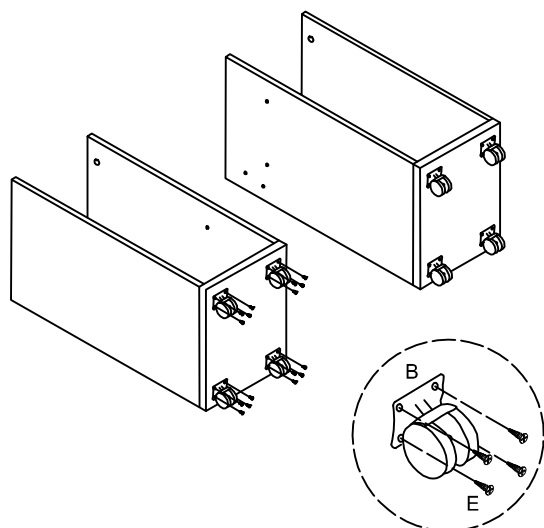
STEP:3



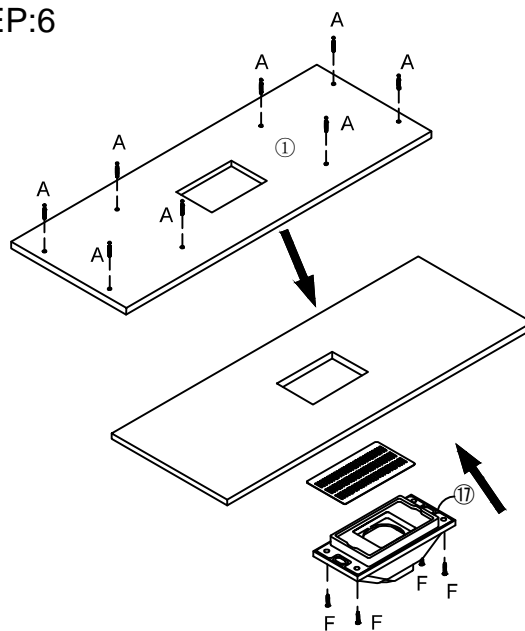
STEP:4



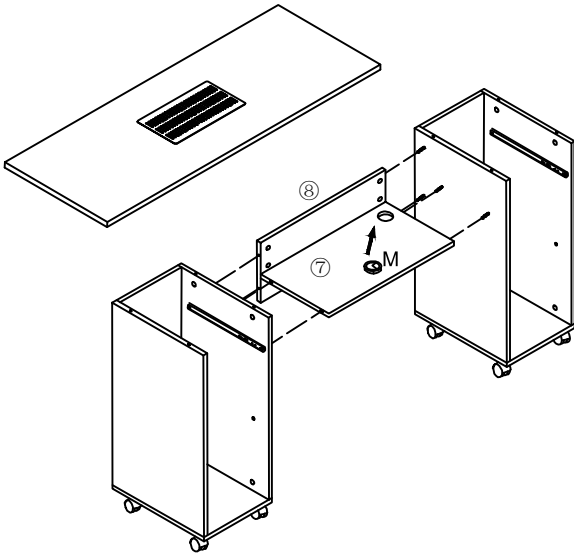
STEP:5



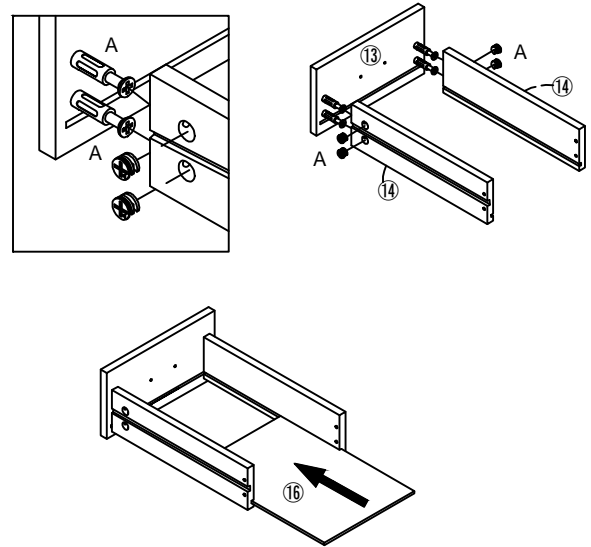
STEP:6



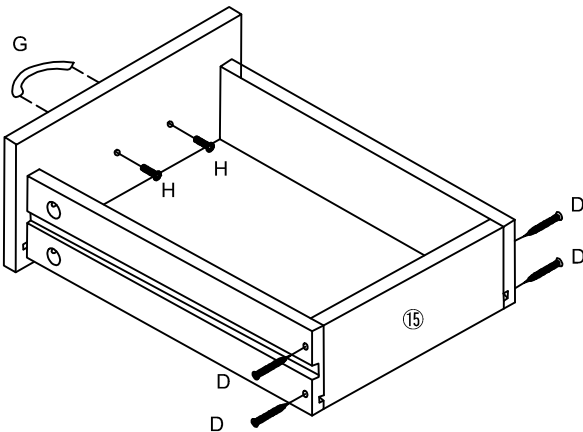
STEP:7



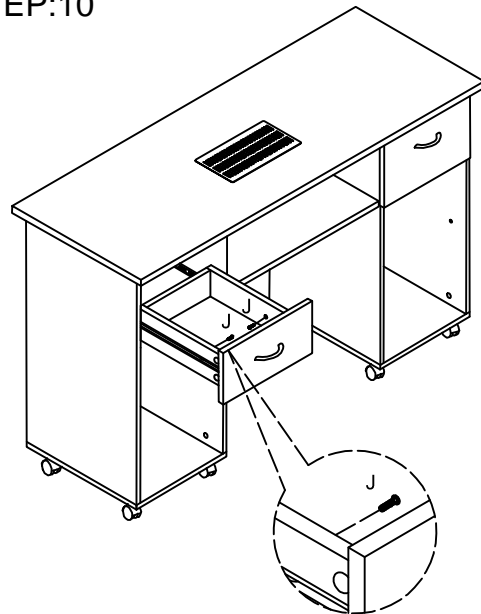
STEP:8



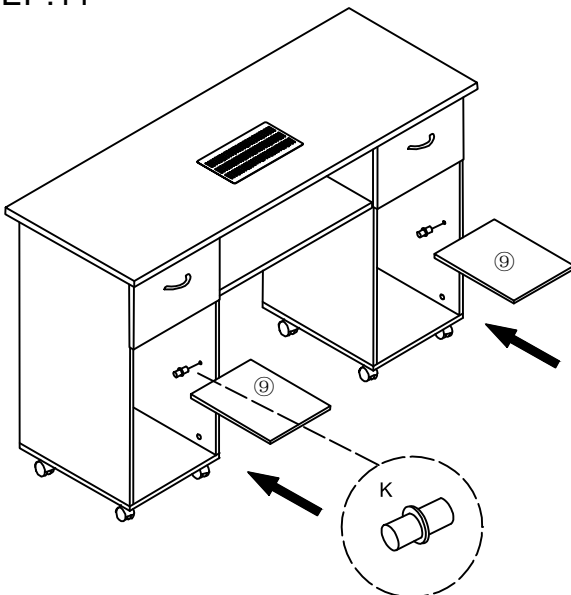
STEP:9



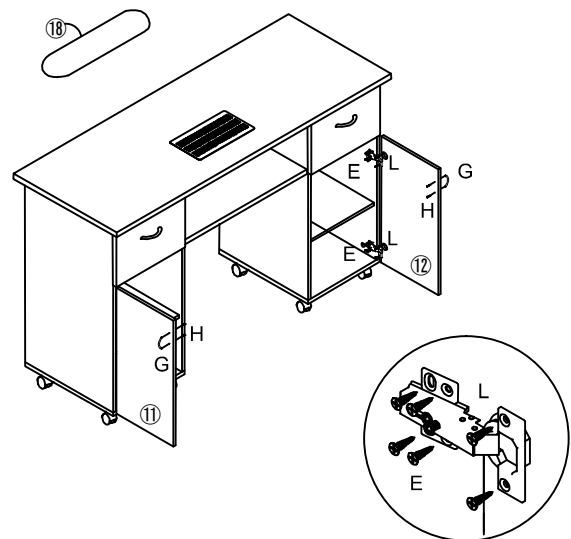
STEP:10



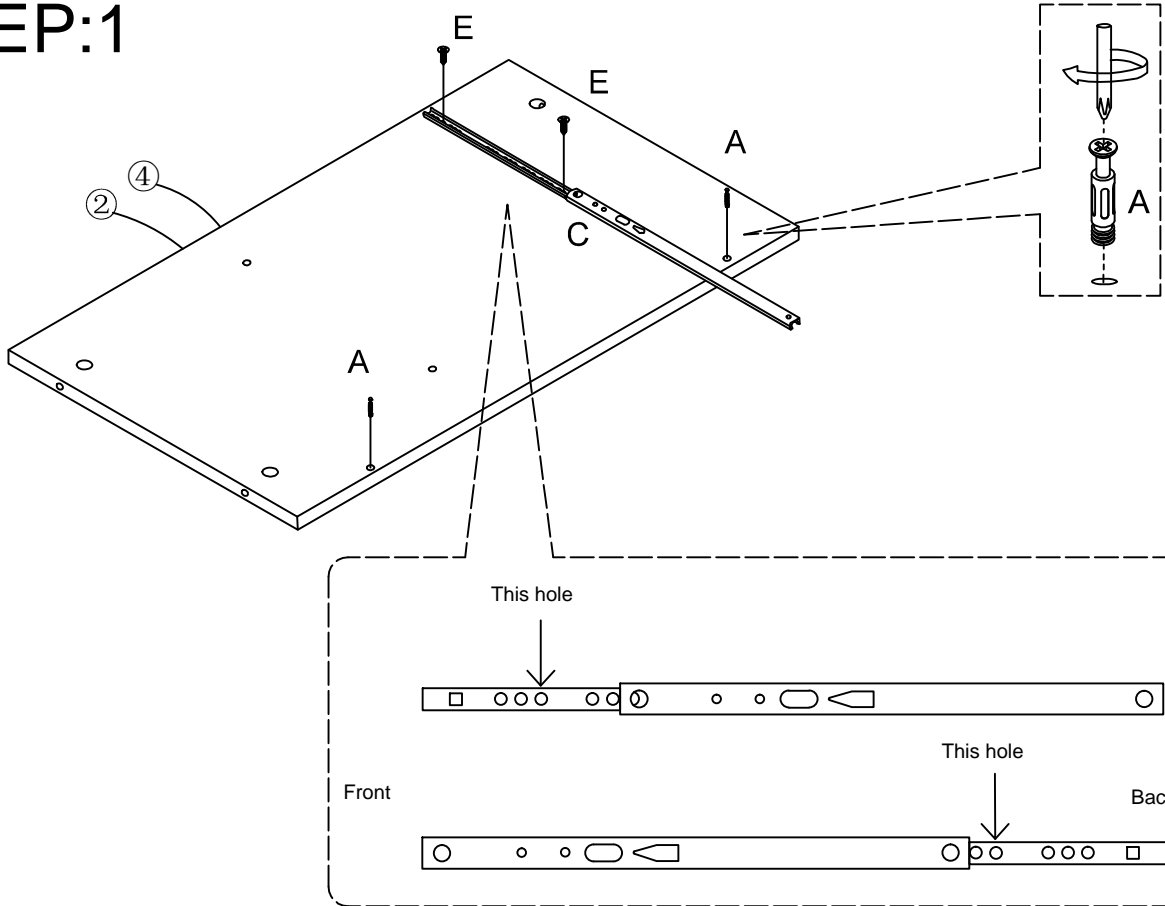
STEP:11



STEP:12



STEP:1



STEP:2

