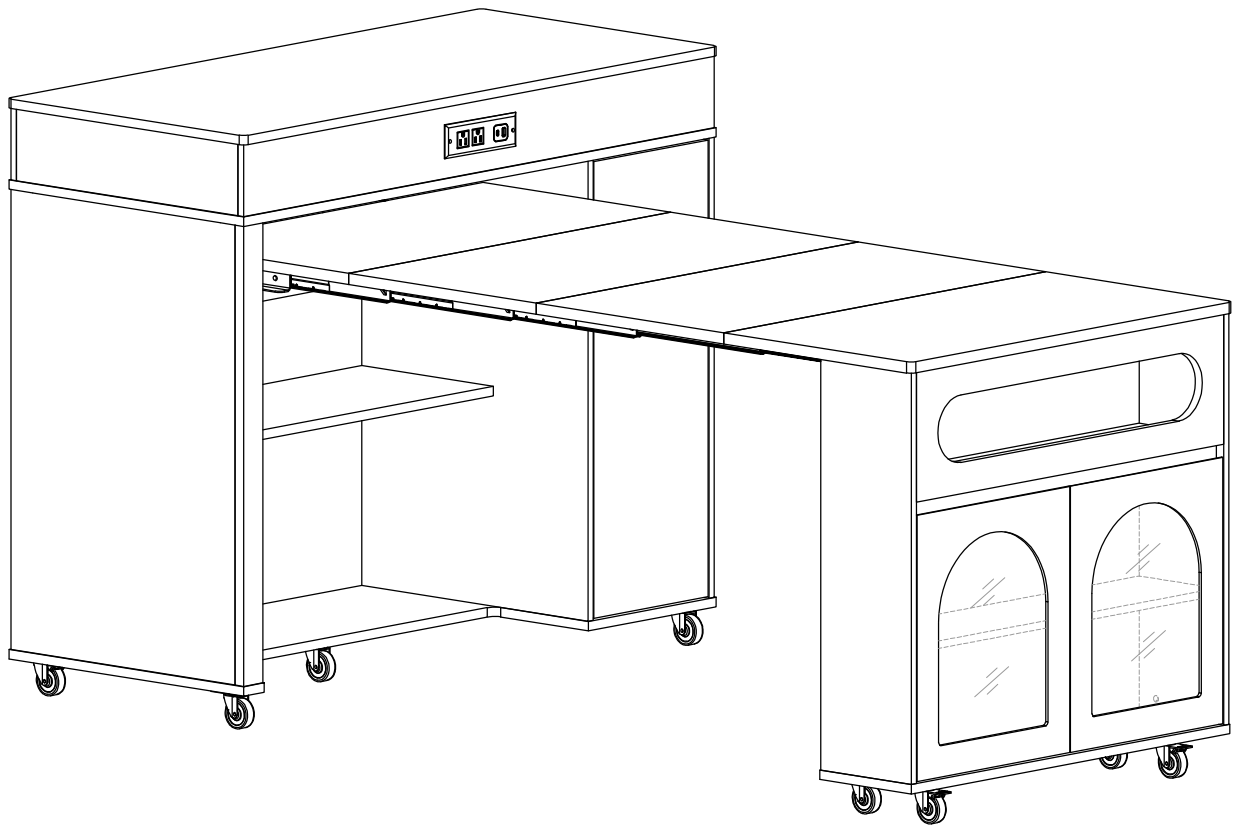


ASSEMBLY INSTRUCTION

EXTENDABLE TABLE



ASSEMBLY INSTRUCTION

Important - Please read these instructions fully before starting assembly

- Check you have all the components and tools listed on the following pages.
- Remove all fittings from the plastic bags and separate them into their groups.
- Keep children and animals away from the work area, small parts could choke if swallowed.
- Make sure you have enough space to layout the parts before starting.

- During assembly do not stand or put weight on the product, this could cause damage.
- Assemble the item as close to its final position (in the same room) as possible.
- Assemble on a soft level surface to avoid damaging the unit or your floor.
- Parts of the assembly will be easier with 2 people.



To reduce the likelihood of damaging your product please ensure that your power drill is set on low torque setting.

Care and maintenance

- Only clean using a damp cloth and mild detergent, do not use bleach or abrasive cleaners.
- From time to time check that there are no loose screws on this unit.
- This product should not be discarded with household waste. Take to your local authority waste disposal centre.

Handy Hints

- Assemble all parts and bolts loosely during assembly, only once the product is complete should you fully tighten the bolts
- Regularly check and ensure that all bolts and fittings are tightened properly.

WARNING

In order to help prevent overturning - please follow these instructions

To help prevent product toppling over please follow the below steps:-

Use the anti tip strap or wall fixing method provided (if applicable)

Do not allow children to climb or hang on the furniture

Do not open more than one drawer at a time

Do not place heavy items in the top drawers

Do not place heavy items on top of the furniture, unless the furniture has been designed for this purpose

Please note that only the anti tip strap is provided.

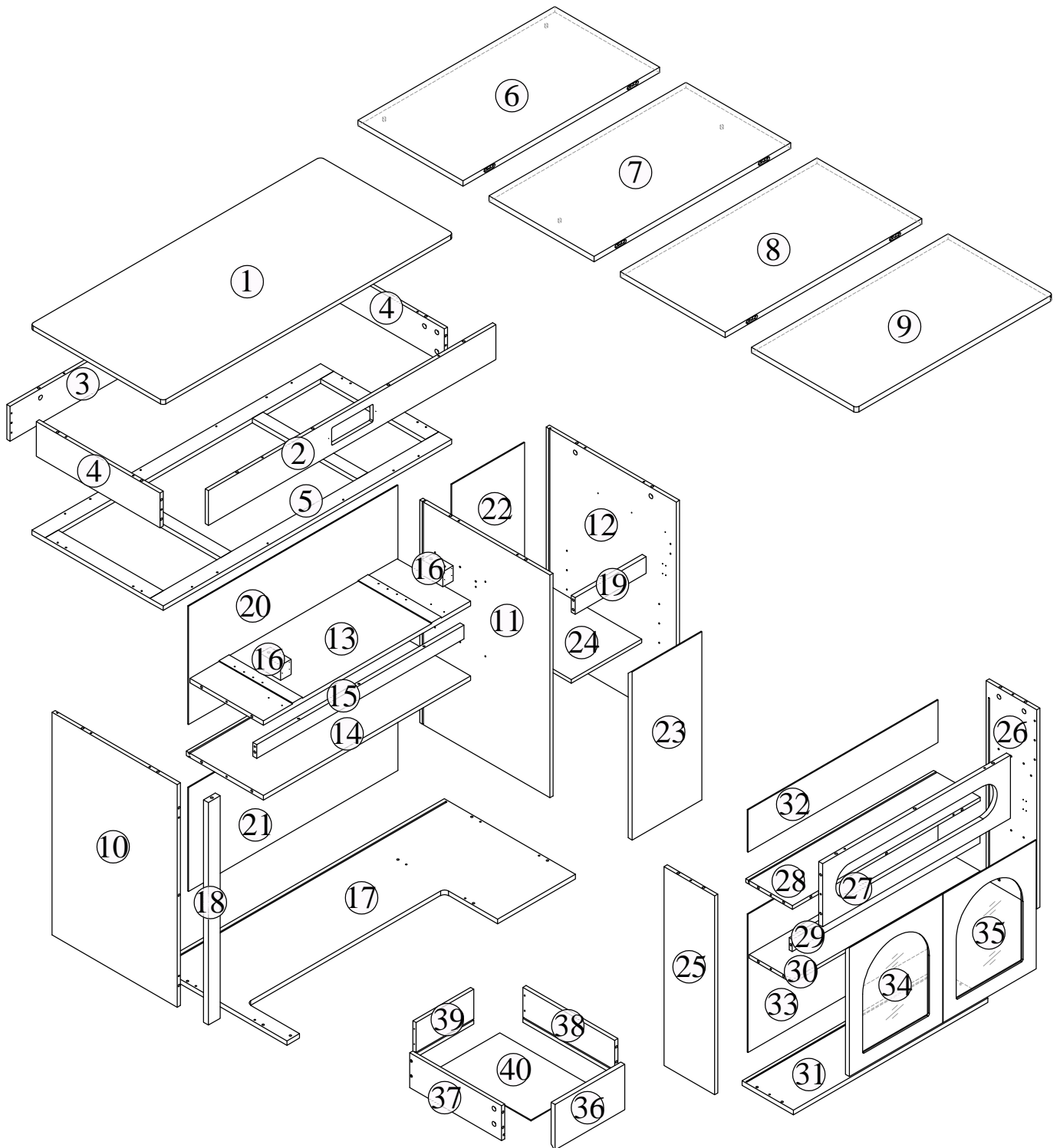
You will need to provide wall plugs and screws applicable for your wall type

Tools required



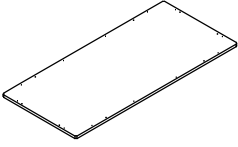
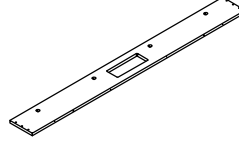
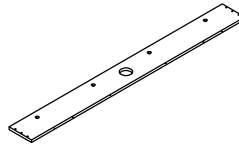
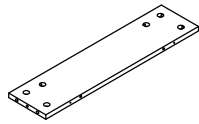
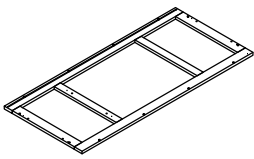
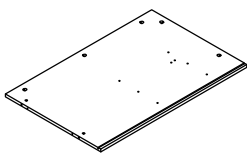
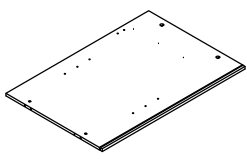
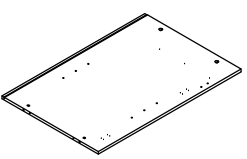
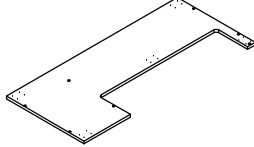
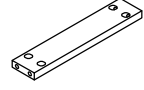
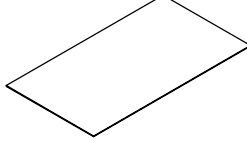
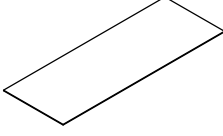
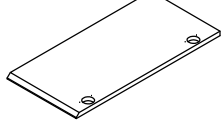
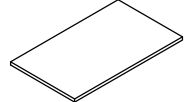
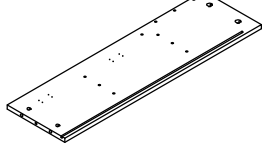
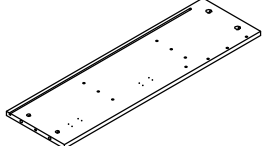
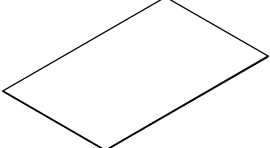
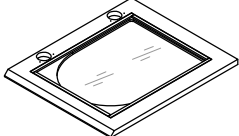
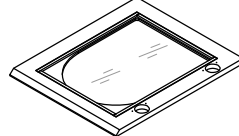
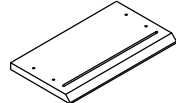
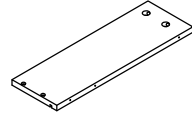
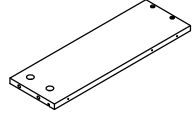
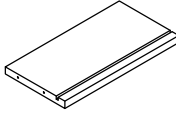
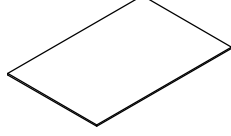
Screwdrivers can be converted to Phillips and Slotted.

ASSEMBLY INSTRUCTION



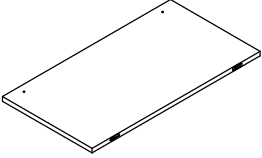
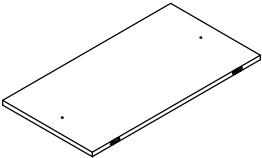
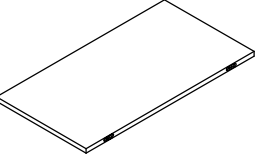
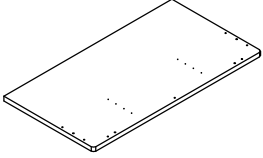
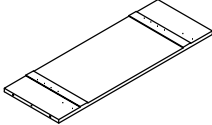
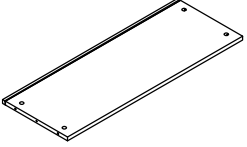
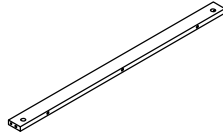
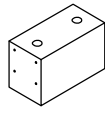
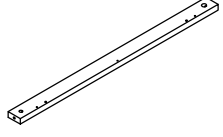
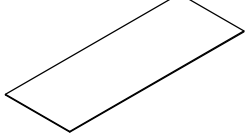
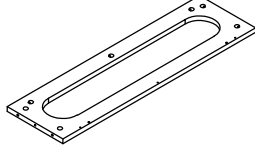
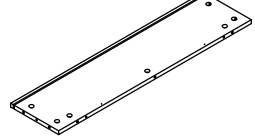
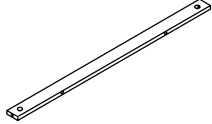
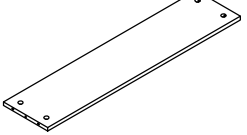
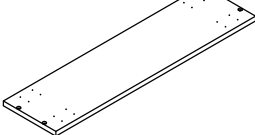
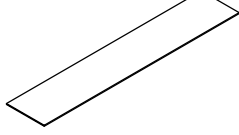
ASSEMBLY INSTRUCTION

PART LIST

<p>1</p>  <p>Top panel - 1pc</p>	<p>2</p>  <p>Up front panel - 1pc</p>	<p>3</p>  <p>Up back panel - 1pc</p>	<p>4</p>  <p>Up side panel - 2pcs</p>
<p>5</p>  <p>Middle frame - 1pc</p>	<p>10</p>  <p>Left side panel - 1pc</p>	<p>11</p>  <p>Middle panel - 1pc</p>	<p>12</p>  <p>Right side panel - 1pc</p>
<p>17</p>  <p>Bottom panel - 1pc</p>	<p>19</p>  <p>Rail - 1pc</p>	<p>20</p>  <p>Up left back panel - 1pc</p>	<p>21</p>  <p>Lower left back panel - 1pc</p>
<p>23</p>  <p>Door - 1pc</p>	<p>24</p>  <p>Adjustable shelf - 1pc</p>	<p>25</p>  <p>Left plate of the activity rack - 1pc</p>	<p>26</p>  <p>Right plate of the activity rack - 1pc</p>
<p>33</p>  <p>Lower back panel of the activity rack- 1pc</p>	<p>34</p>  <p>Left door of the activity rack - 1pc</p>	<p>35</p>  <p>Right door of the activity rack - 1pc</p>	<p>36</p>  <p>Drawer front panel - 1pc</p>
<p>37</p>  <p>Drawer left side panel - 1pc</p>	<p>38</p>  <p>Drawer right side panel - 1pc</p>	<p>39</p>  <p>Drawer back panel - 1pc</p>	<p>40</p>  <p>Drawer bottom panel - 1pc</p>

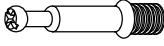




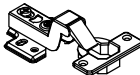

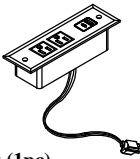


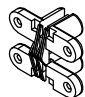






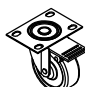


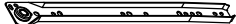
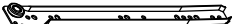
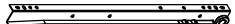
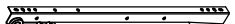
ASSEMBLY INSTRUCTION

PART LIST

<p>6</p>  <p>Top panel - 1pc</p>	<p>7</p>  <p>Top panel - 1pc</p>	<p>8</p>  <p>Top panel - 1pc</p>	<p>9</p>  <p>Top panel - 1pc</p>
<p>13</p>  <p>Middle panel - 1pc</p>	<p>14</p>  <p>Fixed panel - 1pc</p>	<p>15</p>  <p>Rail- 1pc</p>	<p>16</p>  <p>Little piece of wood - 2pcs</p>
<p>18</p>  <p>Establish a rule - 1pc</p>	<p>22</p>  <p>Right back panel - 1pc</p>	<p>27</p>  <p>Front panel of the activity rack - 1pc</p>	<p>28</p>  <p>Fixed panel of the activity rack - 1pc</p>
<p>29</p>  <p>Rail of the activity rack - 1pc</p>	<p>30</p>  <p>Fixed panel of the activity rack- 1pc</p>	<p>31</p>  <p>Bottom panel of the activity rack - 1pc</p>	<p>32</p>  <p>Up back panel of the activity rack- 1pc</p>

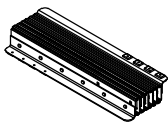
ASSEMBLY INSTRUCTION

HARDWARE LIST

<p>A</p>  <p>Ø6.5*35mm</p> <p>Minifix (72+3pcs)</p>	<p>B</p>  <p>Ø15*9mm</p> <p>Minifix cap (72+3pcs)</p>	<p>C</p>  <p>Ø6*30mm</p> <p>Wood dowel (54+3pcs)</p>	<p>D</p>  <p>Ø4*35mm</p> <p>Wood screw (25+2pcs)</p>
<p>E</p>  <p>M6*45mm</p> <p>Blot (11+1pcs)</p>	<p>F</p>  <p>Soft close hinges (6pcs)</p>	<p>G</p>  <p>Ø4*12mm</p> <p>Wood screw (48+3pcs)</p>	<p>H</p>  <p>Insert Row (1pc)</p>
<p>I</p>  <p>Locating piece (2pcs)</p>	<p>J</p>  <p>Ø3*12mm</p> <p>Wood screw (10+1pcs)</p>	<p>K</p>  <p>Hinges (6pcs)</p>	<p>L</p>  <p>Ø4*19mm</p> <p>Wood screw (24+2pcs)</p>
<p>M</p>  <p>Ø10*10mm</p> <p>Handle (11+1pcs)</p>	<p>N</p>  <p>Shelf support (4+1pcs)</p>	<p>P</p>  <p>Ø5*16mm</p> <p>Wood screw (16+1pcs)</p>	<p>Q</p>  <p>Allen wrench (1pc)</p>
<p>R</p>  <p>Caster wheels (5pcs)</p>	<p>S</p>  <p>Caster wheels (4pcs)</p>	<p>T</p>  <p>Ø4*14mm</p> <p>Wood screw (36+2pcs)</p>	<p>U</p>  <p>Outlet cover (1pc)</p>
<p>CL</p>  <p>350mm</p> <p>Slide rail (1pc)</p>	<p>CR</p>  <p>350mm</p> <p>Slide rail (1pc)</p>	<p>DL</p>  <p>350mm</p> <p>Slide rail (1pc)</p>	<p>DR</p>  <p>350mm</p> <p>Slide rail (1pc)</p>

N715P396295

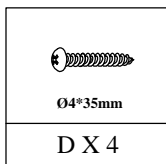
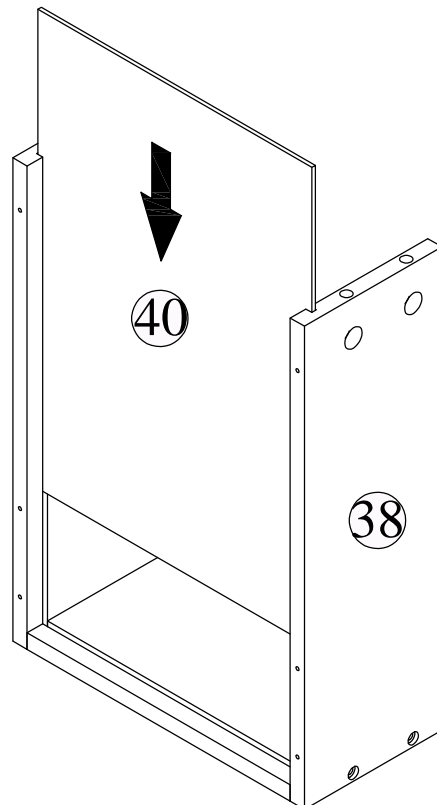
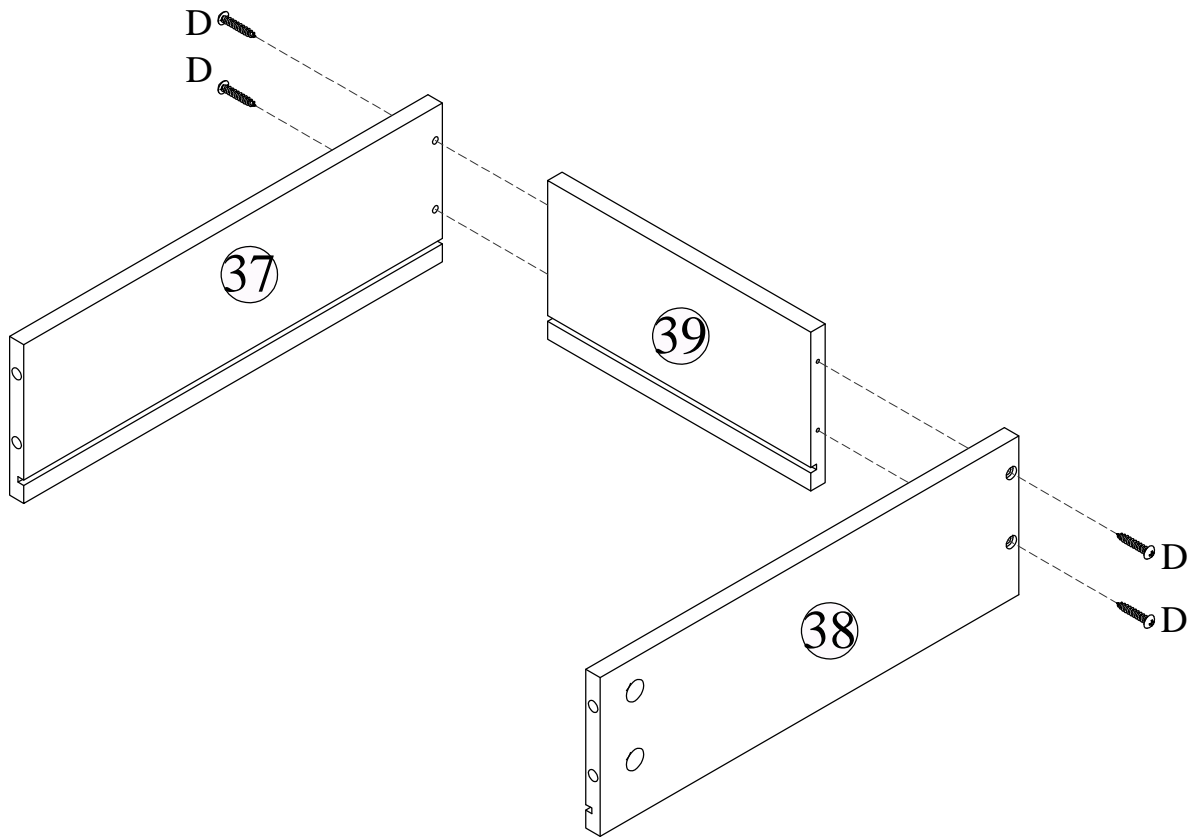
O



Slide rail (2pcs)

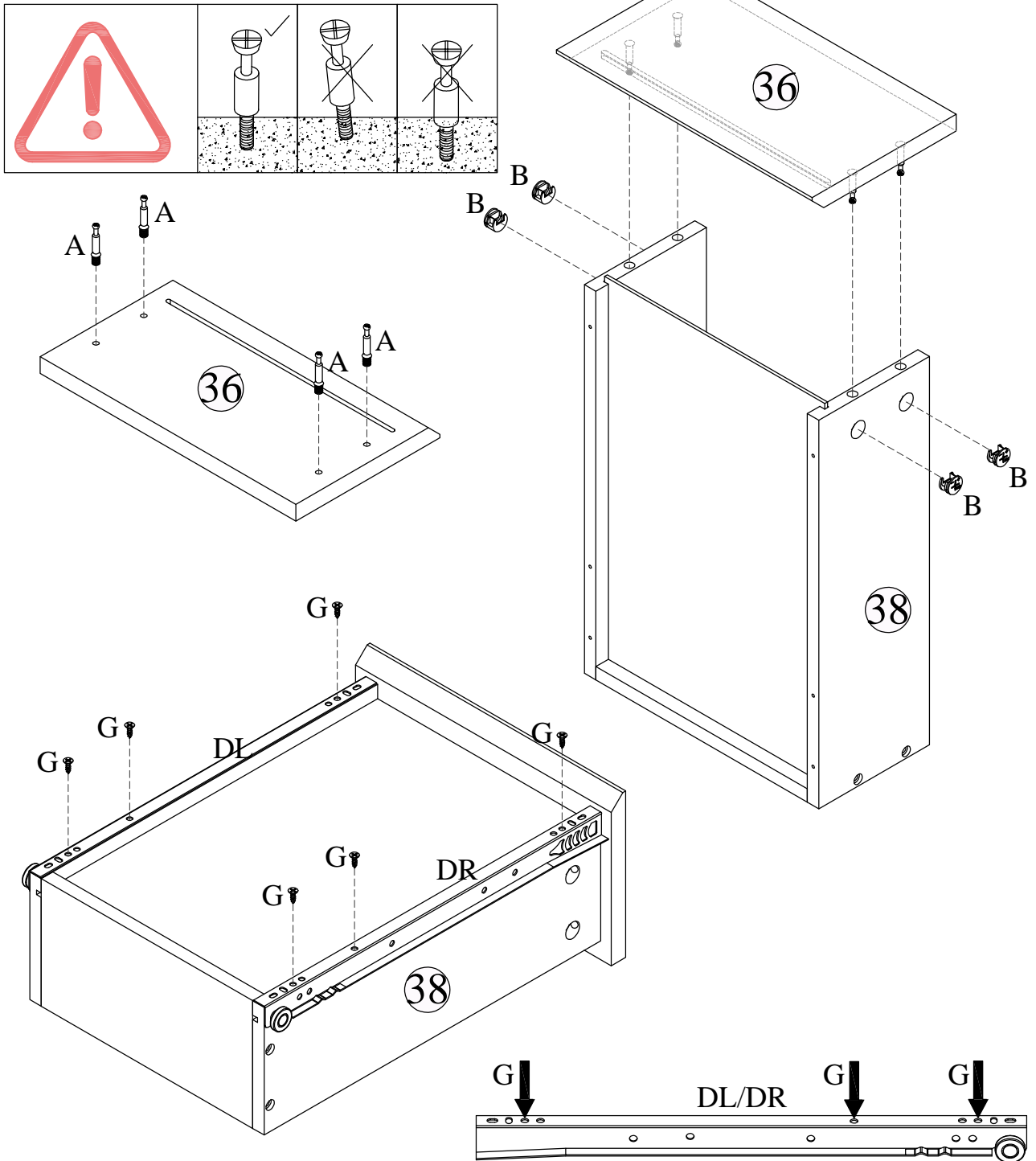
ASSEMBLY INSTRUCTION



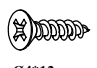


Step 1

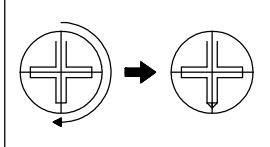


ASSEMBLY INSTRUCTION

Step 2

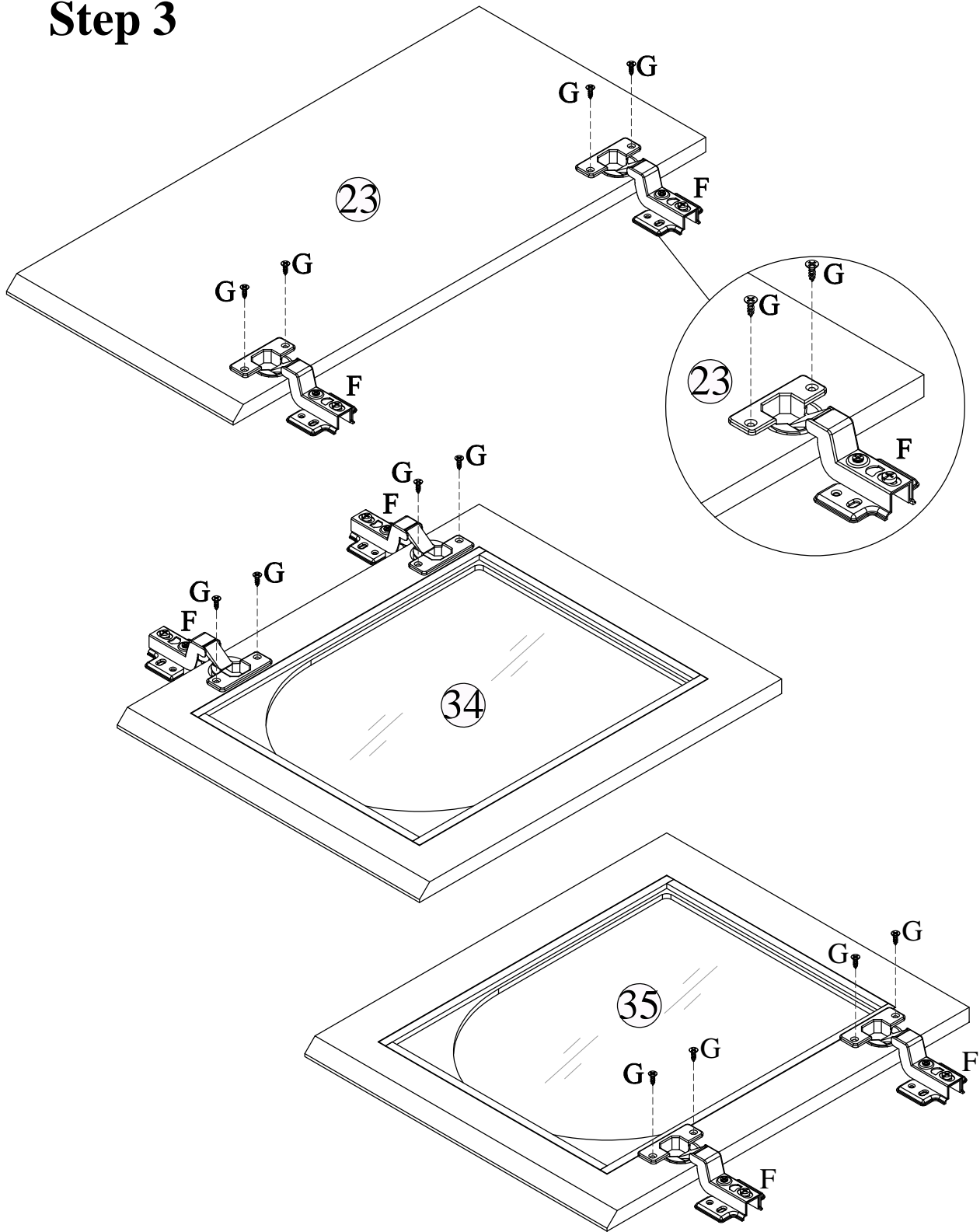


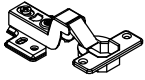

				
Ø6.5*35mm	Ø15*9mm	Ø4*12mm	350mm	350mm
A X 4	B X 4	G X 6	DL X 1	DR X 1


Lock Minifix cap clockwise

ASSEMBLY INSTRUCTION

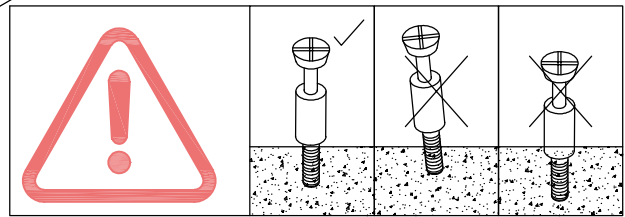
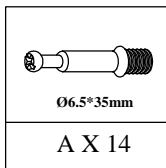
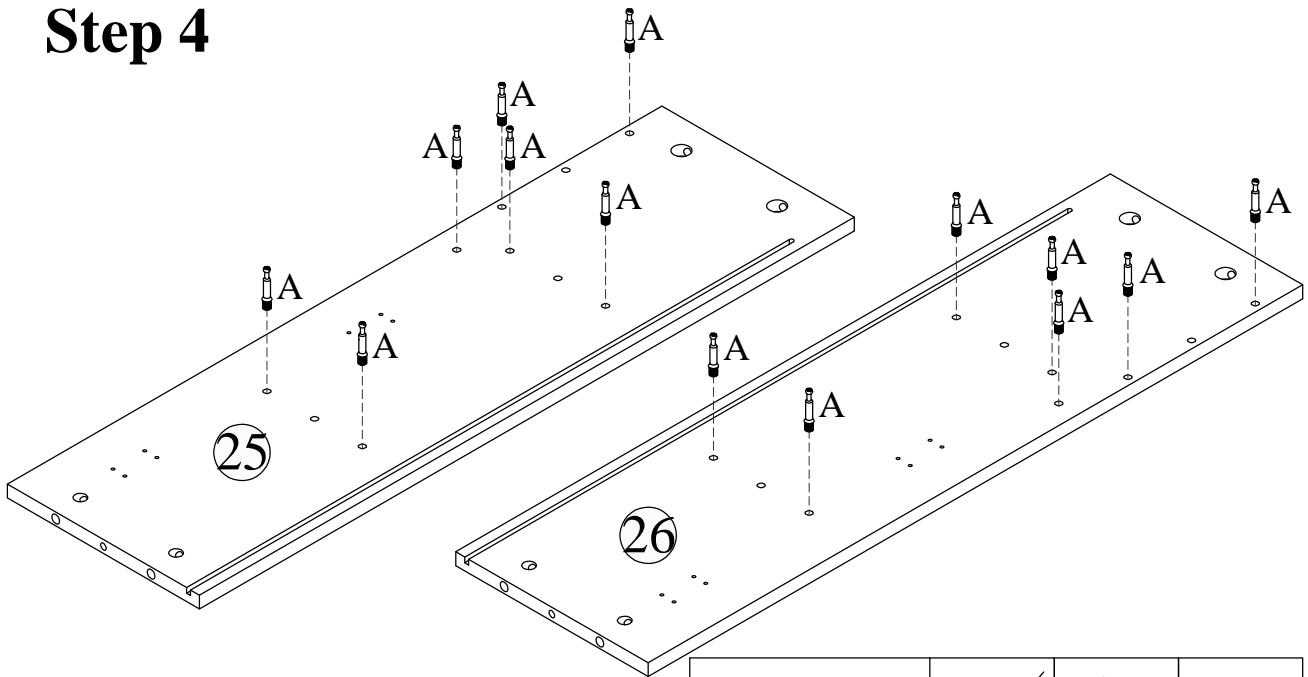
Step 3



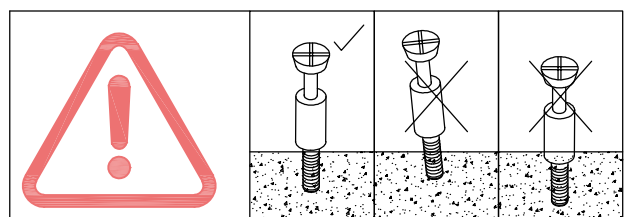
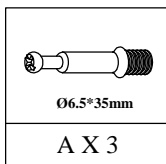
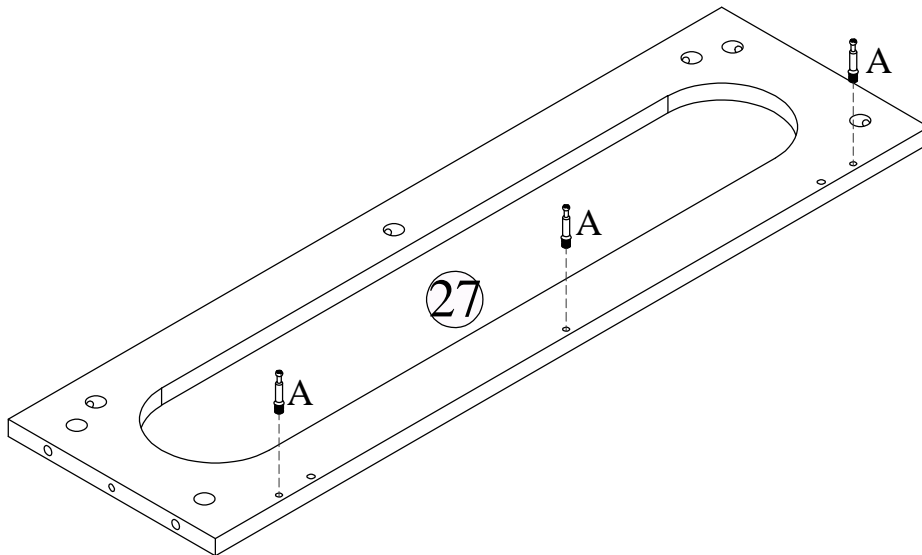
	
FX 6	G X 12 04*12mm

ASSEMBLY INSTRUCTION

Step 4

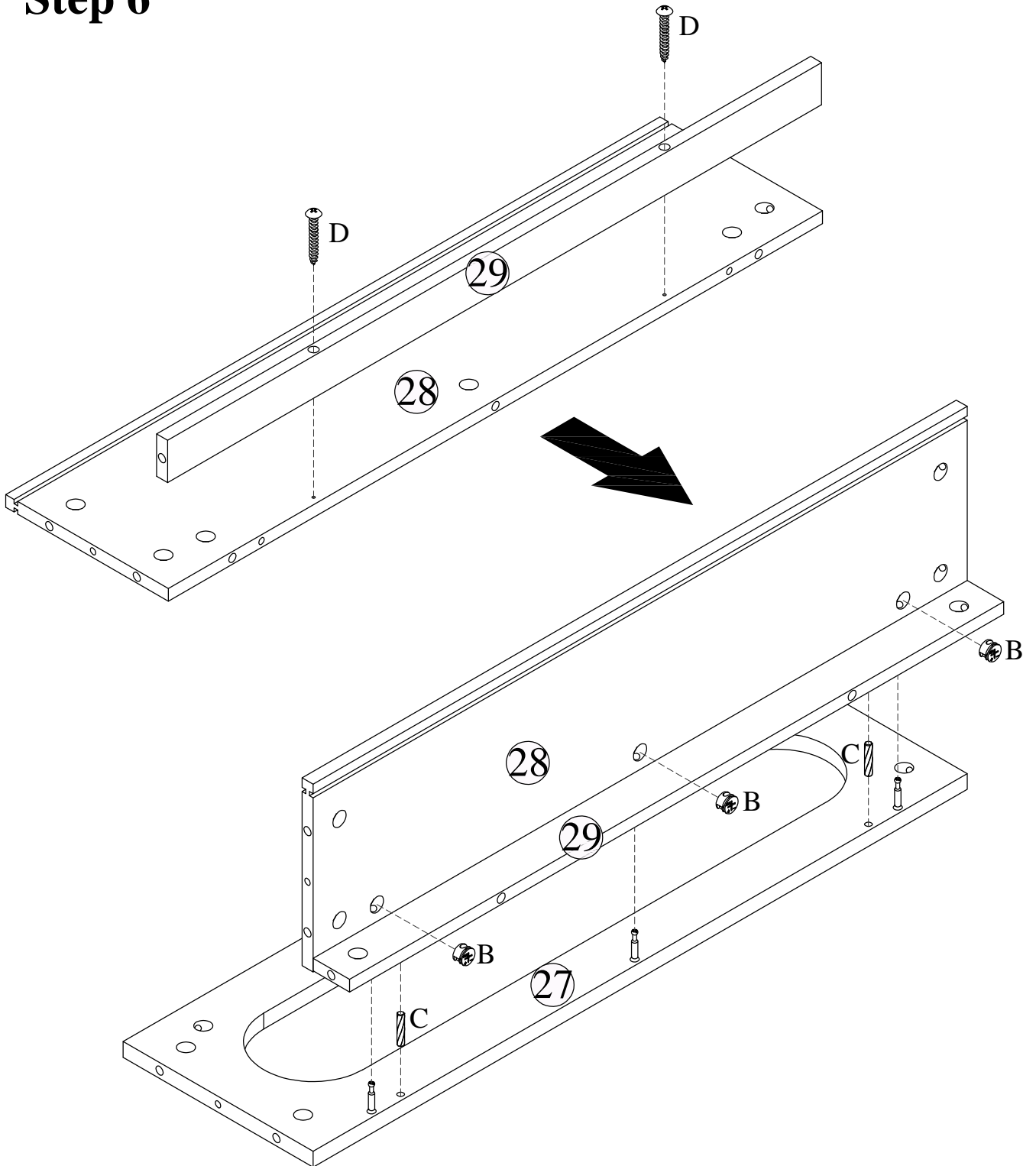



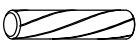
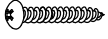
Step 5

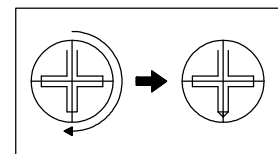


ASSEMBLY INSTRUCTION

Step 6



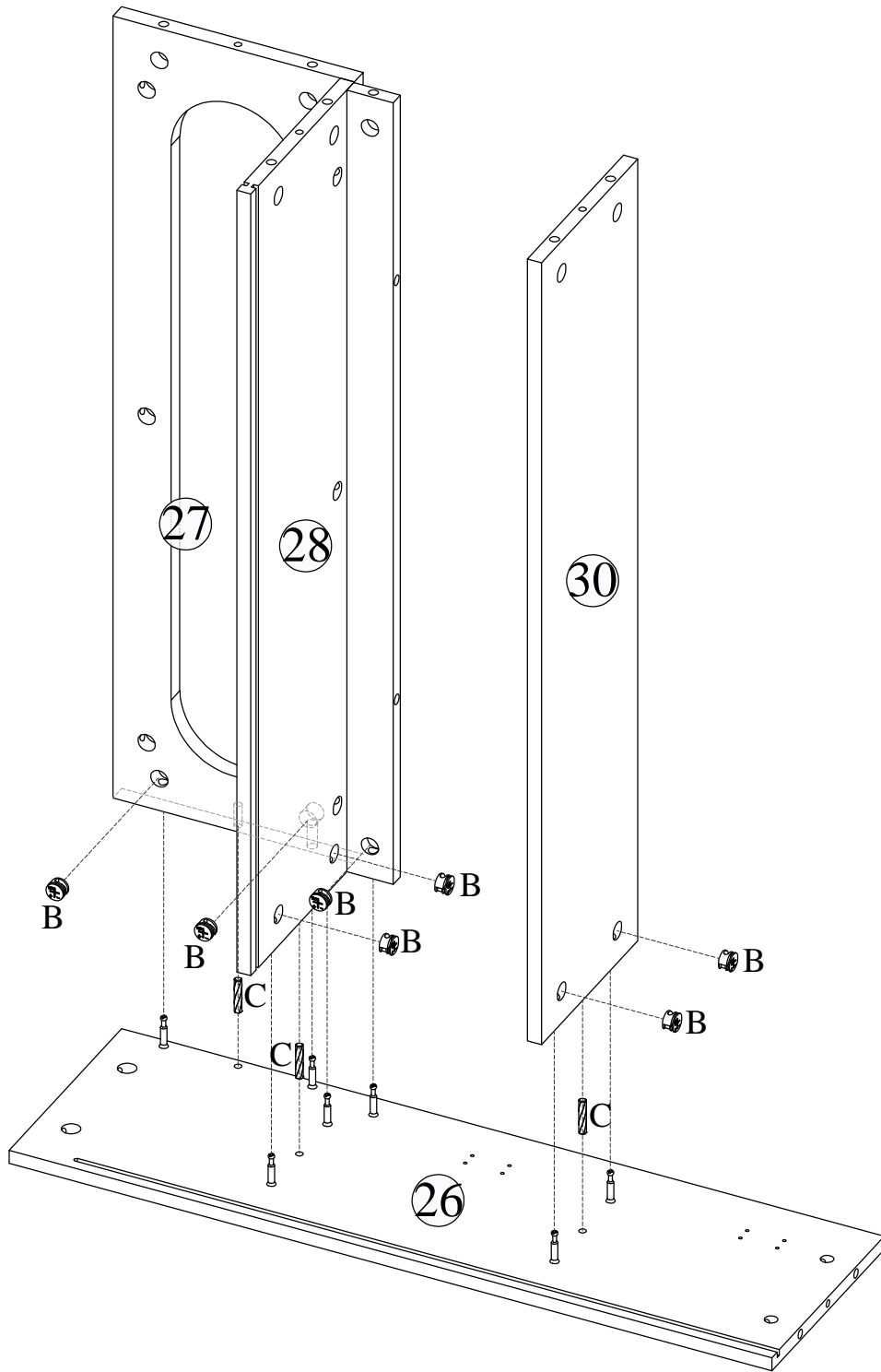
		
Ø15*9mm	Ø6*30mm	Ø4*35mm
B X 3	C X 2	D X 2


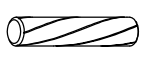


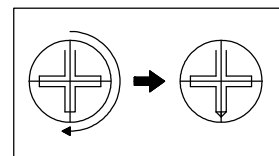
Lock Minifix cap clockwise

ASSEMBLY INSTRUCTION

Step 7



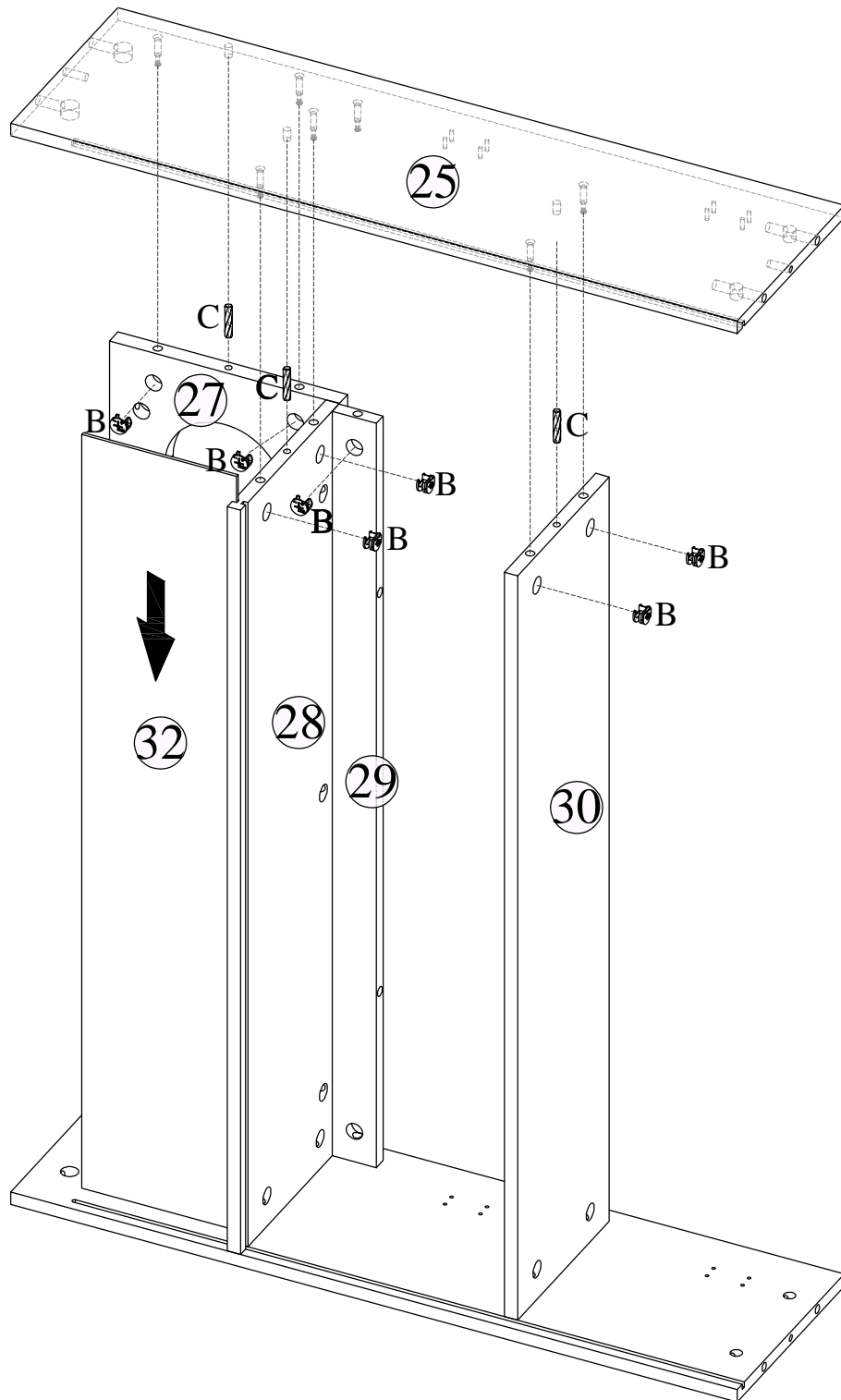
	
Ø15*9mm	Ø6*30mm
B X 7	C X 3


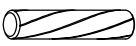


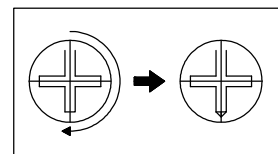
Lock Minifix cap clockwise

ASSEMBLY INSTRUCTION

Step 8



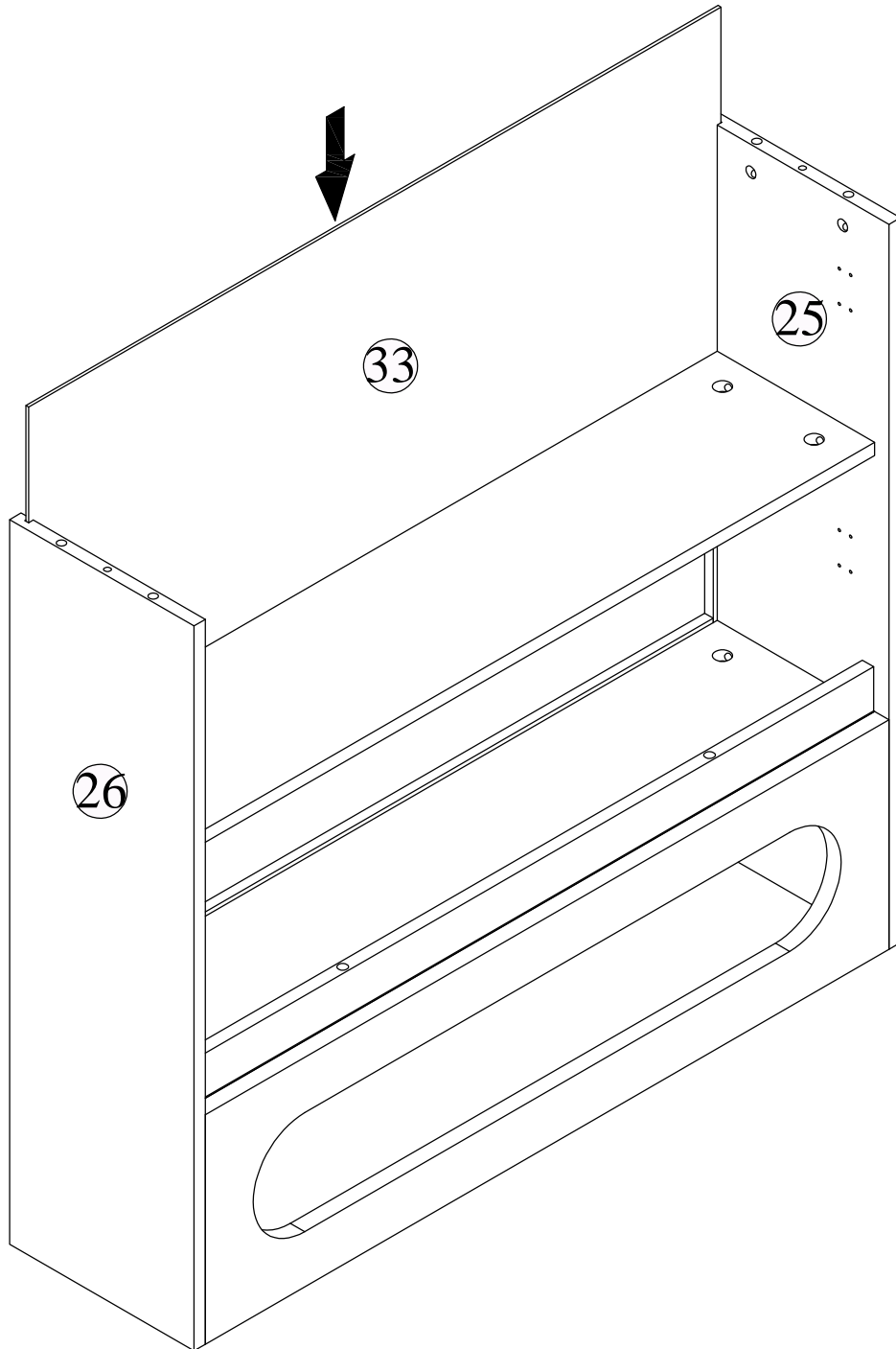
	
Ø15*9mm	Ø6*30mm
B X 7	C X 3



Lock Minifix cap clockwise

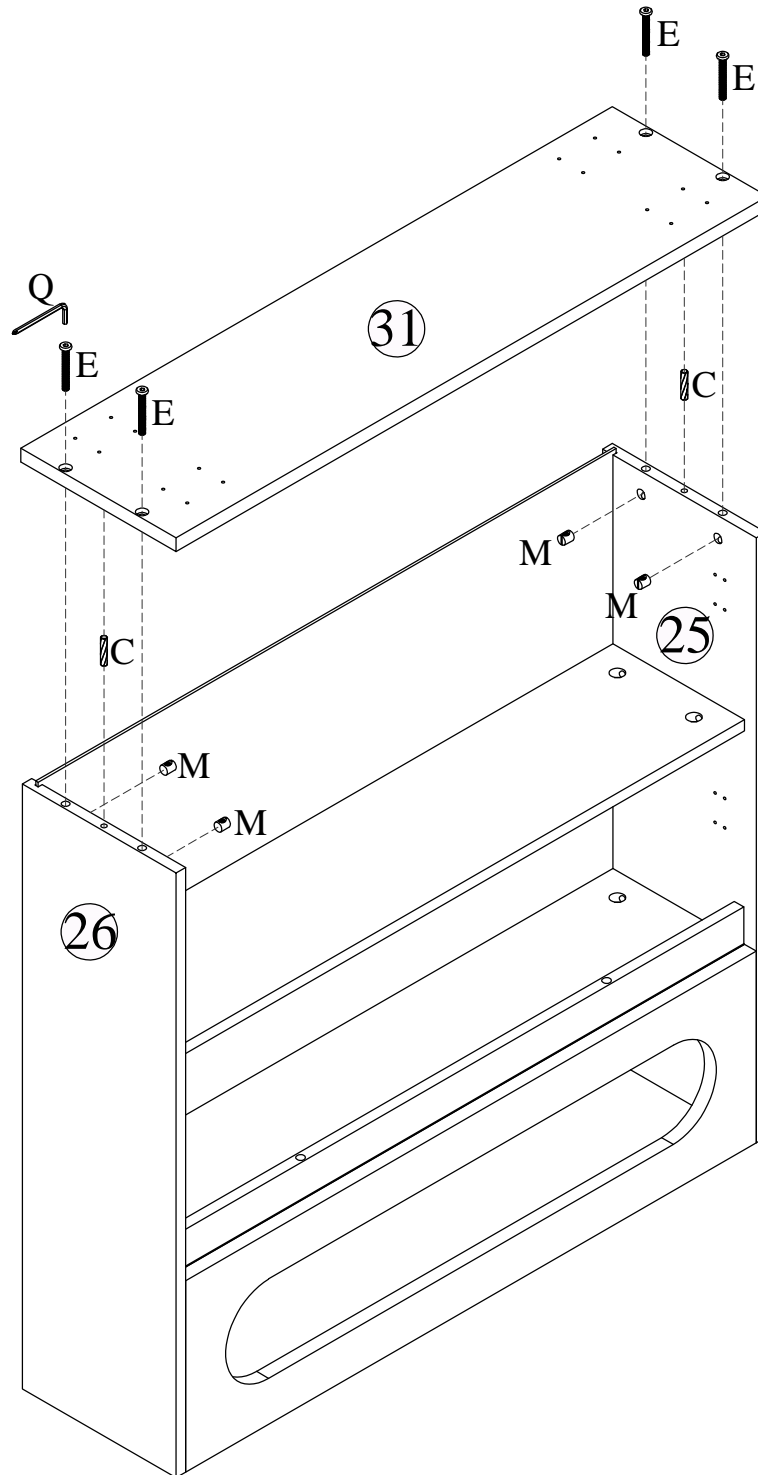
ASSEMBLY INSTRUCTION





Step 9



ASSEMBLY INSTRUCTION

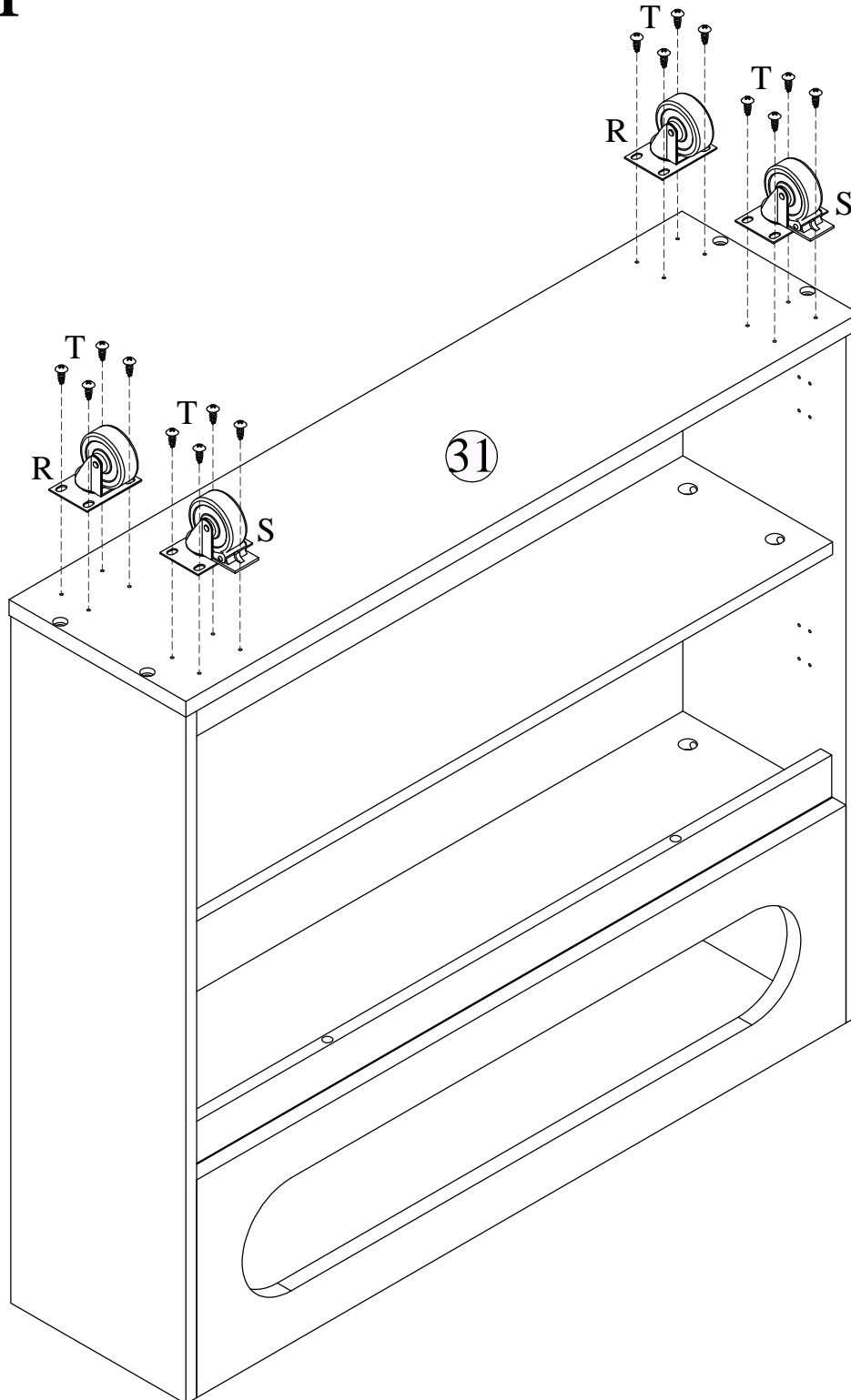
Step 10


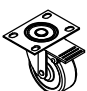



			
Ø6*30mm	M6*45mm	Ø10*10mm	
C X 2	E X 4	M X 4	Q X 1

ASSEMBLY INSTRUCTION

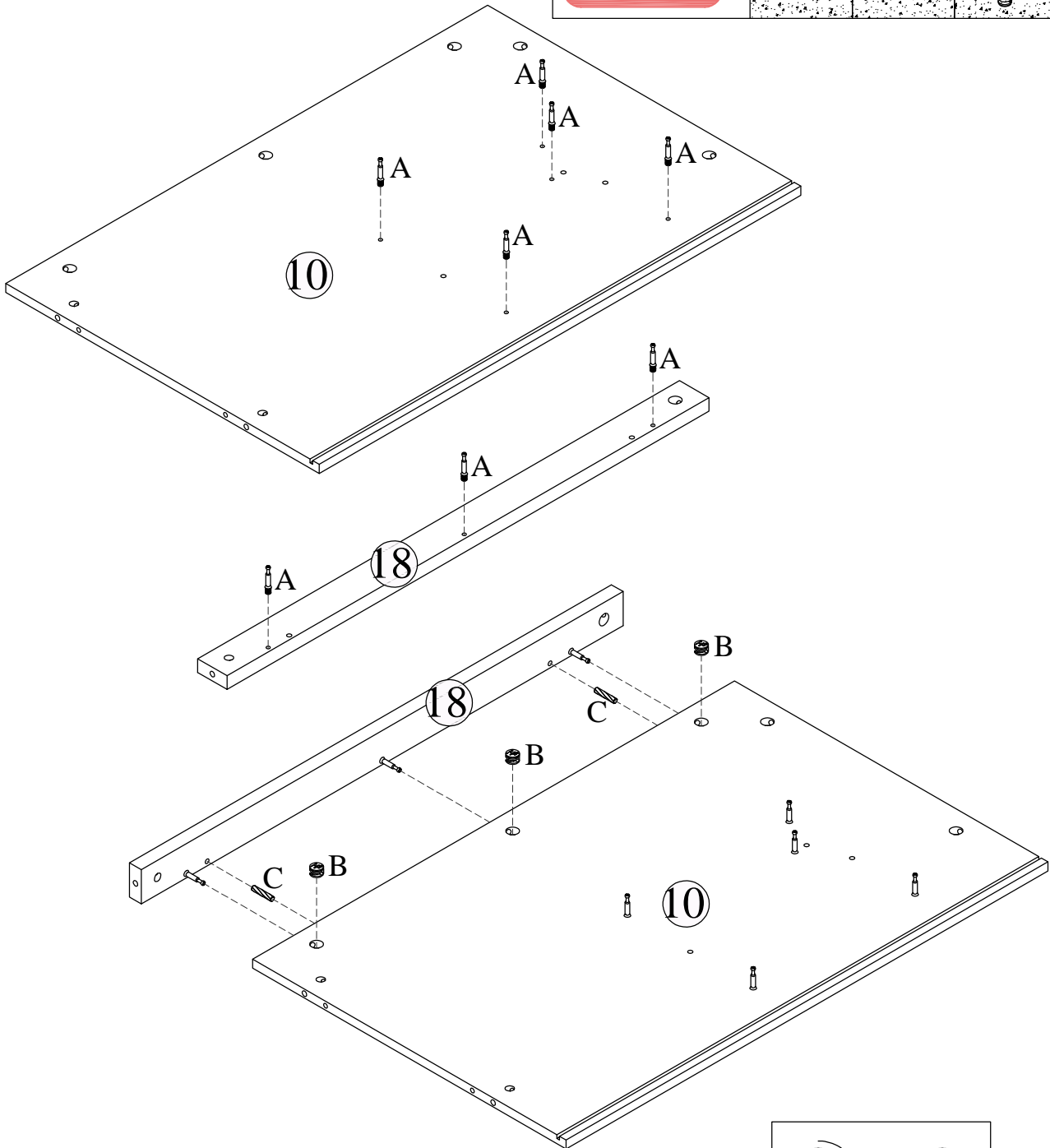
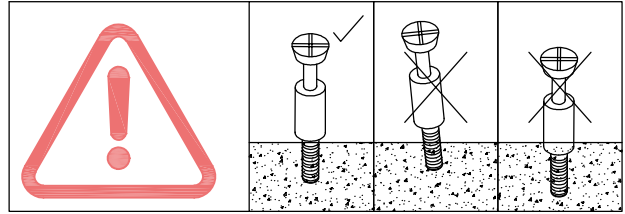
Step 11

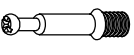

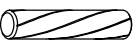


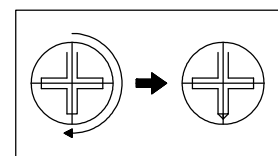
		
R X 2	S X 2	T X 16 Ø4*14mm

ASSEMBLY INSTRUCTION

Step 12



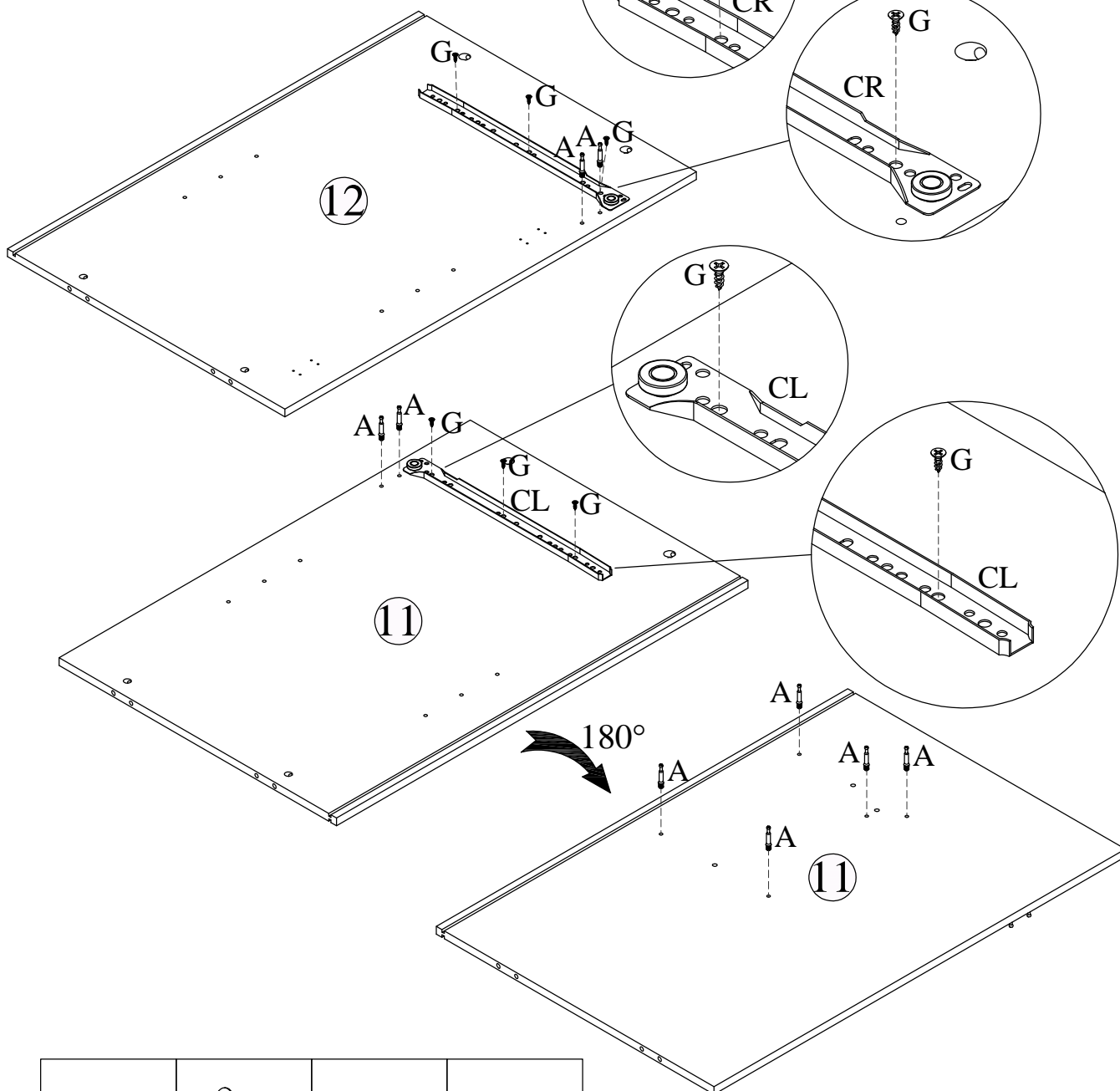
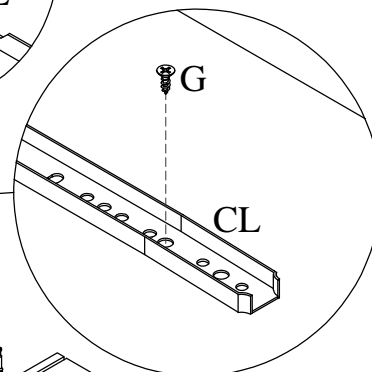
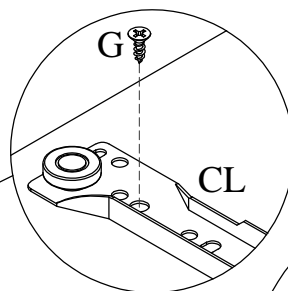
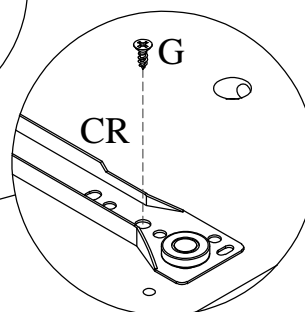
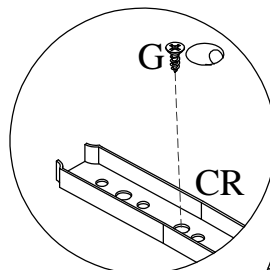
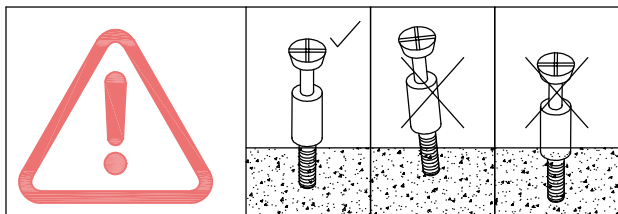
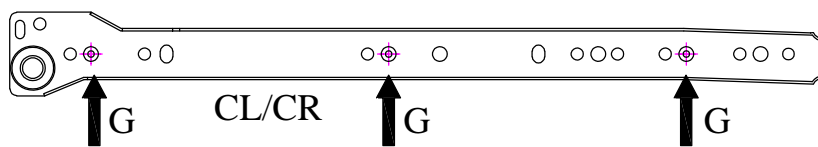
		
Ø6.5*35mm	Ø15*9mm	Ø6*30mm
A X 8	B X 3	C X 2



Lock Minifix cap clockwise

ASSEMBLY INSTRUCTION

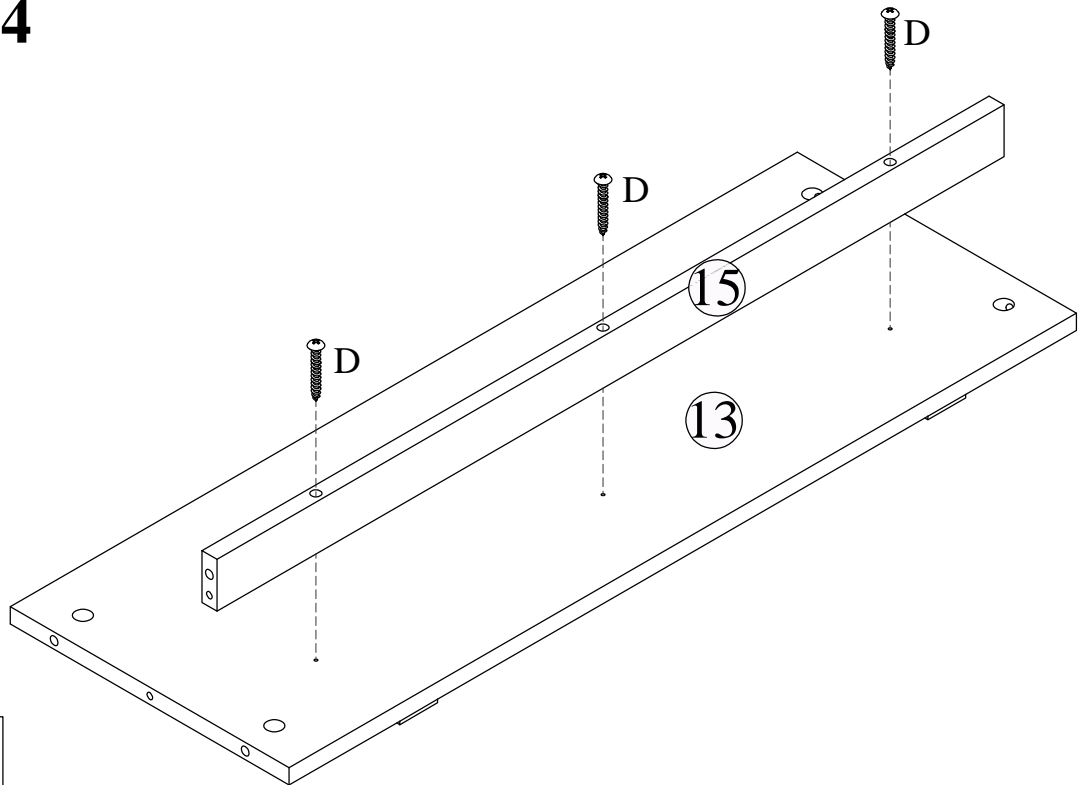
Step 13

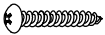


06.5*35mm	04*12mm	350mm	350mm
A X 9	G X 6	CL X 1	CR X 1

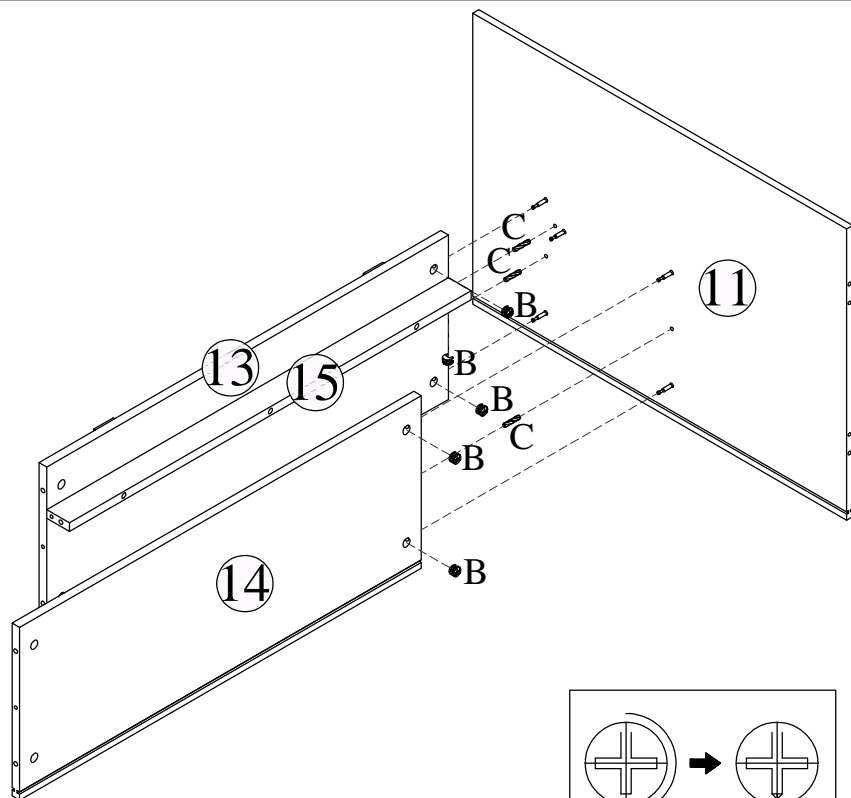
ASSEMBLY INSTRUCTION


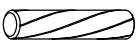
Step 14

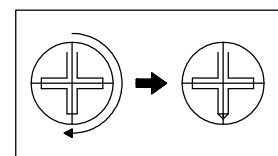



Ø4*35mm
D X 3

Step 15



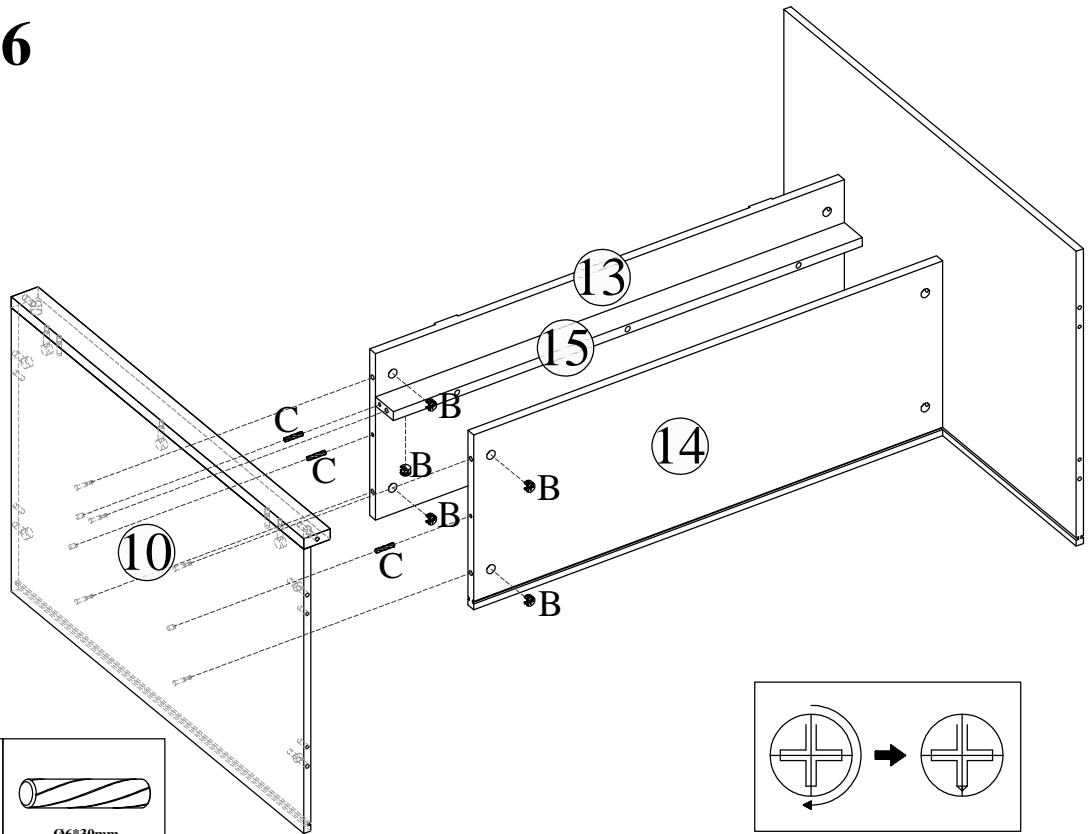
	
Ø15*9mm	Ø6*30mm
B X 5	C X 3


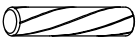


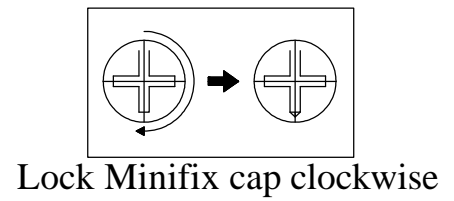
Lock Minifix cap clockwise

ASSEMBLY INSTRUCTION

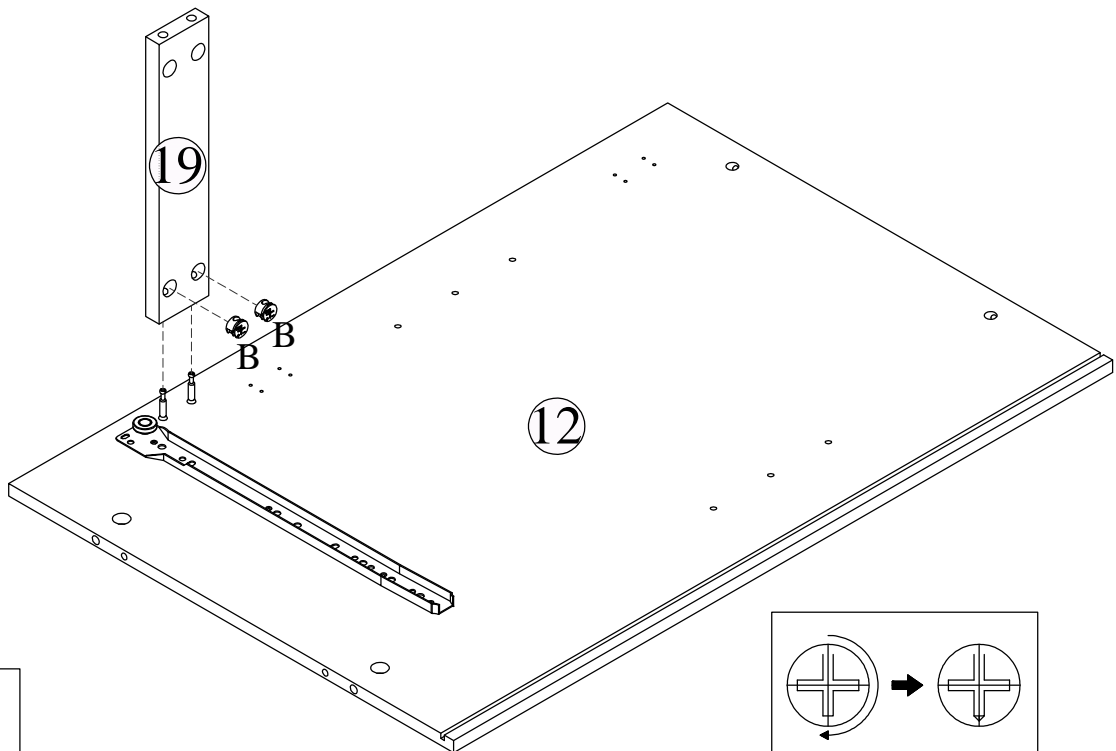
Step 16




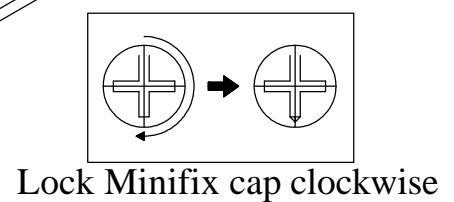
 Ø15*9mm B X 5	 Ø6*30mm C X 3
---	---



Step 17

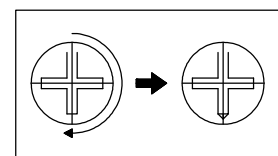
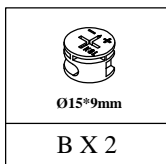
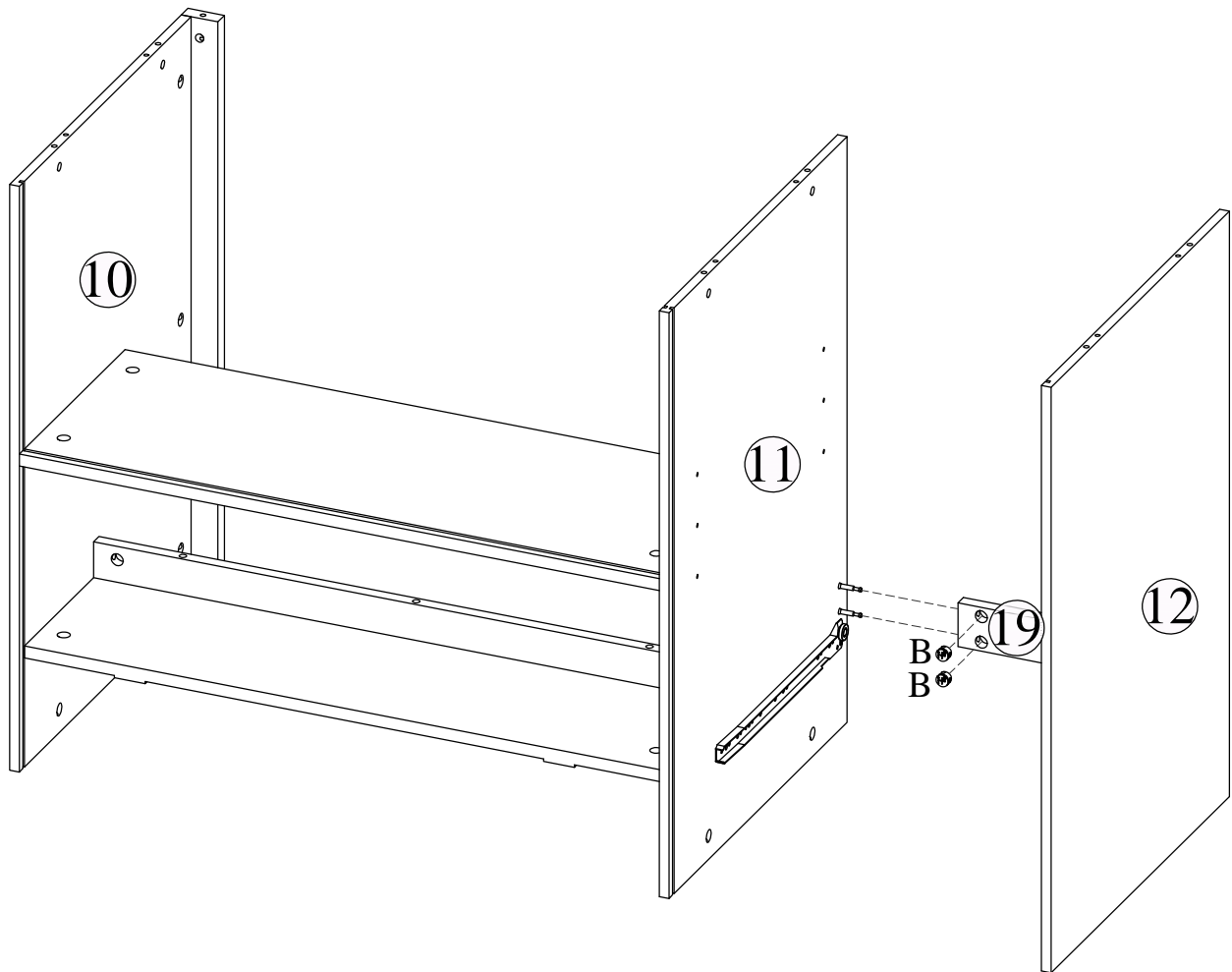


 Ø15*9mm B X 2



ASSEMBLY INSTRUCTION

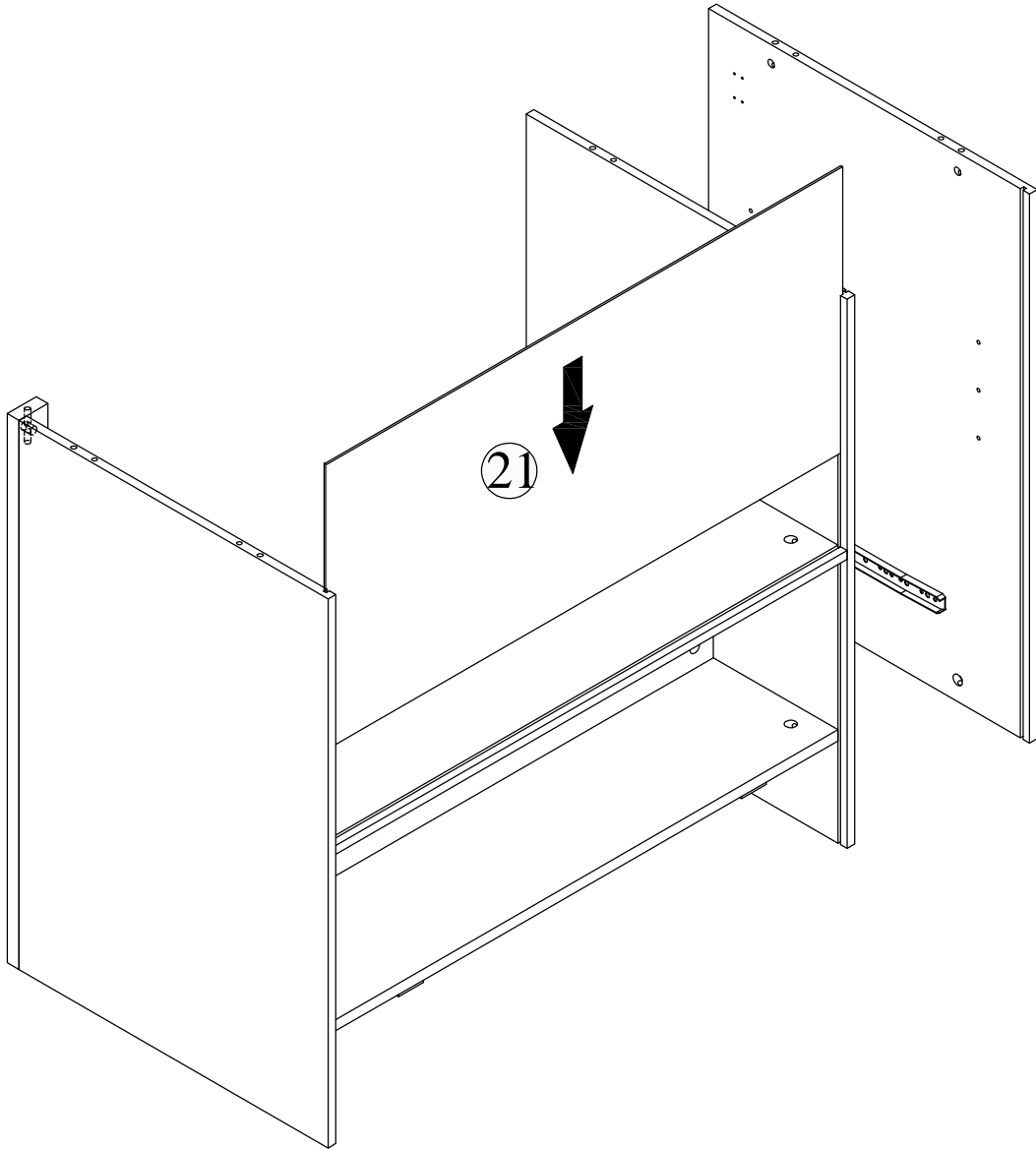
Step 18



Lock Minifix cap clockwise

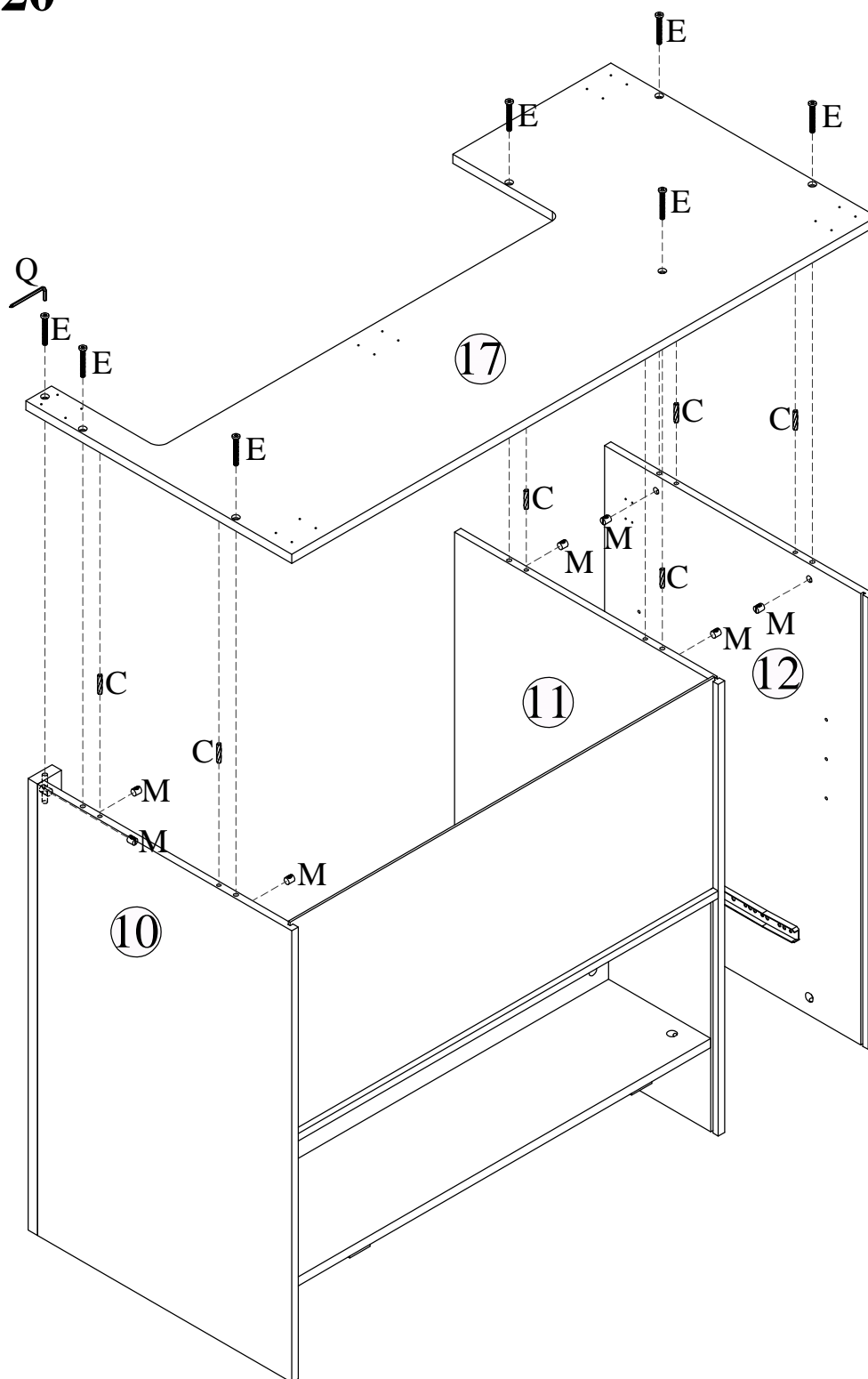
ASSEMBLY INSTRUCTION

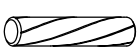



Step 19



ASSEMBLY INSTRUCTION

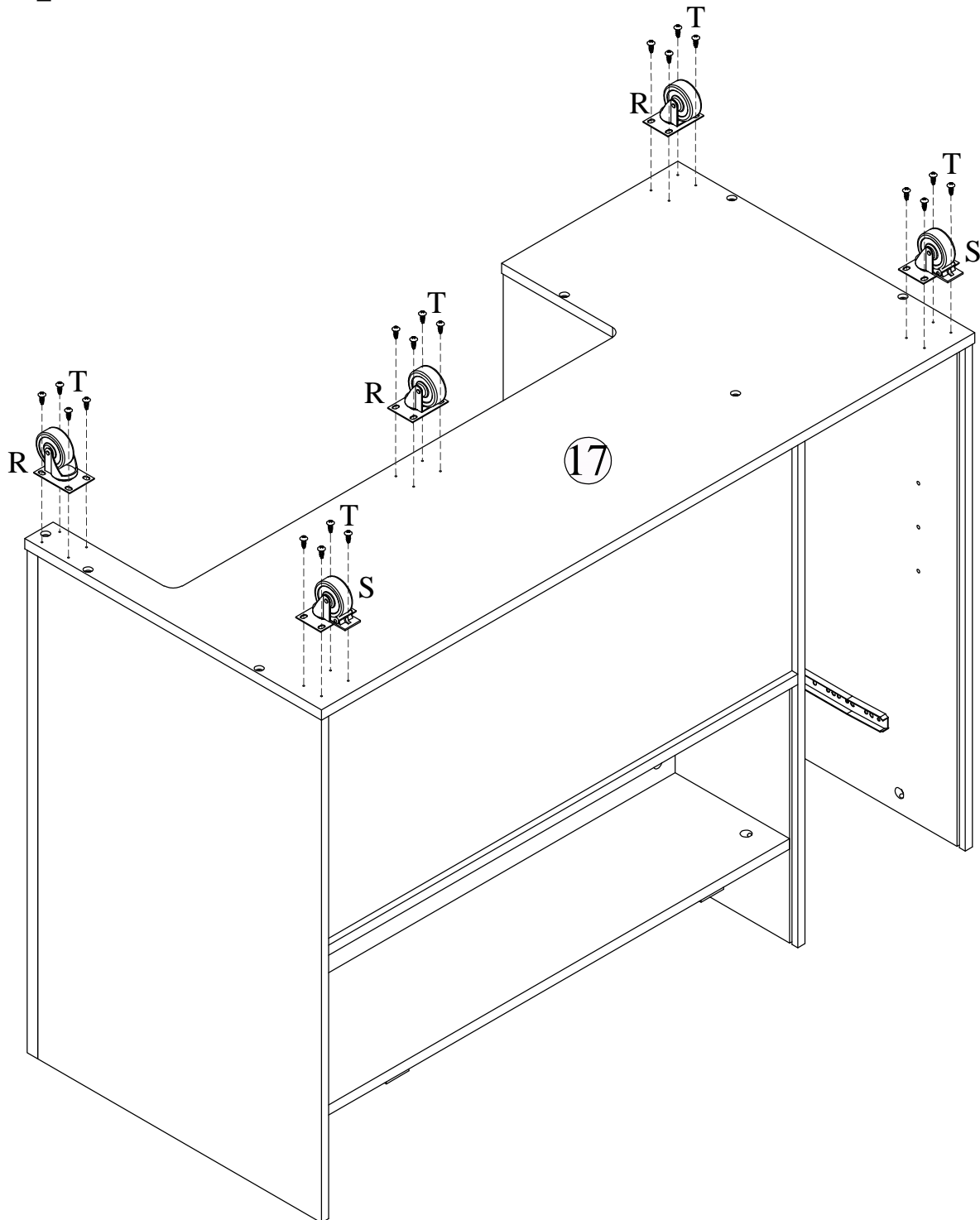
Step 20

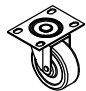




			
Ø6*30mm	M6*45mm	Ø10*10mm	
C X 6	E X 7	M X 7	Q X 1

ASSEMBLY INSTRUCTION

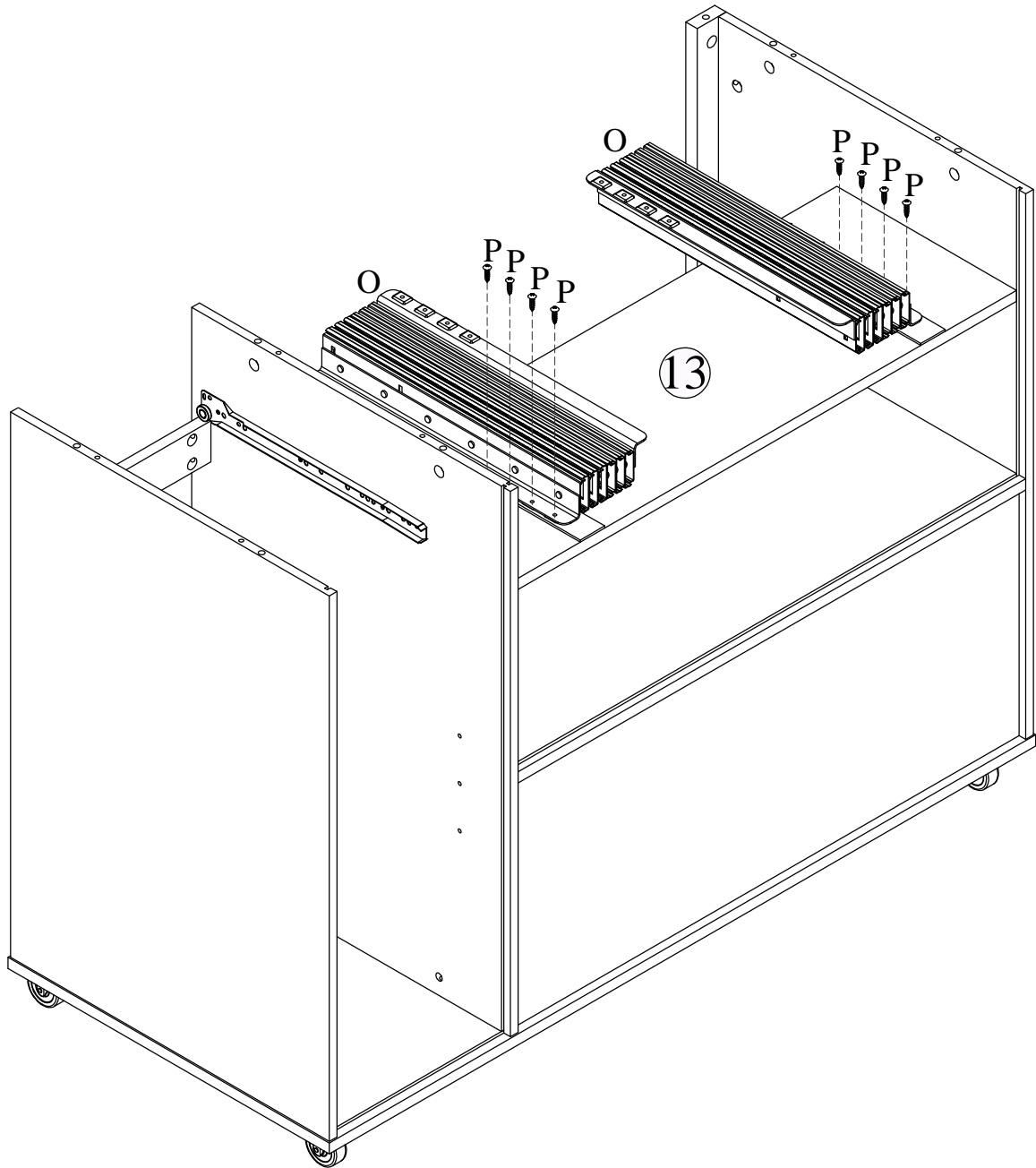
Step 21





		
R X 3	S X 2	T X 20 Ø4*14mm

ASSEMBLY INSTRUCTION

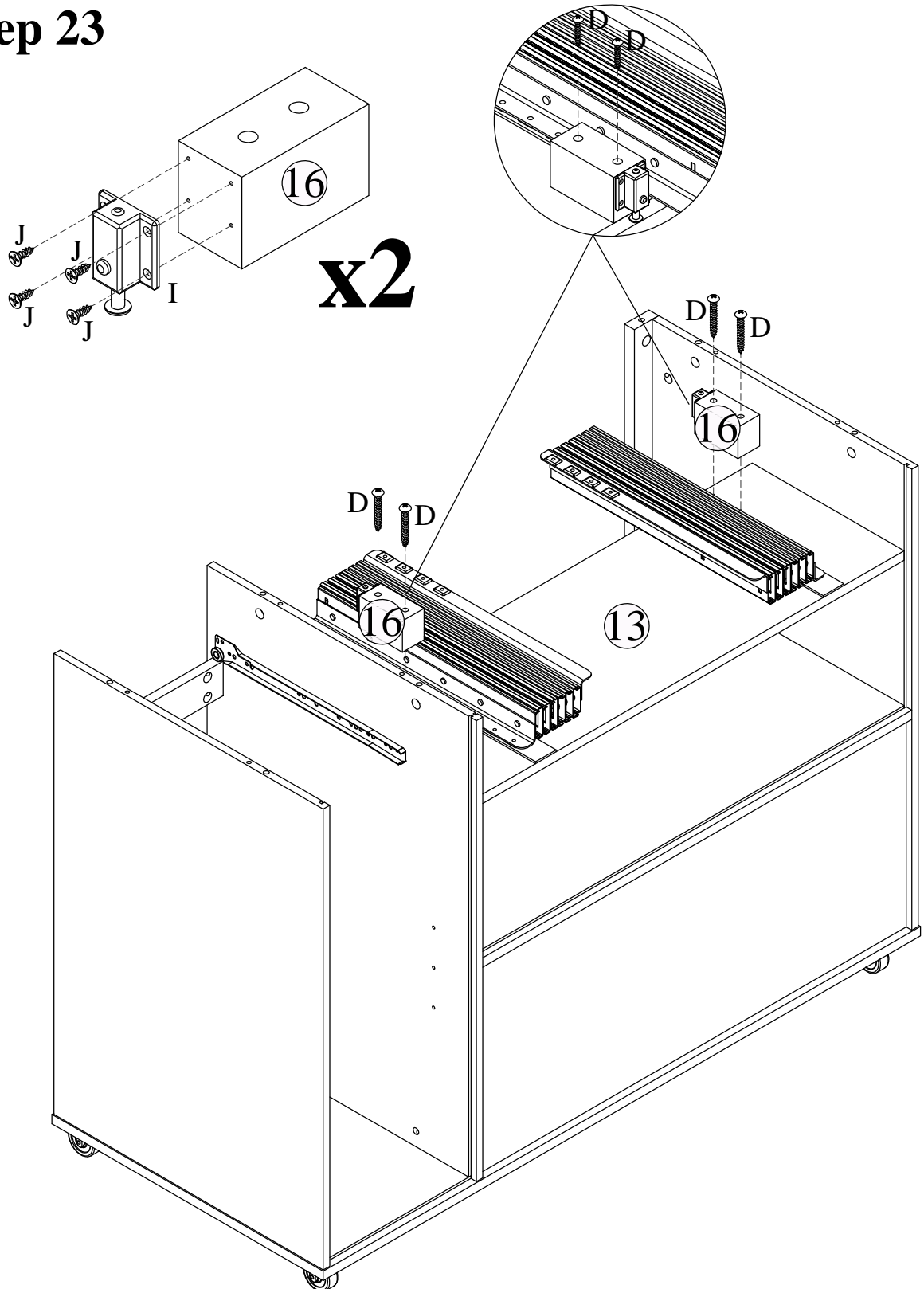
Step 22


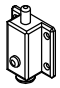



	
O X 2	P X 8

ASSEMBLY INSTRUCTION

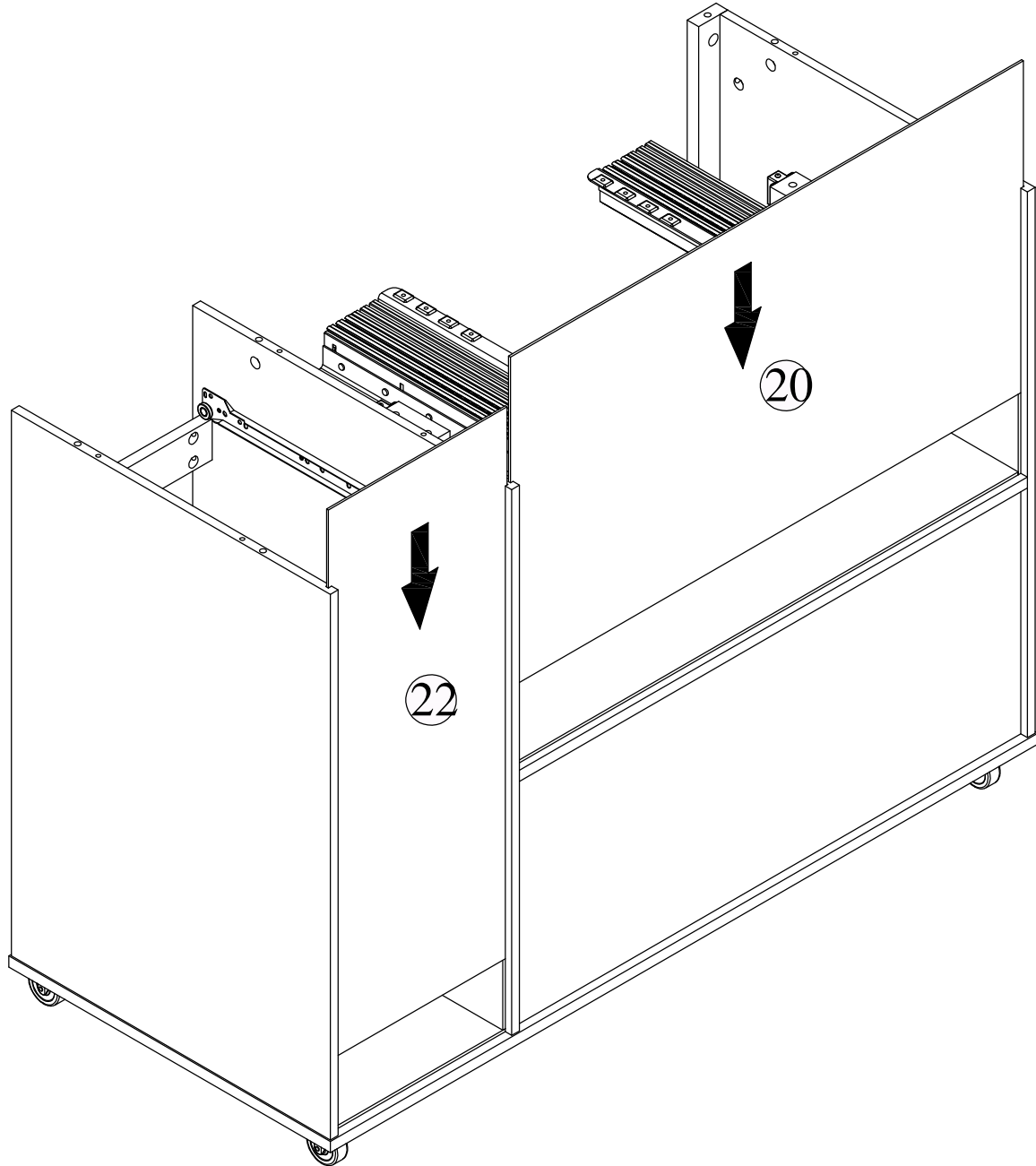
Step 23



 Ø4*35mm	 I X 2	 Ø3*12mm
D X 4		J X 8

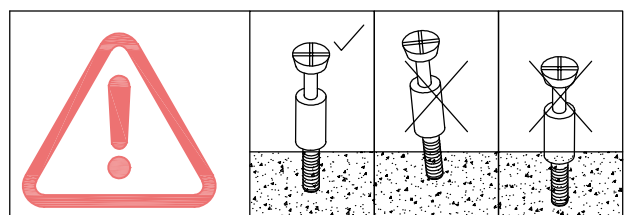
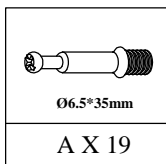
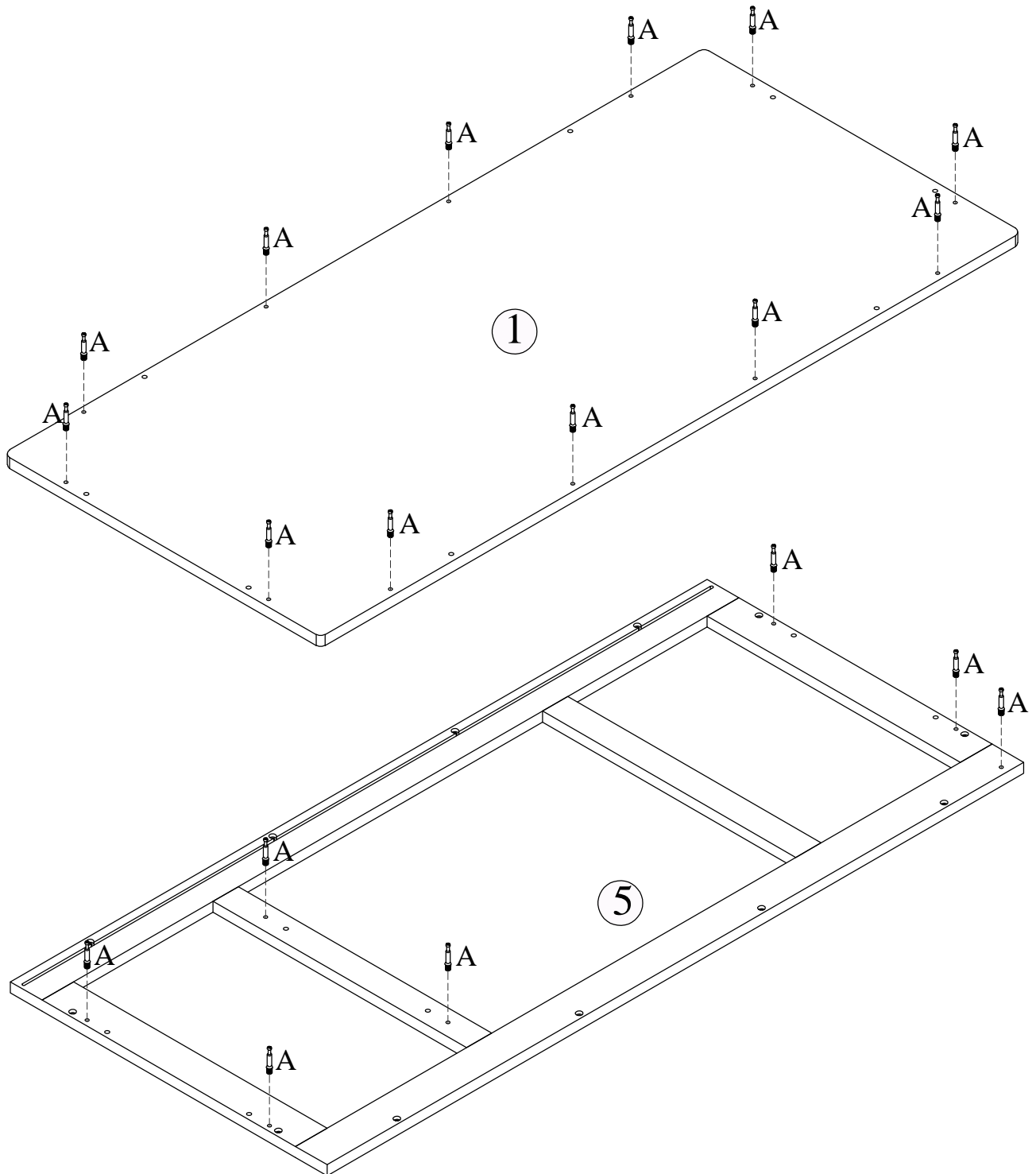
ASSEMBLY INSTRUCTION

Step 24



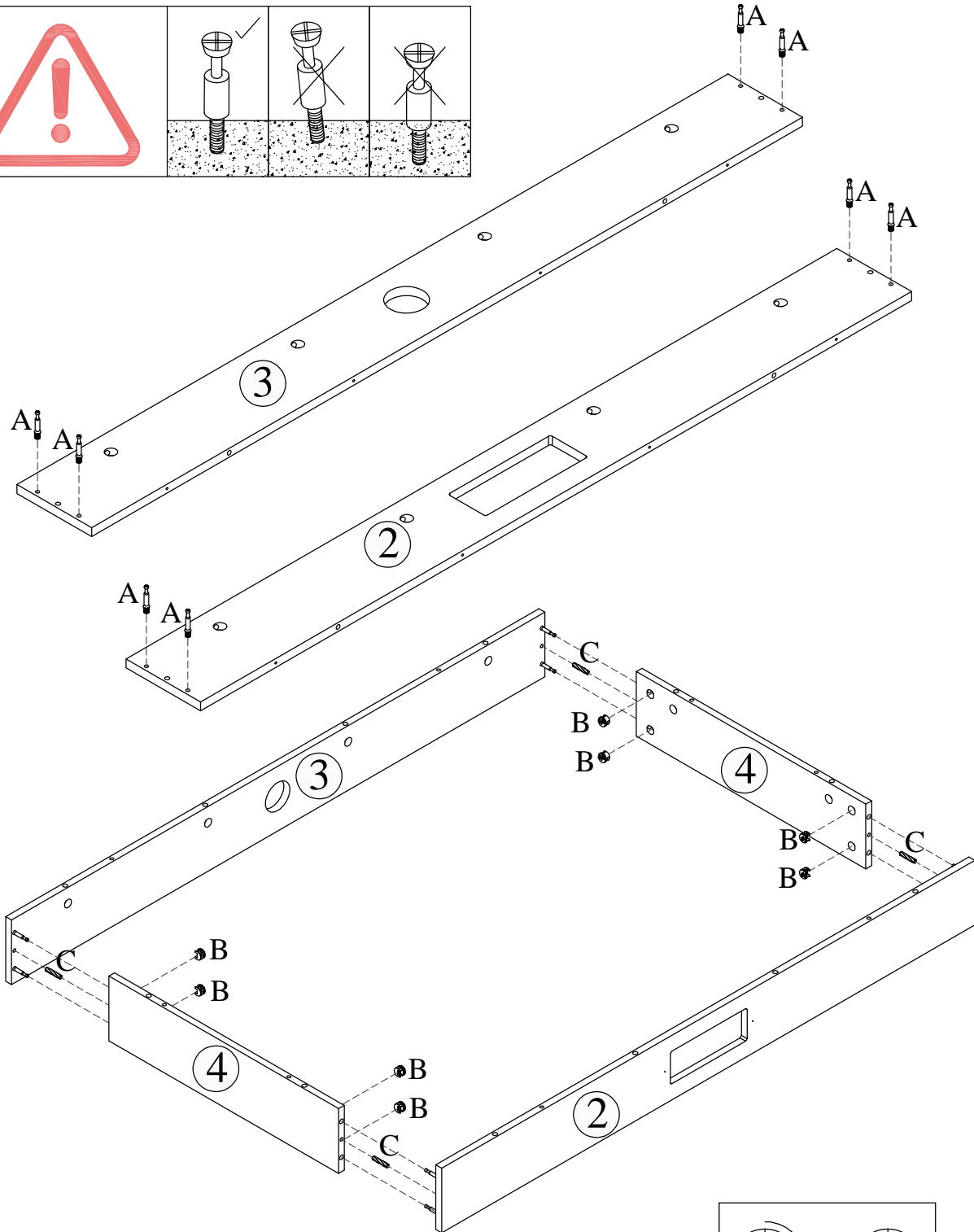
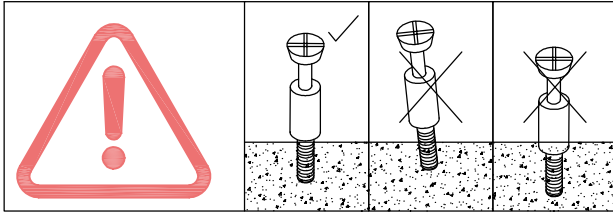
ASSEMBLY INSTRUCTION

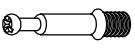

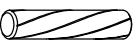
Step 25

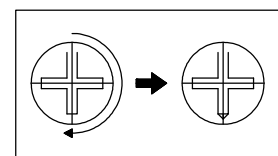


ASSEMBLY INSTRUCTION

Step 26



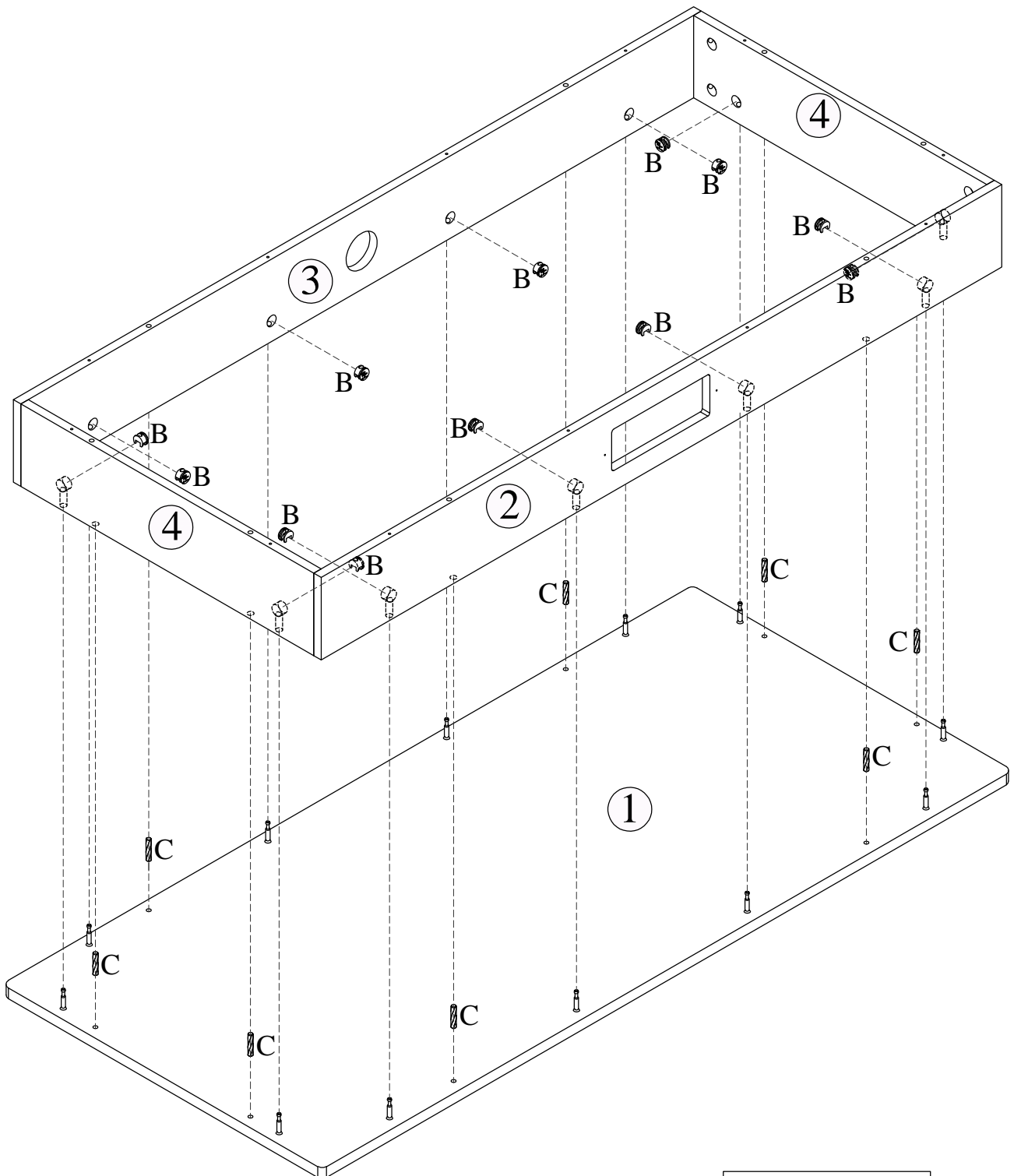
		
Ø6.5*35mm	Ø15*9mm	Ø6*30mm
A X 8	B X 8	C X 4


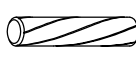


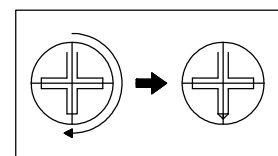
Lock Minifix cap clockwise

ASSEMBLY INSTRUCTION

Step 27



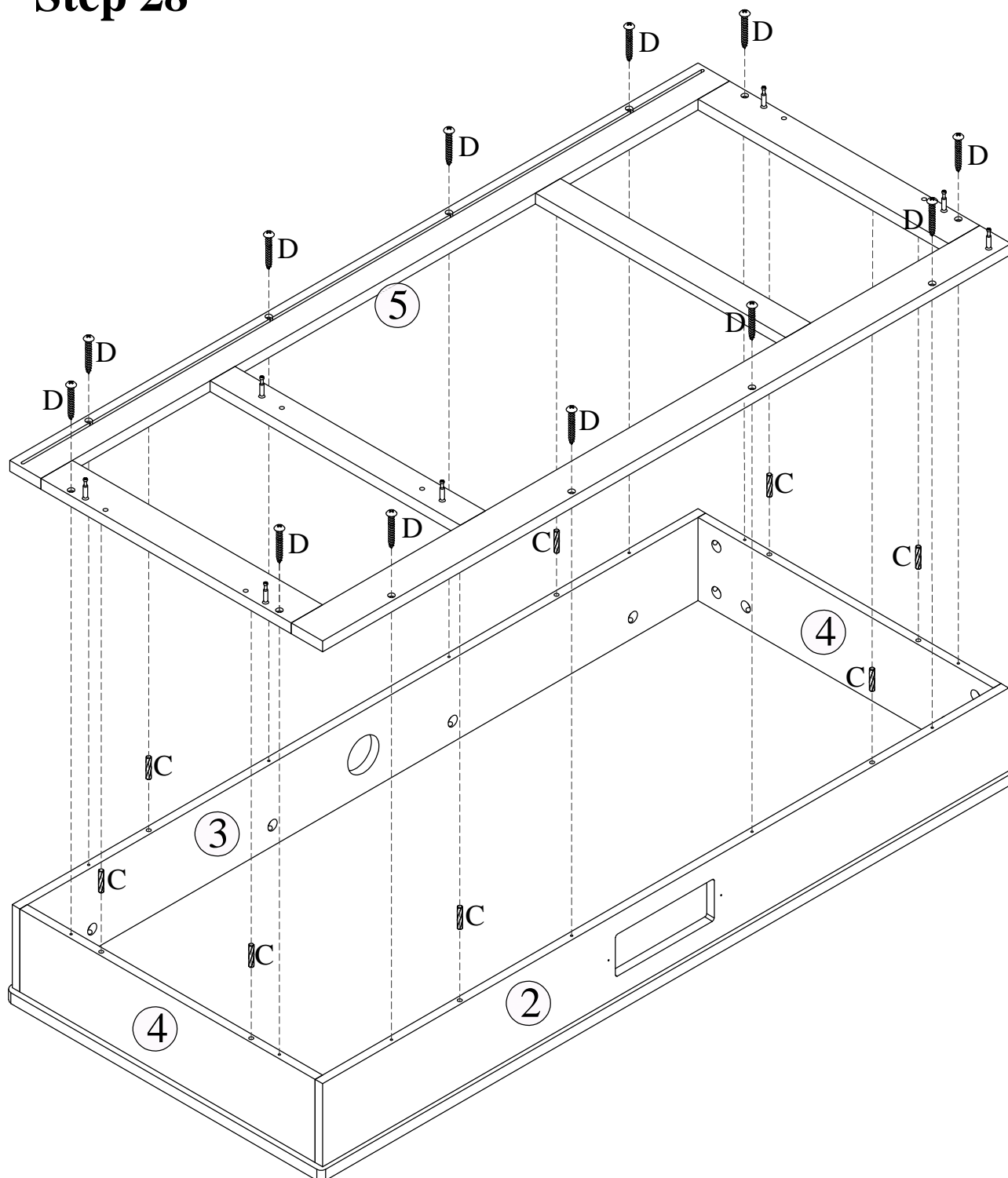
	
Ø15*9mm	Ø6*30mm
B X 12	C X 8

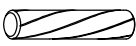



Lock Minifix cap clockwise

ASSEMBLY INSTRUCTION

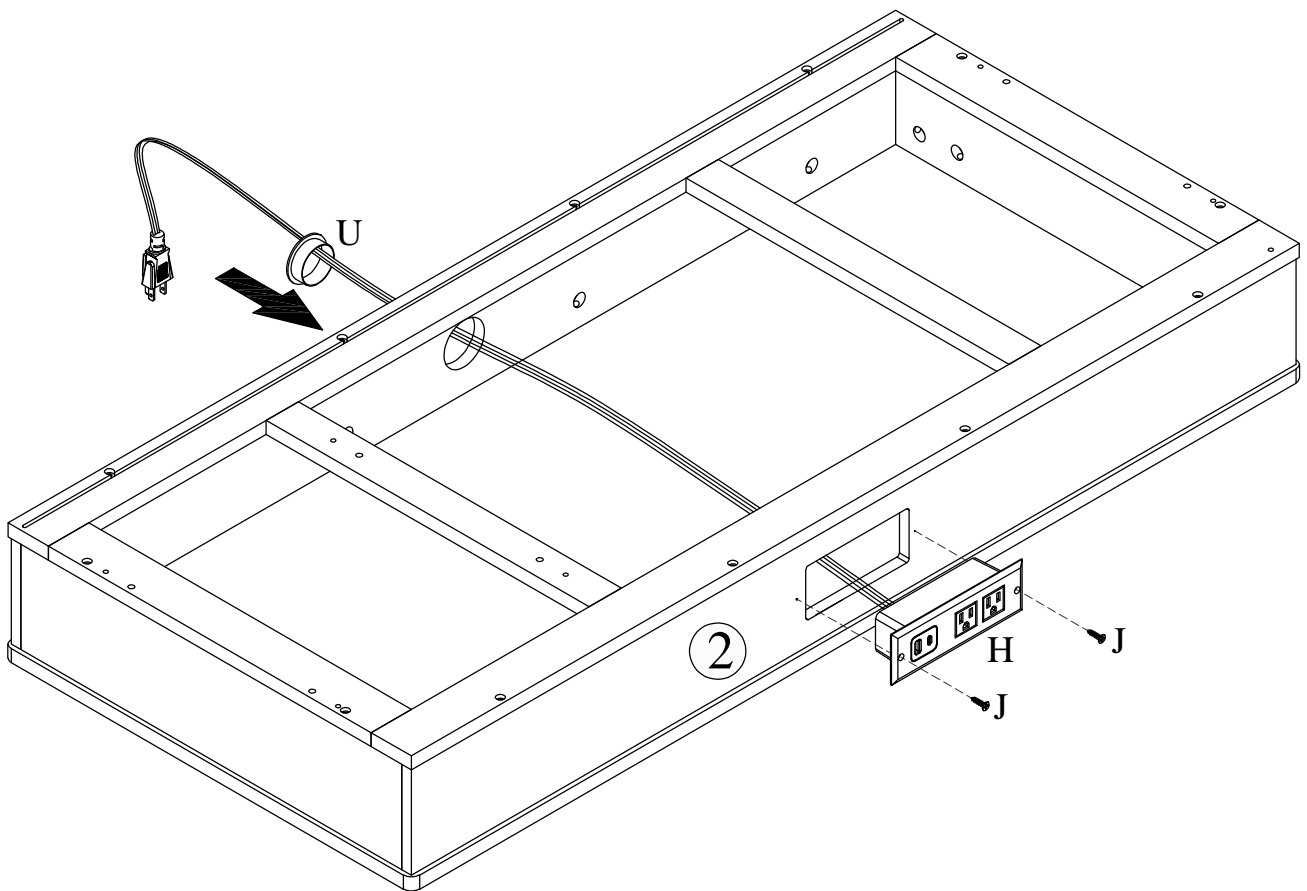
Step 28






	
Ø6*30mm	Ø4*35mm
C X 8	D X 12

ASSEMBLY INSTRUCTION

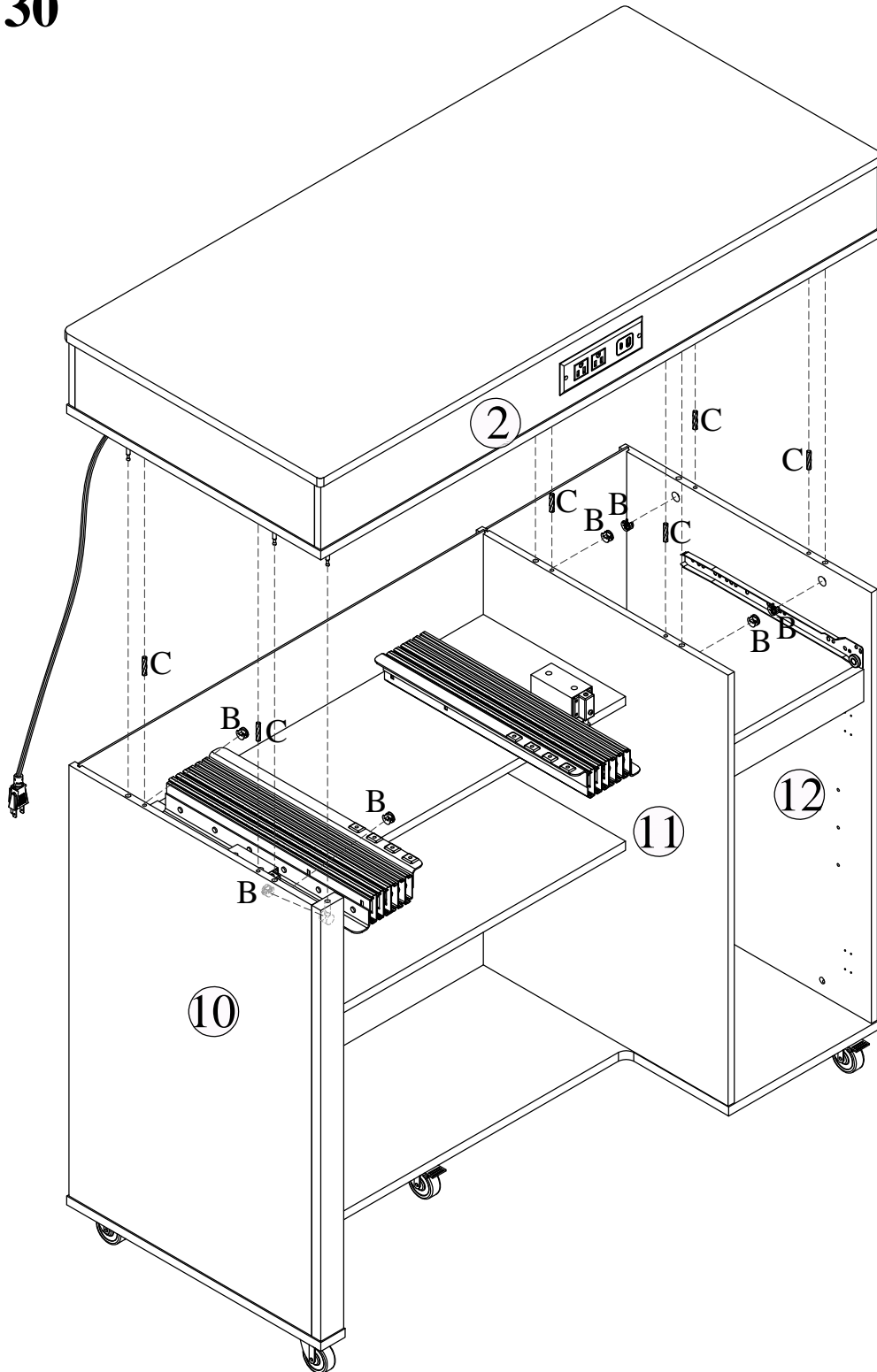
Step 29





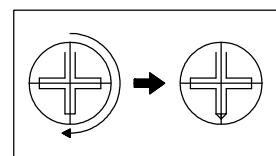
	 Ø3*12mm	
H X 1	J X 2	U X 1

ASSEMBLY INSTRUCTION

Step 30



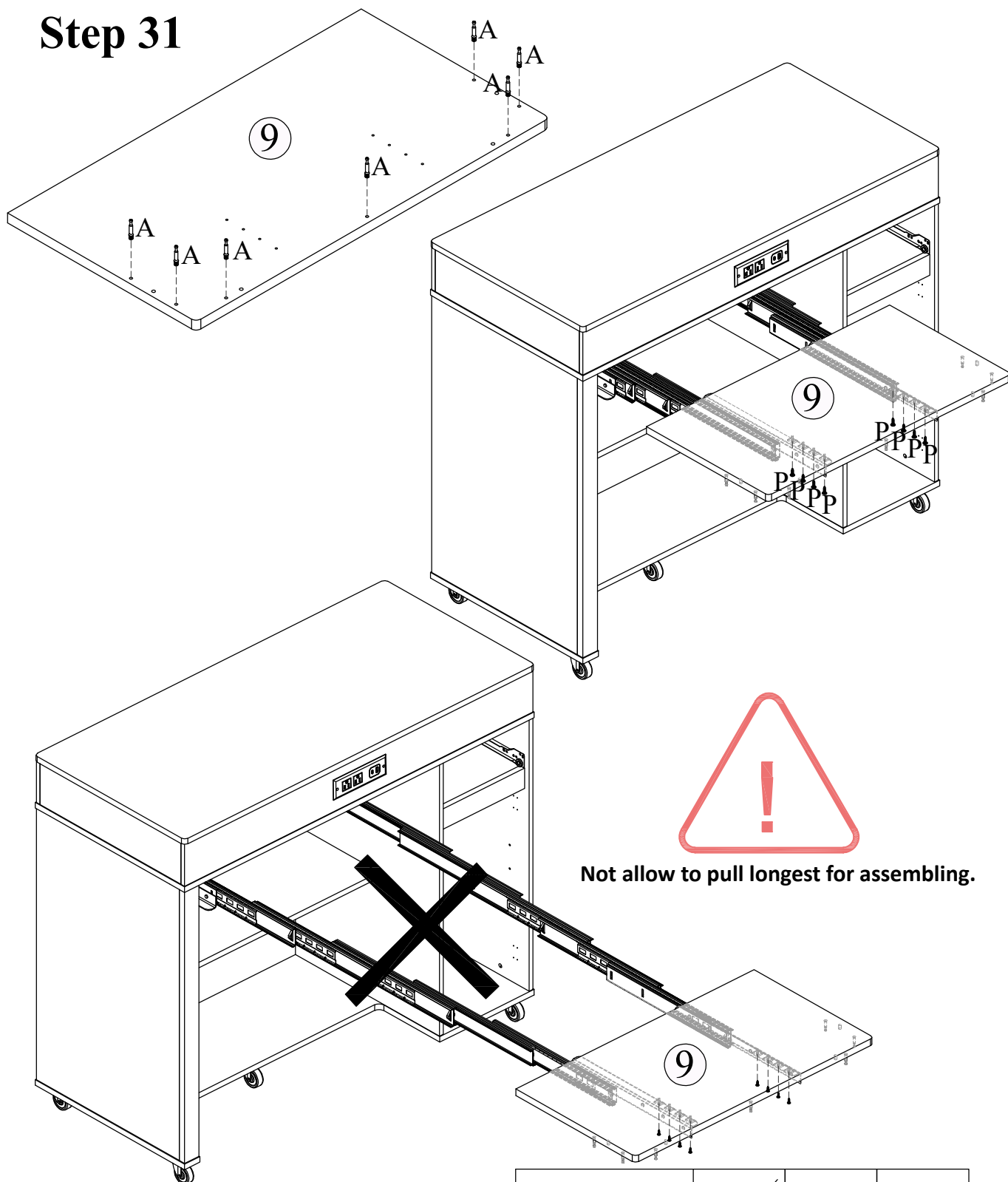
	
B X 7	C X 6



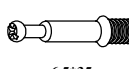

Lock Minifix cap clockwise

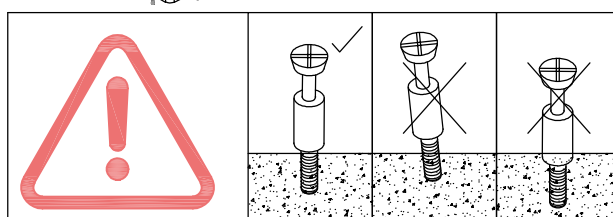
ASSEMBLY INSTRUCTION

Step 31



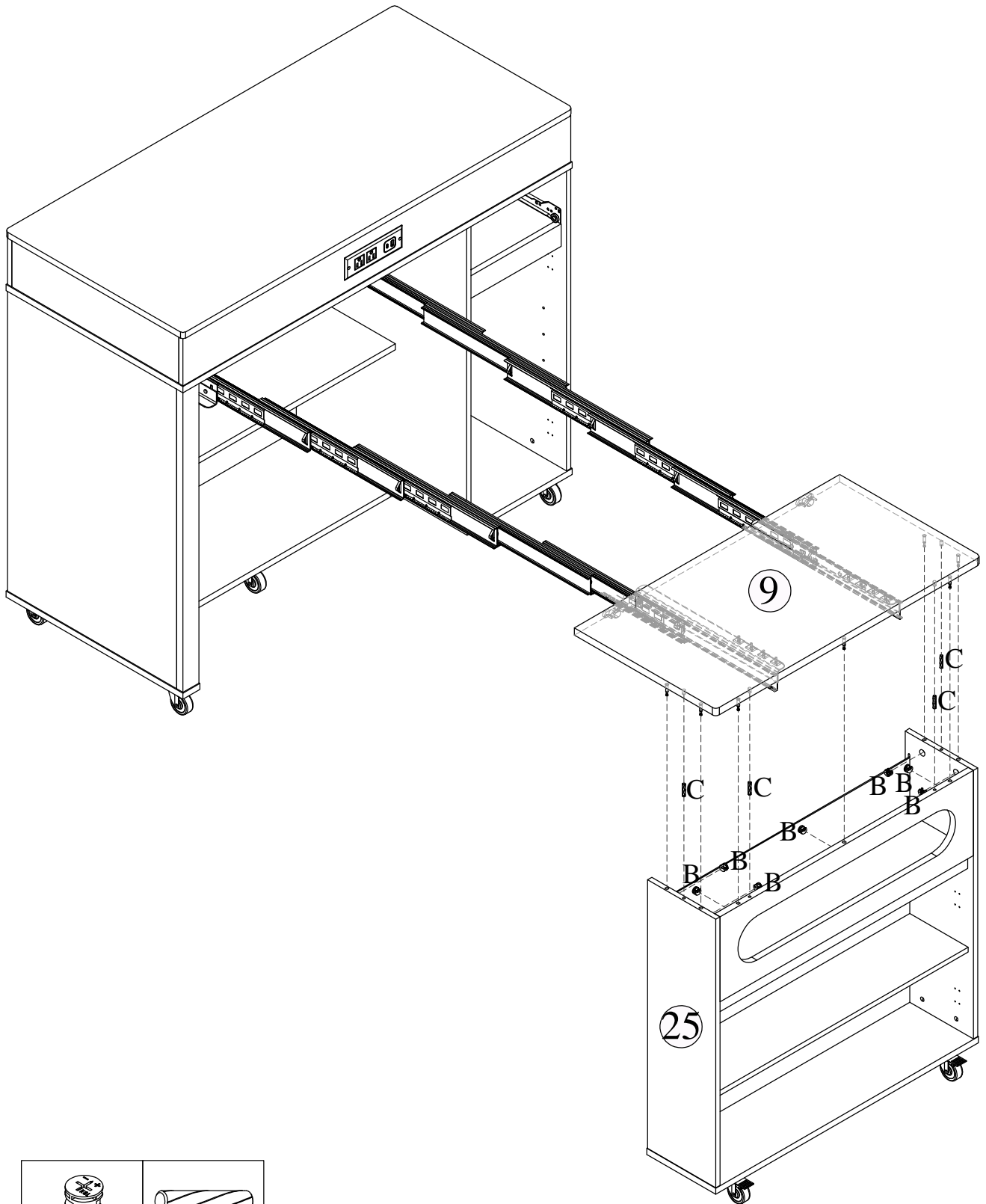
Not allow to pull longest for assembling.



	
6.5*35mm	5*16mm
A X 7	P X 8



ASSEMBLY INSTRUCTION

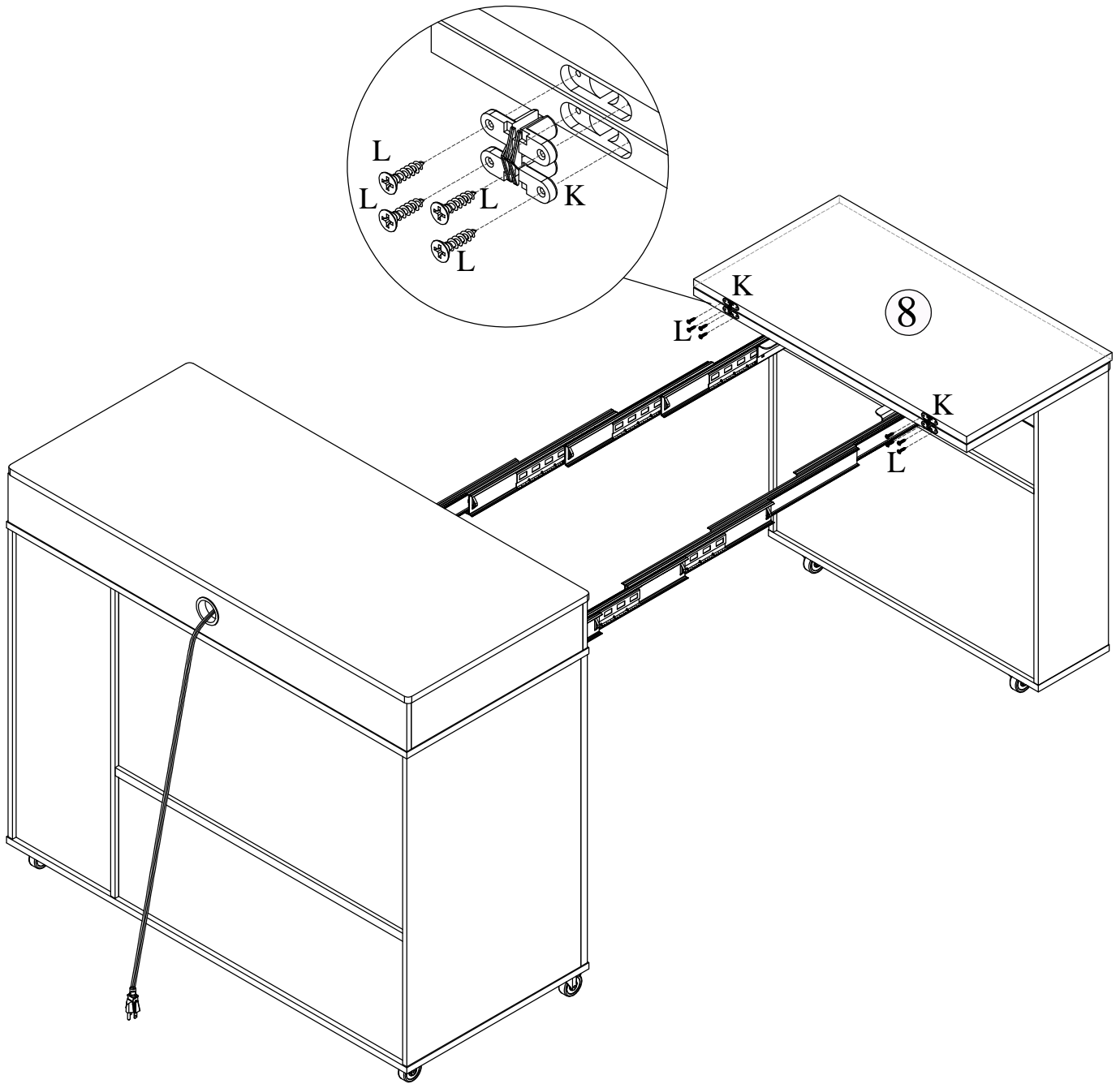
Step 32

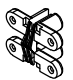



	
Ø15*9mm	Ø6*30mm
B X 7	C X 4

ASSEMBLY INSTRUCTION

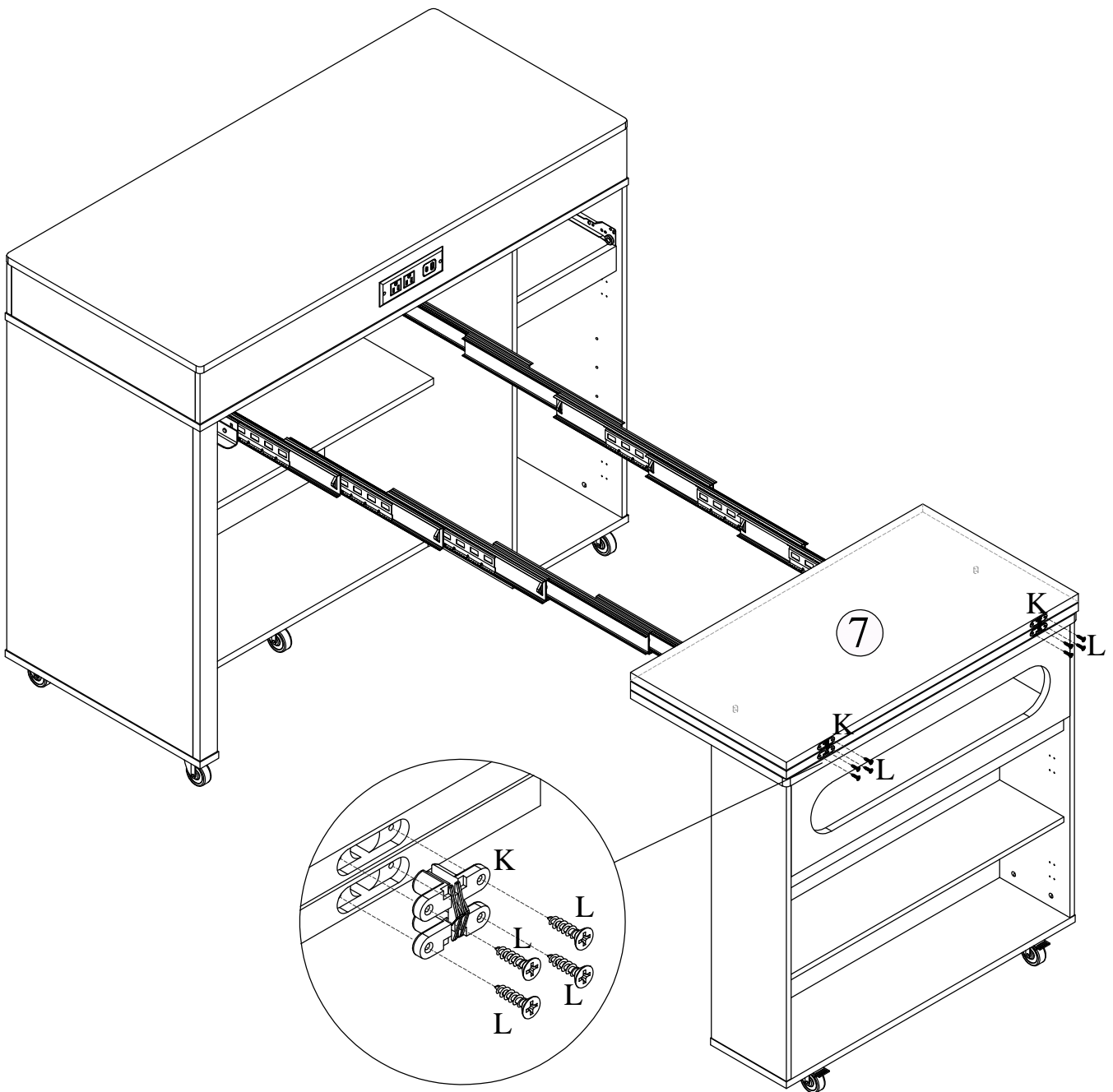
Step 33





	
K X 2	L X 8 Ø4*19mm

ASSEMBLY INSTRUCTION

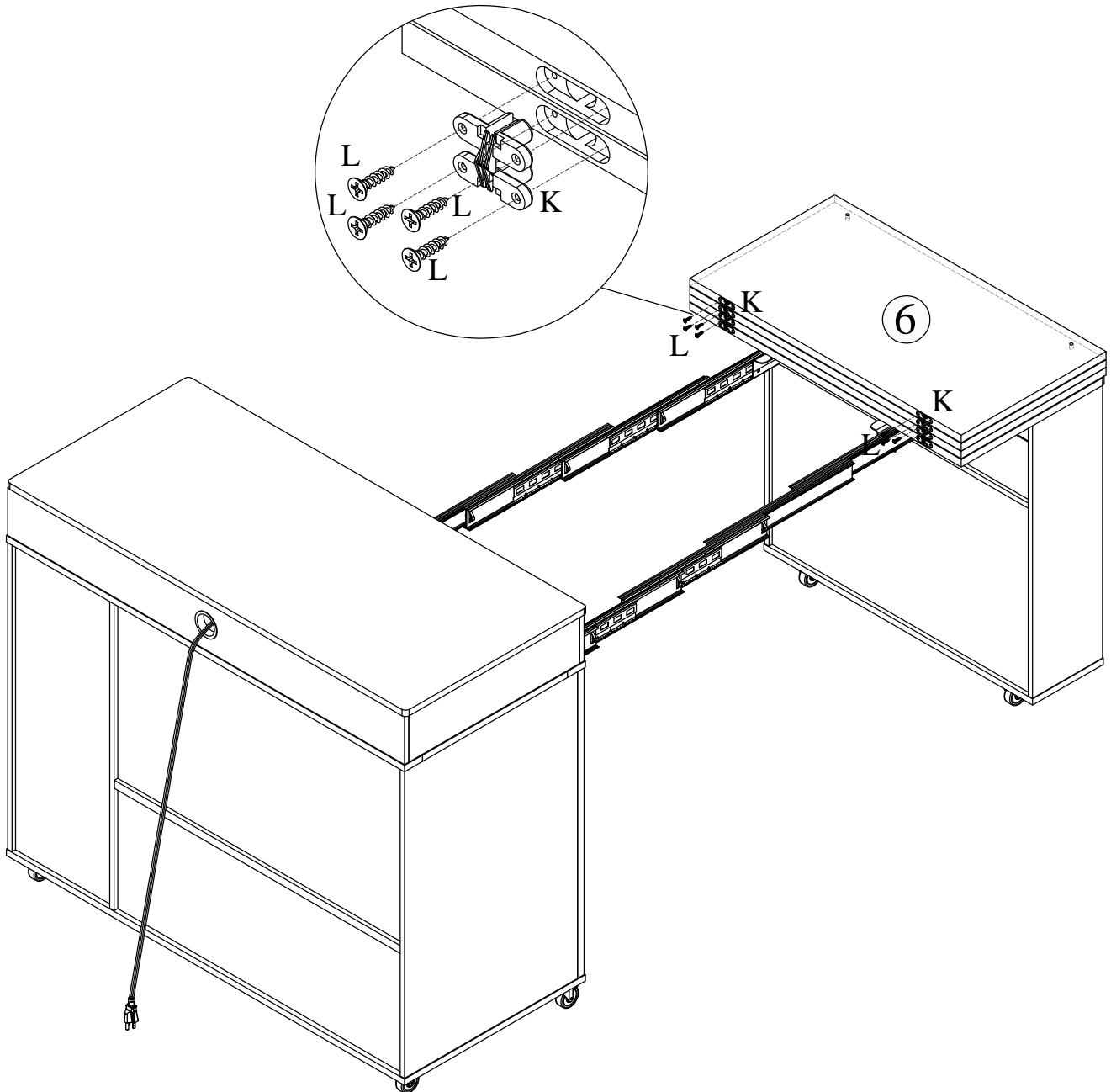
Step 34

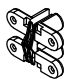



	
K X 2	L X 8

ASSEMBLY INSTRUCTION

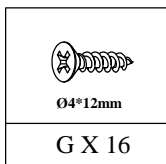
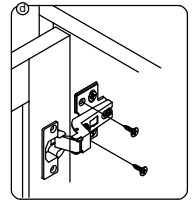
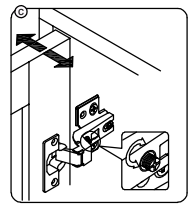
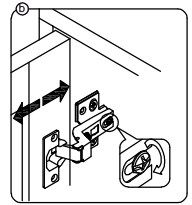
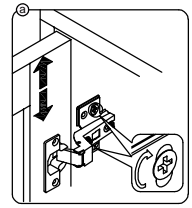
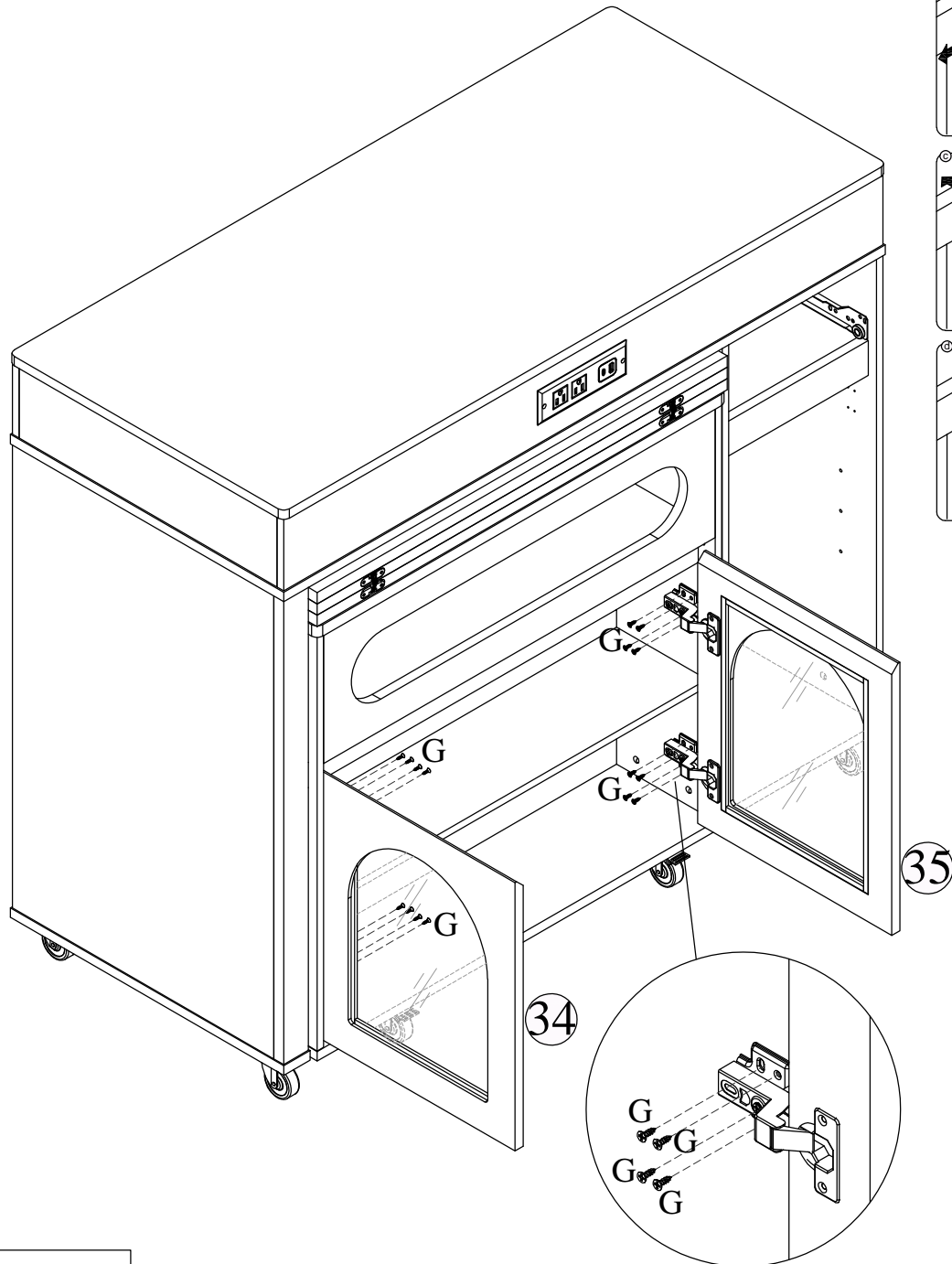
Step 35



	
K X 2	04*19mm L X 8

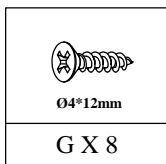
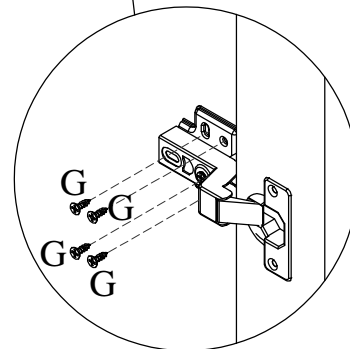
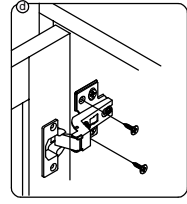
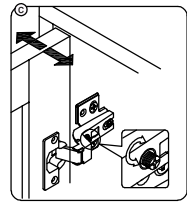
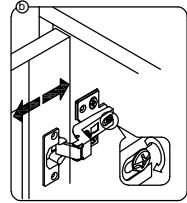
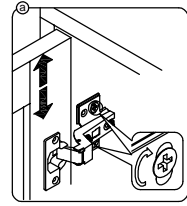
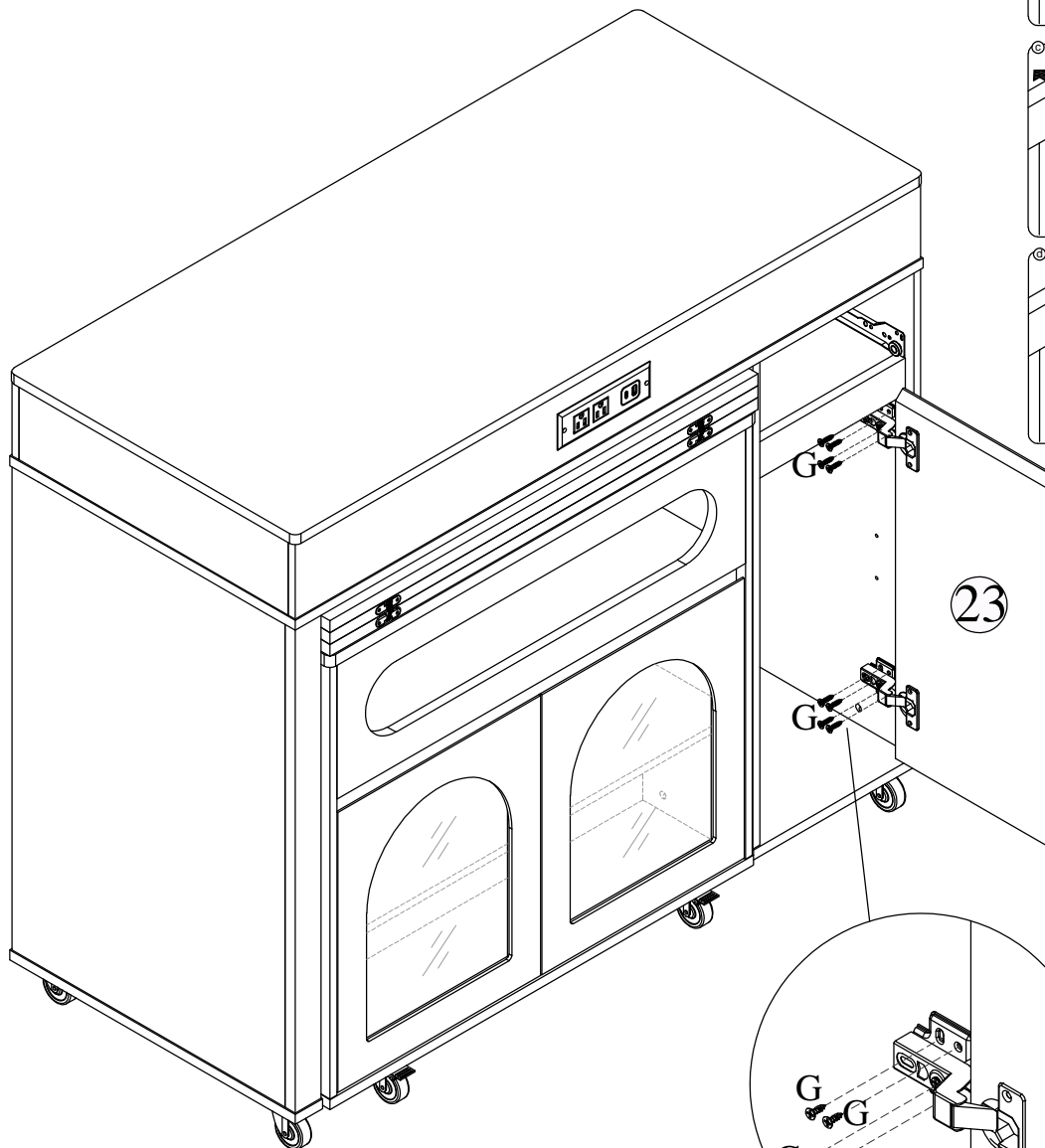
ASSEMBLY INSTRUCTION

Step 36



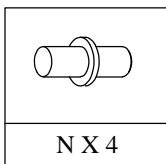
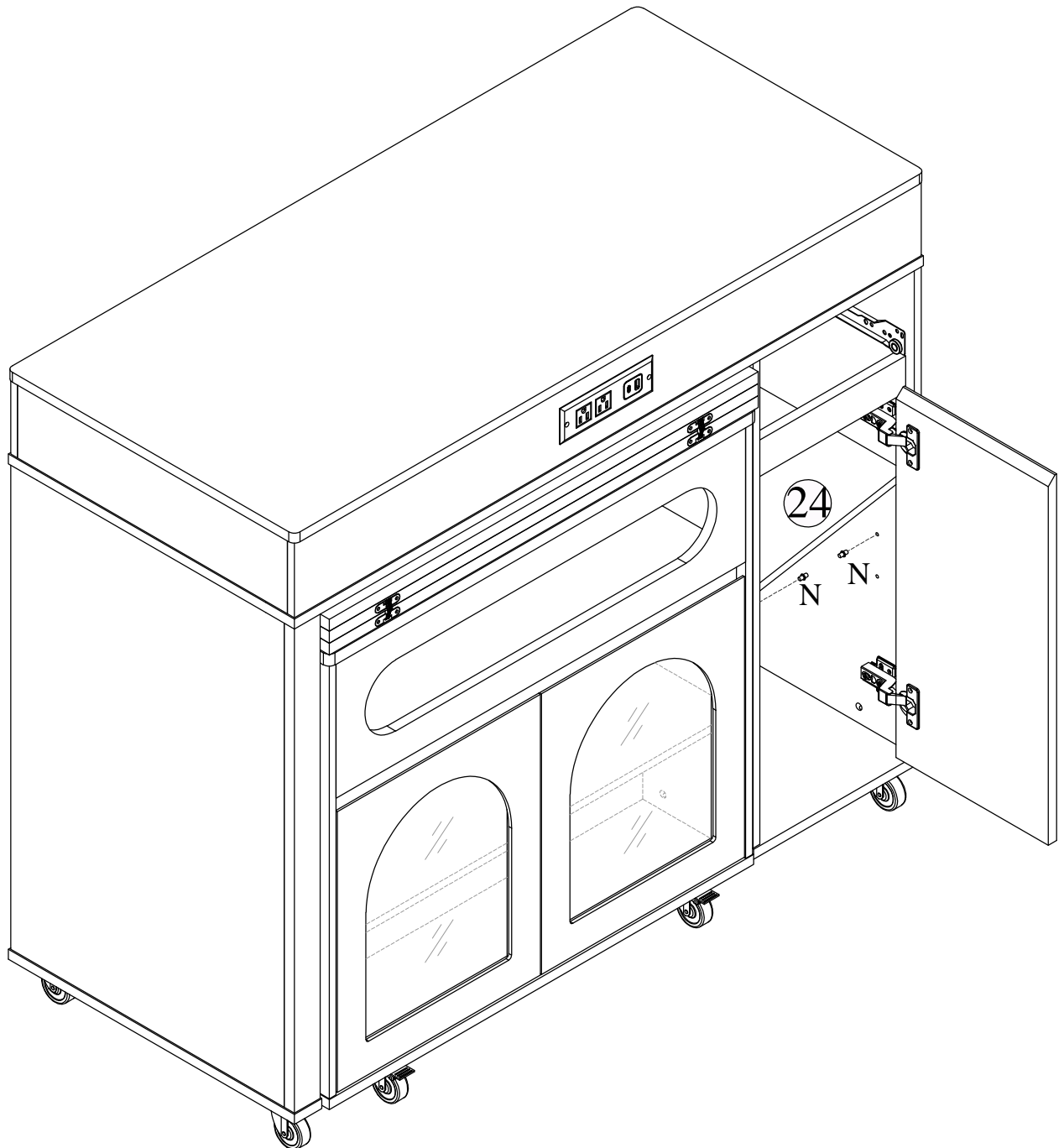
ASSEMBLY INSTRUCTION

Step 37



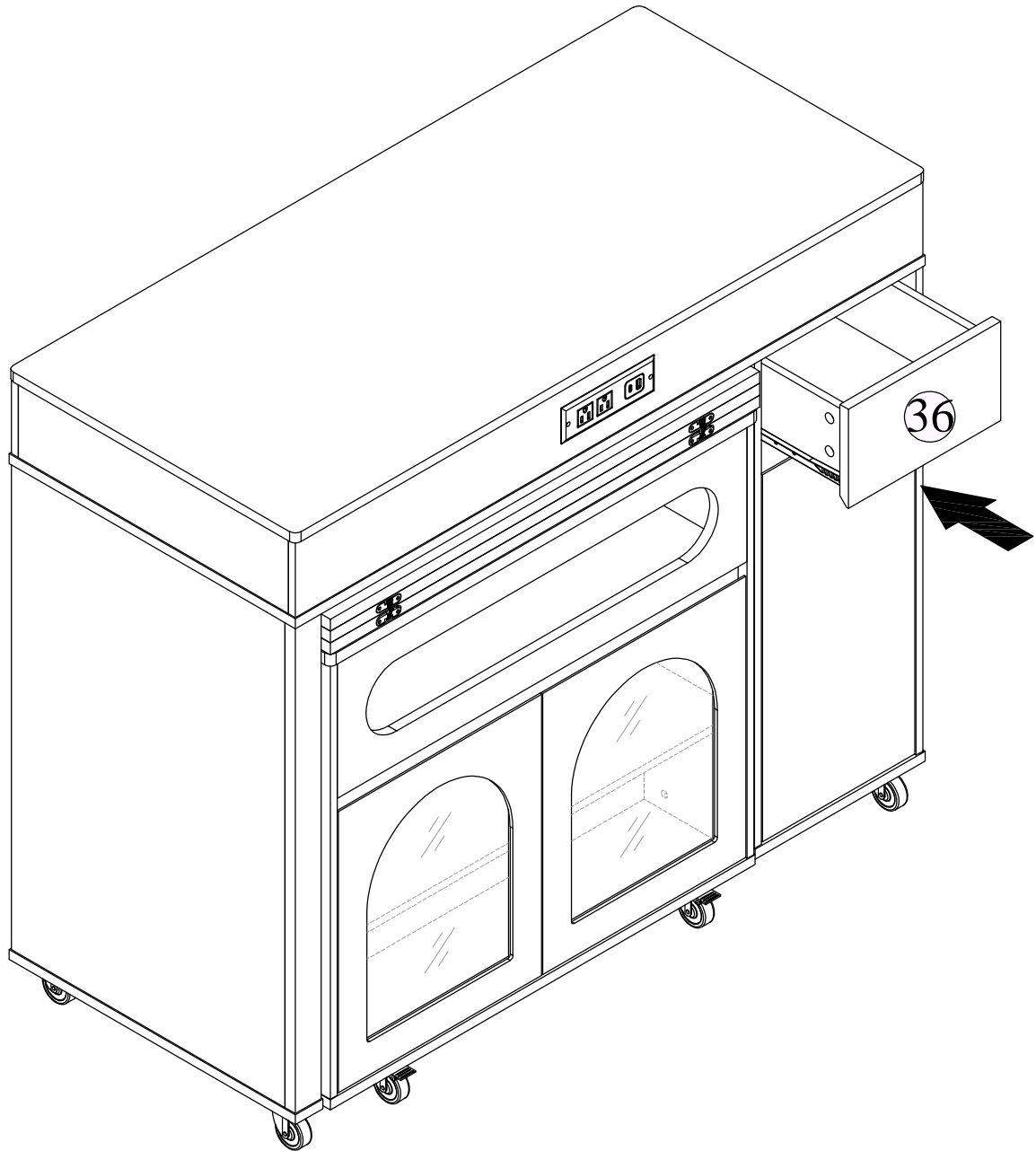
ASSEMBLY INSTRUCTION

Step 38



ASSEMBLY INSTRUCTION

Step 39

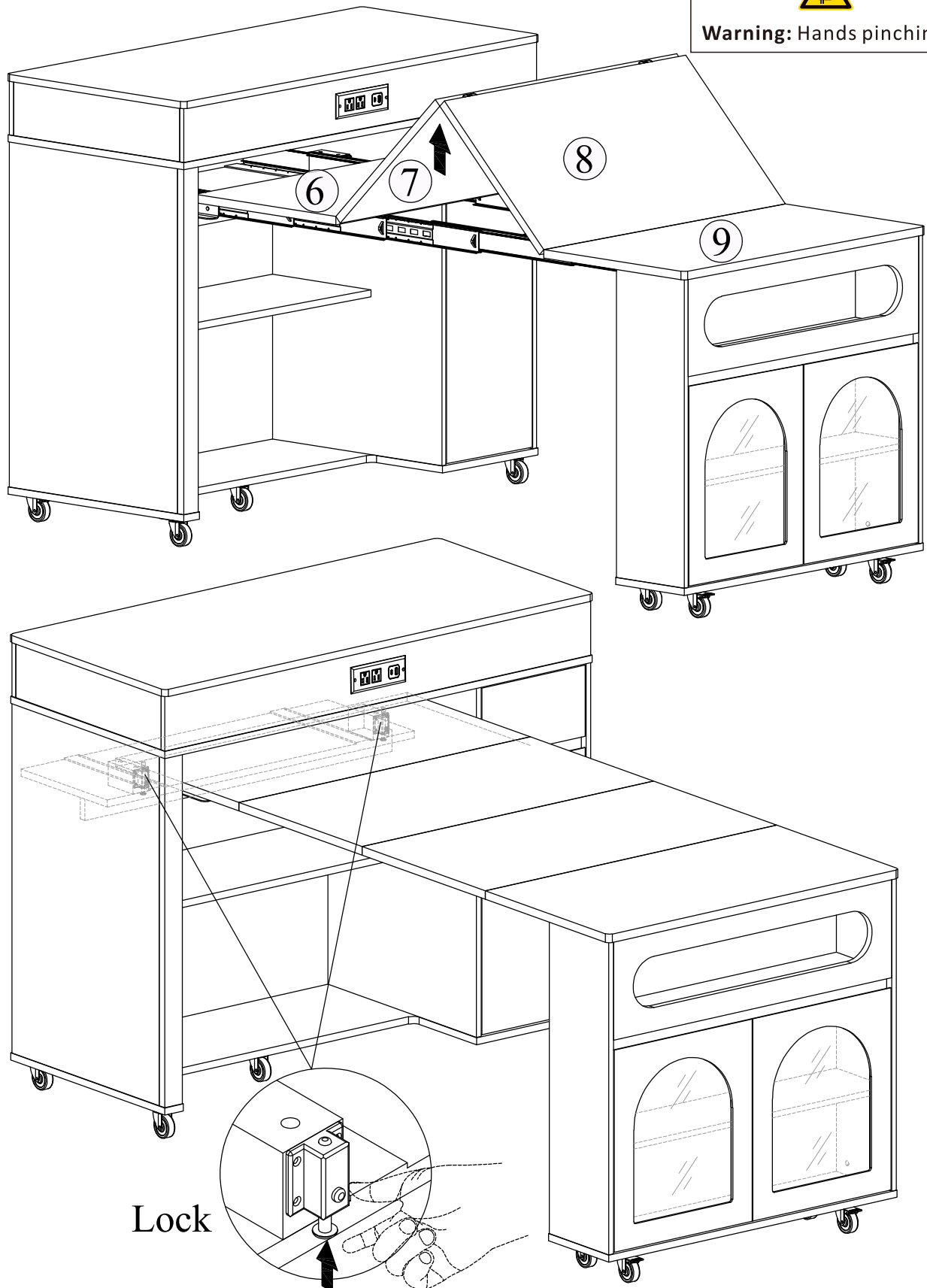


ASSEMBLY INSTRUCTION

Step 40 Option 1:



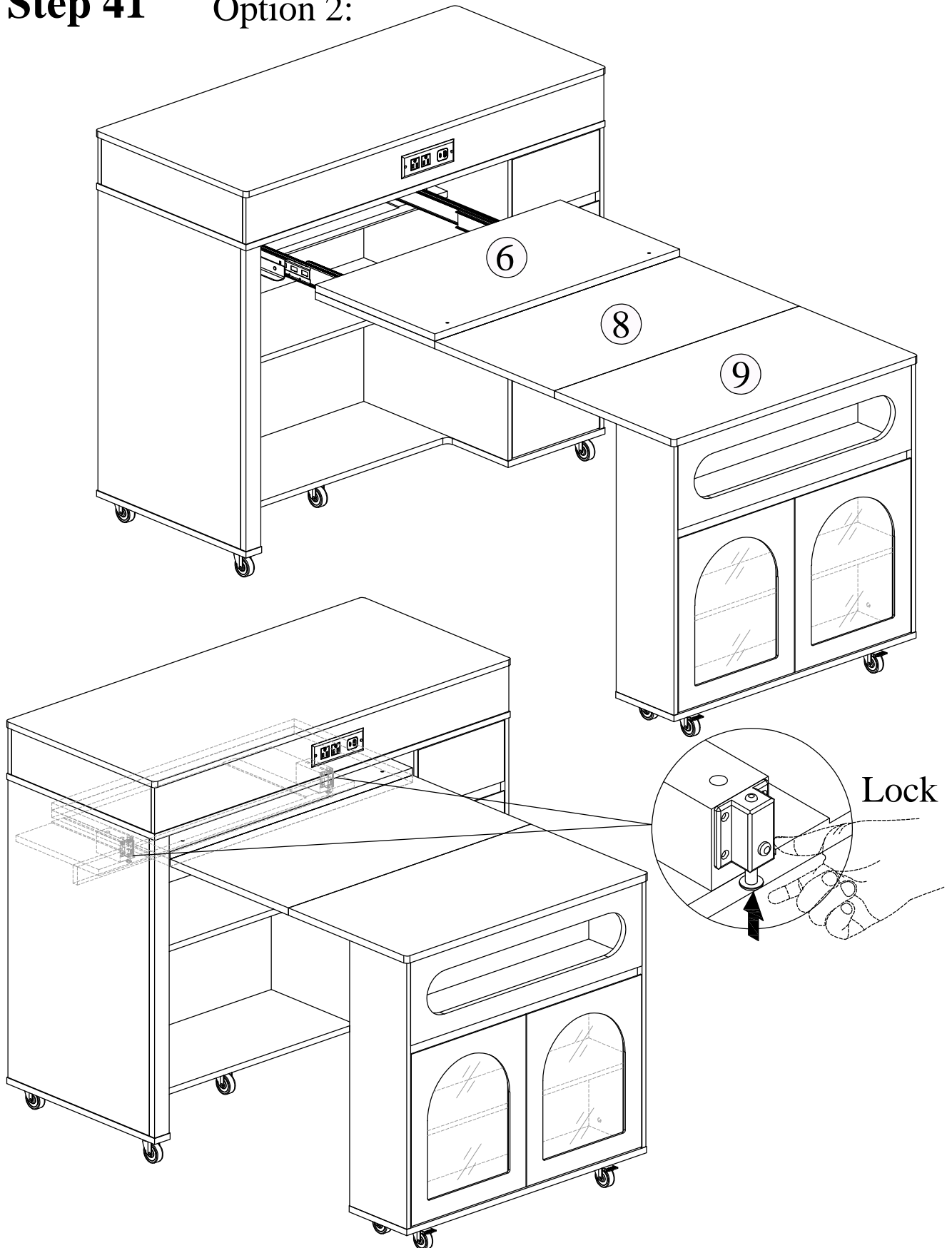
Warning: Hands pinching.



Lock

ASSEMBLY INSTRUCTION

Step 41 Option 2:



ASSEMBLY INSTRUCTION

Step 42 Option 3:



Warning: Hands pinching.

