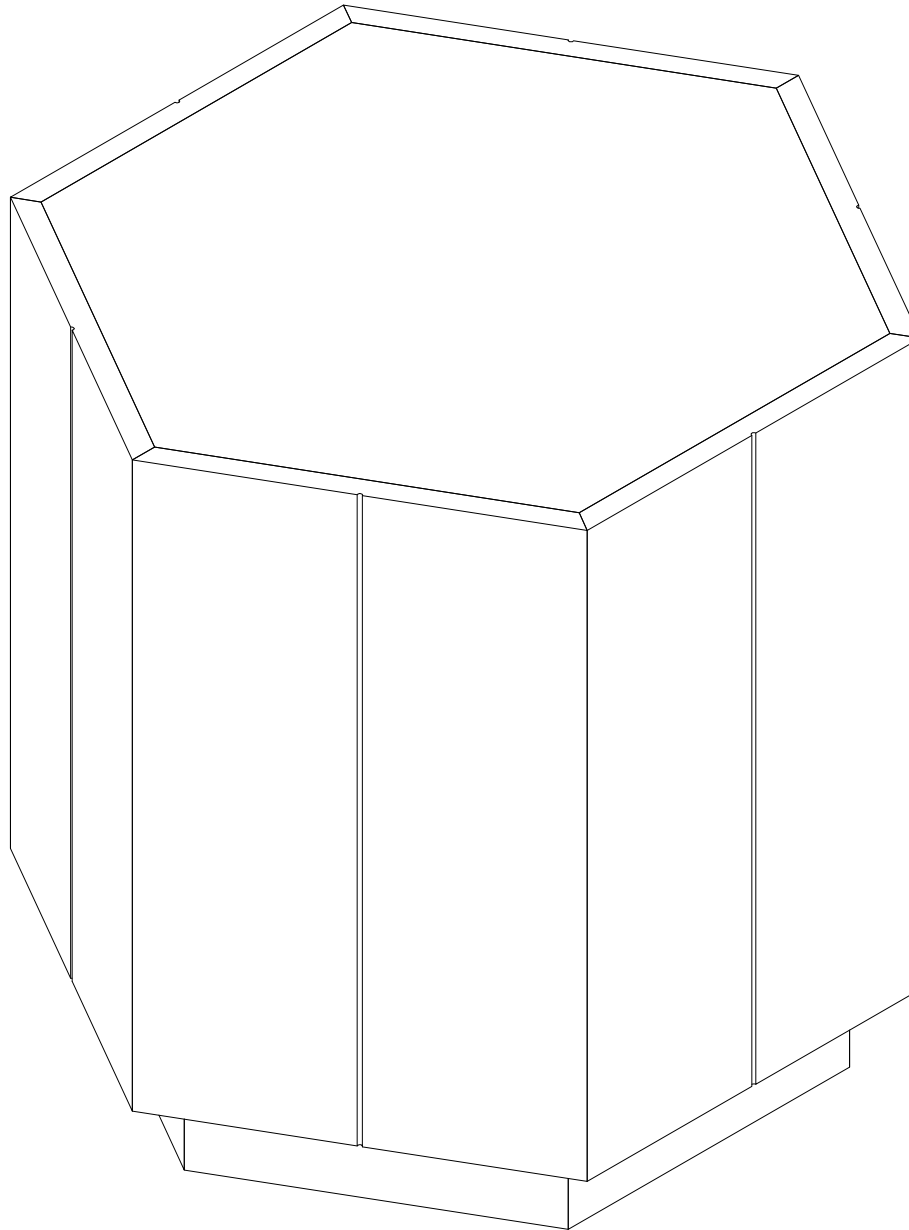
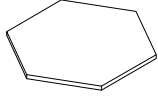
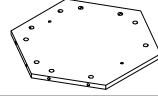
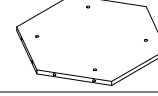
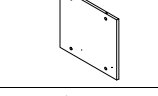
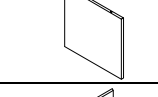
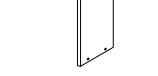
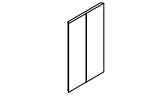
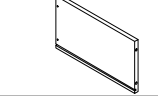
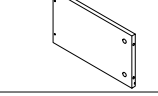
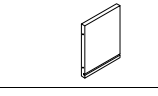
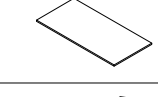
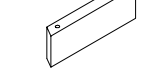


User Manual
ASSEMBLY INSTRUCTION

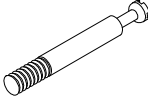
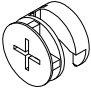

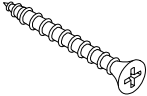




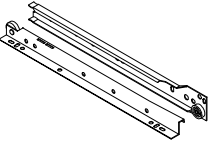
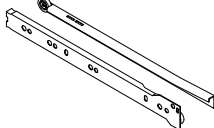

Parts List

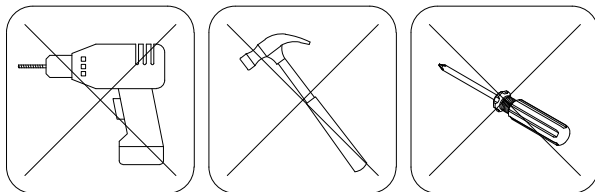
NO.	Drawing	Dimension	QTY
1		485*420*15mm	1
2		485*420*15mm	1
3		485*420*15mm	1
4		385*420*15mm	1
5		385*420*15mm	1
6		440*260*15mm	5

NO.	Drawing	Dimension	QTY
7		440*260*15mm	1
8		350*200*15mm	1
9		350*200*15mm	1
10		156*200*15mm	1
11		166*344*4mm	1
12		220*70*25mm	6

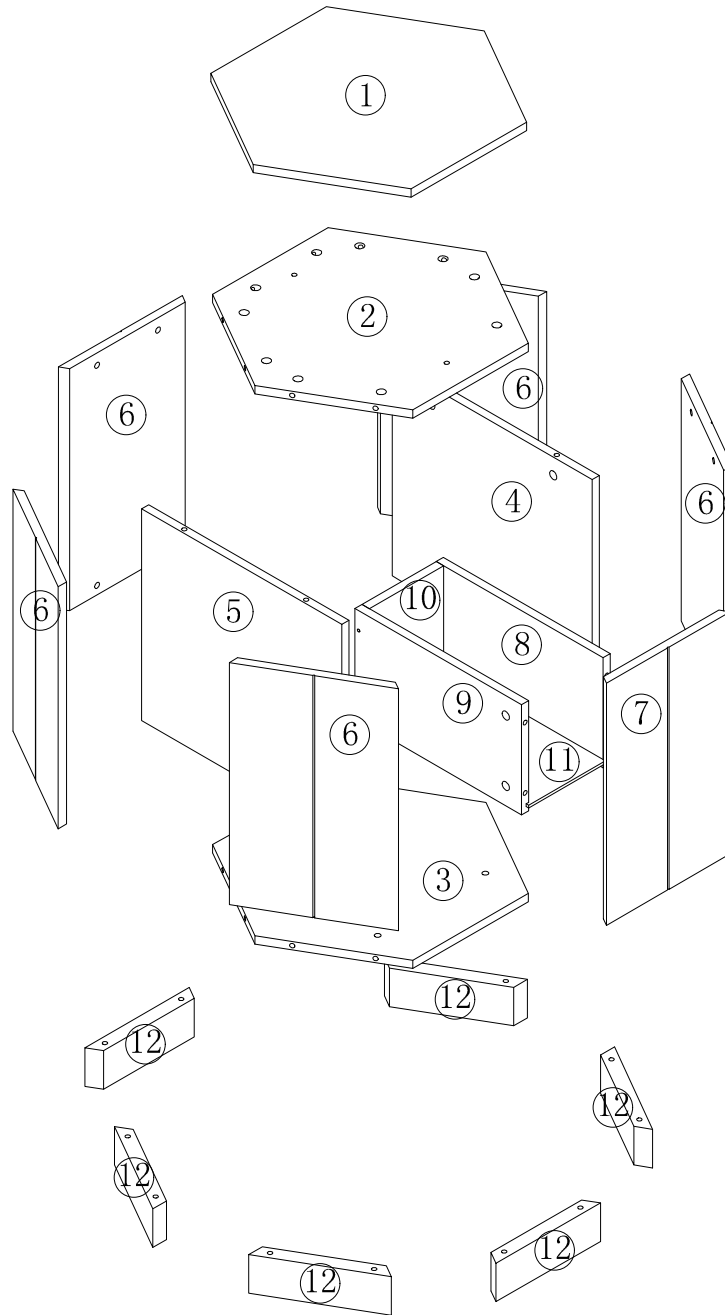
Hardware Fitting

NO.	Drawing	QTY
A		32
B		32
C	 3.5*14mm	8
D	 3.5*35mm	4

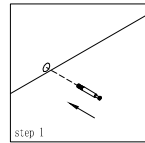
NO.	Drawing	QTY
E	 6*25mm	2
F	 6*75mm	12
G		1
H		1
I		1



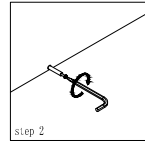
Split Graph



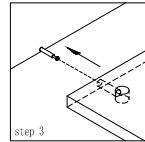
Cam Coupling Using Methods



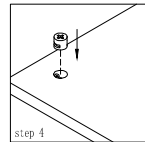
Step1.
Connect the cam coupling A as directed in the assembly instructions using hand.



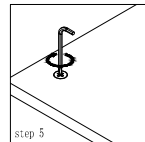
Step2.
Screw the cam coupling A as directed in the assembly instructions.



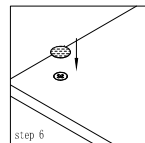
Step3.
Push the cam coupling A into the entry hole.



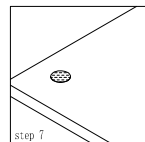
Step4.
Insert the cam coupling B as shown in the instructions.



Step5.
Turn the cam coupling B clockwise with a screwdriver

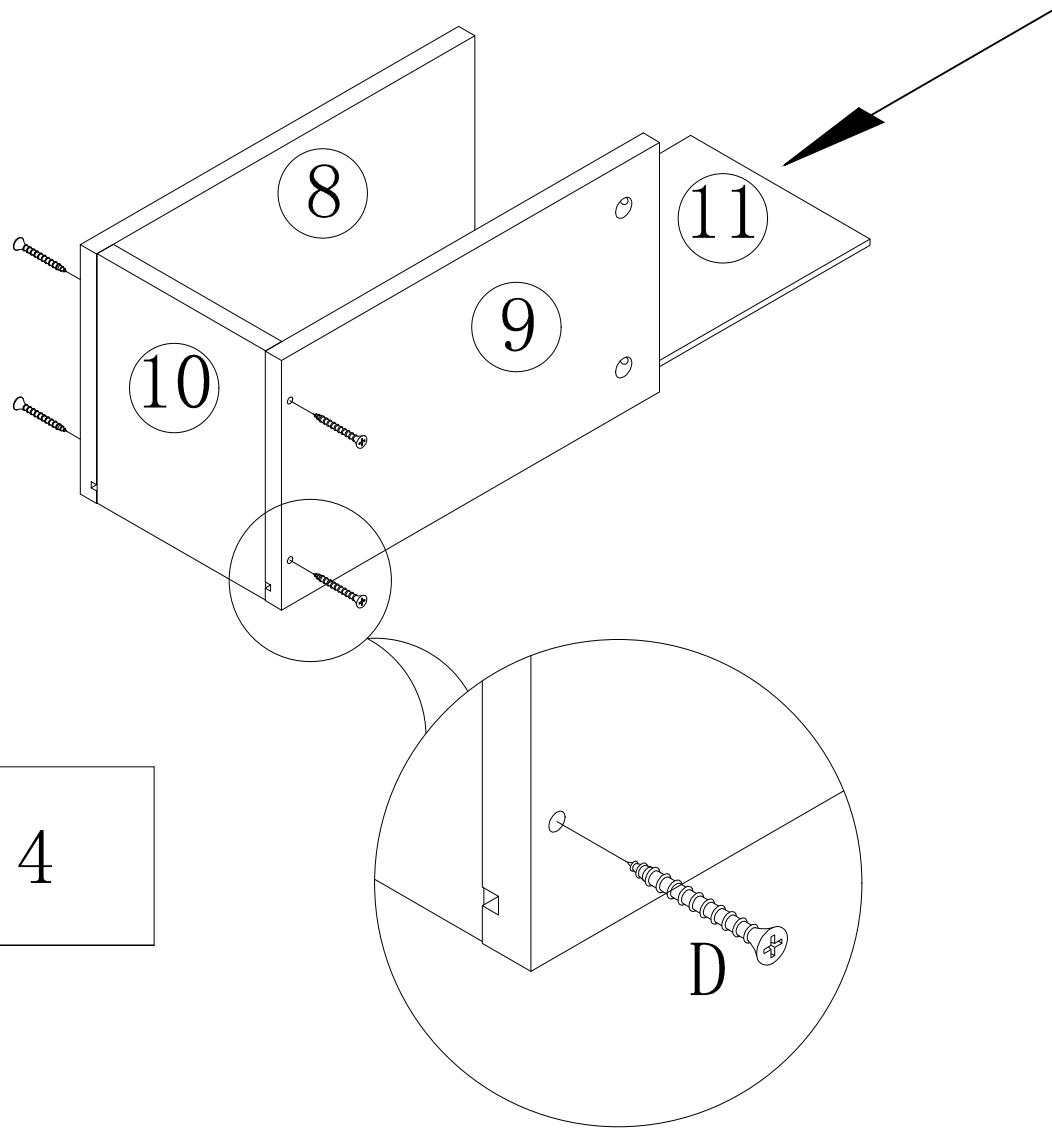


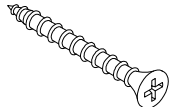
Step6.
Put on Beautycam.

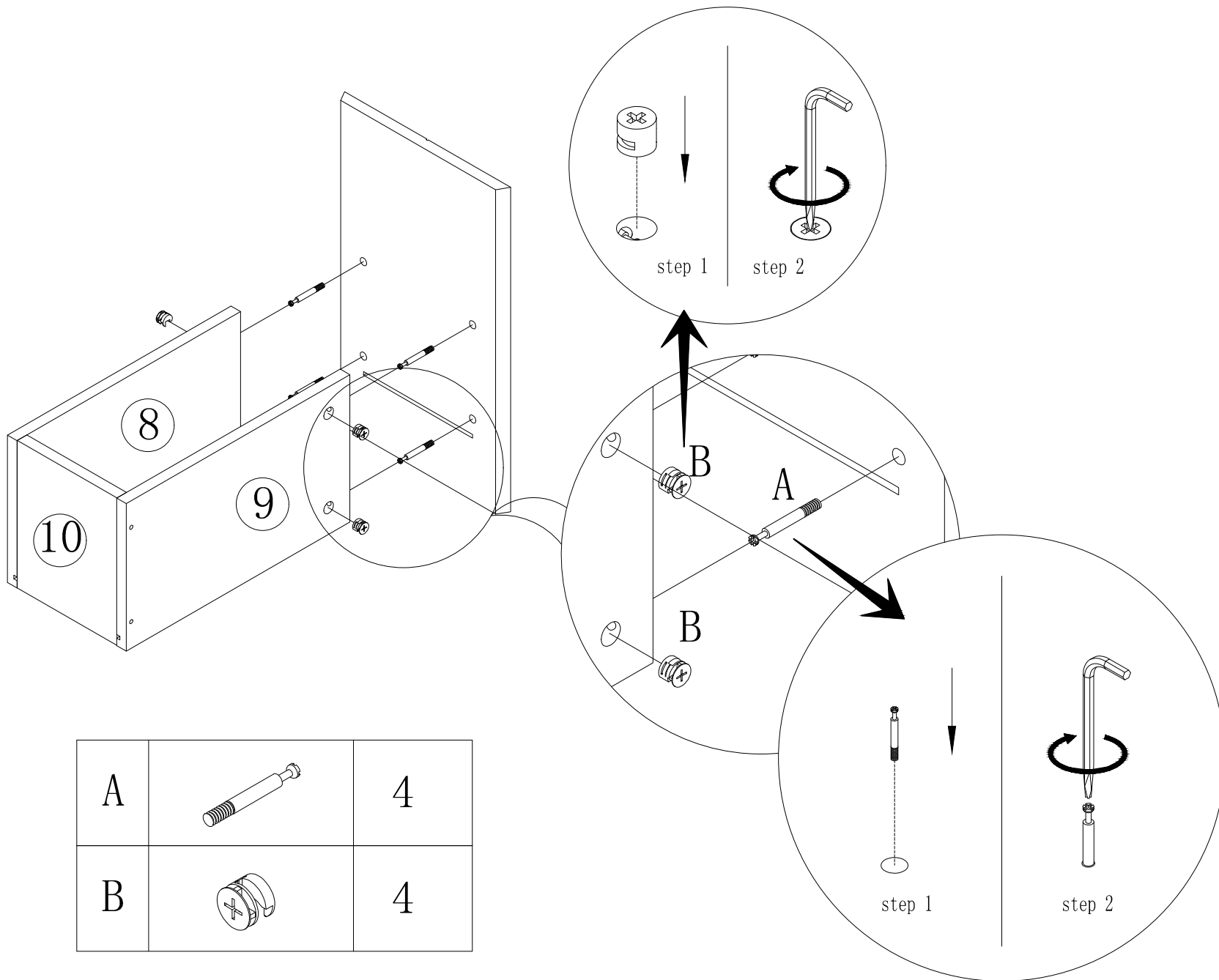



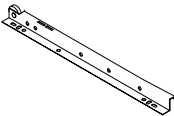
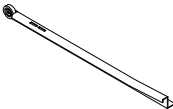
Step7.
Finished.

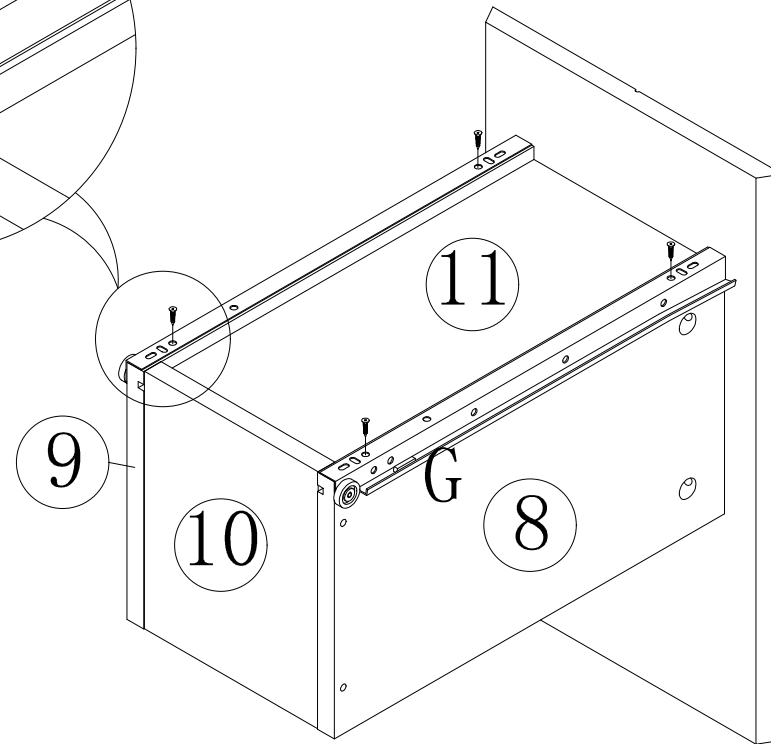
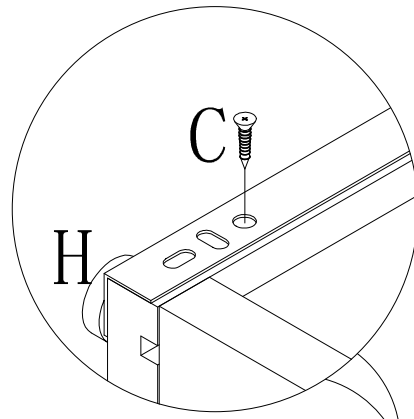
You should feel a click when the camlock is locked in place.
The joint is now secure.

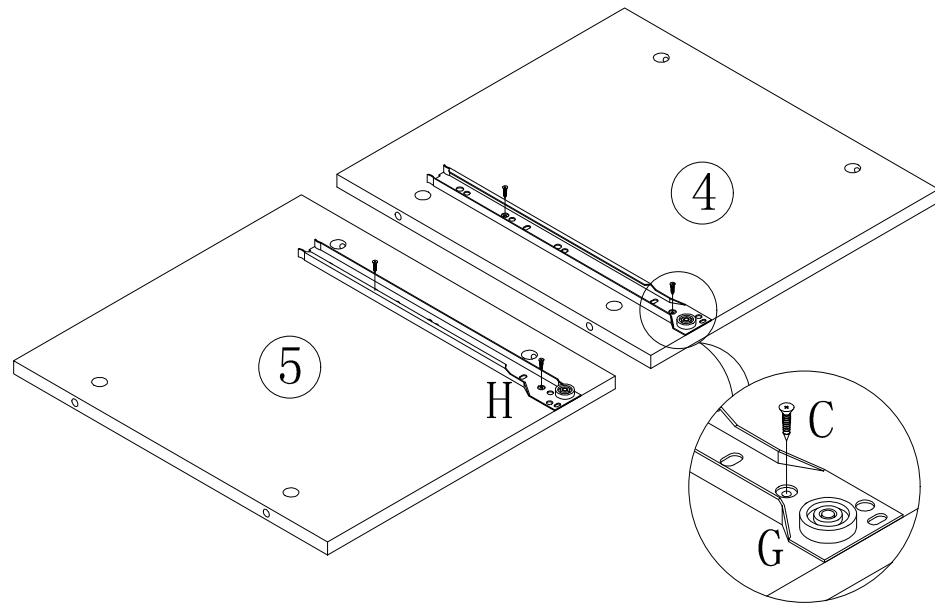



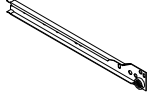
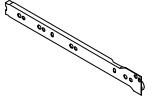
D	 3.5*35mm	4
---	---	---

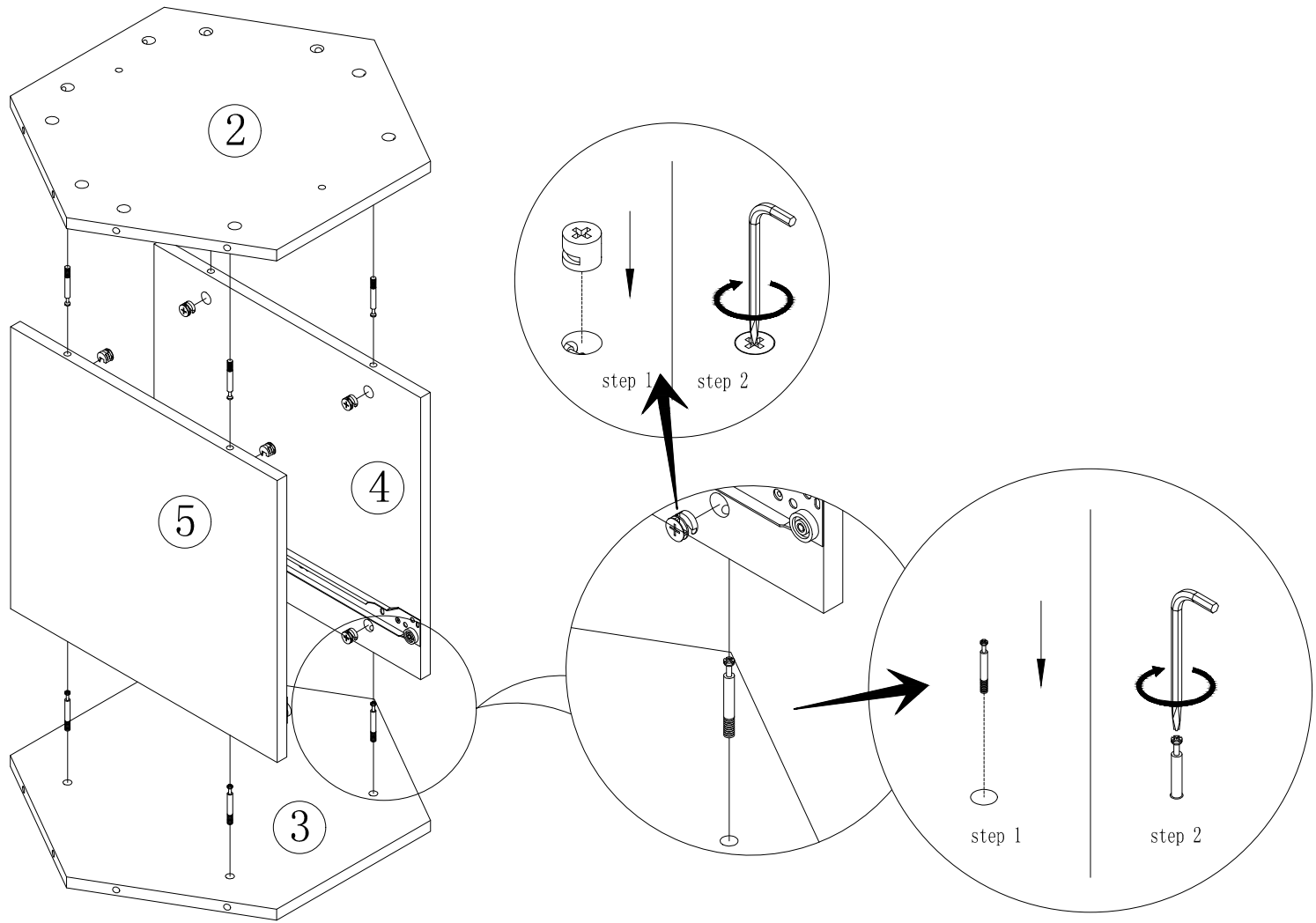


C	 3.5*14mm	4
G		1
H		1

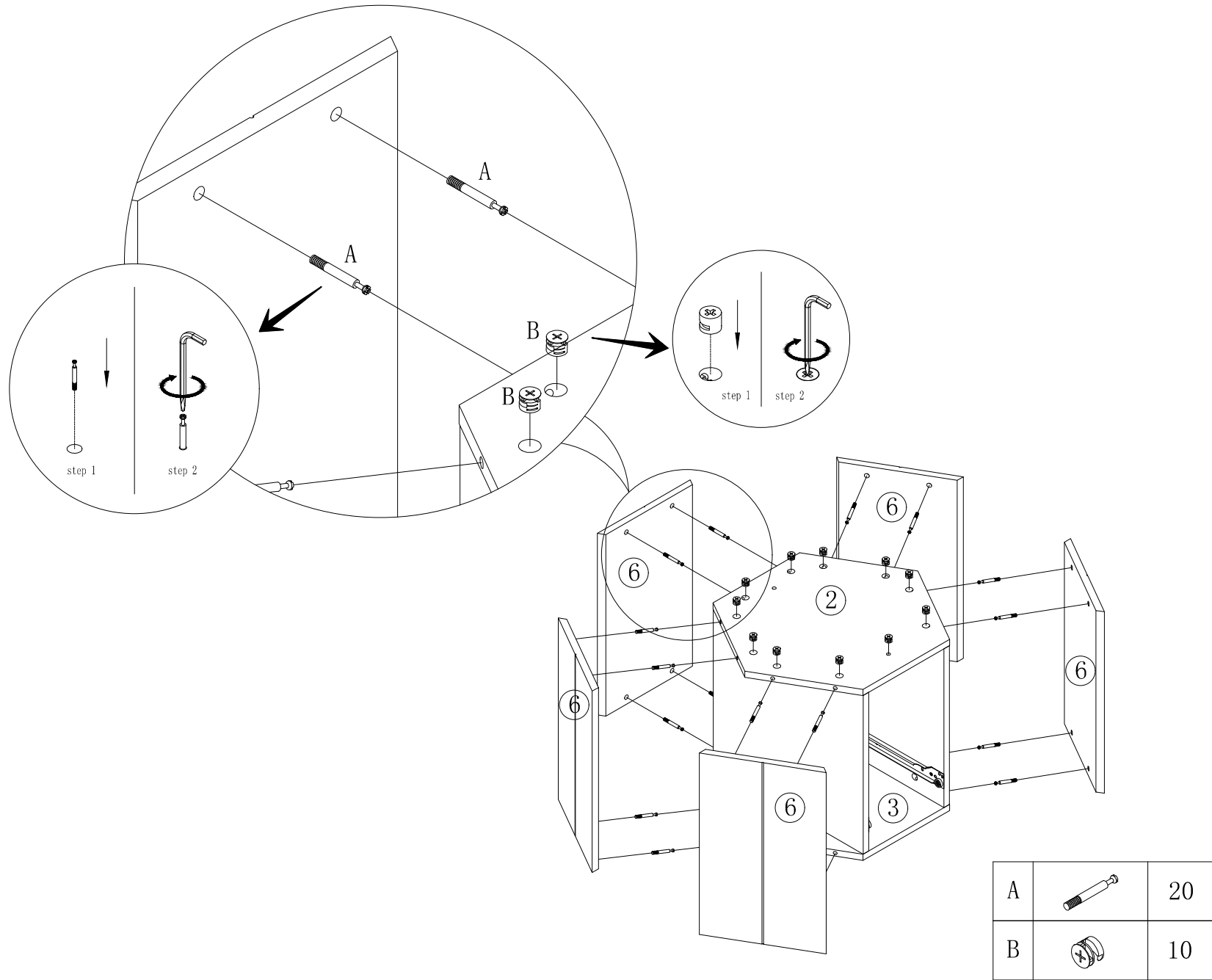


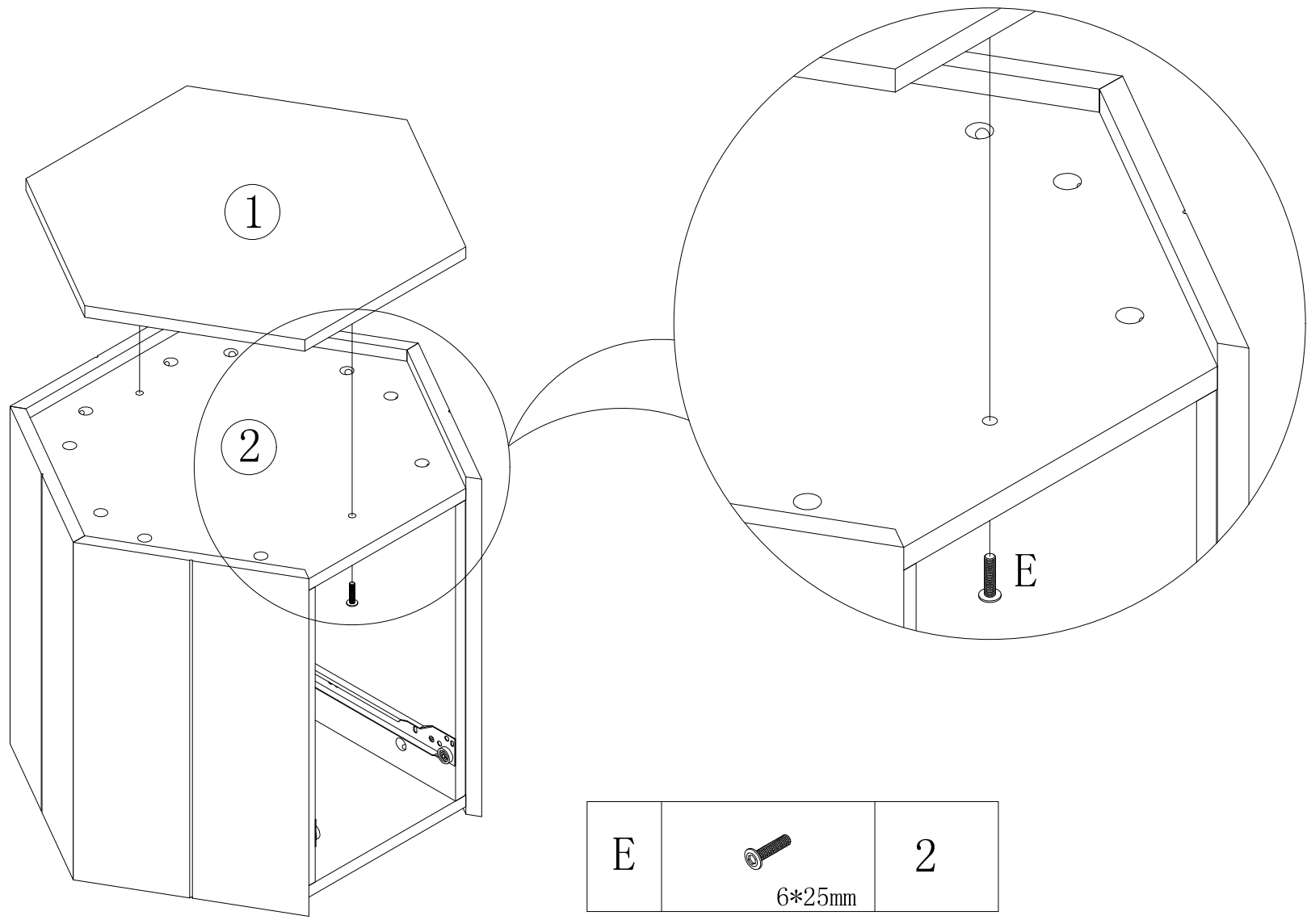



C	 3.5*14mm	4
G		1
H		1

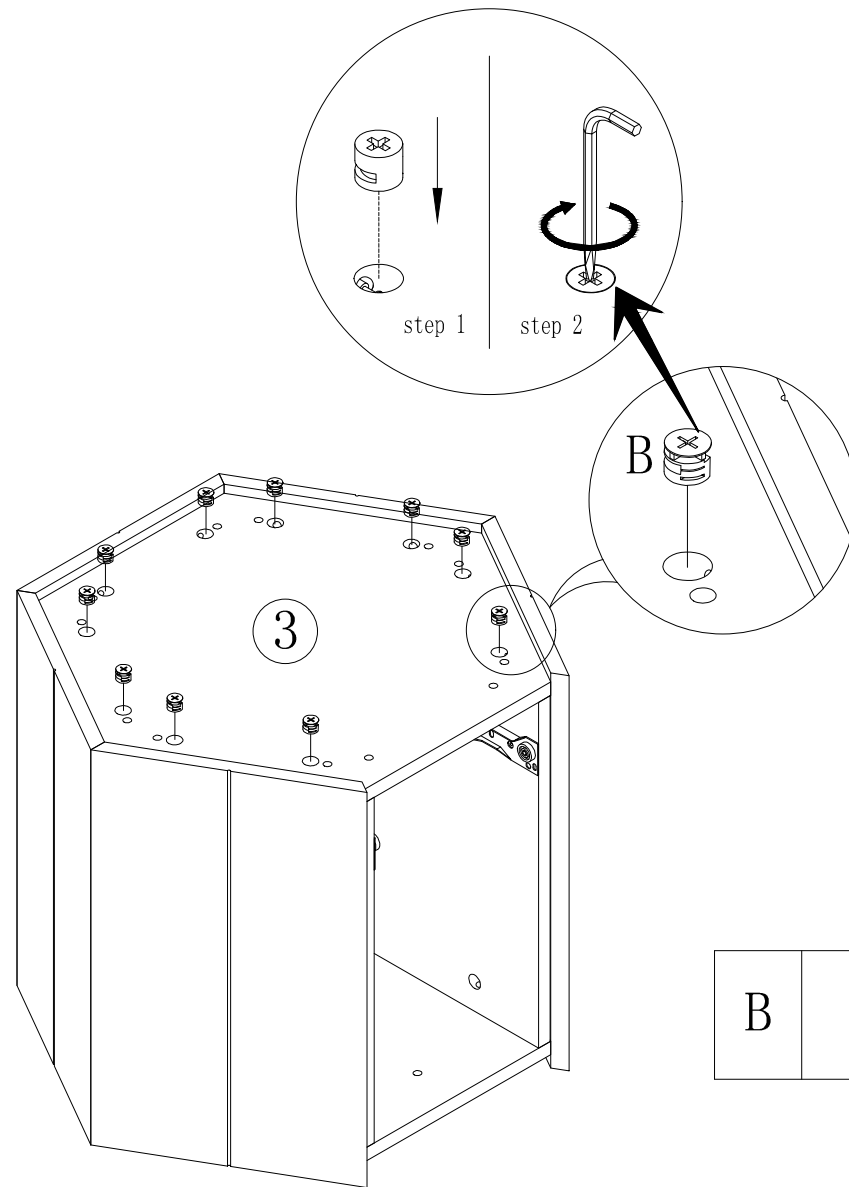


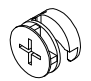
A		8
B		8

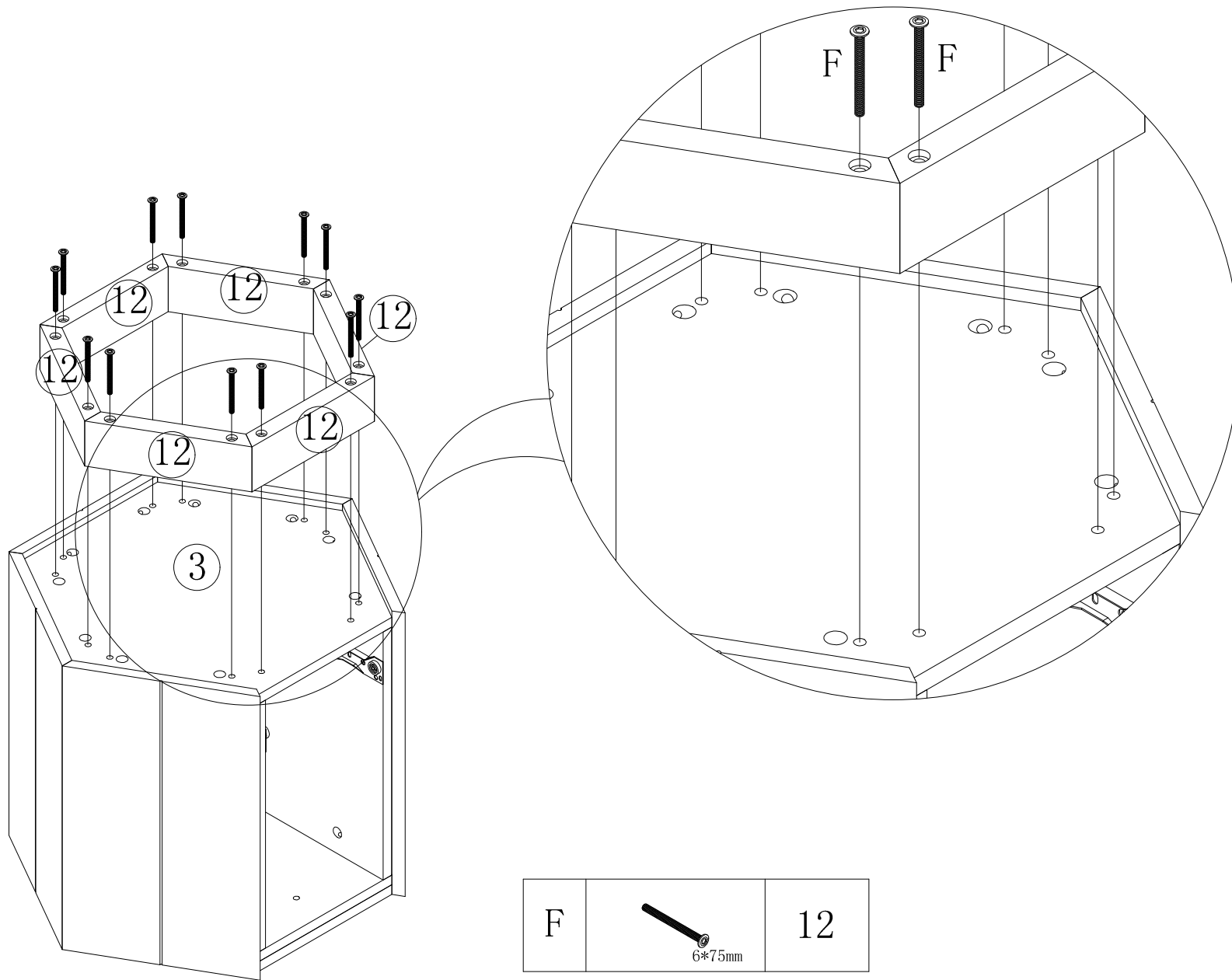





E		2
	6*25mm	



B		10
---	---	----



F	 6*75mm	12
---	---	----

