

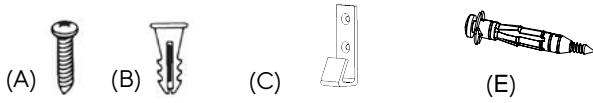
ASSEMBLY INSTRUCTIONS

ITEM DESCRIPTION

ITEM NUMBER: WEN-NS012

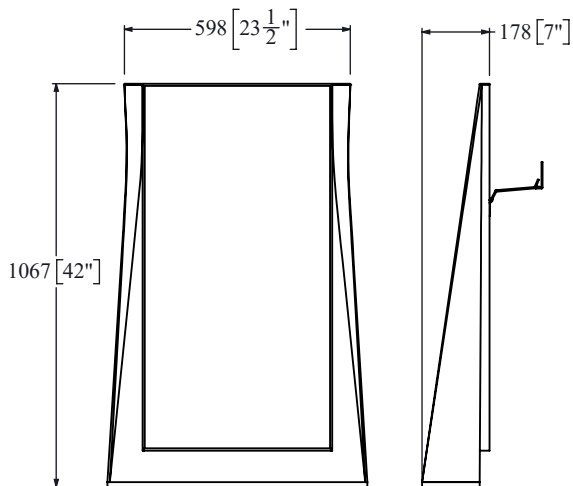
NAME: Grass Cloth Brass

FINISH:

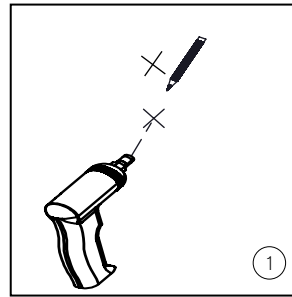


PARTS INCLUDED

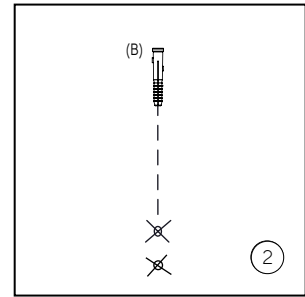
(A) Round Screw	Qty: 2
(B) Plastic Anchor	Qty: 2
(C) Z-Bar	Qty: 1
(D) Mirror	Qty: 1
(E) Molly Bolt	Qty: 2



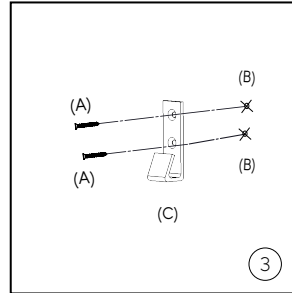
(D)



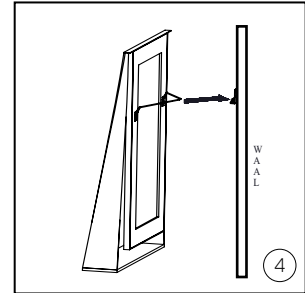
1



2



3



4

Refrain from disposing of packaging materials until the assembly is complete.

TO HANG

1. Mark the wall where the Z-Bar (C) will hang according to your desired orientation, and then drill two holes at the marked locations.
2. Firmly insert the anchors (B) into the drilled holes.
3. Position the Z-Bar (C) over the anchors (B) and secure it to the wall using the round screws (A).
4. Hang the mirror on the wall by attaching the cable on wall bracket (C).

CARE INSTRUCTIONS

To maintain the beauty and integrity of your mirror, gently wipe it with a soft, dry cloth and avoid using harsh chemicals or household cleaners to protect the finish.

**WENDOVER
ART GROUP**

For customer service,
contact 888-743-9232 or
info@wendoverart.com.