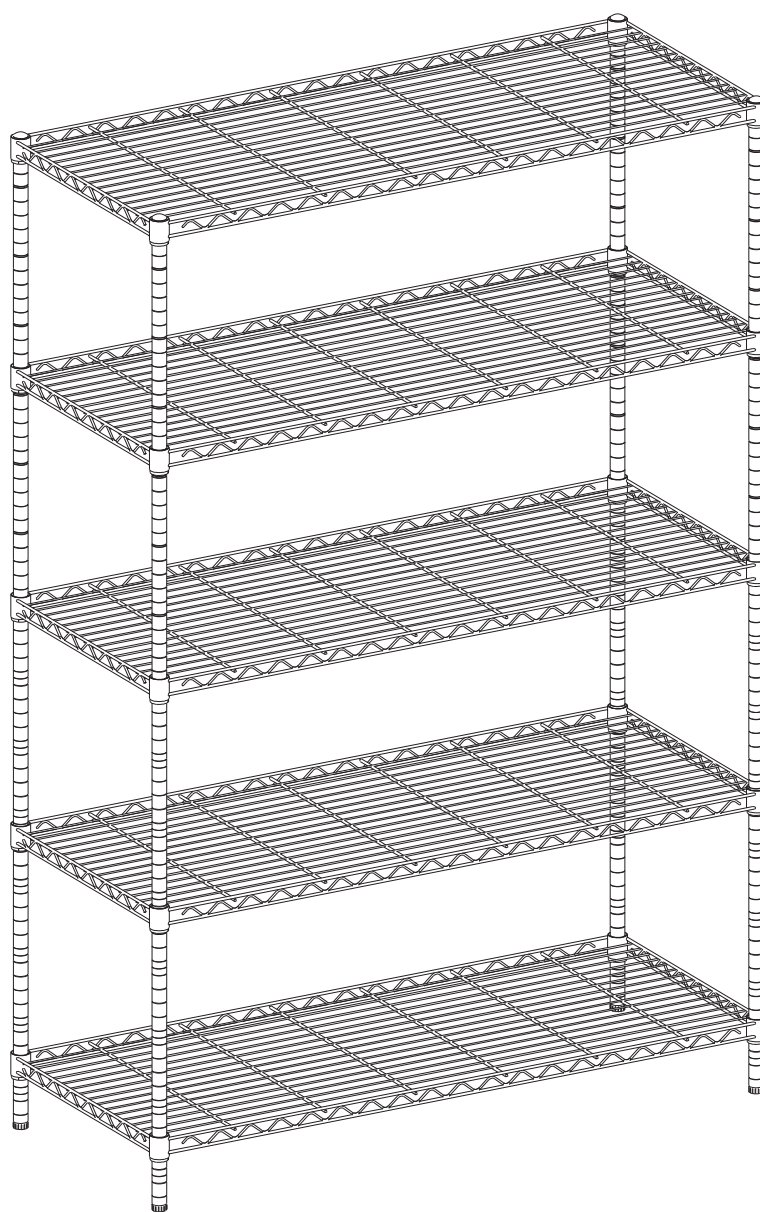
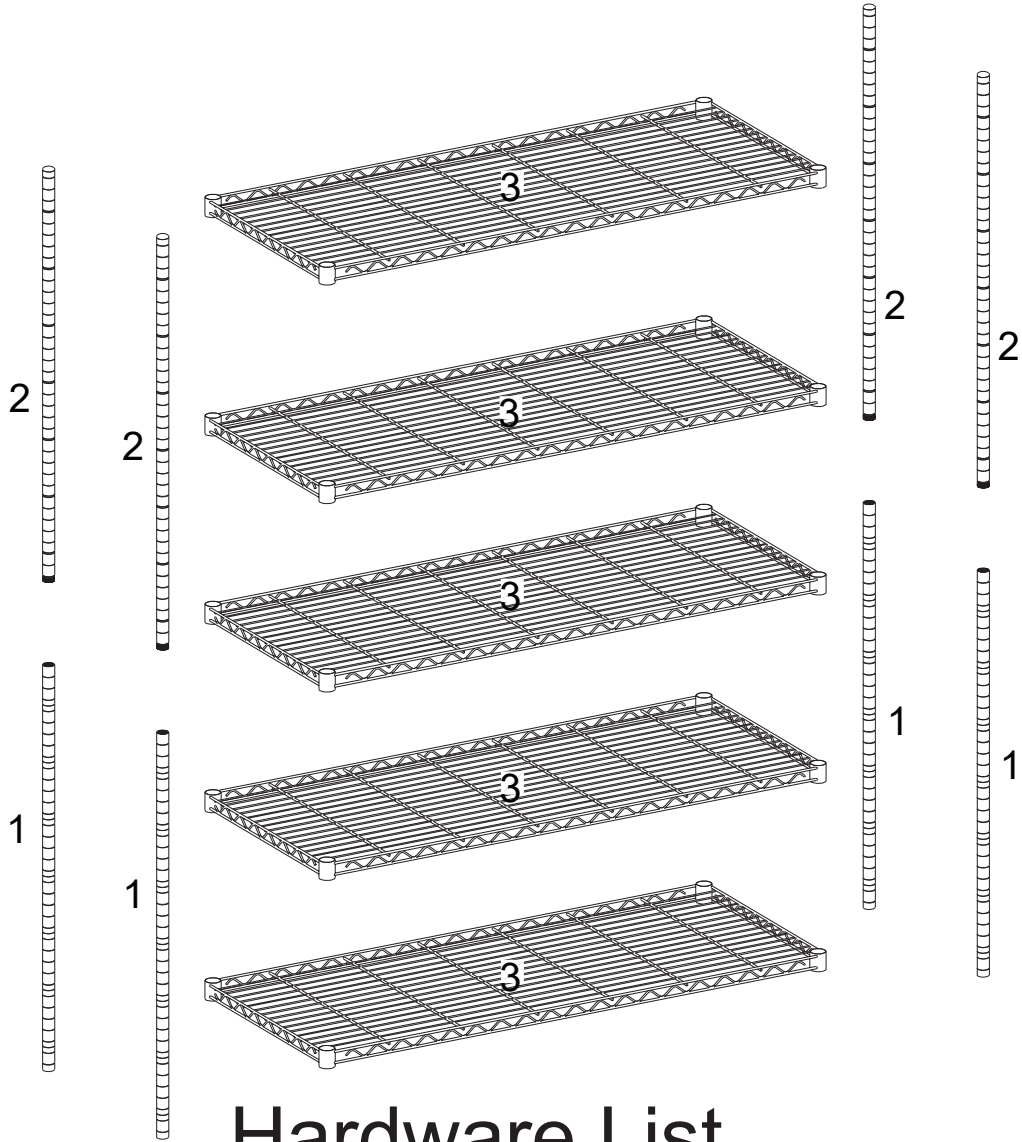


5-Tiers Storage Racks Instruction Manual



Parts List

- Carefully remove all the parts from the carton and place them individually on a soft cloth to prevent scratches or other damage.
- Carefully follow these assembly and installation instructions to ensure proper assembly of the product.

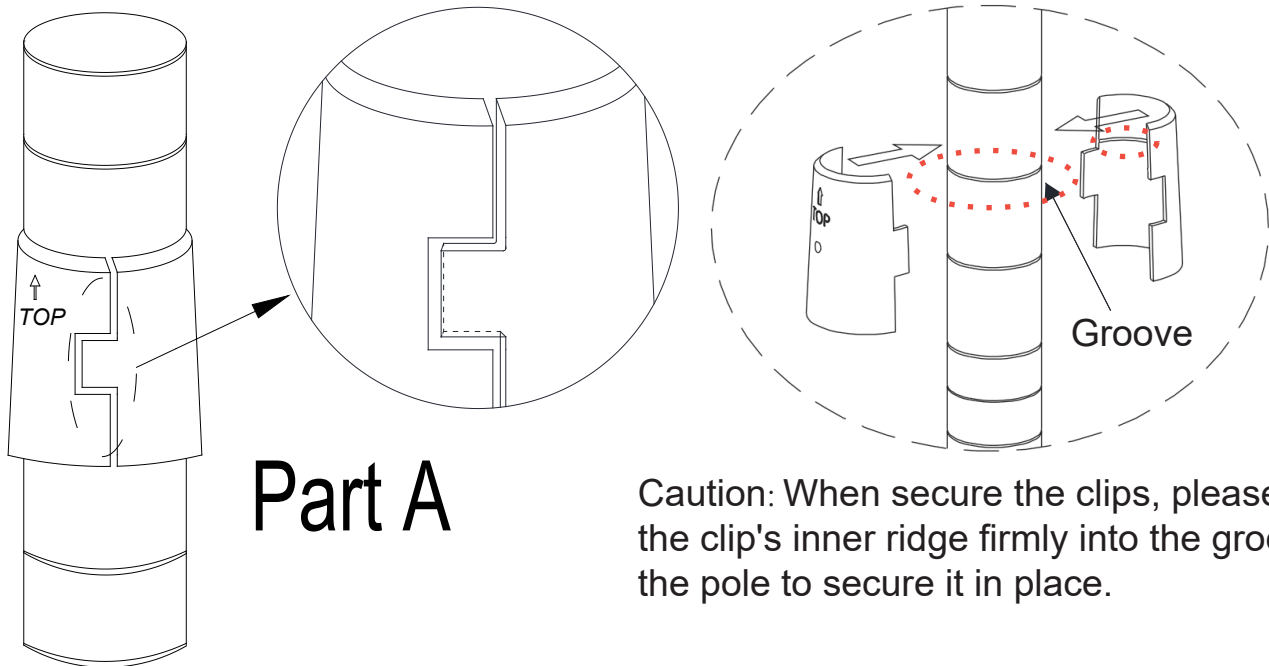


Hardware List

A		Plastic Clip	20 Sets
B		Foot peg	4 pcs
C		Anti-tipping hardware	1 Set

Note

- During installation, there will be a small gap when part A is assembled. This is normal and not a product defect.



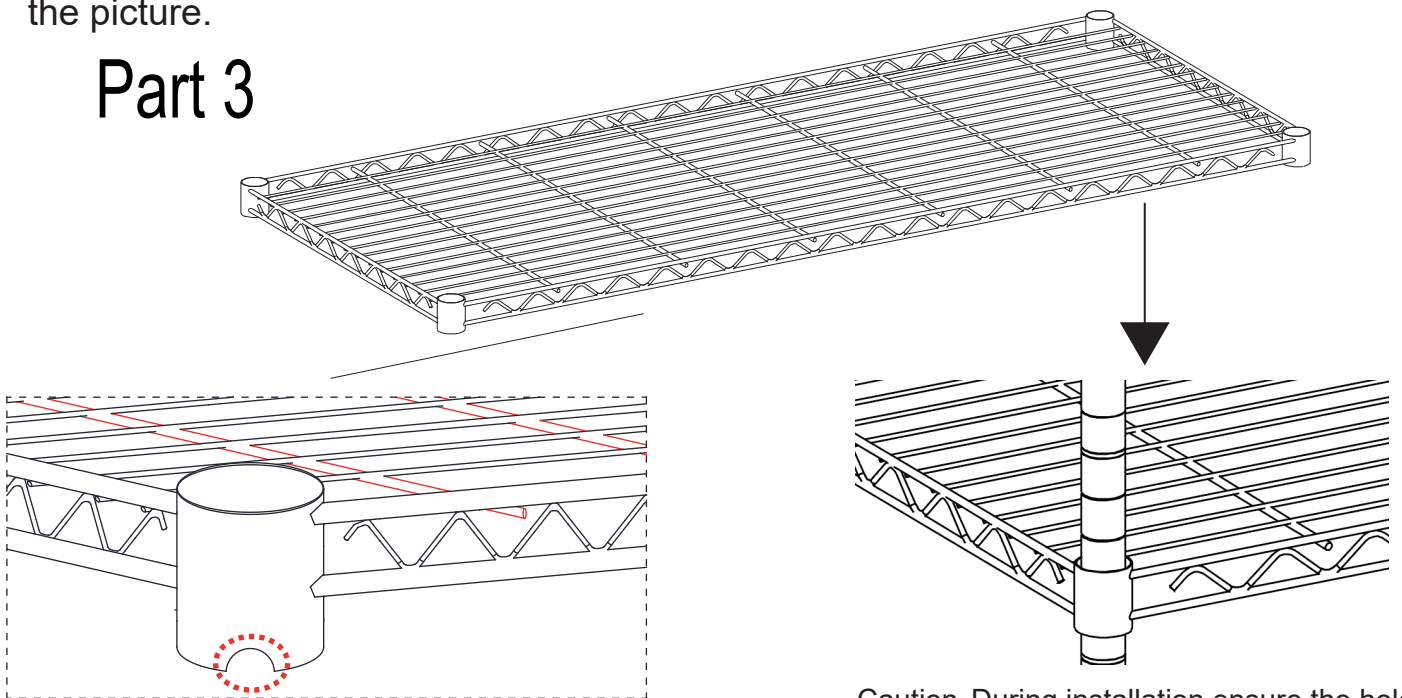
Part A

Caution: When secure the clips, please snap the clip's inner ridge firmly into the groove on the pole to secure it in place.

Part A design: Adopts a conical structure design with a gap in the middle to increase the contact surface. The bottom fits the shelf column to avoid slipping and increase the friction coefficient, making it more stable and capable of carrying more loads during use.

- During installation, the shelves should always be kept horizontally aligned on both sides, and the shelf installation direction should always be in the direction shown in the picture.

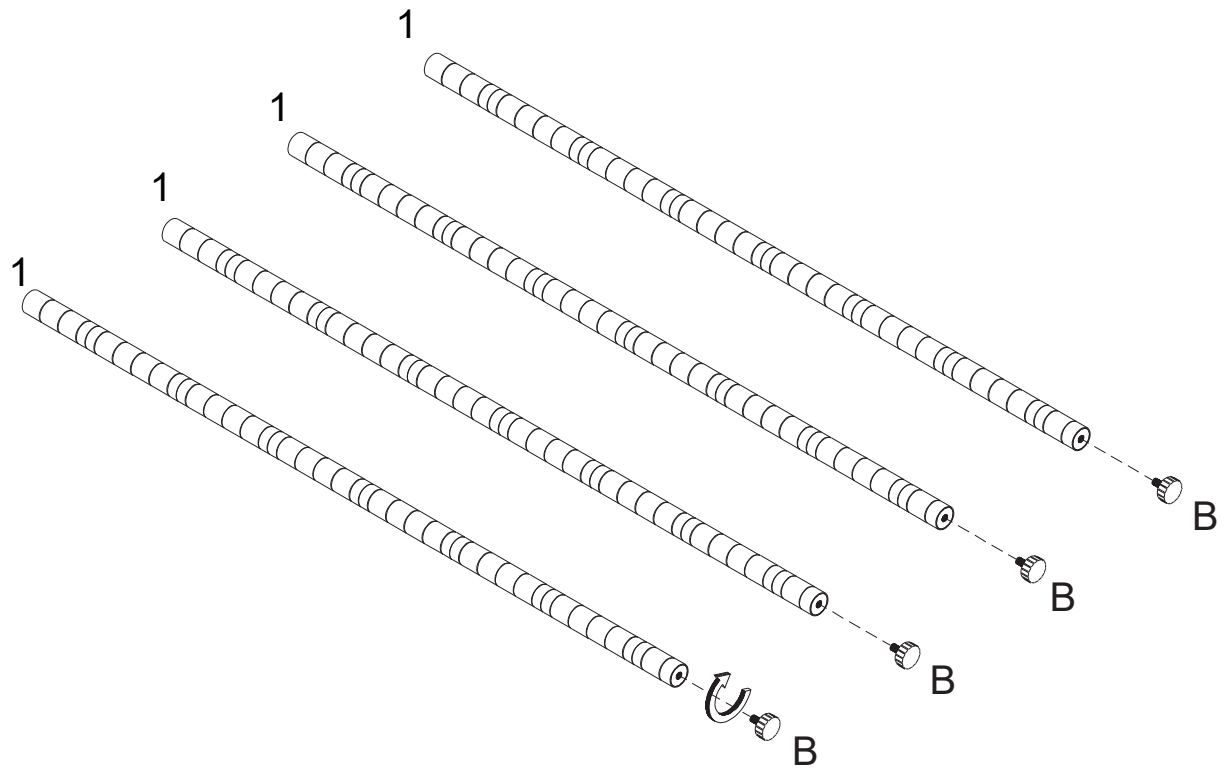
Part 3



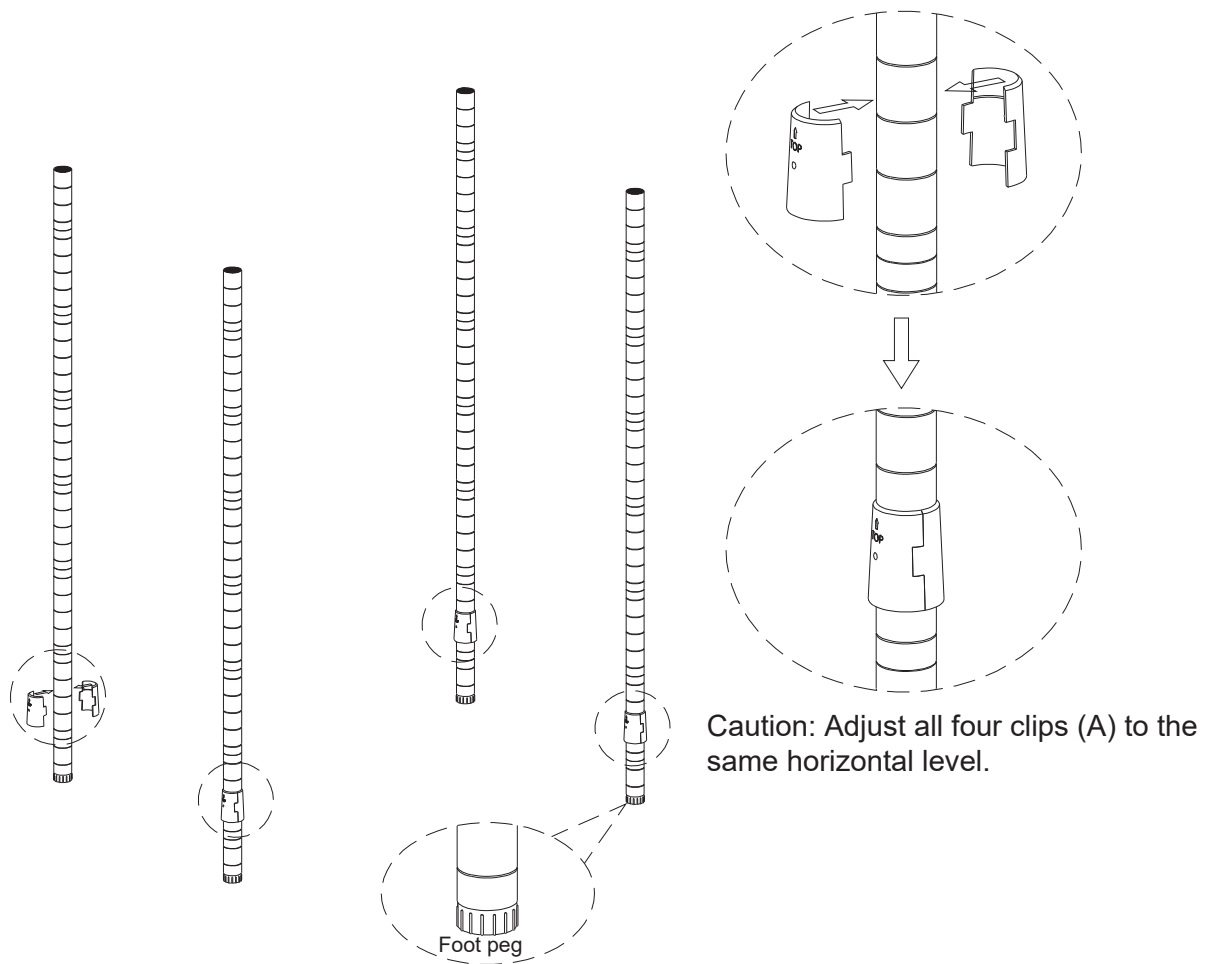
As shown, the side of the cylinder with the hole always faces downwards, and the horizontal side with the mesh always faces upwards.

Caution: During installation, ensure the hole on part 3 is pressed against the mounting rod on part A.

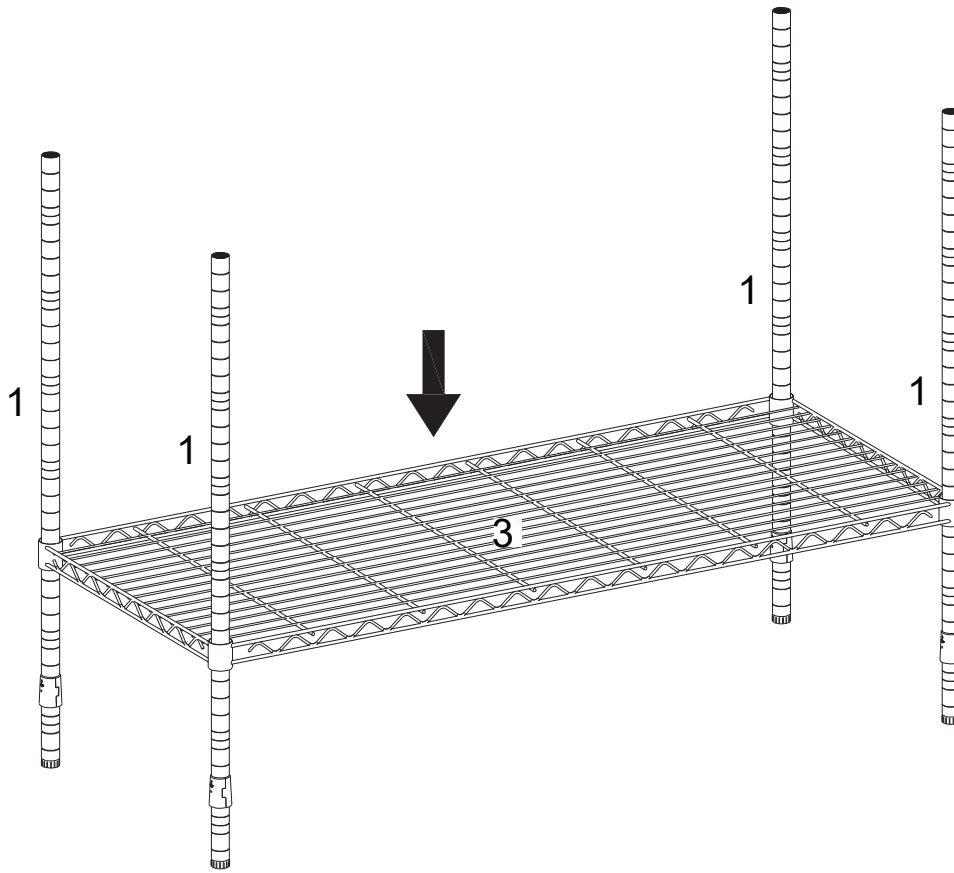
Step 1



Step 2

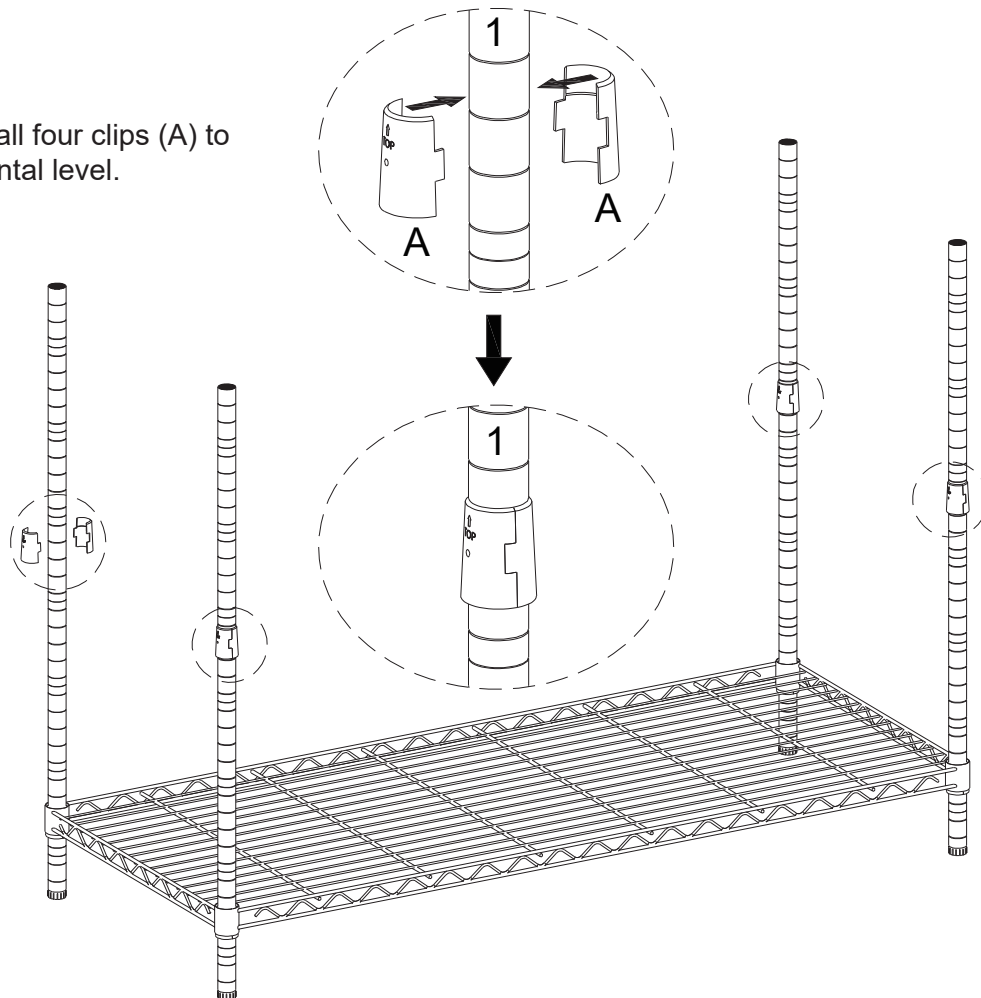


Step 3

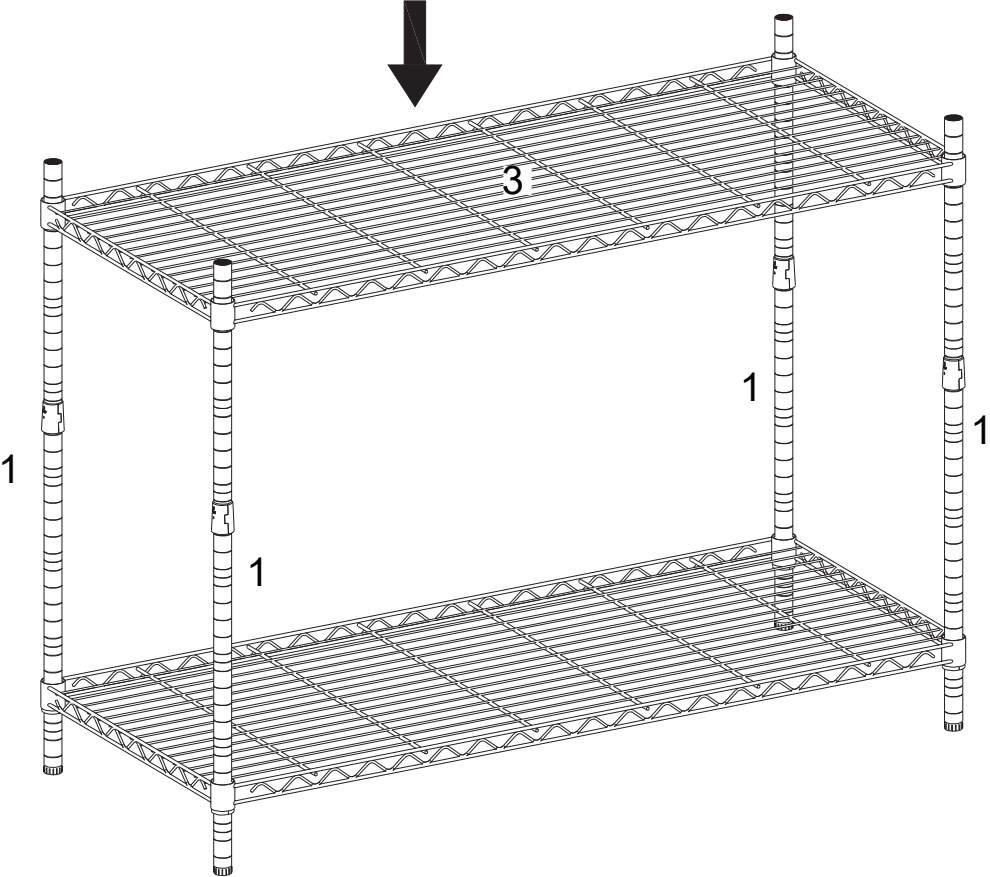


Step 4

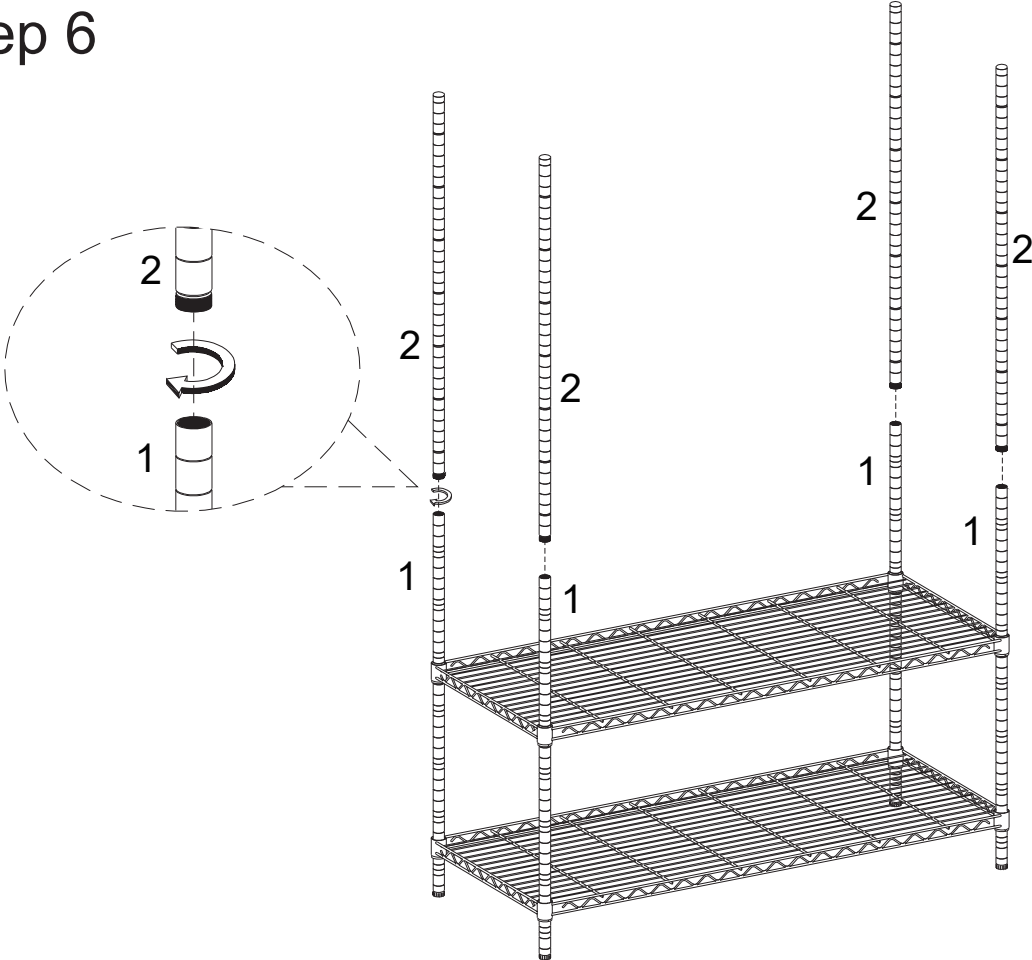
Caution: Adjust all four clips (A) to the same horizontal level.



Step 5

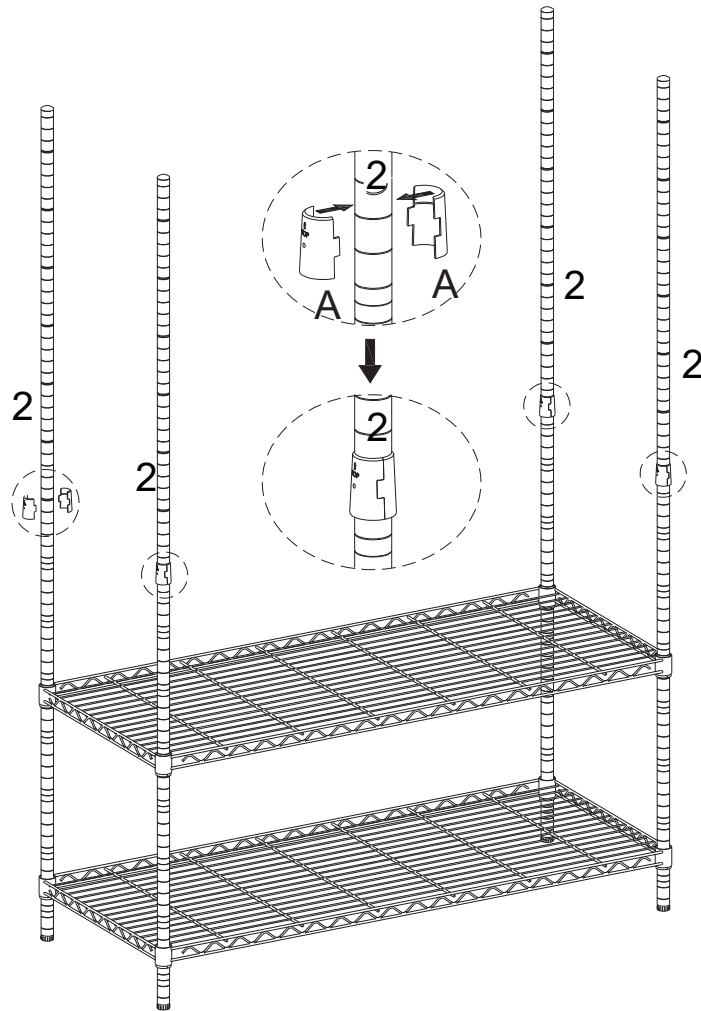


Step 6

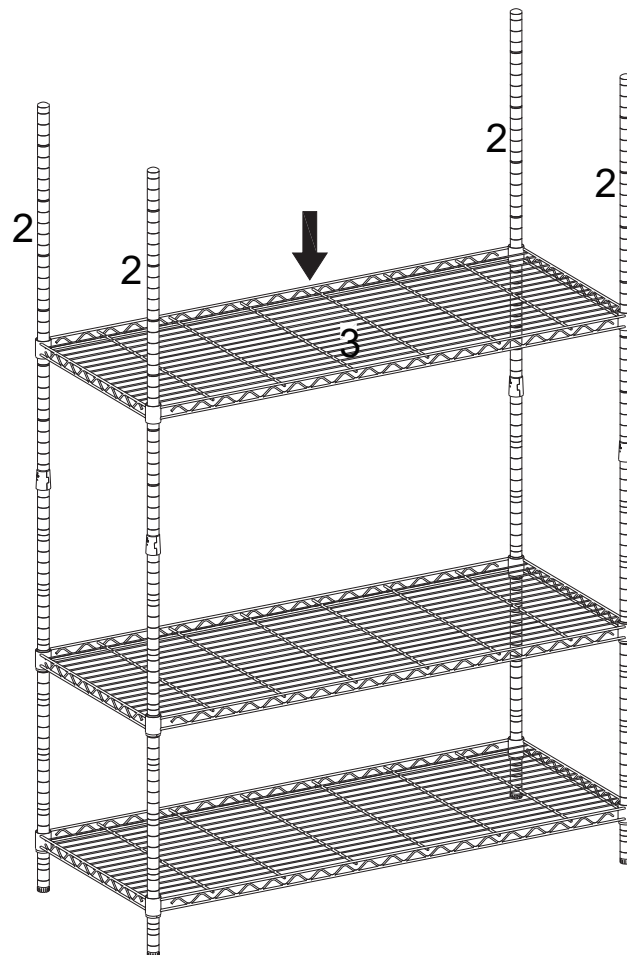


Step 7

Caution: Adjust all four clips (A) to the same horizontal level.

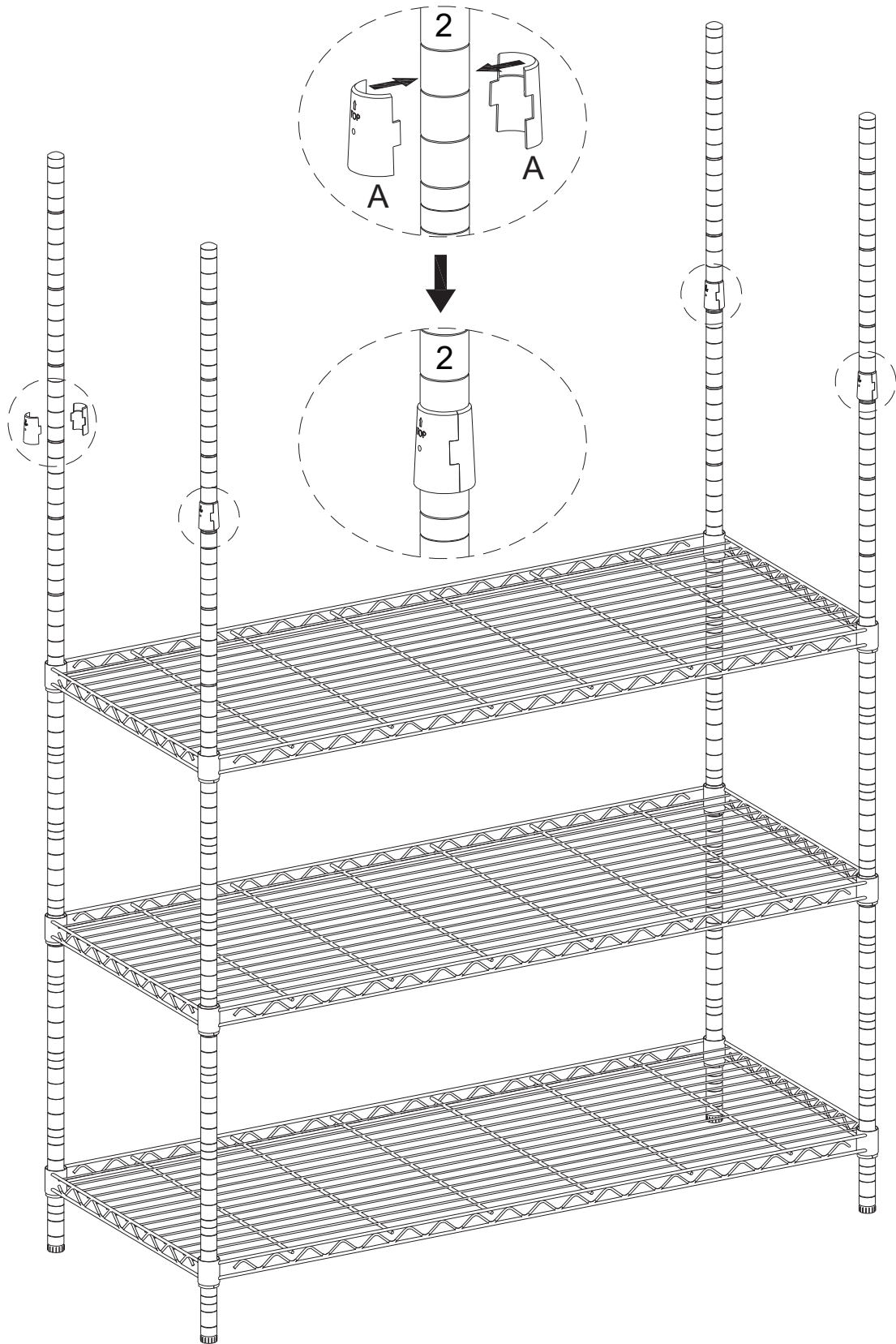


Step 8

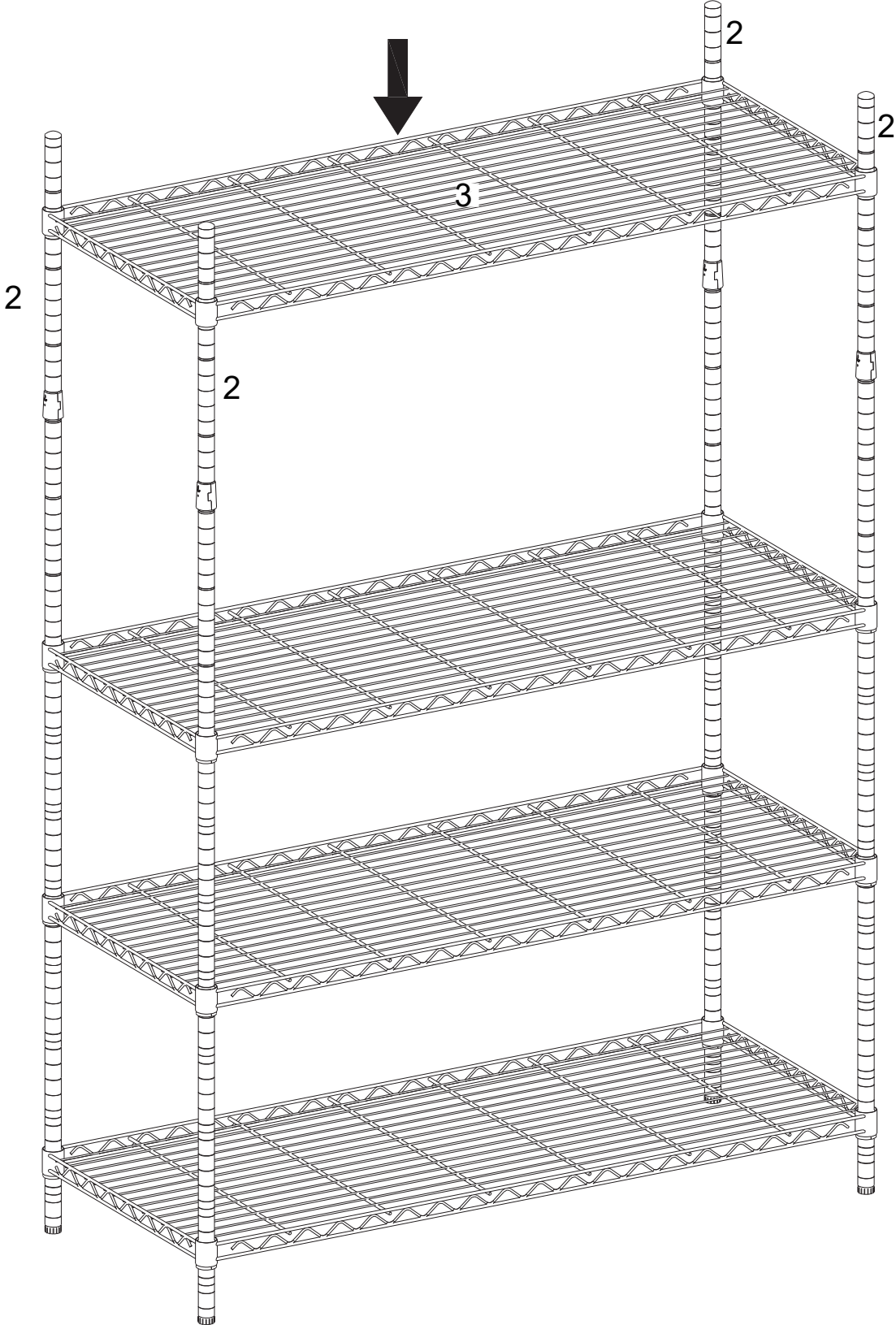


Step 9

Caution: Adjust all four clips (A) to the same horizontal level.

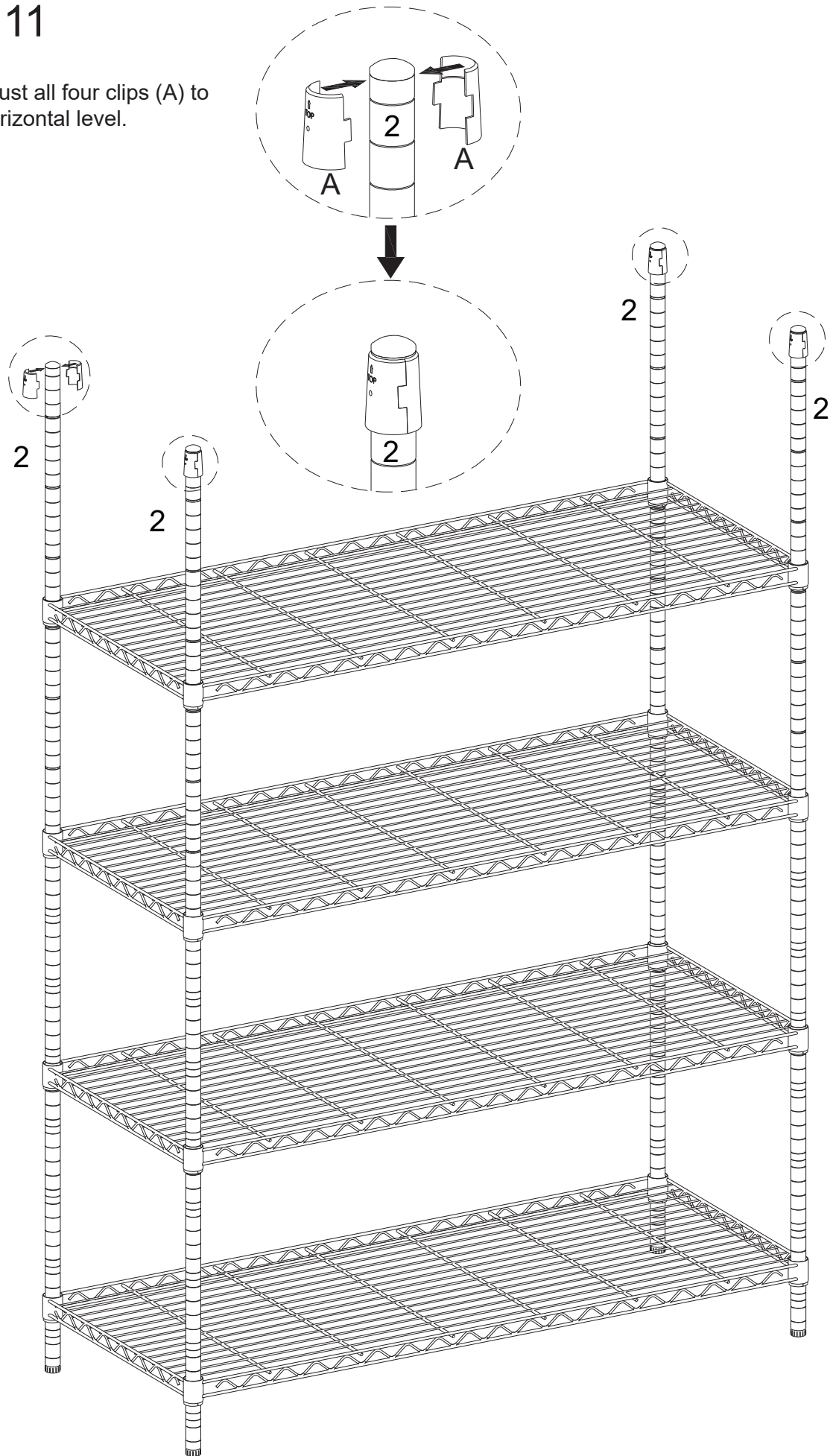


Step 10

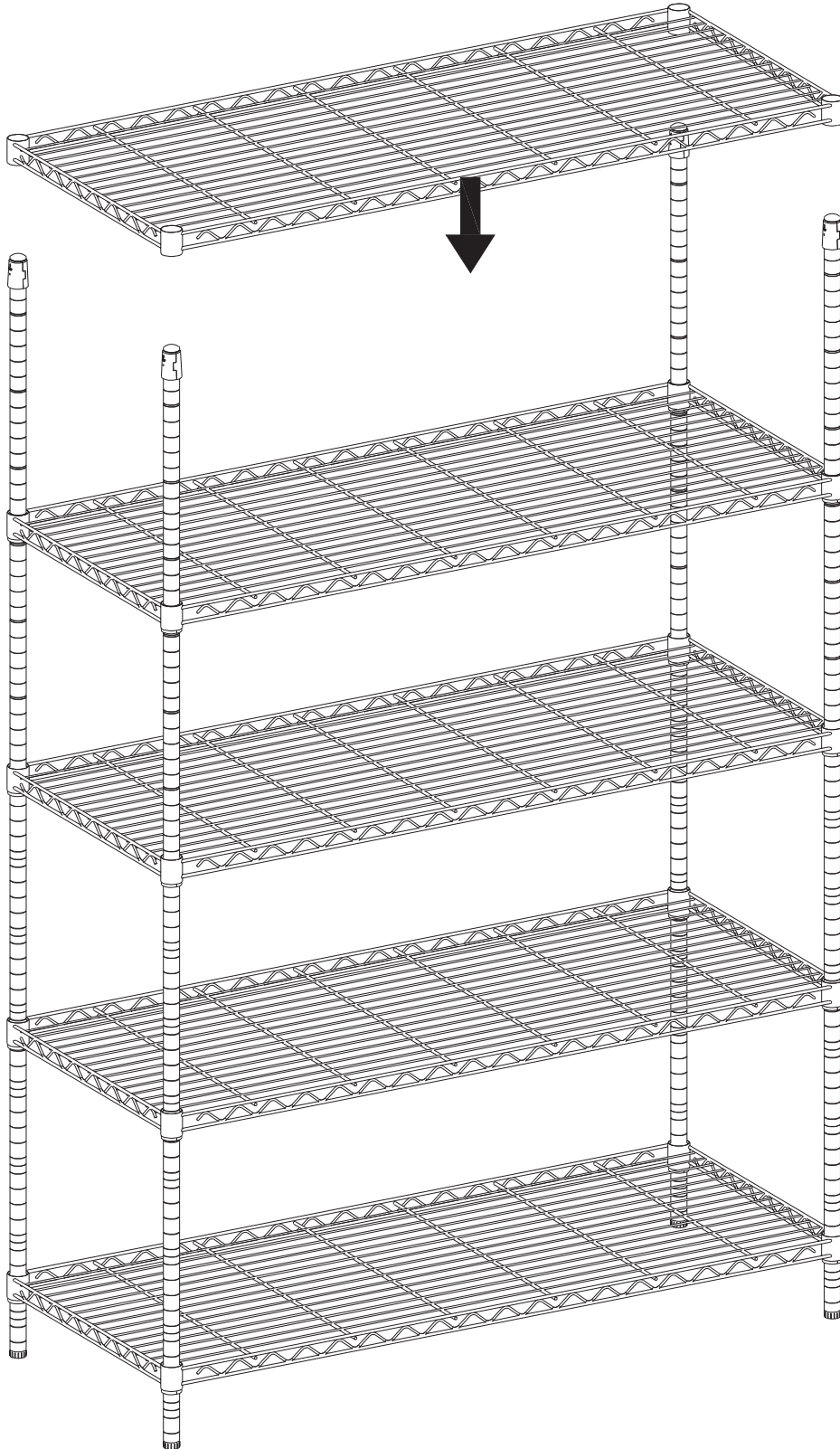


Step 11

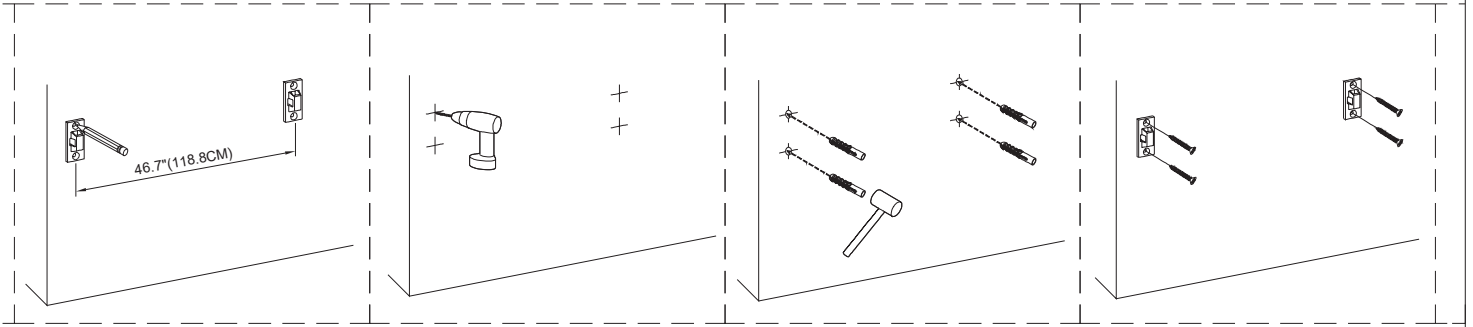
Caution: Adjust all four clips (A) to the same horizontal level.



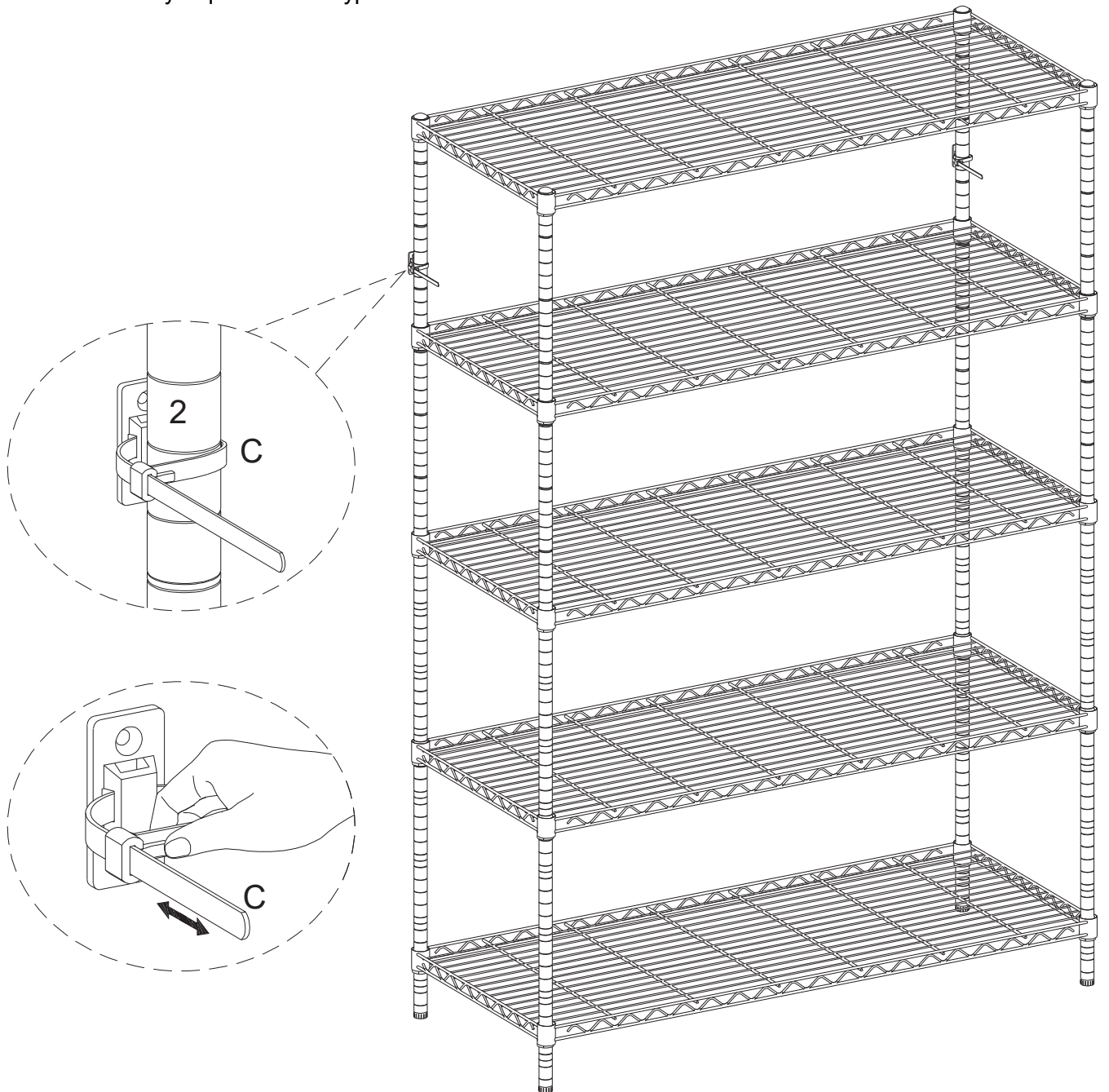
Step 12



Step 13



WARNING: Serious or fatal injuries can occur from furniture tipping over. To prevent the furniture from tipping over we recommend that it is permanently fixed to the wall. Wall anchor and hardware are included with this product. Please make sure hardware is suitable for your walls before installing, as different wall materials may require different types of anchors.



AFTER-SALES SERVICE CARD

We sincerely thank you for trusting our service and our products, and may this product add enrichment to your home. We guarantee that the product has undergone strict quality inspection and meticulous packaging. If you encounter any issue regarding either shipping or the product, please feel free to contact us at any time. We'd be more than happy to serve you wholeheartedly.

Yours Sincerely

If you have any questions or concerns please feel free to contact us. We're committed to providing our customers with the quality service.