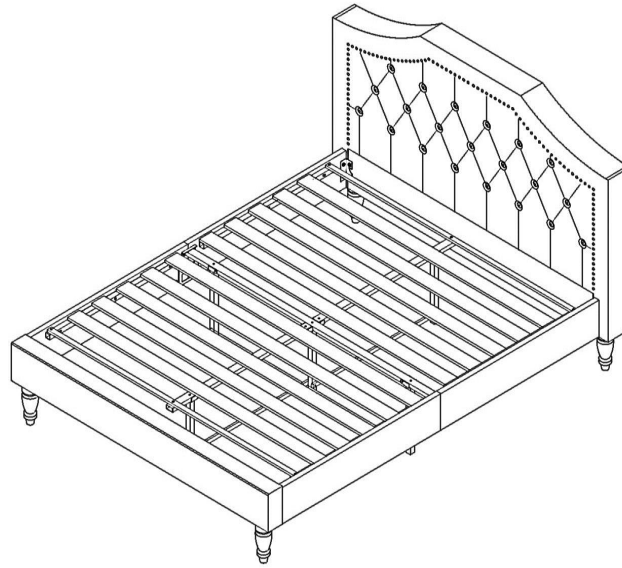


# Assembly Instructions

Caution: You must read this before you proceed

## Bed



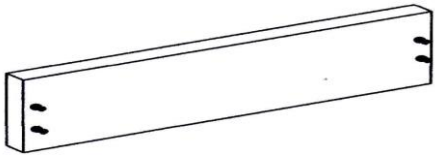



**Note:** This Bed is NOT a TOY.

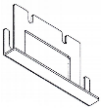


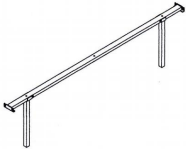
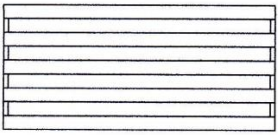

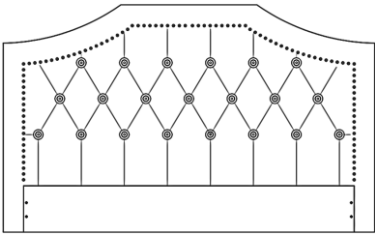


Keep your child/children at bay during the assembly process.

The BED is HEAVY.






To prevent injury to yourself or damage to the product a minimum of two adults are required whenever moving or lifting the product.

## Parts List

Label	Picture	Description	QTY
A		Footboard	1
B		Side Panel (Labelled 'B')	2
C		Side Panel (Labelled 'C')	2
D		Vertical Slat with Leg	2

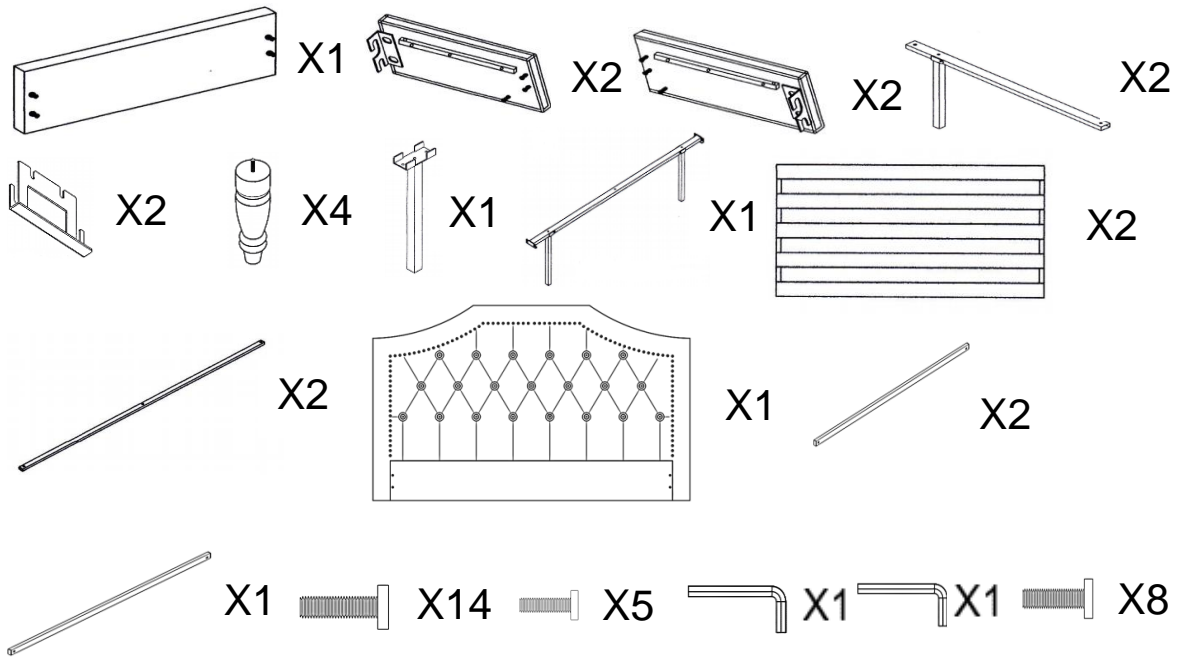
E		Side Panel Bracket	2
F		Leg	4
G		U-Bracket	1
H		Middle Support Slat with Legs	1
I		Wooden Slat	2
J		Cross Slat	2
K		Headboard	1
L		Short Reinforcement Tube	2
M		Long Reinforcement Tube	1

## Hardware

Label	Picture	Description	QTY
①		Bolt(M6*30mm)	14
②		Bolt(M6*15mm)	5
③		Allen Wrench(M8)	1
④		Allen Wrench(M6)	1
⑤		Bolt(M6*20mm)	8

# Assembly Preparation

Before Beginning Assembly :



• Read instructions, cover to cover-



• Have 2 adults on hand for assembly-



• Do not assemble on flooring or carpet-



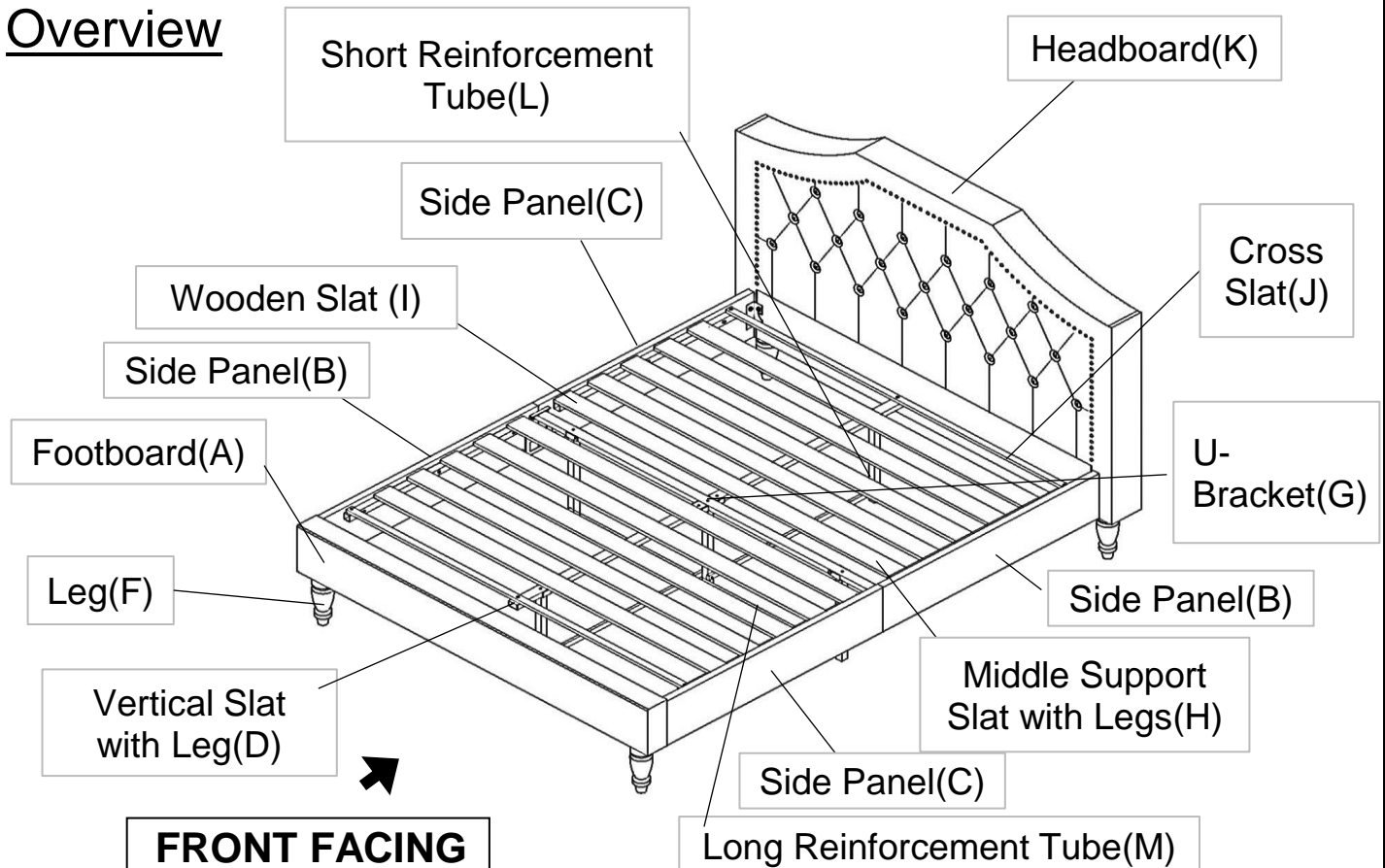
• Assemble on a clean non-marring surface (packing foam)-



• Save all packaging until finished-

# Assembly Steps

## Overview

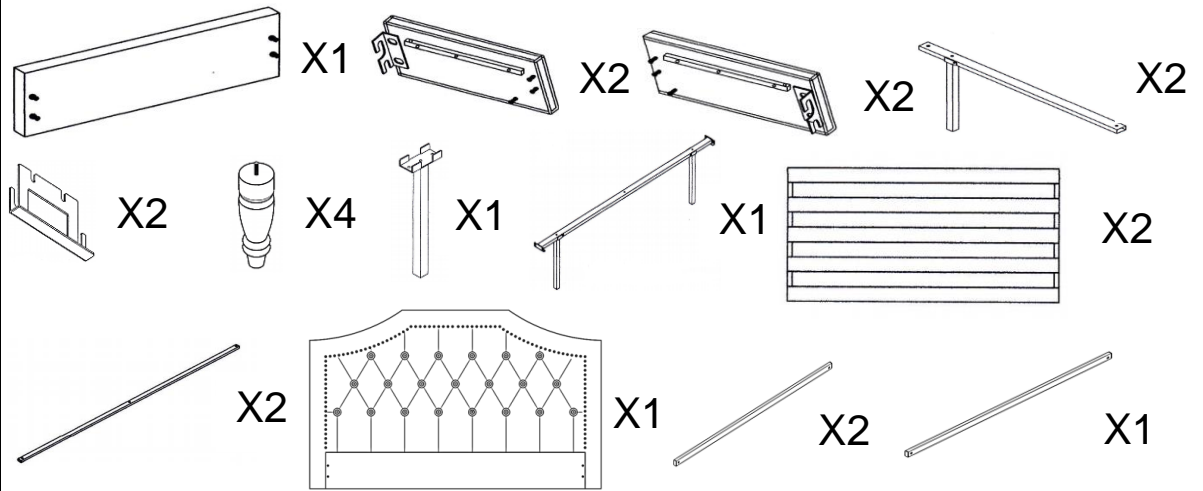


This Bed has multiple parts and may require up to 60 minutes to assemble.

To give you an overview of the Bed parts, the above picture is to help you put the various Bed parts into perspective.

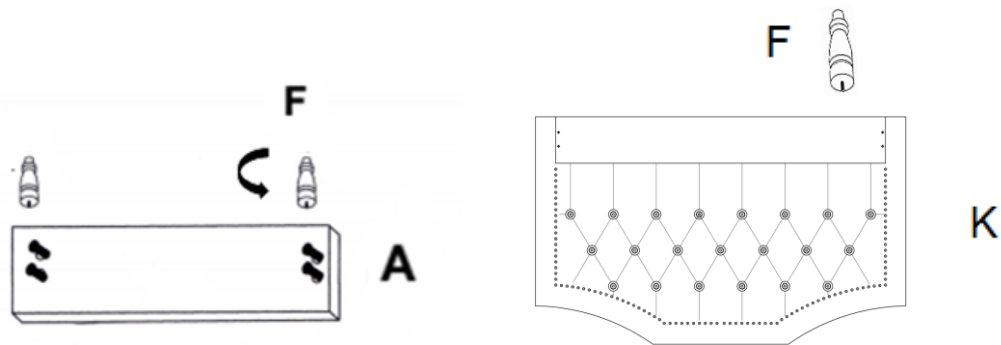
Please read through the instructions below to familiarise yourself with the parts and steps before assembly.

### Step 1



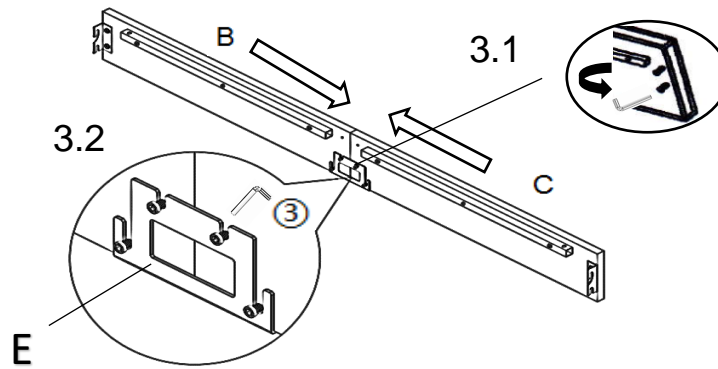
Open the zipper behind the headboard, you will find a carton. Open the carton, take out the parts and hardware. Unpack and place all parts on a clean, non-marring surface.

### Step 2



Place the Footboard(A) with the bases facing skywards. Install the Legs(F) at the bottom of the Footboard(A) by inserting the threaded stem into the threaded mounting position on the Footboard(A). Tighten by turning the Legs clockwise. Repeat same step to assemble Legs(F) to Headboard(K).

### Step 3



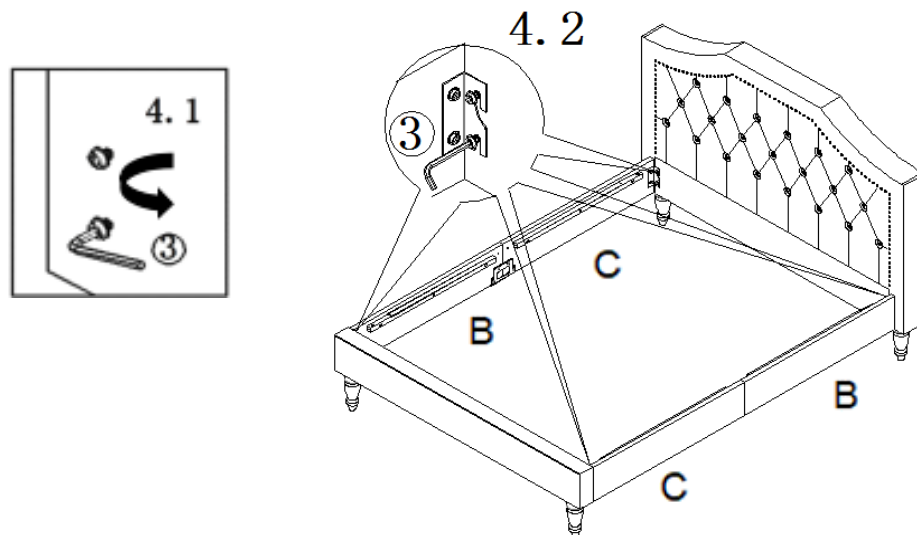
3.1) Loosen pre-assembled bolts on Side Panel(B) and Side Panel(C) with Allen Wrench(③).

3.2) Align Side Panel(B) and Side Panel(C) together with Side Panel Bracket(E).

Attach Side Panel Bracket(E) to Side Panel(B) and Side Panel(C) by tightening using pre-assembled bolts with Allen Wrench(③) as shown. Repeat same process to assemble the remaining Side Panel(B), Side Panel(C) and Side Panel Bracket(E).

Note: If necessary, tap Side Panel Bracket(E) to ensure it is fully slotted into position.

### Step 4



4.1) Loosen pre-assembled bolts on the Headboard(K) with Allen Wrench(③).

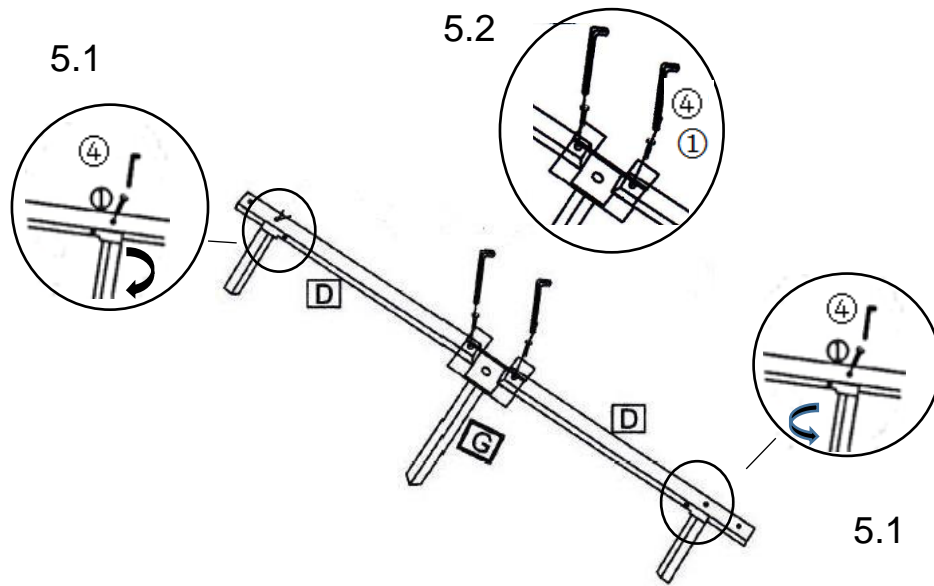
4.2) Attach Side Panel(B) to Headboard(K) by sliding the Metal Plates onto the pre-assembled bolts as shown.

Press it down lightly, then attach Side Panel(B) to Headboard(K) using pre-assembled bolts with Allen Wrench(③).

Note: The Side Panel(B) should rest on the Headboard(K).

Repeat the same process with the remaining Side Panel(B), Side Panels(C) and Footboard(A).

## Step 5



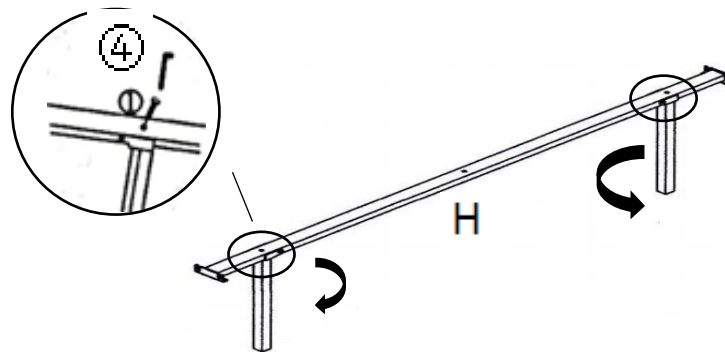
5.1) Align Vertical Slats with Legs(D) and pull legs along the direction of the arrows slowly as shown.

Secure legs of Vertical Slats with Legs(D) using Bolts(①) with Allen Wrench(④).

5.2) Attach U-Bracket(G) to Vertical Slats with Legs(D) using Bolts(①) with Allen Wrench(④).

Do not fully tighten the Bolts.

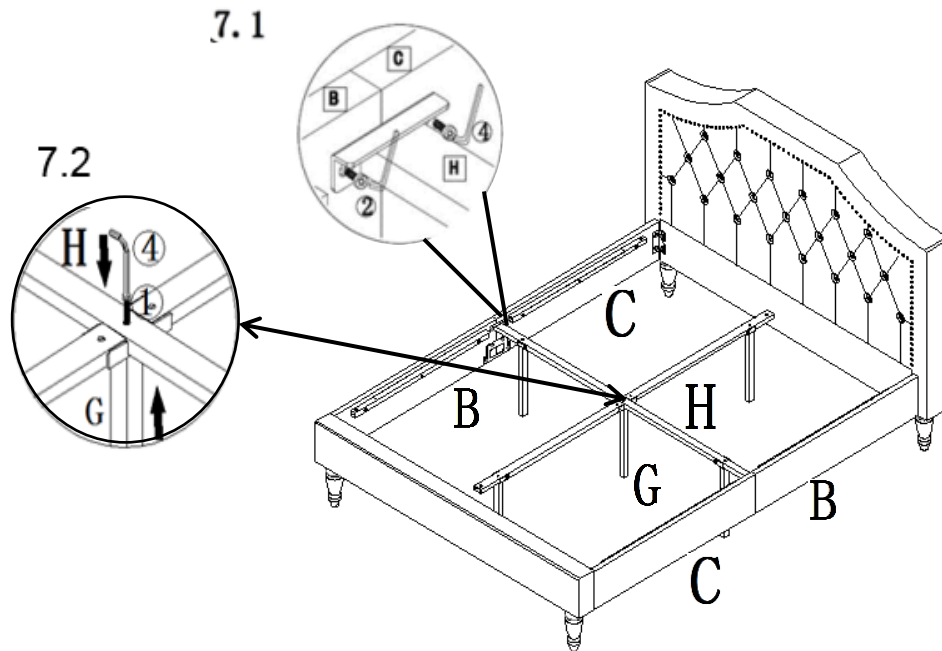
## Step 6



Align Middle Support Slats with Legs(H) and pull legs along the direction of the arrows slowly as shown.

Secure legs of Middle Support Slats with Legs using Bolts(①) with Allen Wrench(④).

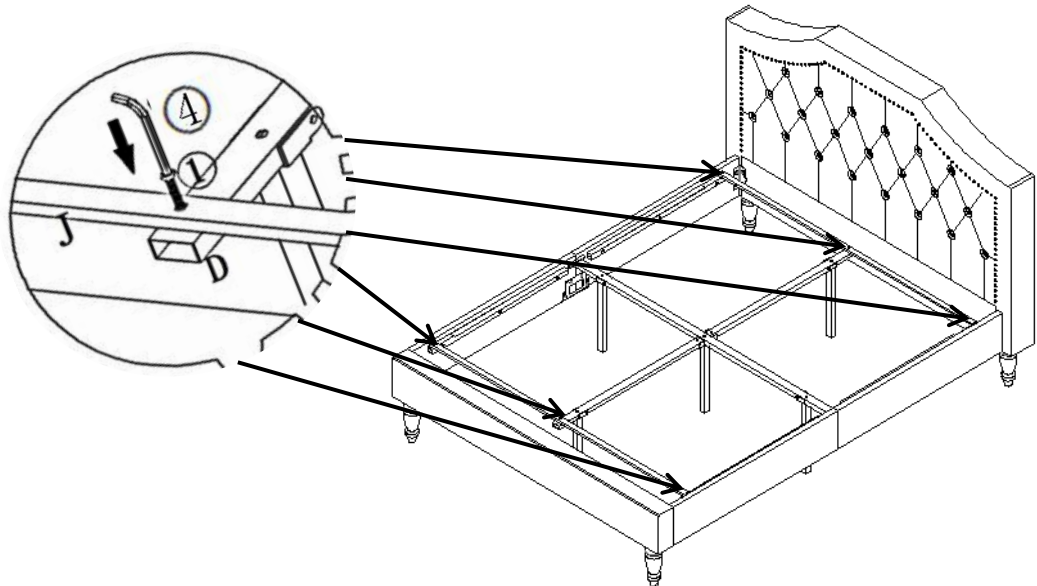
## Step 7



7.1) Attach Middle Support Slat with Legs(H) between Side Panels(B) and Side Panels(C) using Bolts(2) with Allen Wrench(4) as shown.

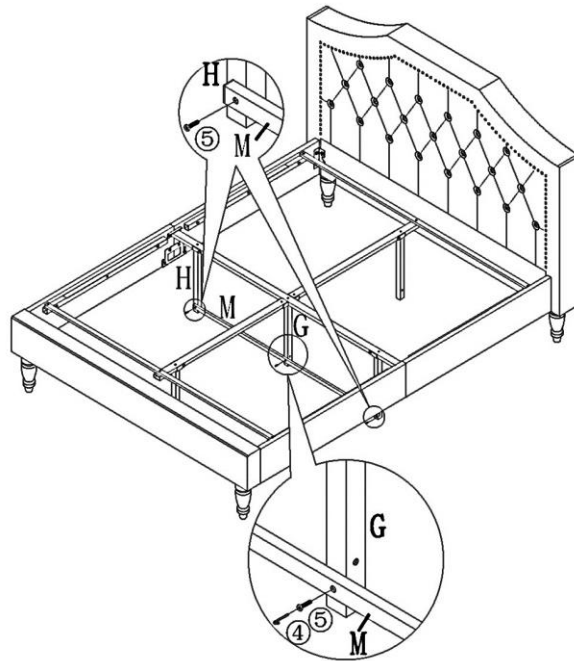
7.2) Attach the groove of Vertical Slat with Leg(D) to Middle Support Slat with Legs(H) using Bolt(1) with Allen Wrench(4).

## Step 8



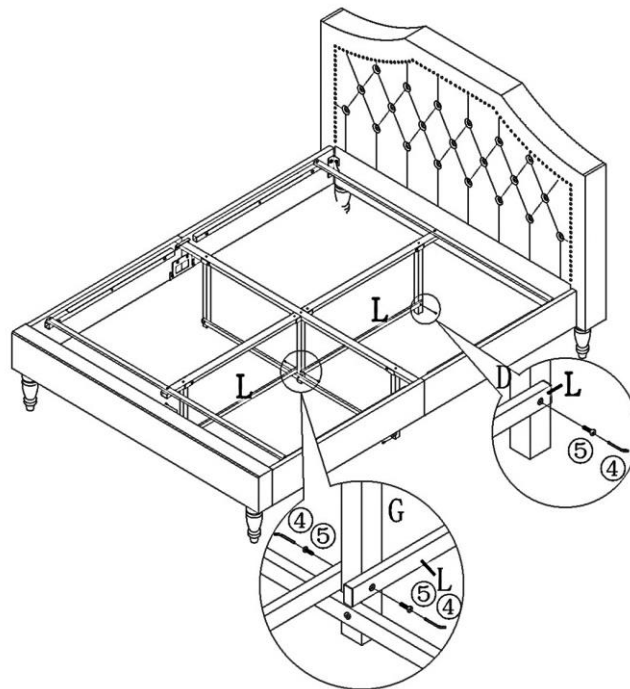
Attach Cross Slats(J) to Vertical Slats with Legs(D) and Side Panels(B) and Side Panels(C) using Bolts(1) with Allen Wrench(4).

## Step 9



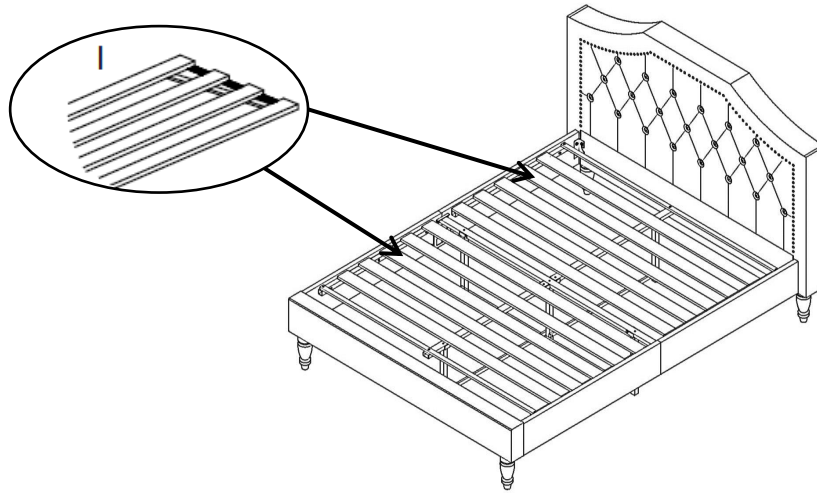
Attach Long Reinforcement Tube(M) to the legs of Middle Support Slat with Legs(H) and U-Bracket(G) using Bolts(5) with Allen Wrench(4).

## Step 10



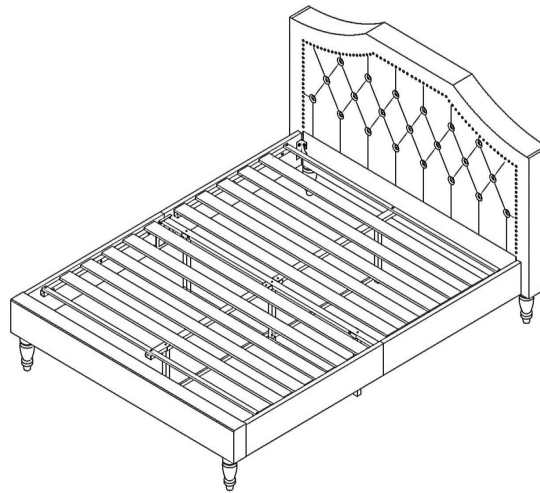
Attach Short Reinforcement Tube(L) to the legs of Vertical Slat with Leg(D) and U-Bracket(G) using Bolts(5) with Allen Wrench(4).

## Step 11



Now tighten all Bolts fully at all joints in a sequential manner.  
Then, place Wooden Slats(I) onto Bed frame to make sure Wooden Slats(I) fix well.

## Step 12



Your Bed is ready for use.

This Bed can only be used on a flat, level surface.

**Note: After assembly and before using the bed, inspect to make sure all parts are properly connected and securely fastened.**

# Care & Maintenance



- Furniture may scratch floors. We recommend using furniture pads to protect your floors.



- Do not put hot items directly on furniture surface.



- Do not clean furniture with harsh cleansers or polish.



- Do not place furniture under direct sunlight.



- Do not place furniture near heating or cooling vents.



- Do not write on furniture without a padded barrier to protect the surface.



- Do not place furniture outside . For indoor use only.



- Not for commercial use. For residential use only.



- Stains may be removed with mild soap solution and damp cloth.



- Children should not climb or jump on the furniture.



- Dust and pick-up spills using a clean, non-colored, lint-free cloth.