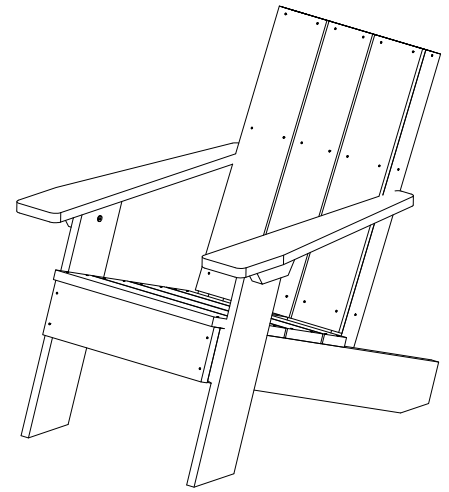


Adirondack Chair

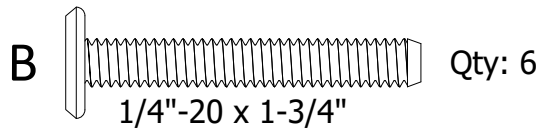
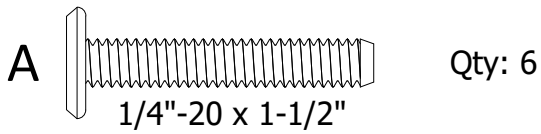
Assembly Guide



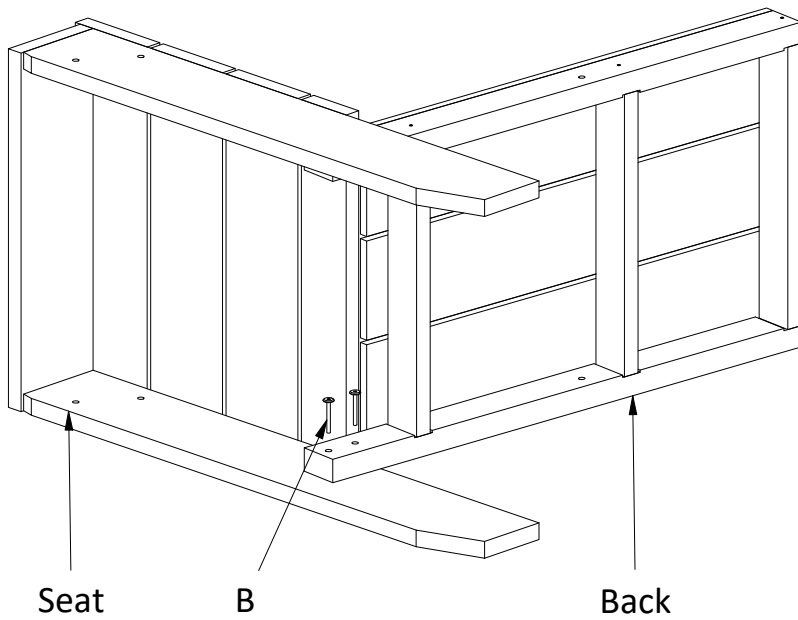
IMPORTANT!

DO NOT fully tighten the bolts until all bolts are started. Once all bolts are inserted, go back & tighten all the bolts.

HARDWARE INCLUDED

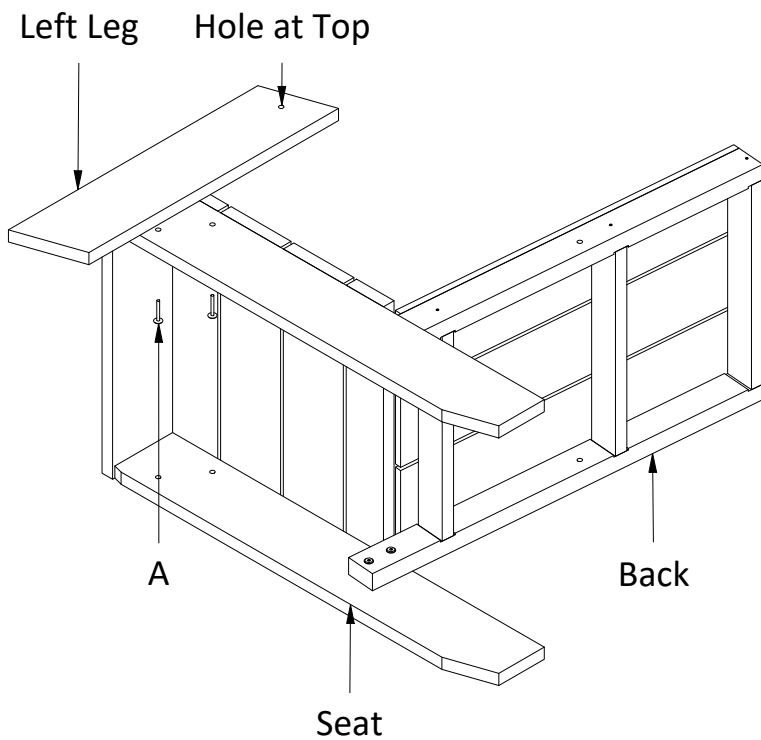


TOOLS INCLUDED

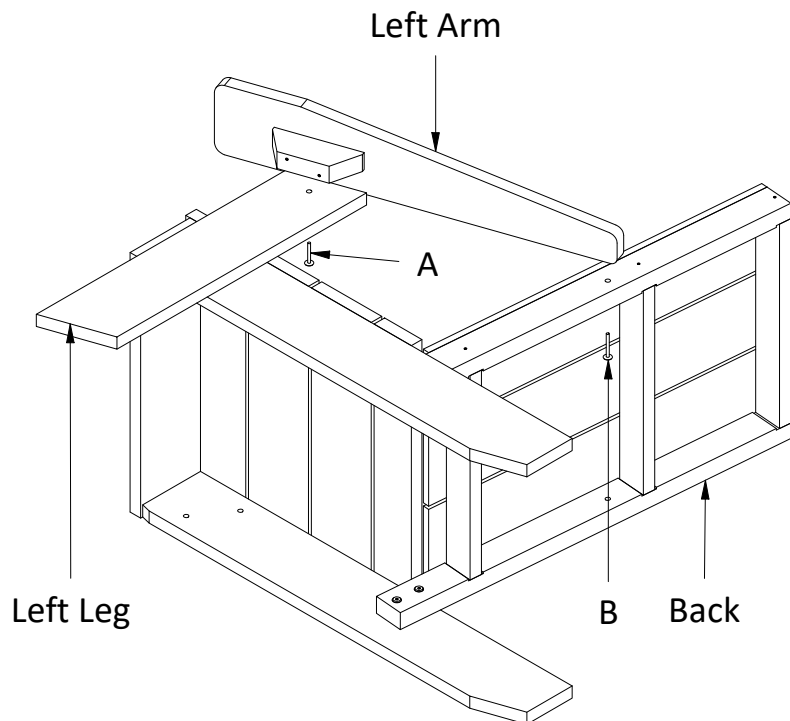


1) With the Back and Seat on their sides, attach one side of the Back to the Seat using two B bolts.

Repeat on other side.



2) With the Back and Seat on their sides, attach Left Leg as shown to Seat using two A bolts.



3) With the chair still on it's side, attach Left Arm to Back using one B bolt as shown. Attach Left Arm to Left Leg using one A bolt as shown.

Flip the chair over and Repeat Steps 2 and 3 on the other side.