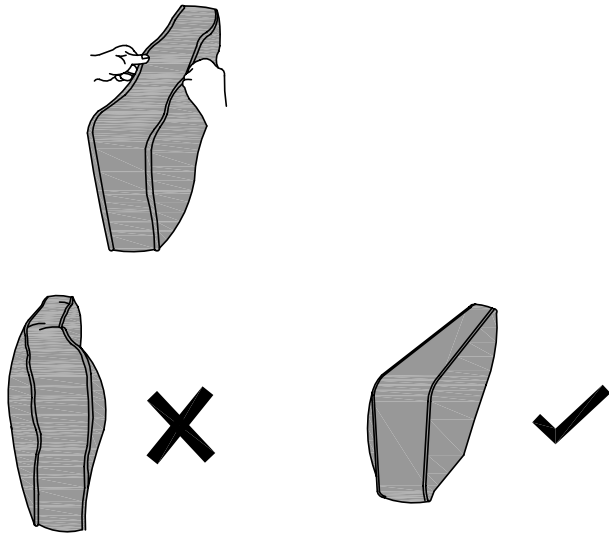
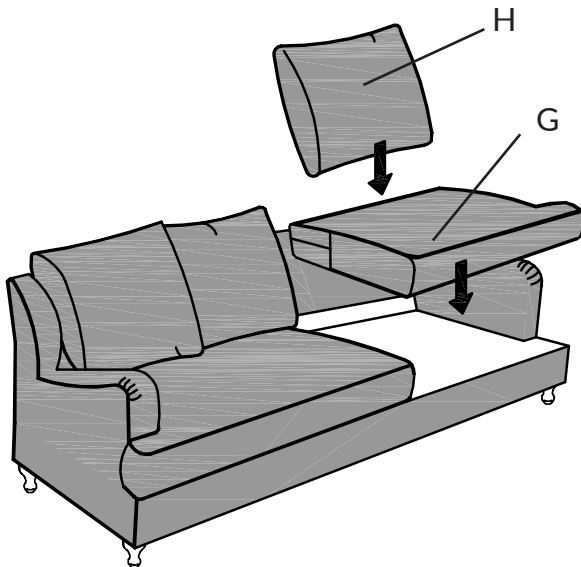


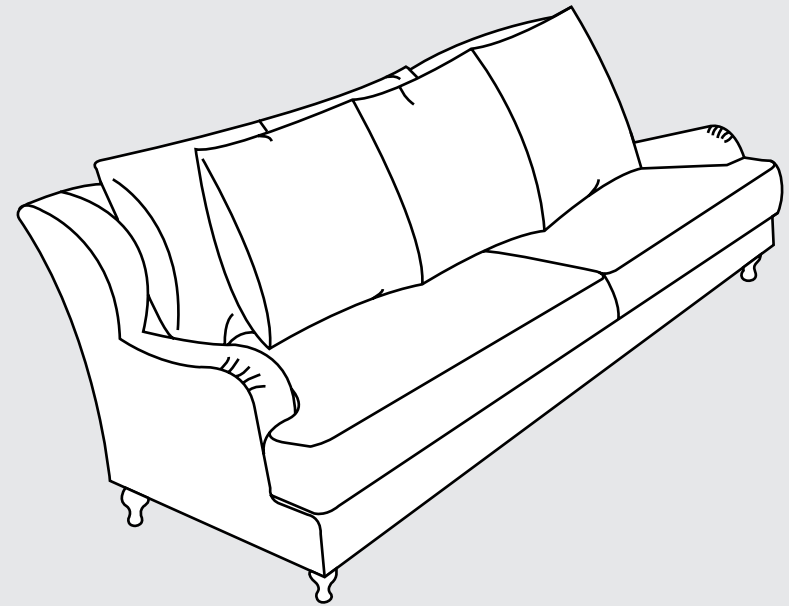
- 10** Straighten the piping of the Seat Cushion Cover (J) on the Seat Cushion (G) and the Pillow Cover (K) on the Pillow (H).



- 11** Place Seat Cushion (G) and Pillows (K) onto assembled Sofa Frame. Enjoy your new sofa.



## MODEL 15 SOFA



### ADULT ASSEMBLY REQUIRED

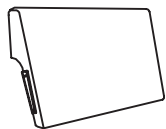
If you are missing any parts or have any questions regarding assembly, do not return this item to the retailers store. Please call our toll-free, customer service number and have this assembly manual open to the parts list ready to provide the model name, number and part name or number.



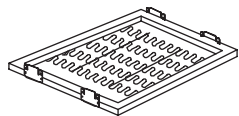
**WARNING:** This product may contain small components, please ensure they are kept away from small children.

## PARTS AND HARDWARE

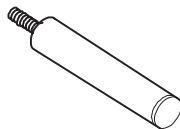
Avoid using sharp objects such as a knife to cut open packing as you may accidentally damage the upholstery.



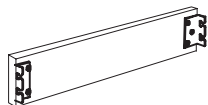
A. Backrest  
1x



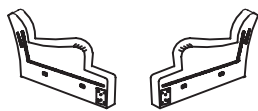
B. Seat Deck  
1x



C. Center Support Bar  
1x



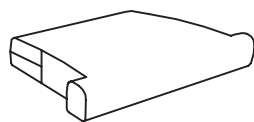
D. Front Panel  
1x



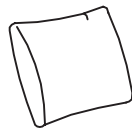
E. Arms  
2x



F. Legs  
4x

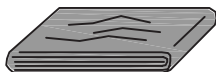


G. Seat Cushion  
2x

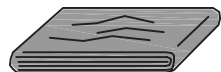


H. Pillow  
5x

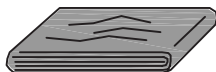
**\*\*\*ALL COVERS SHIPPED IN SEPARATE BOX FROM FRAME\*\*\***



I. Sofa Frame Cover  
1x

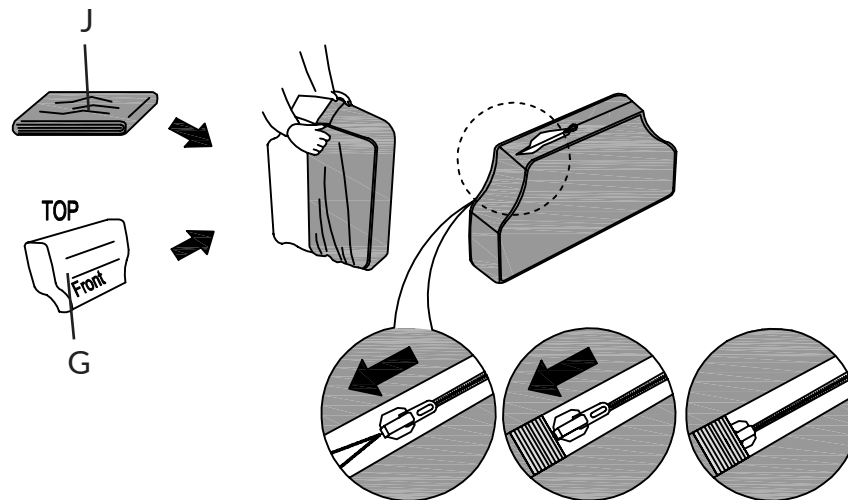


J. Seat Cushion Cover  
2x

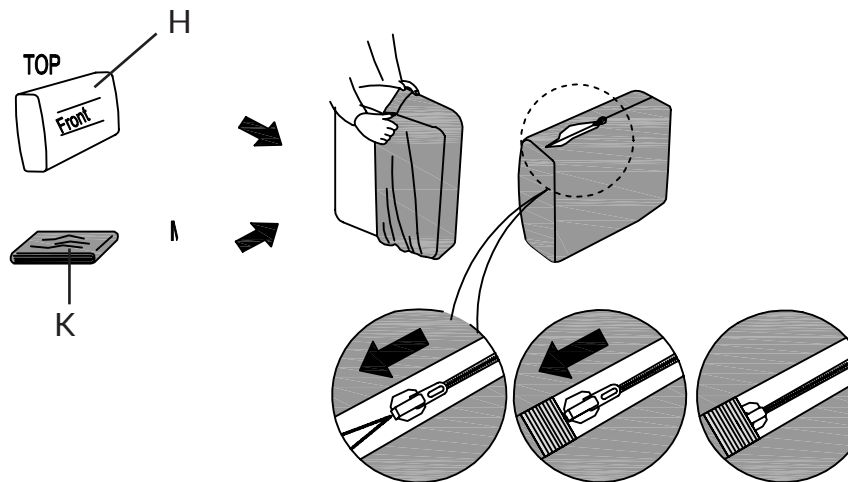


K. Pillow Cover  
5x

- 8** Insert Seat Cushion (G) into Seat Cushion Cover (J).  
Use care to make sure cover fits snugly inside.



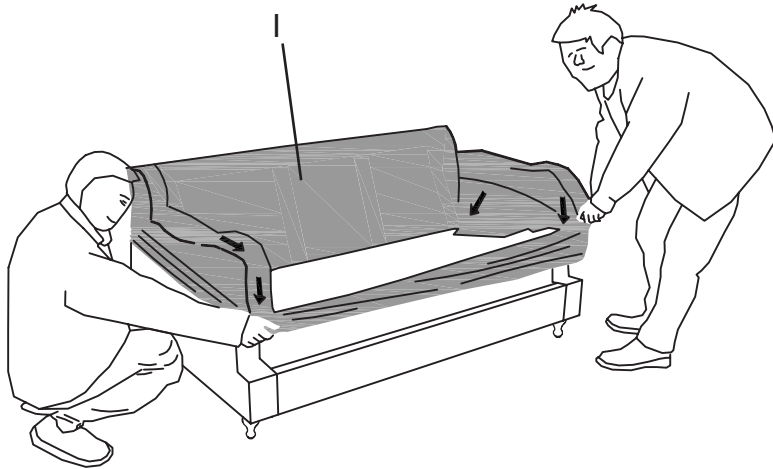
- 9** Insert Pillow (H) into Pillow Cover (K).  
Use care to make sure cover fits snugly inside.



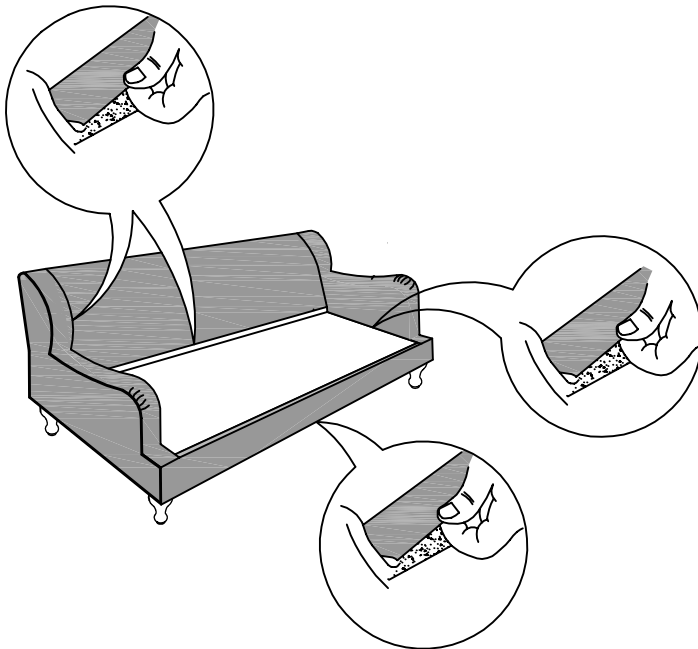
## ASSEMBLY INSTRUCTIONS

Do not fully tighten bolts until assembly is complete.

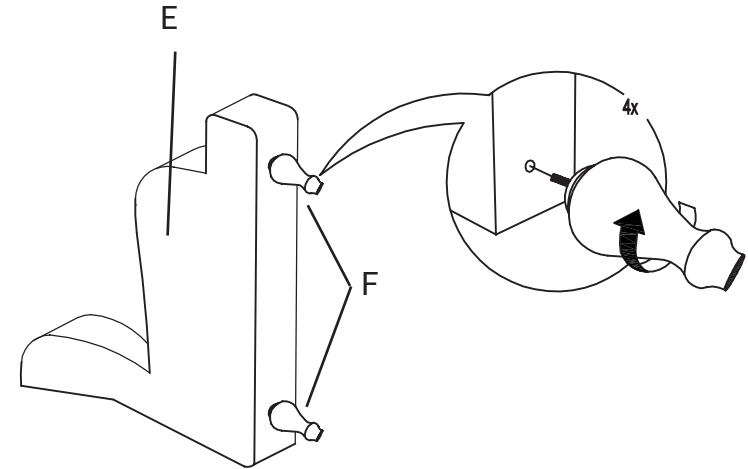
- 6** Attach the Sofa Frame Cover (I) to the Sofa Frame Assembly. The Cover Attaches to the frame using Velcro. Two People May Be Needed to Attach Cover Neatly.



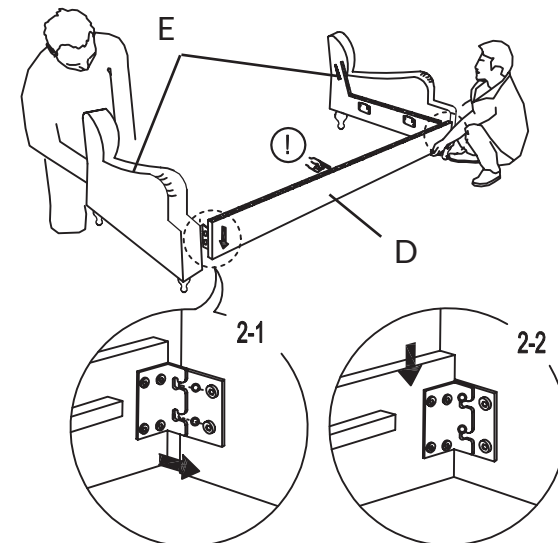
- 7** Clean up the Backrest cover, gently smooth out any wrinkles and re-attaching velcro for a nice, fit finish.



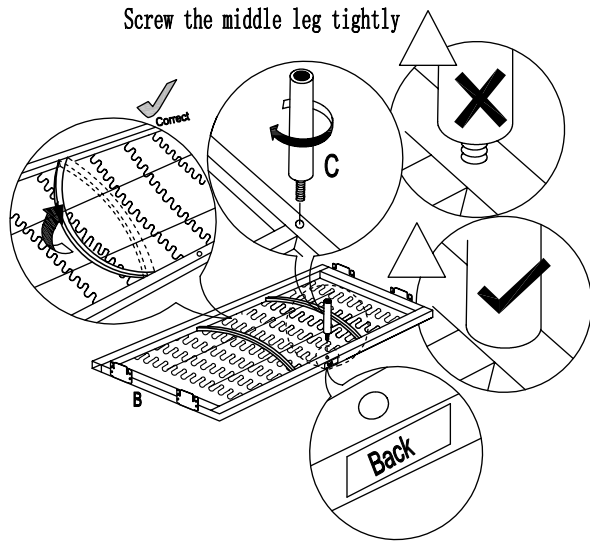
- 1** Attach Legs (F) to Arms (E) by hand turning threaded post into insert nut.



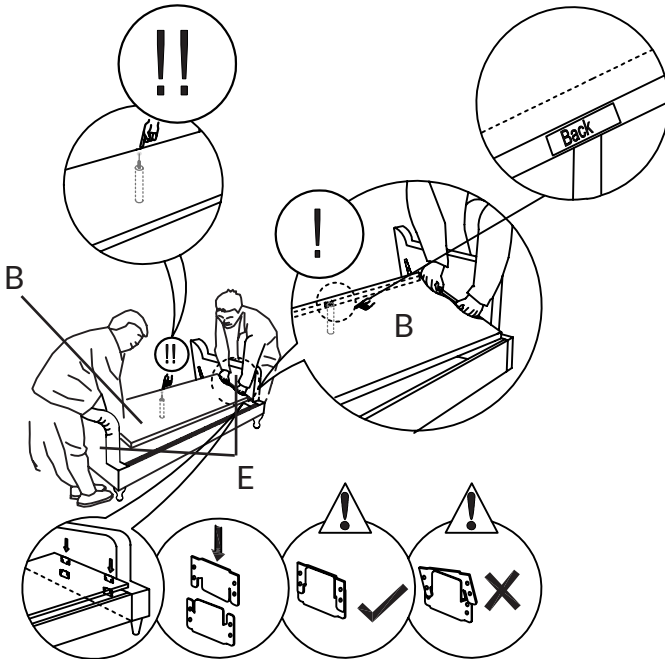
- 2** Attach Front Panel (D) to Arms (E) by slipping the bracket opening over the fixed post. Press down to click into place.



- 3** Attach Center Support Leg (C) to the Seat Deck (B) by hand turning threaded post into insert nut.



- 4** Attach the Seat Deck (B) to the Arms (E) by placing the two metal brackets on the Seat Deck (B) over the metal brackets on each Arm (E). The Seat Deck (B) will lock into place.



- 5** Attach the Backrest (A) to the Arms (E) by sliding the brackets on the Backrest (A) into the glides on the Arms (E).

