

# *ASSEMBLY INSTRUCTIONS*



*Fine Furniture for every stage of life*

## *Dining Side Chair*

REVISION 0: 05/26/2014  
REVISION 1: 08/19/2014  
REVISION 2: 02/18/2016  
REVISION 3: 11/13/2020

# ASSEMBLY INSTRUCTIONS

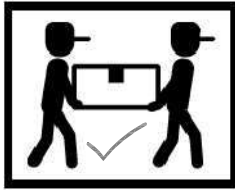
## ASSEMBLY TIPS :

1. Remove hardware from box and sort by size.
2. Please check to see that all hardware and parts are present prior to start of assembly.
3. Please follow attached instructions in the same sequence as numbered to assure fast & easy assembly.



### WARNING !

1. Don't attempt to repair or modify parts that are broken or defective. Please contact the store immediately.
2. This product is for home use only and not intended for commercial establishments.

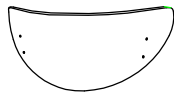


ASSEMBLY TIME

15 MINUTES

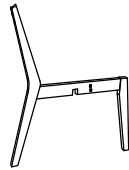
## PARTS IDENTIFICATION

AF BACKREST



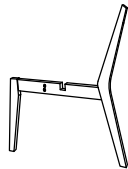
1PC

BF UPPER LEG FRAME



1PC

CF LOWER LEG FRAME



1PC

DF WOOD CLEAT



1PC

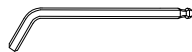
EF SEAT CUSHION



1PC

## HARDWARE IDENTIFICATION

1 ALLEN WRENCH  
(M4 x 110MM - BLK)



1PC

2 LONG BOLT  
(M6 x 60MM - RBW)



4PCS

3 MEDIUM BOLT  
(M6 x 35MM - RBW)



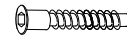
4PCS

4 SHORT BOLT  
(M6 x 25MM - RBW)



4PCS

5 BOLT  
(M7 x 50MM - ZB)



1PC

6 LOCK WASHER  
(1/4" - BLK)



8PCS

7 FLAT WASHER  
(M6 X 13MM - RBW)



4PCS

8 WOOD PLUG  
(Ø14.5 X 9MM)



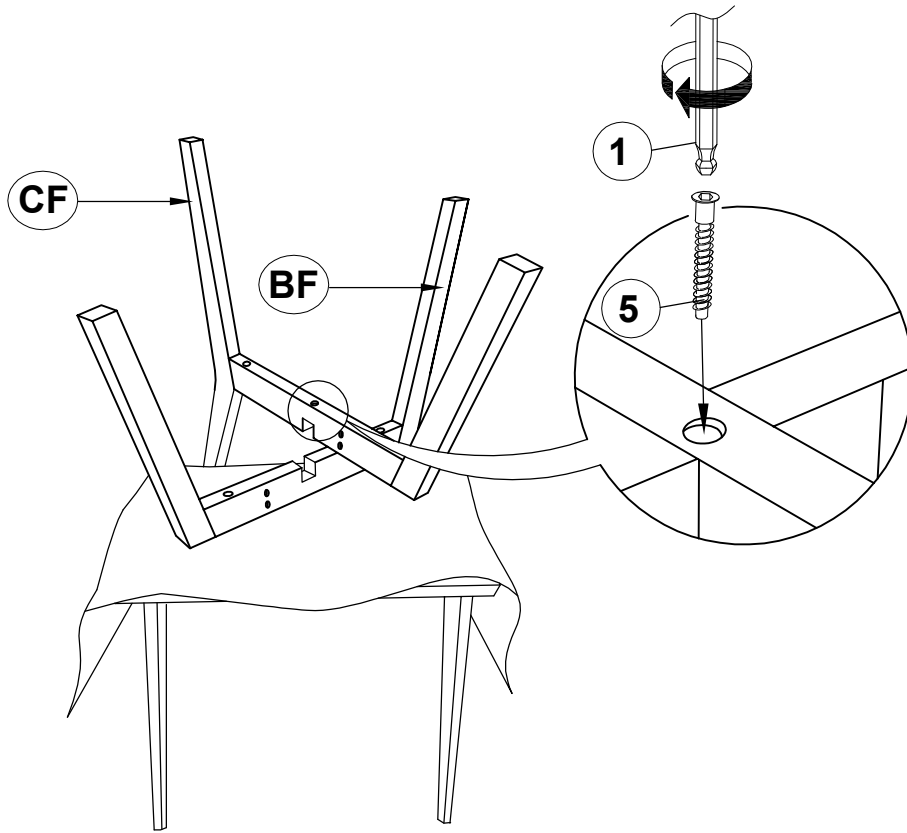
4PCS

### NOTE :

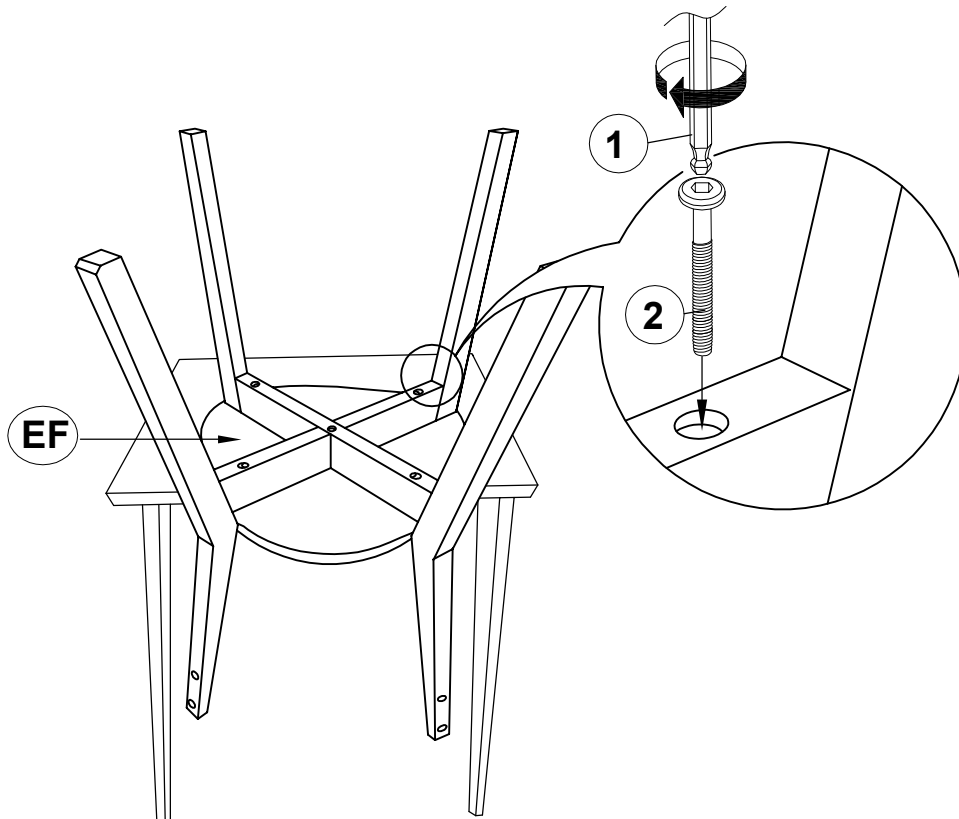
Phillips head screw driver is required in the assembly process; However, manufacturer not provide this item. Quantities shown are for one chair.

# ASSEMBLY INSTRUCTIONS

## STEP 1

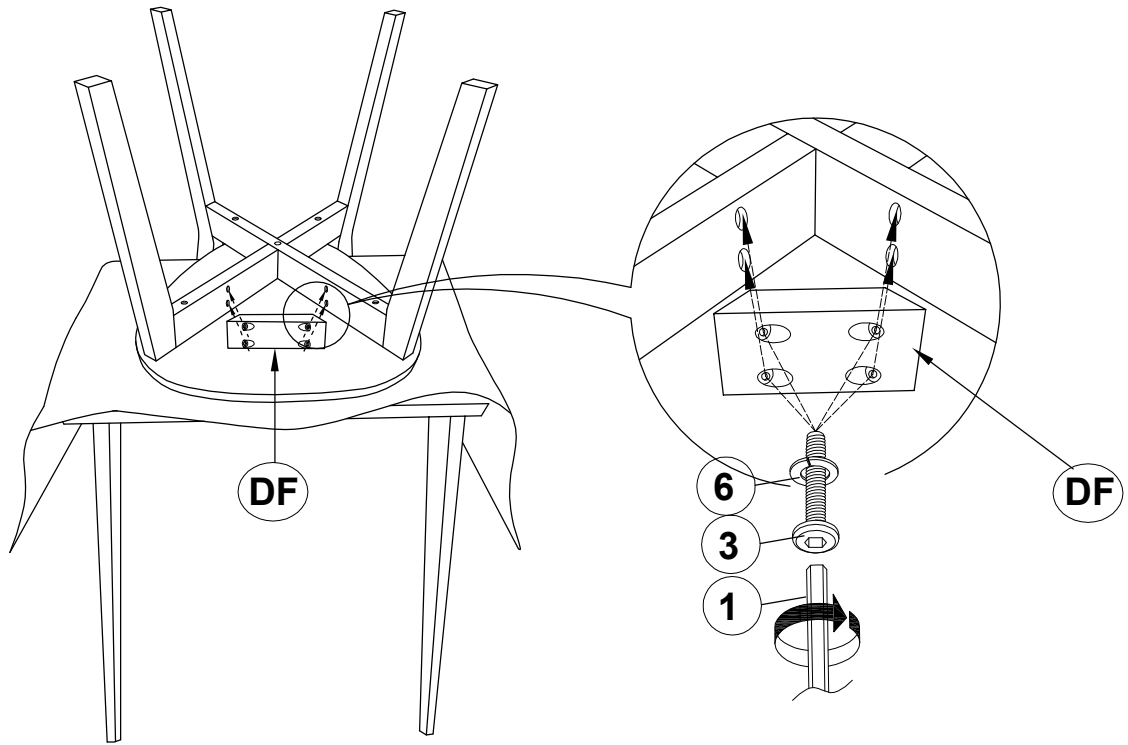


## STEP 2

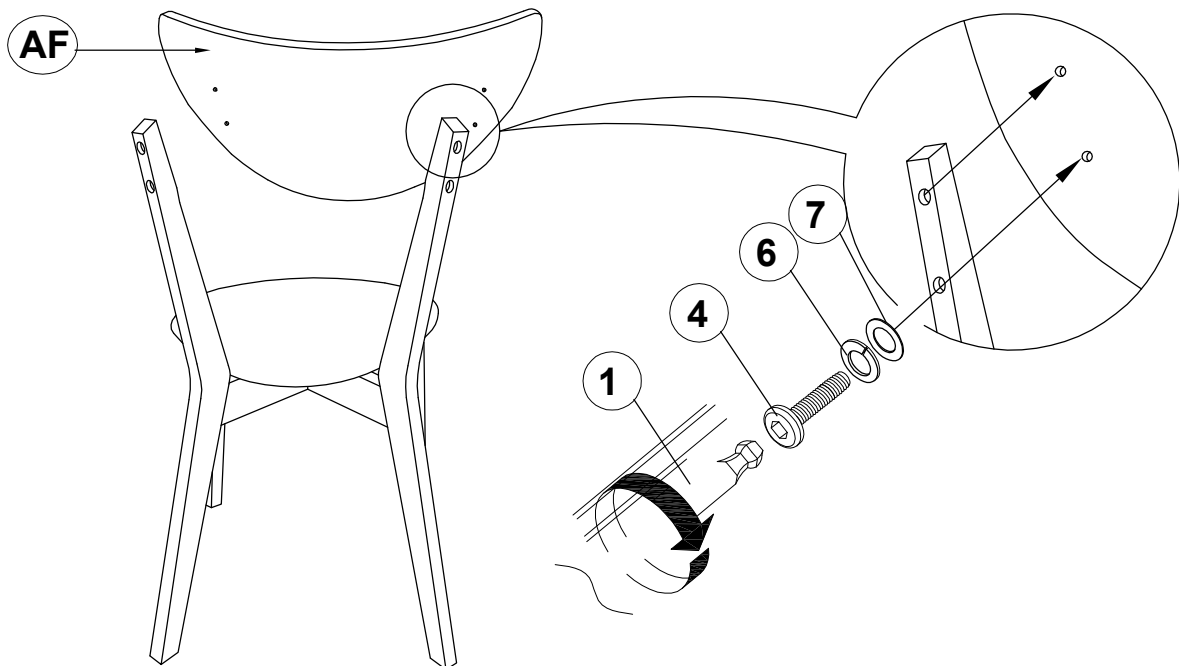


# ASSEMBLY INSTRUCTIONS

## STEP 3

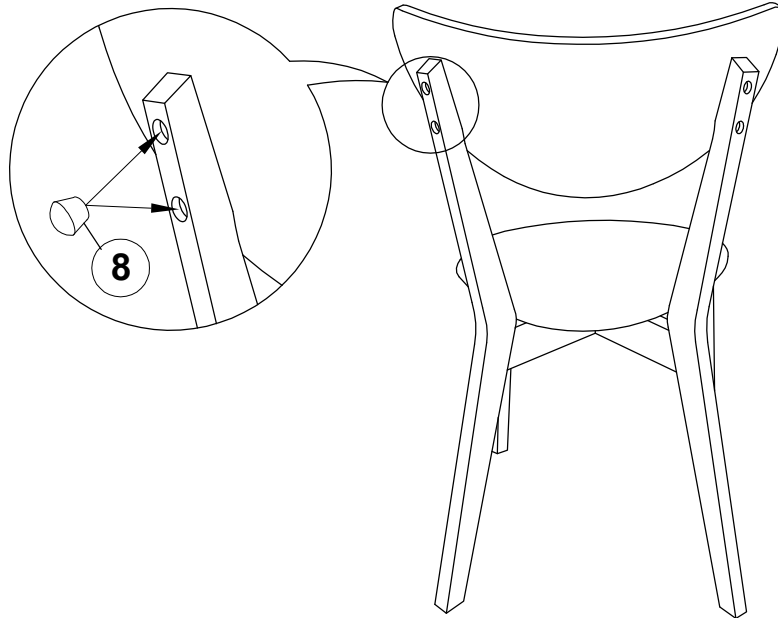


## STEP 4

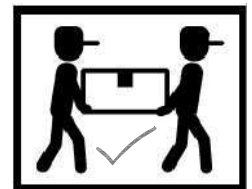
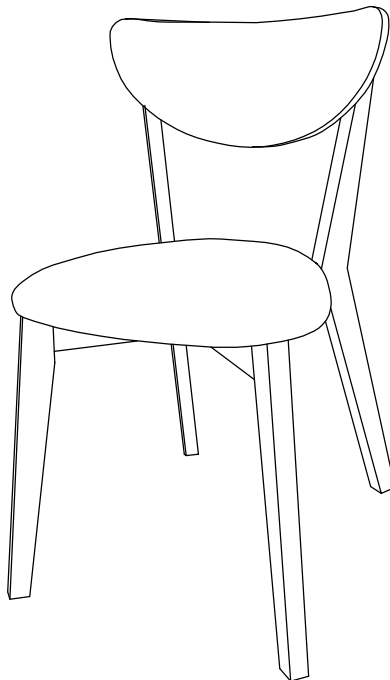


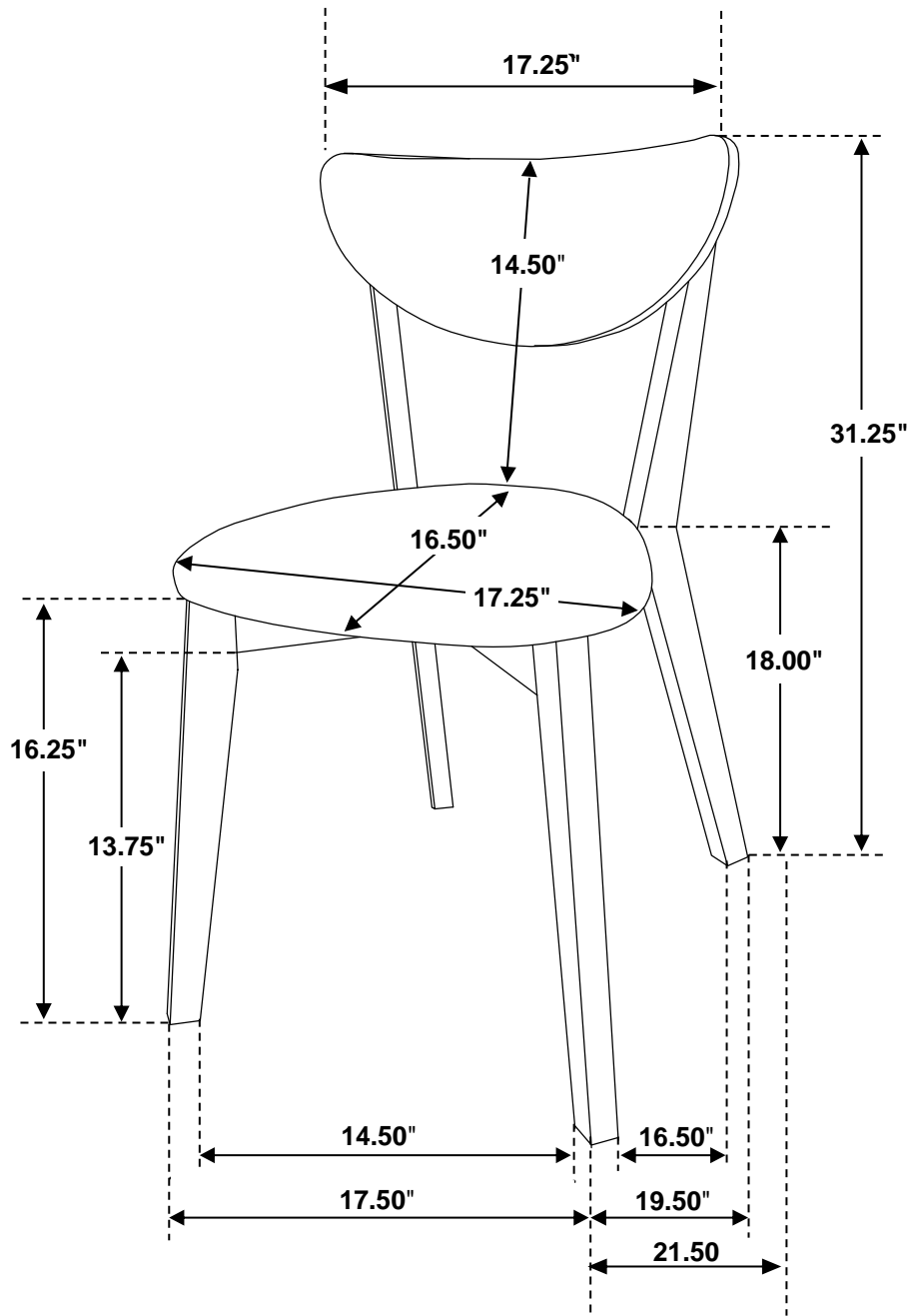
# ASSEMBLY INSTRUCTIONS

## STEP 5



## STEP 6 COMPLETE





**Note: Dimension tolerance  $\pm 5\%$**