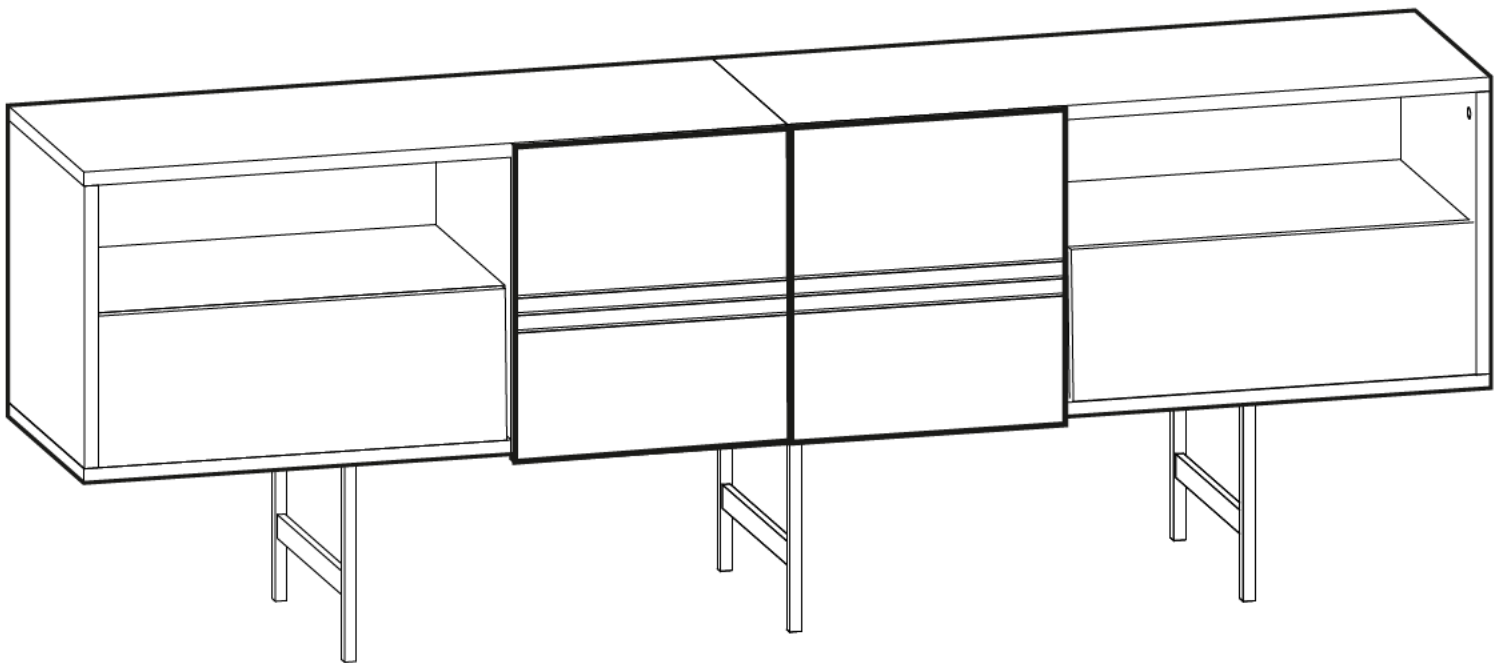
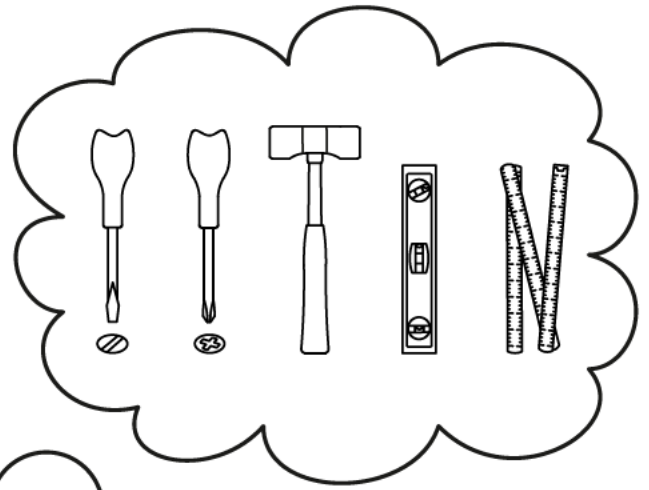
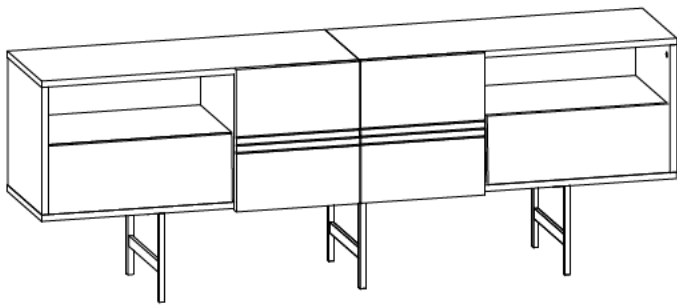


**Sideboard
Assembly
Instruction**

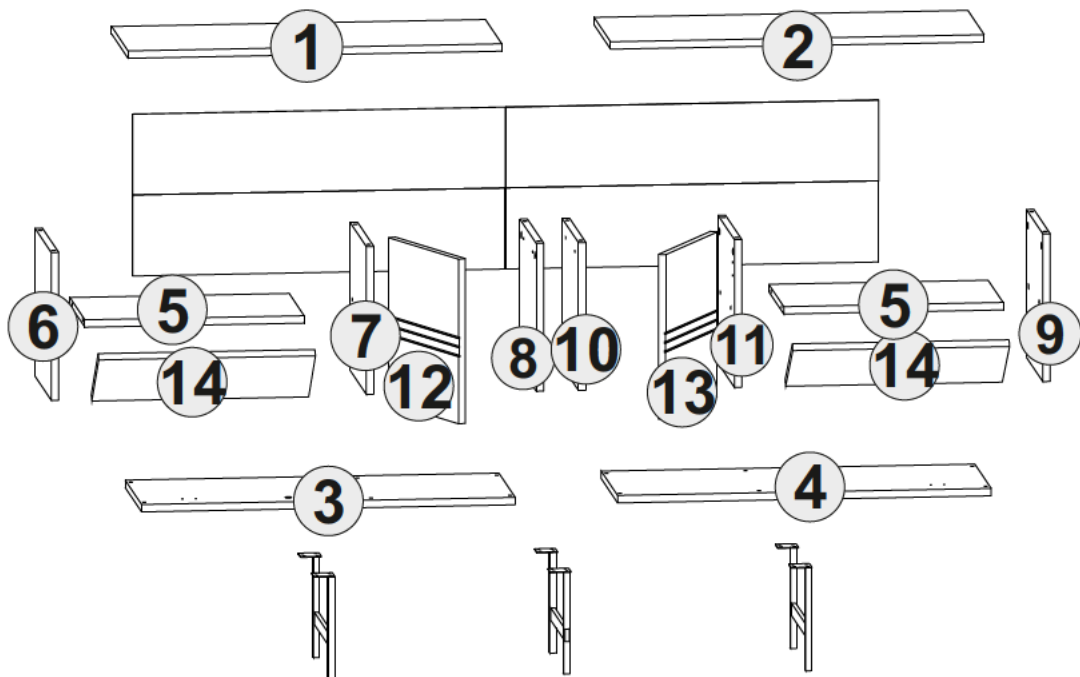


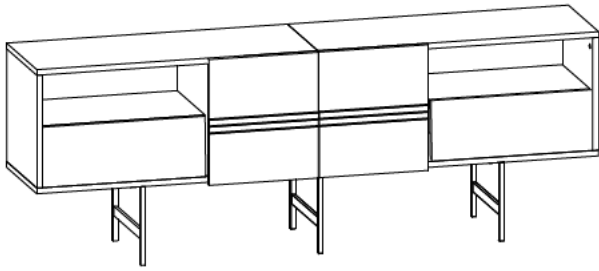


Part#1	1x
Part#2	1x
Part#3	1x
Part#4	1x
Part#5	2x
Part#6	1x
Part#7	1x
Part#8	1x
Part#9	1x
Part#10	1x
Part#11	1x
Part#12	1x
Part#13	1x
Part#14	2x






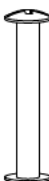
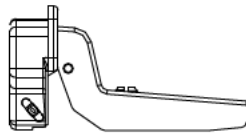
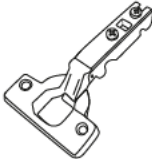

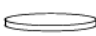

Disassembled Parts

TOTAL 16



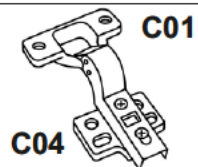


Tools & Installation Components

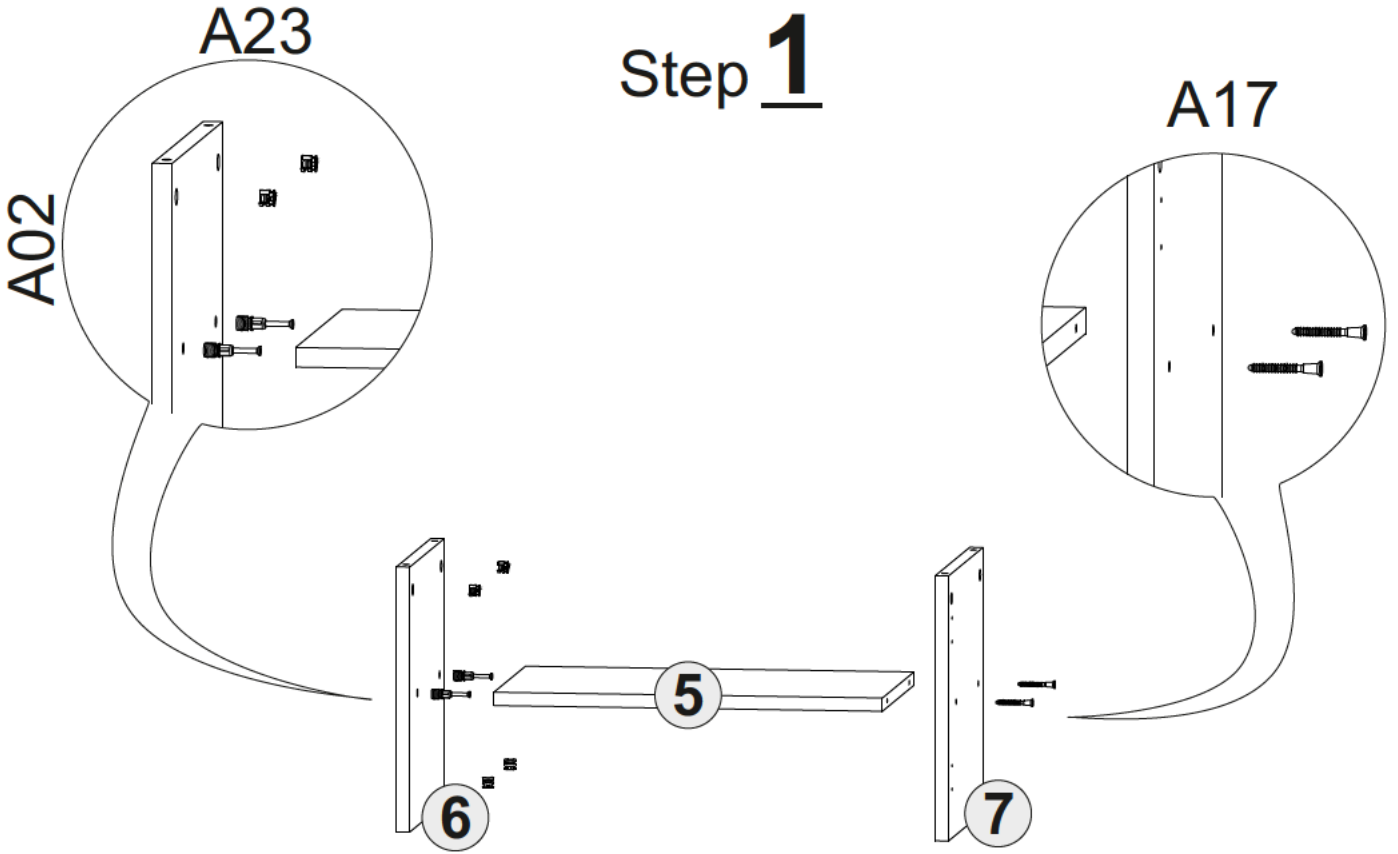
- | | | | | | |
|---|---|---|---|---|---|
|  |  |  |  |  |  |
| A19 3,5x18 screw | A23 Q10 minifix screw | A02 15x14 minifix head | A17 6x50 screw | A28 nail | A06 mounting screw |
| 50x | 16x | 16x | 20x | 30x | 4x |
|  |  |  |  |  | |
| C02 inset hinge | C01 hinge base | C04 hinge mounting plate | Q12 sticker | Q15 sticker | |
| 4x | 4x | 8x | 4x | 10x | |



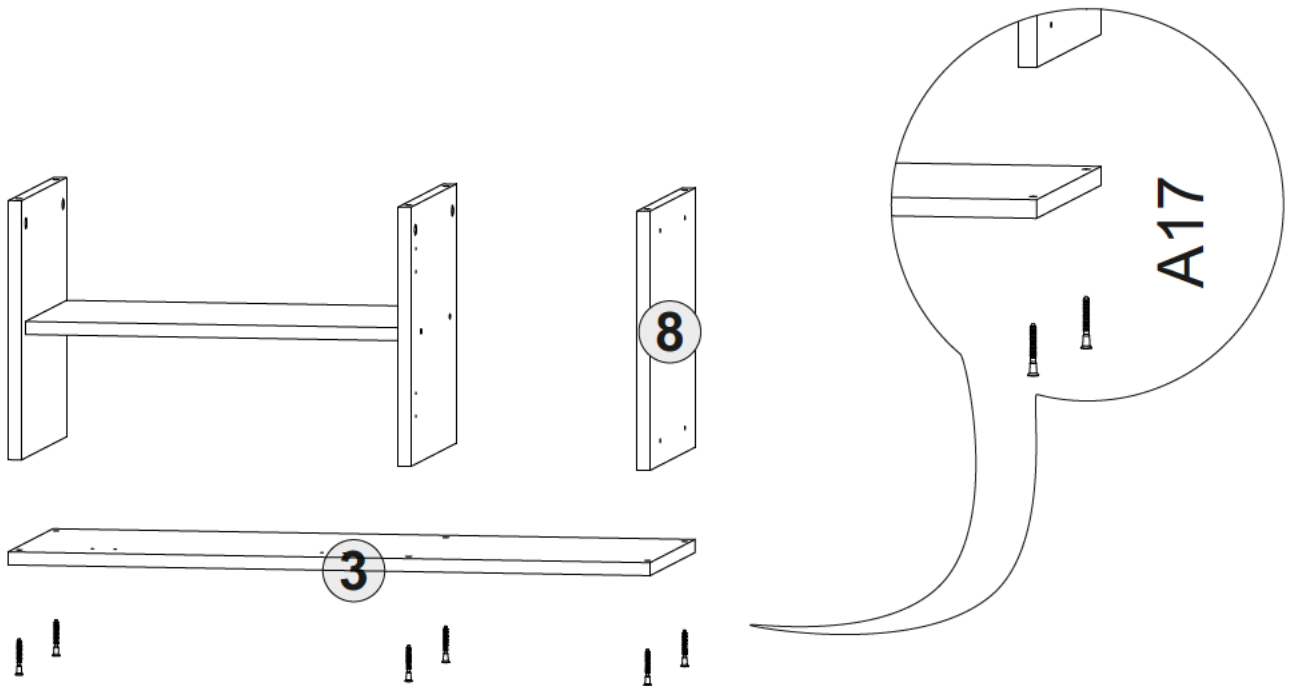
Please be aware that C01(bracket) and C04(pivot) parts may come as attached together.



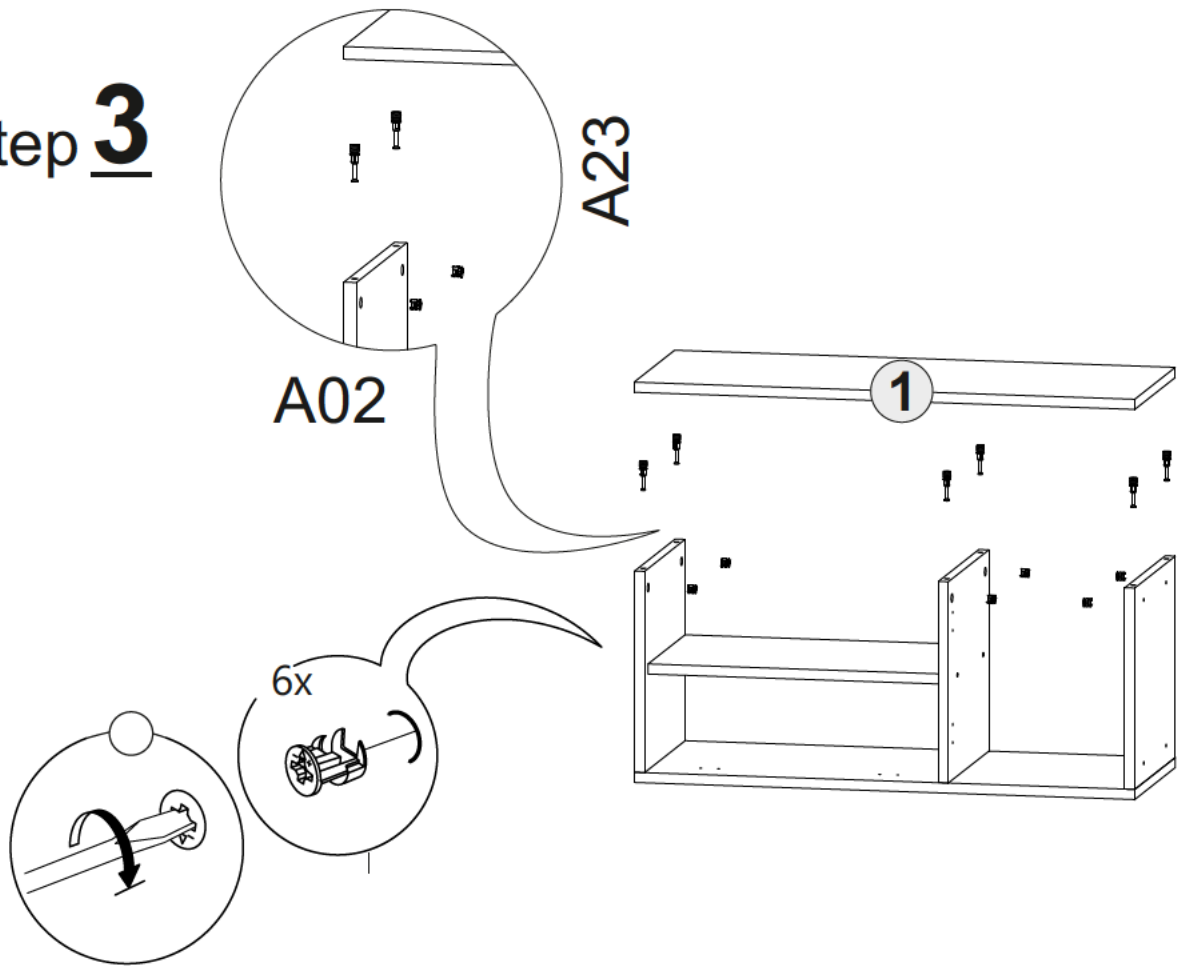
Step 1



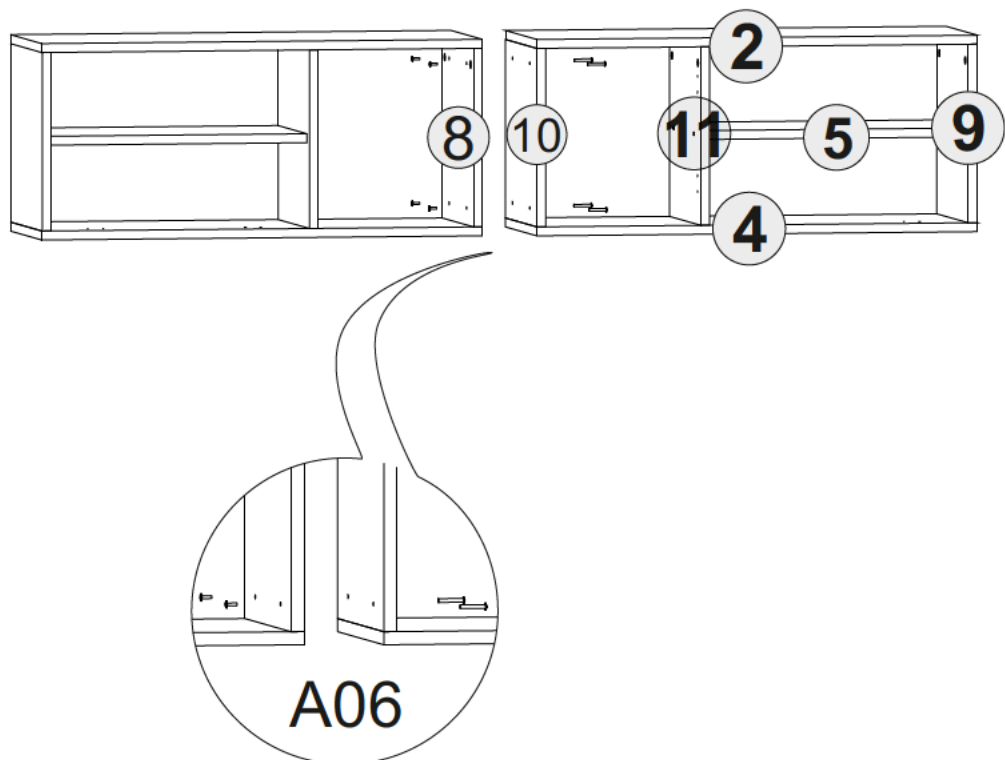
Step 2



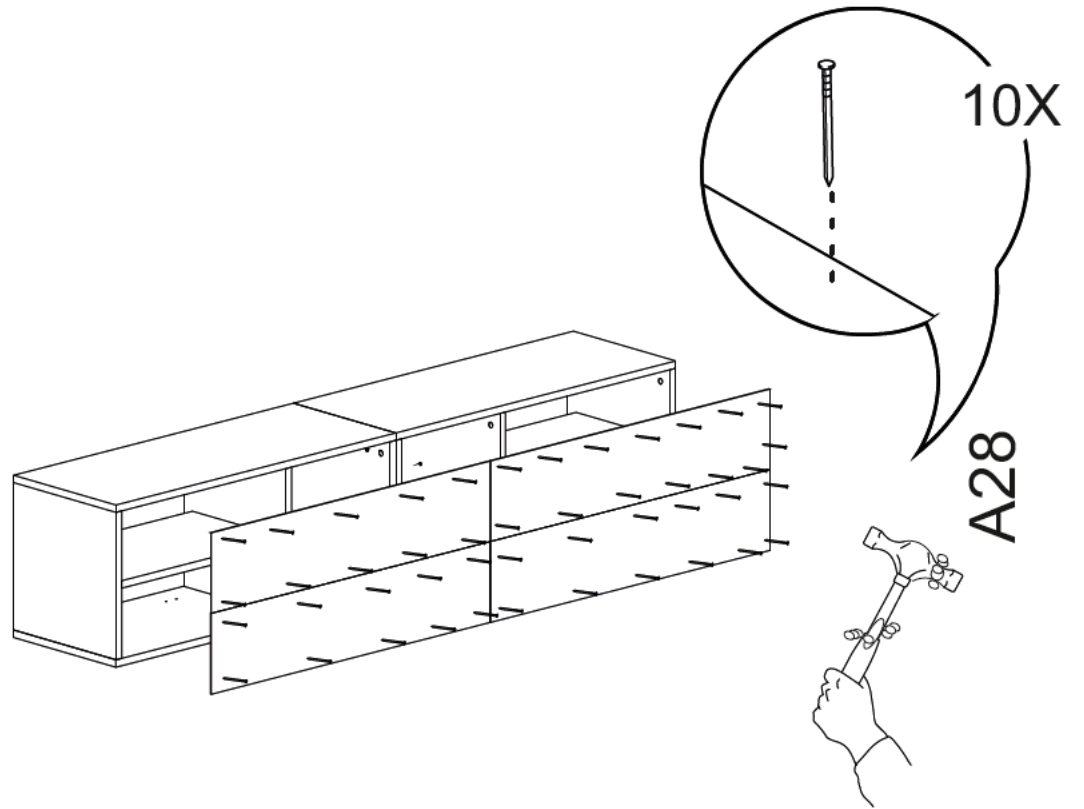
Step 3



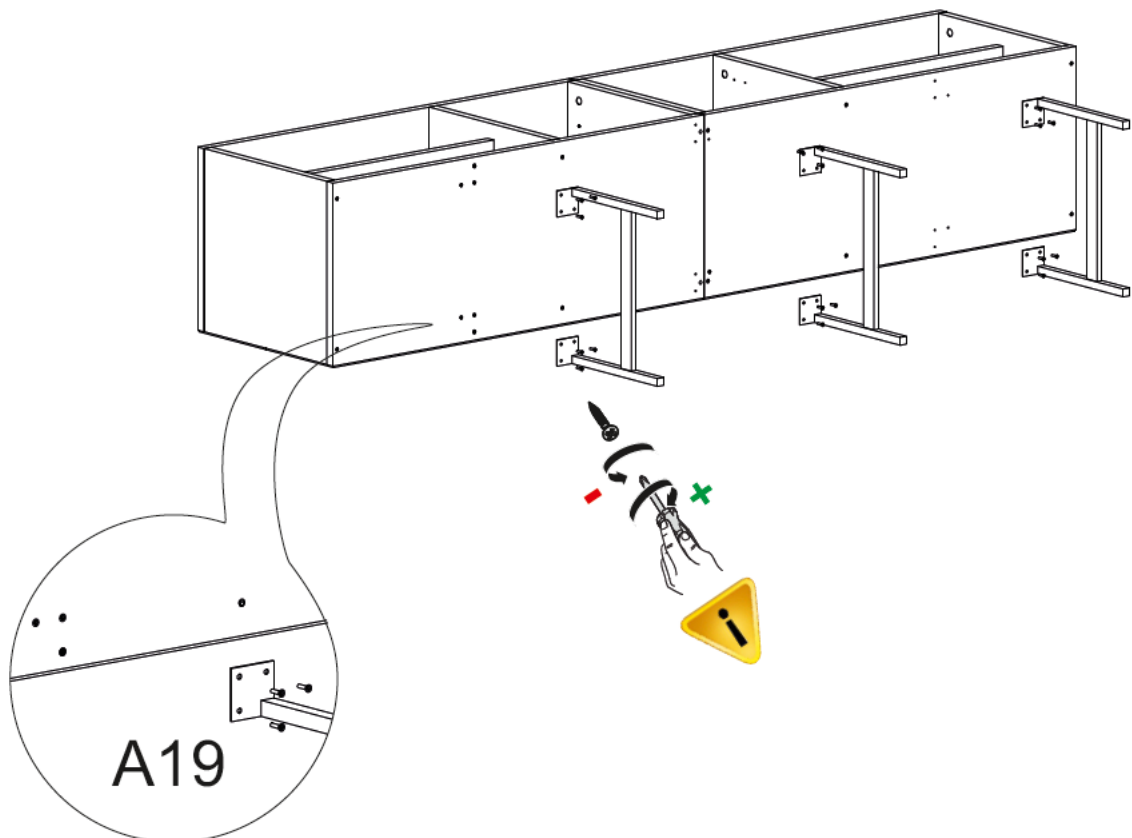
Step 4



Step 5



Step 6



C02 for horizontal doors
C01 for vertical doors

