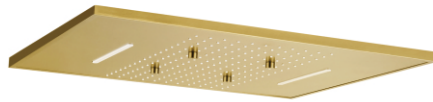




Concealed thermostatic shower installation manual

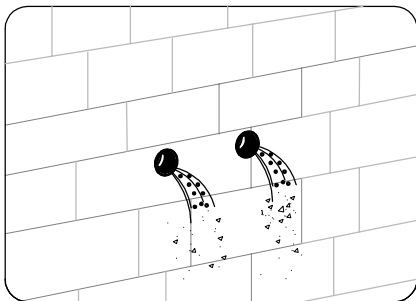


KCHS0002

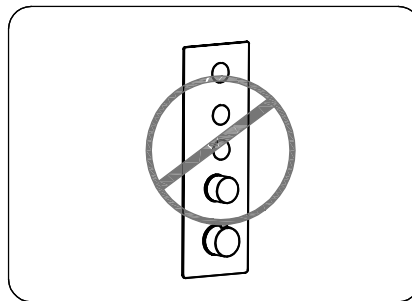
Installation attention items

- 1、 The product has been strictly tested, please do not disassemble it privately, so as not to affect the service life of the product.
- 2、 Before installing the shower, the impurities in the water pipe must be rinsed (Figure 1 below).
- 3、 Please strictly follow the dimensions and installation instructions in the dimension drawing for installation.
- 4、 Since the temperature control valve core is a relatively precise part, please do not disassemble it privately, otherwise it may cause water leakage and other adverse phenomena.
- 5、 Please do not bump the main body of the faucet, otherwise it may cause malfunction and water leakage.
- 6、 After the installation is completed, please check whether there is any water leakage at the connection, and make sure that the seal is firm before pouring concrete.
- 7、 To keep the surface of the product bright for a long time, when cleaning the surface, gently wipe with a cotton towel dampened with water.
- 8、 Do not use any acidic cleaners to clean the surface.

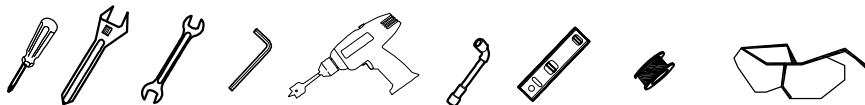
1. Please open the water valve to rinse out the impurities in the pipe

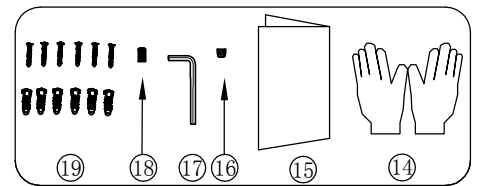
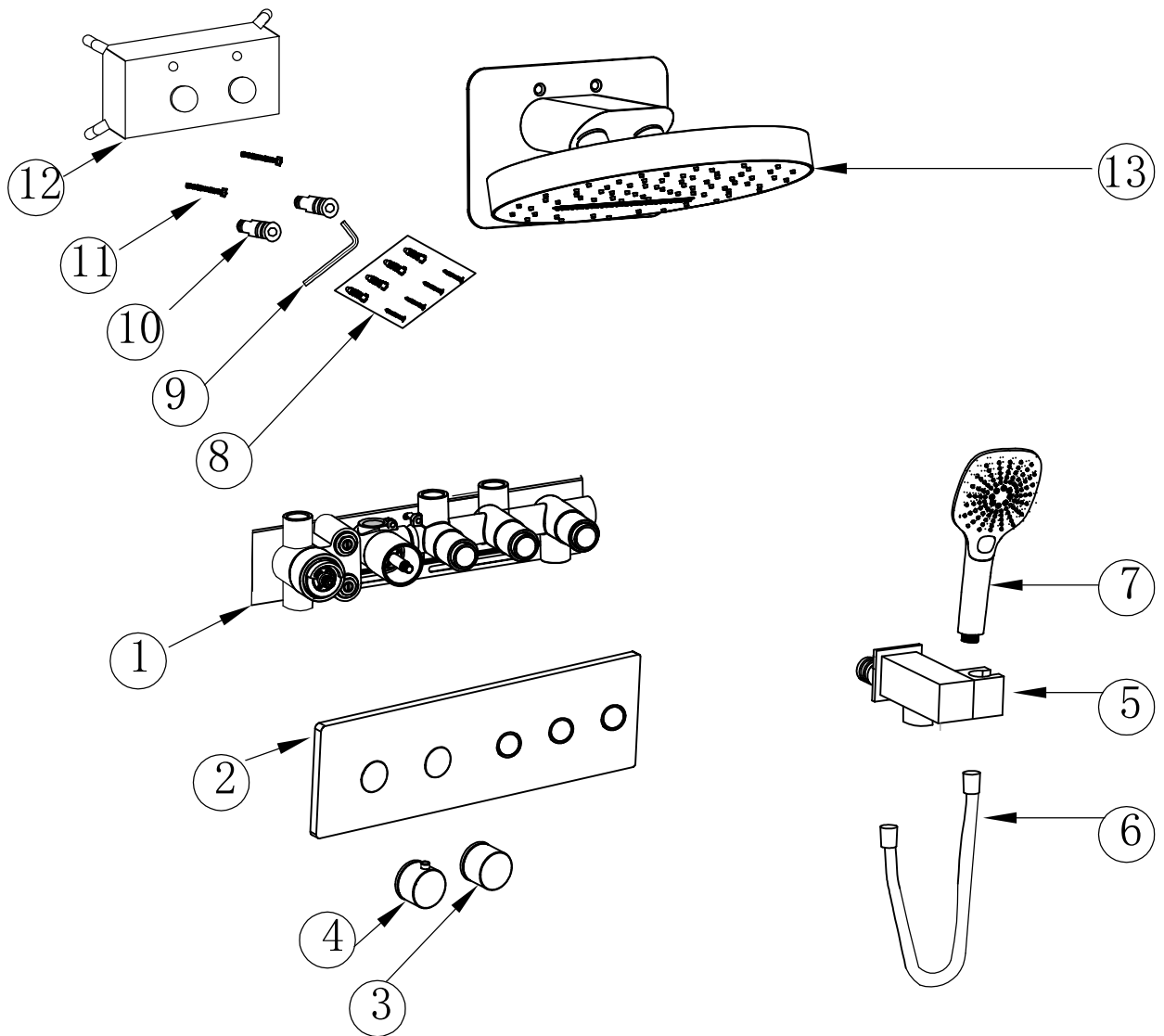


2. wrong direction



Tools You May Need for
Shower Installation

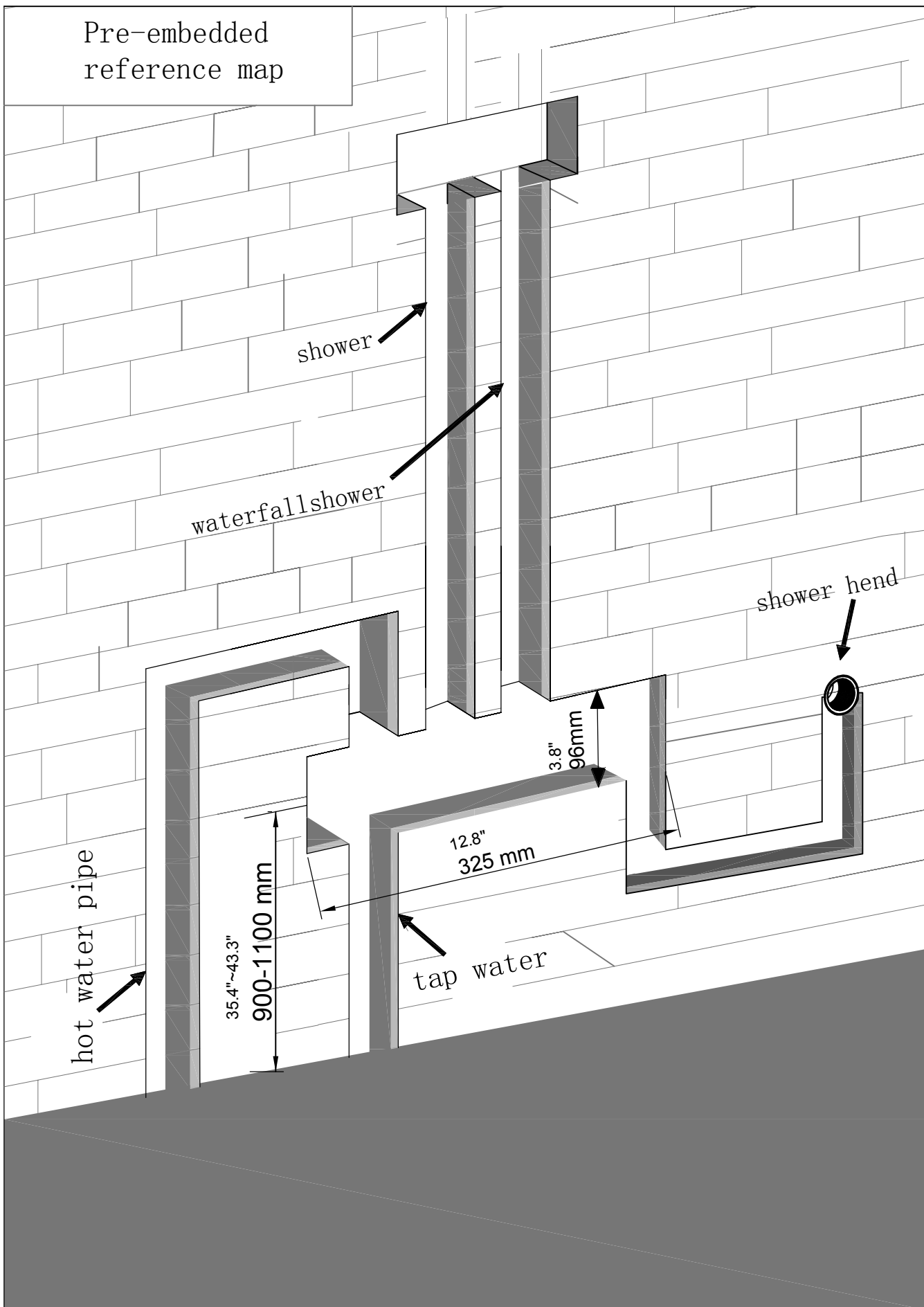


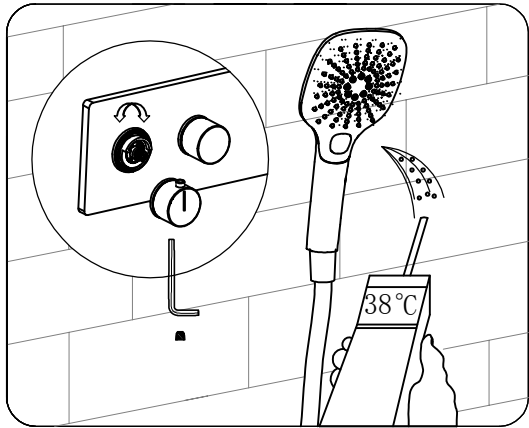
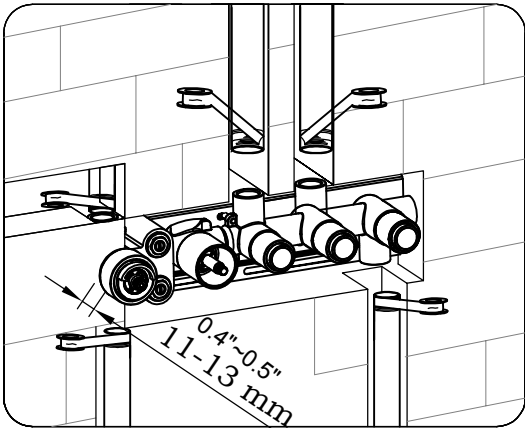
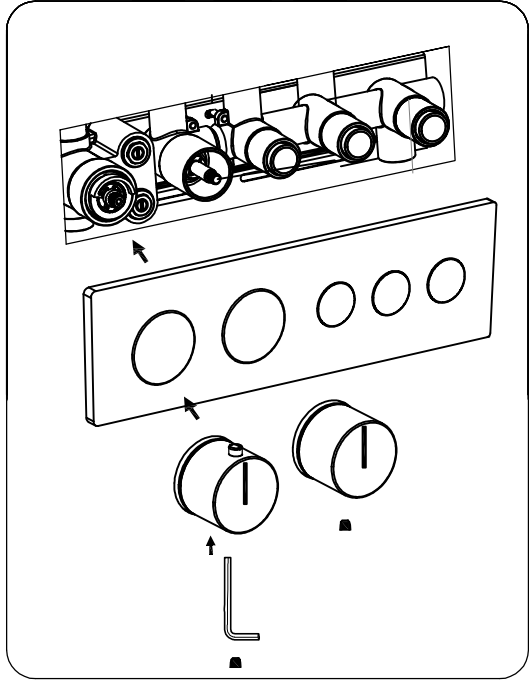
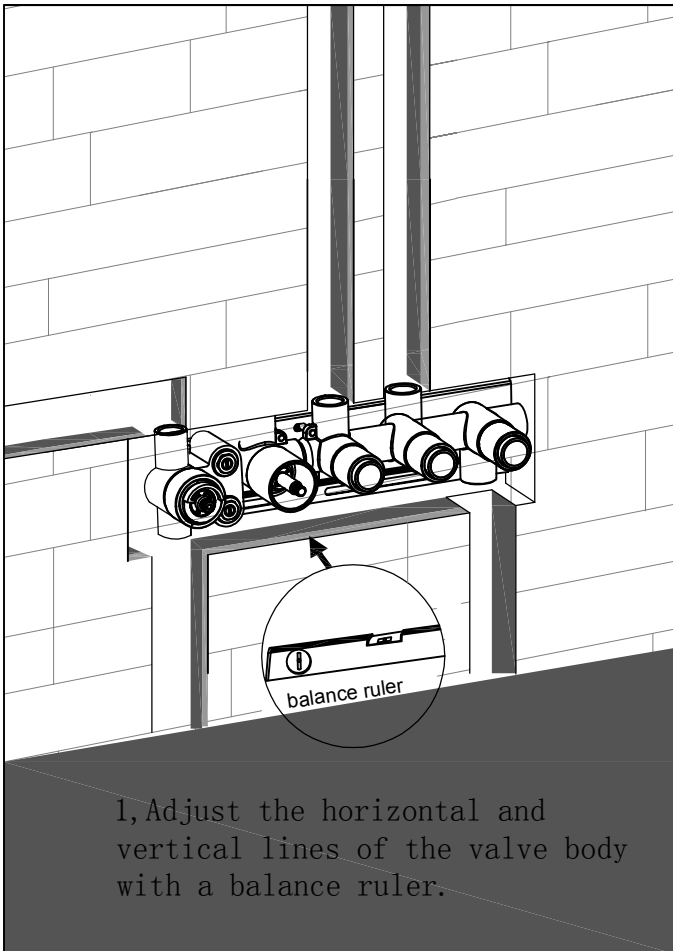


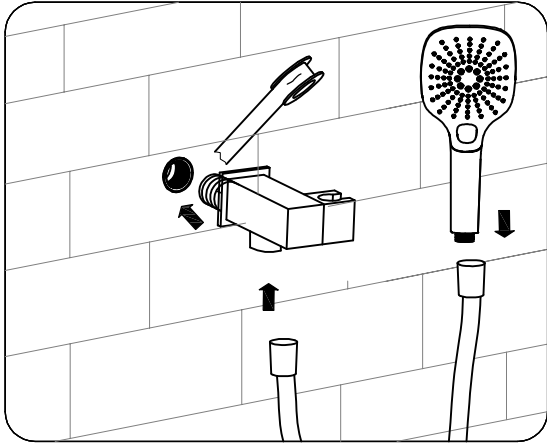
Accessories

project	Parts name	quantity	project	Parts name	quantity	project	Parts name	quantity
①	shower valve body	1	⑧	screws	4	⑮	Contents Manual	1
②	decorative panel	1	⑨	Allen wrench	1	⑯	Knob rubber plug	8
③	switch knob	1	⑩	shower connector	2	⑰	fixed bracket	1
④	temperature knob	1	⑪	screw	2	⑱	Knob rubber plug	4
⑤	shower bracket	1	⑫	Embedded box	1	⑲	set screw	8
⑥	Connecting pipe	1	⑬	wall mount shower head	1			
⑦	shower hend	1	⑭	Gloves	2			

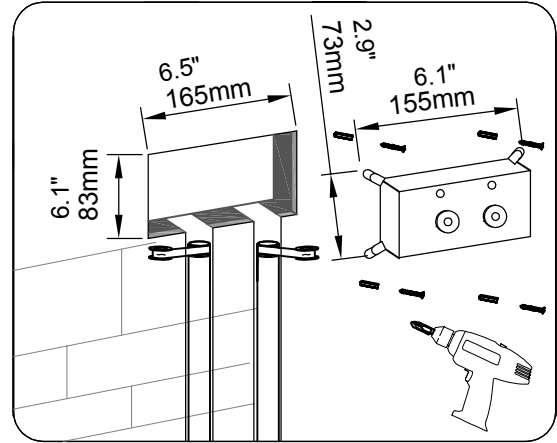
Pre-embedded
reference map



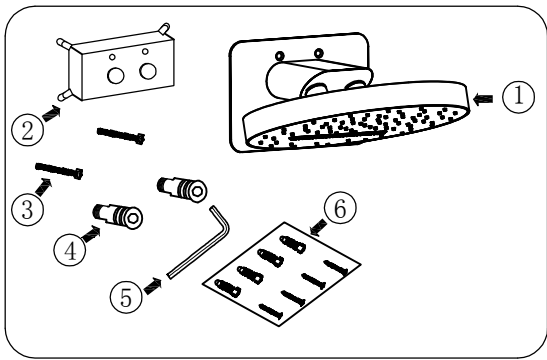




5. Follow the instructions in the picture to install

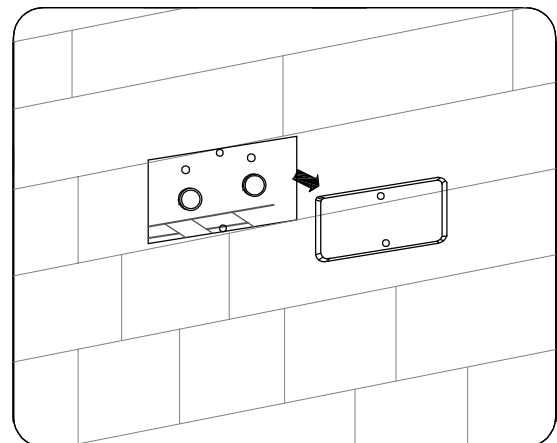


9. Embedded box installation water pipe



6. shower assembly parts

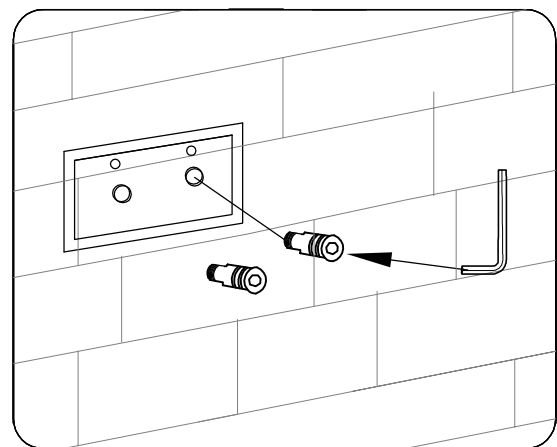
project	Parts name	quantity
①	wall mount shower head	1
②	Embedded box	1
③	screw	2
④	shower connector	2
⑤	Allen wrench	1
⑥	screws	4



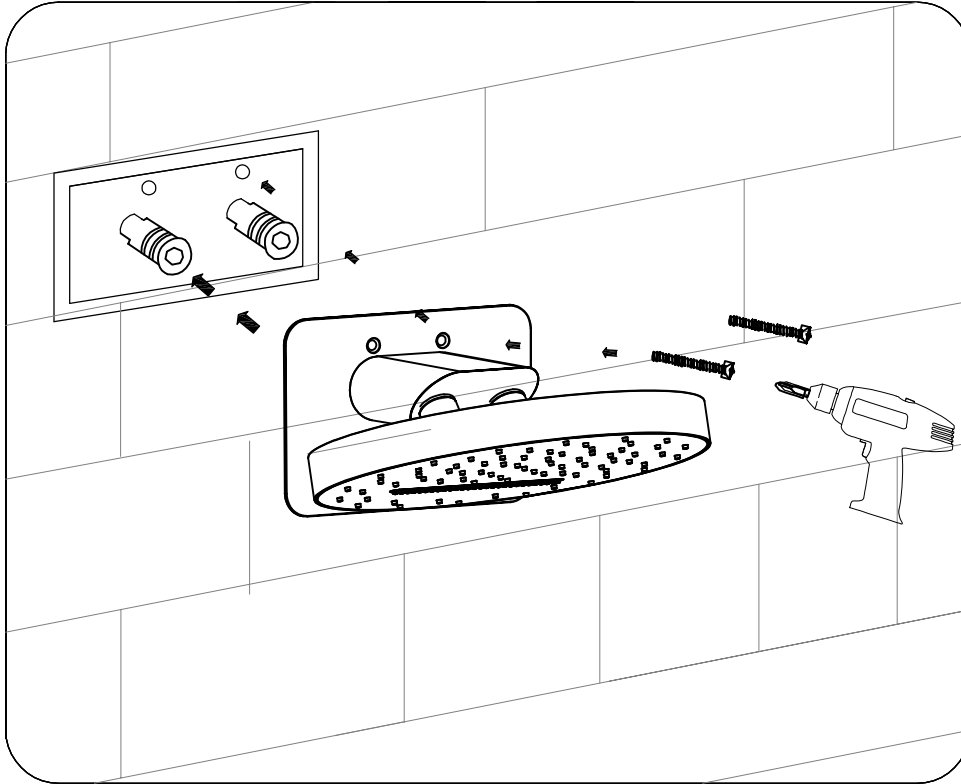
10, The embedded box is installed, waiting for the concrete to solidify. Remove the protective cover.



7, The thickness of the tiles must be calculated before the embedded depth is installed



11, Tighten the fitting with an Allen wrench



11. Install the shower head in the order indicated by the arrows

reading

1: The product has been tested before leaving the factory, and the inside of the valve body. There may be water dripping out, there is no quality problem.

2: Turn on the knob, please try the temperature with your hands first to avoid accidental burns.

3: If you need to adjust the temperature, you must slowly turn the knob to adjust, Adjusting too quickly will produce instantaneous high temperature, to avoid instant high temperature burns.

4: Align the thermostat knob to the line on the trim plate 100F° or 38° C, the temperature defaults to /100F° , or 38° C (if using high temperature) After hot water, the thermostat knob must return to 100F° , or 38° C position in case you forget to switch back to the original position to prevent high temperature burns.

5. The thermostatic shower cannot be used in an environment below -5° C, otherwise it may fail due to freezing and cause burns.

Website: www.casainc.com

Contact Phone Number: 888-257-3857

Service Contact : service@casainc.com