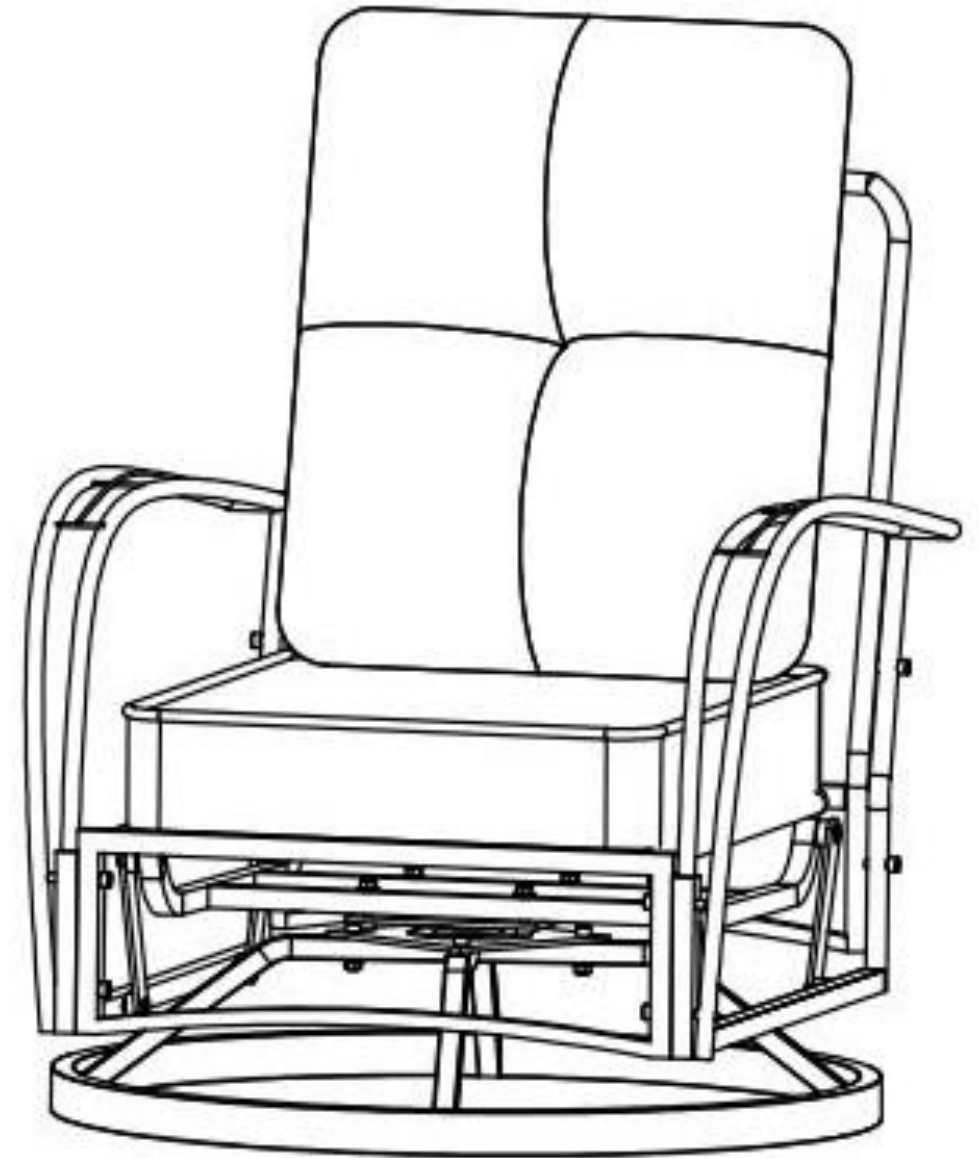


Outdoor Swivel Chair LYOT210

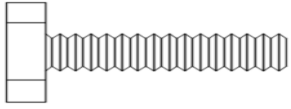


ATTENTION:

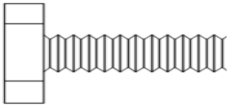
1. Please check the manual carefully and make sure you have received all the parts.
2. If there is any missing, please let us know the letter of the parts you need.
3. If there is any damage, please send clear photos to us, we will check and offer you best solution soon.

Assembly Instruction

1 X4 Bolt M8 X 50



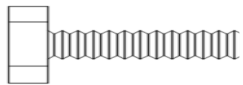
2 X4 Bolt M8 X 35



3 X10 Bolt M6 X 40



4 X8 Bolt M6 X 30



5 X36 Washer M8



6 X18 Washer M6



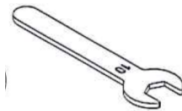
7 X4 Lock Nut M8



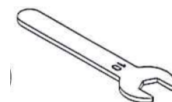
8 X8 Lock Nut M6



9 X1 Spanner M8



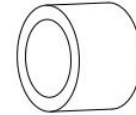
10 X1 Spanner M6



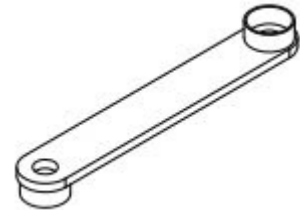
11 X1 Allen Key



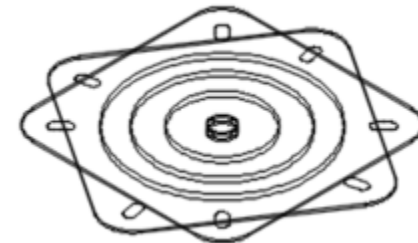
12 X8 Support Piece



13 X4 Support Pat

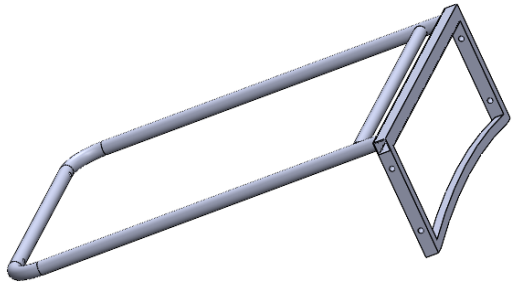


14 X1 Turntable

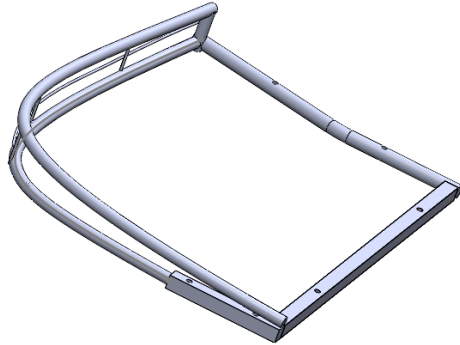


Assembly Instruction

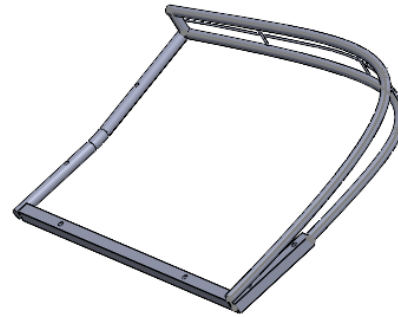
A X1 Seat Frame



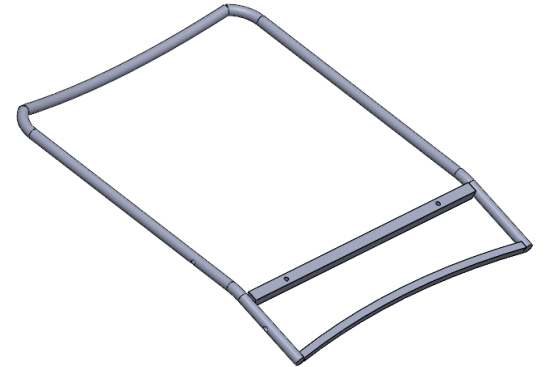
B X1 Arm Left



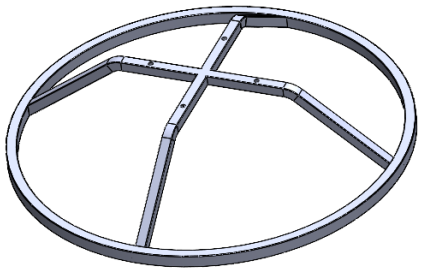
C X1 Arm Right



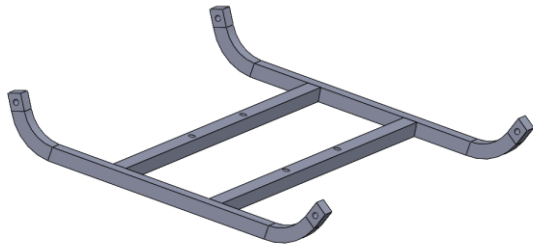
D X1 Back Frame



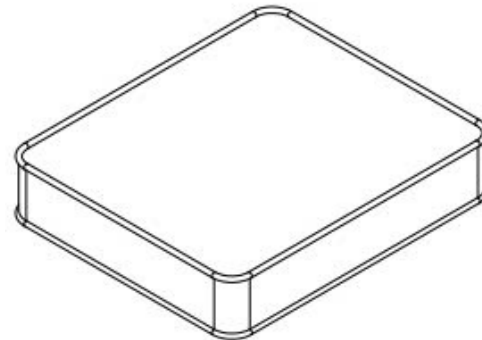
E X1 Leg Frame



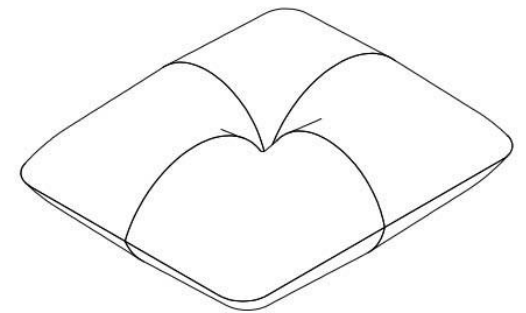
F X1 Support Frame



G X1 Cushion



H X1 Backrest

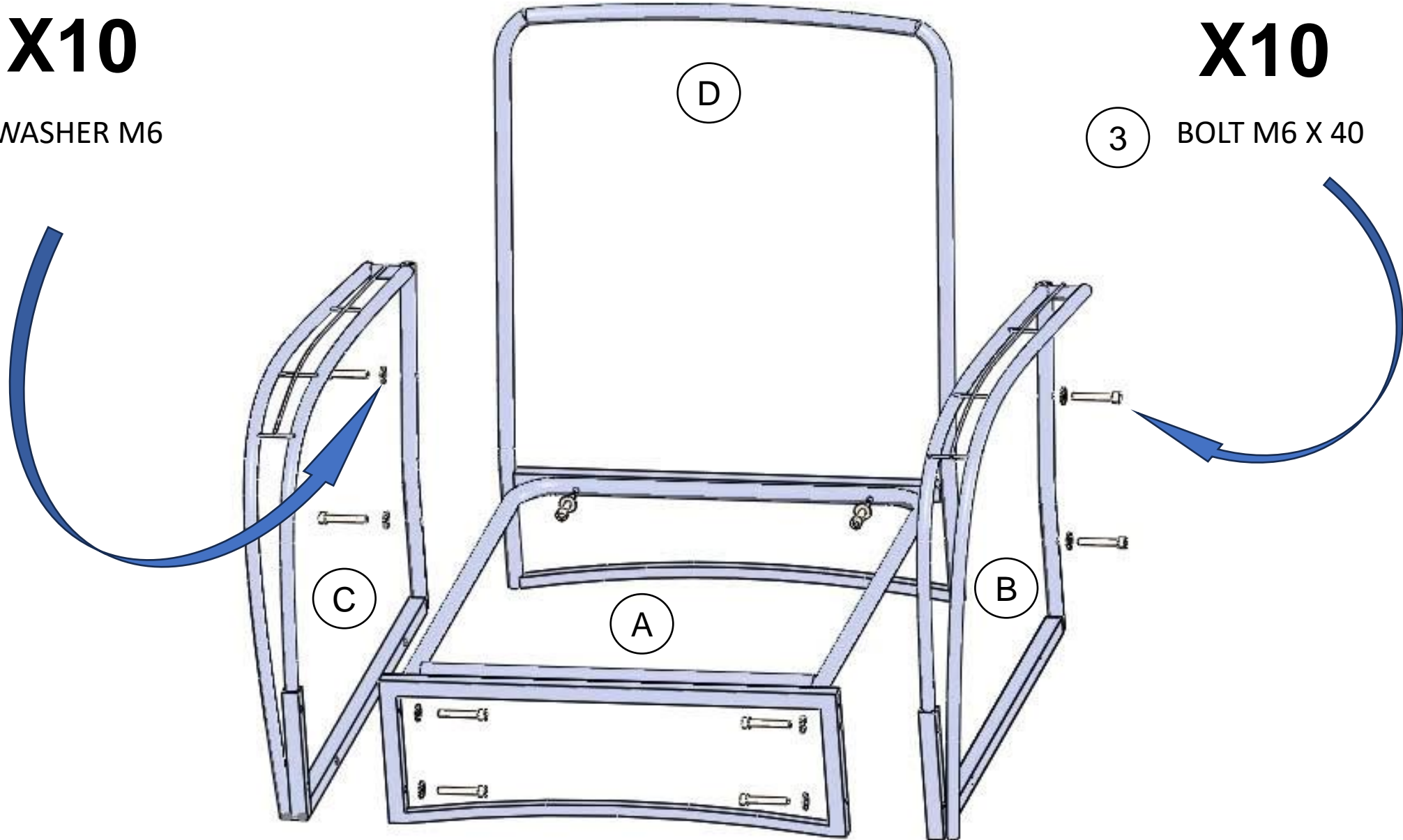


X10

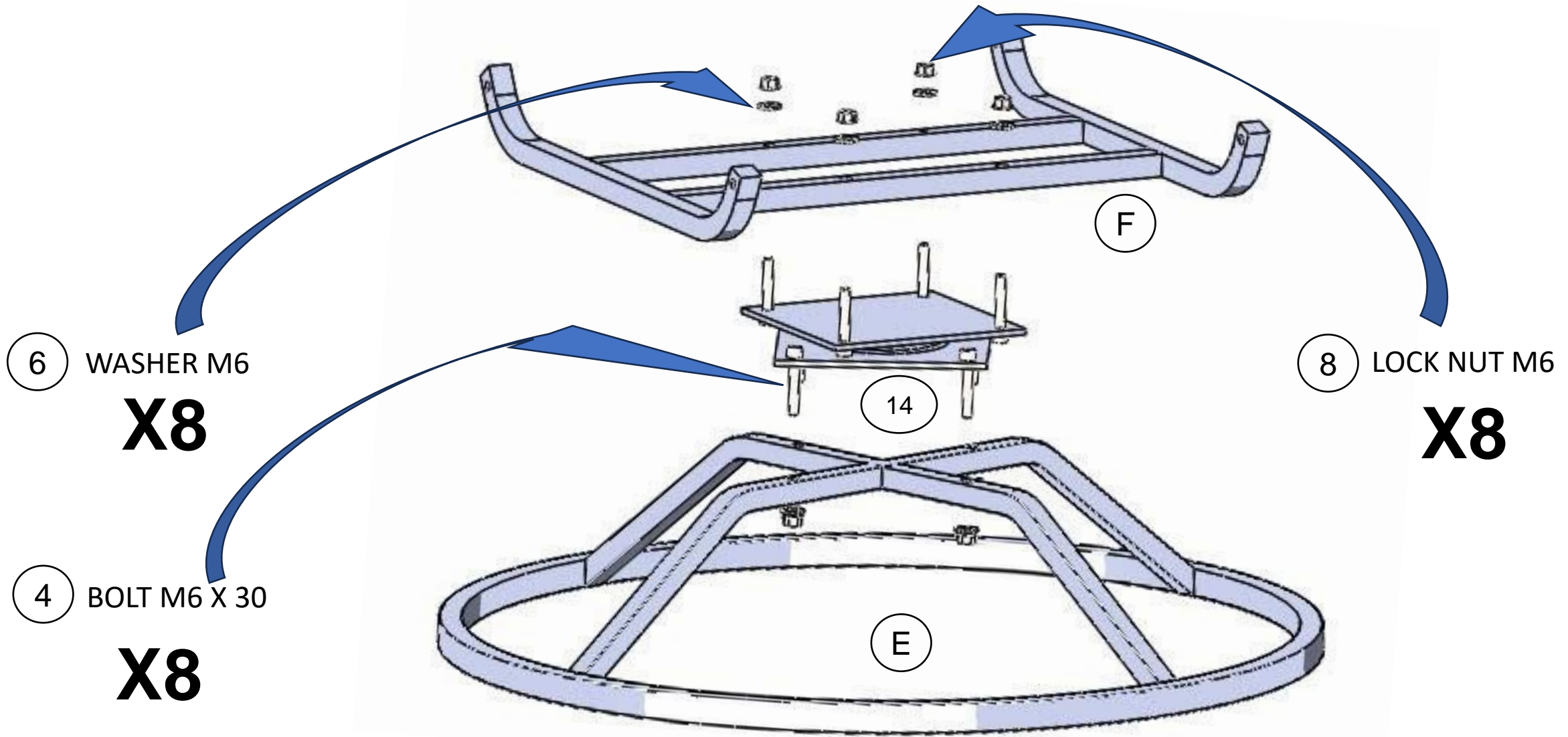
X10

6 WASHER M6

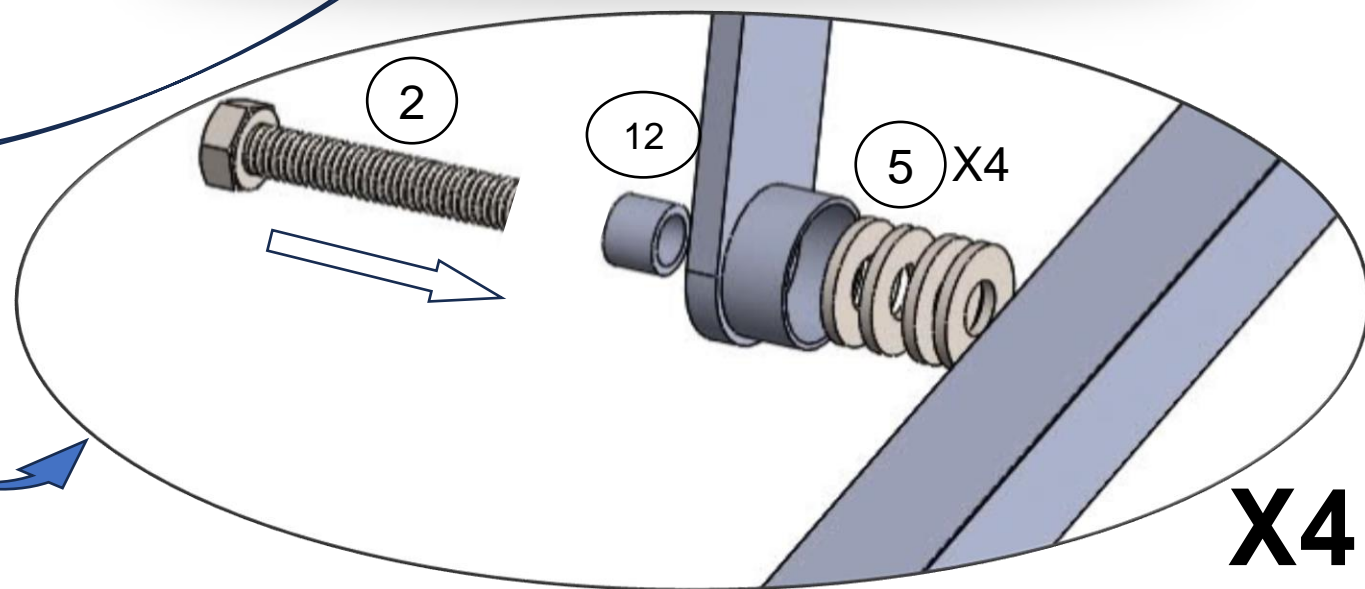
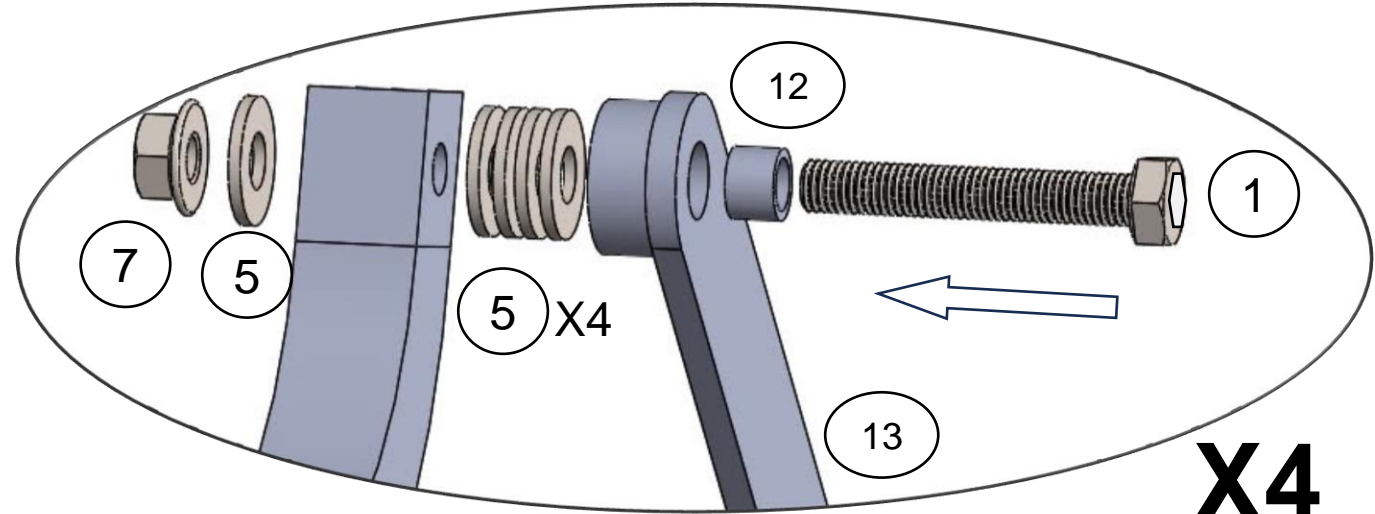
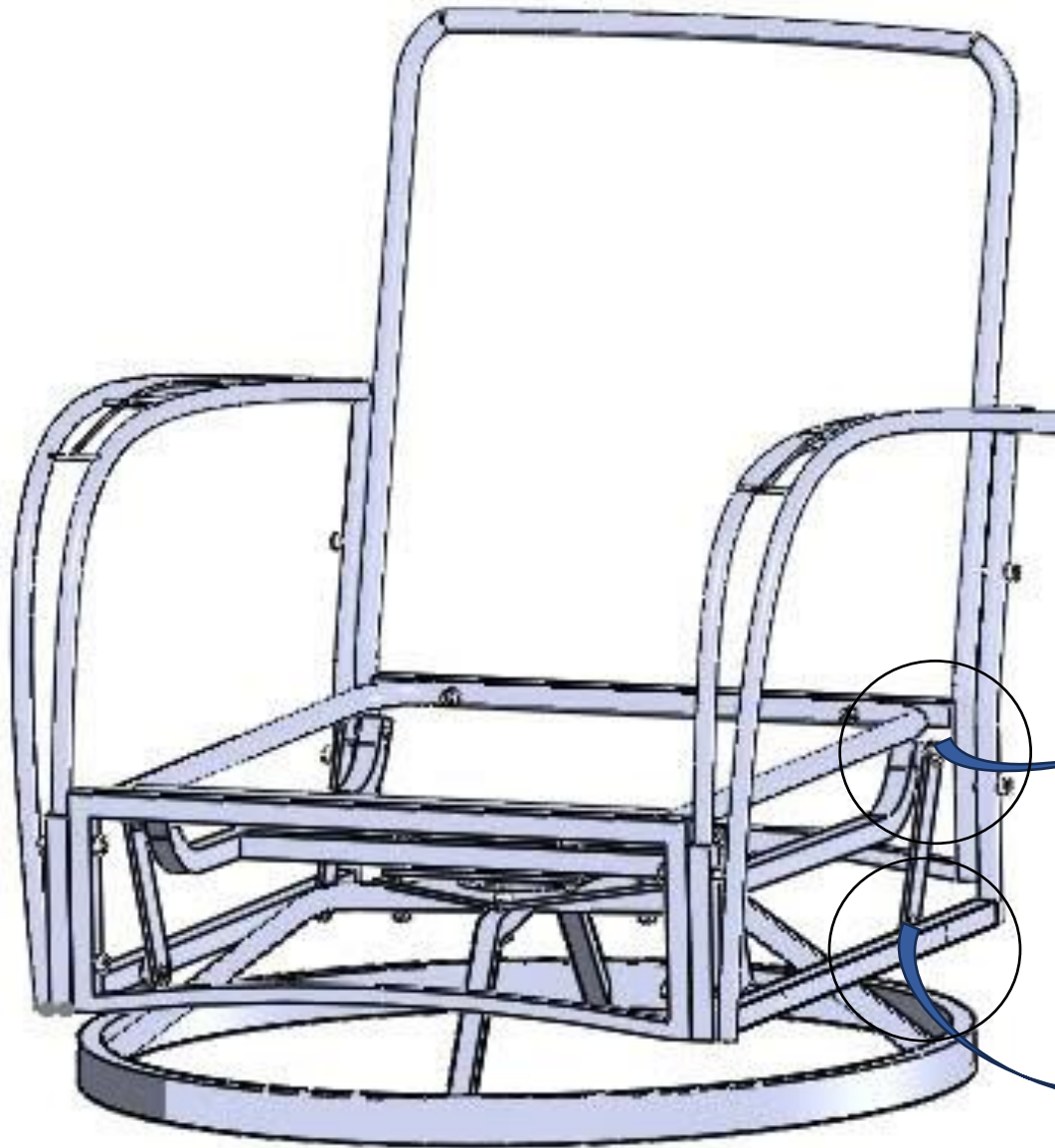
3 BOLT M6 X 40



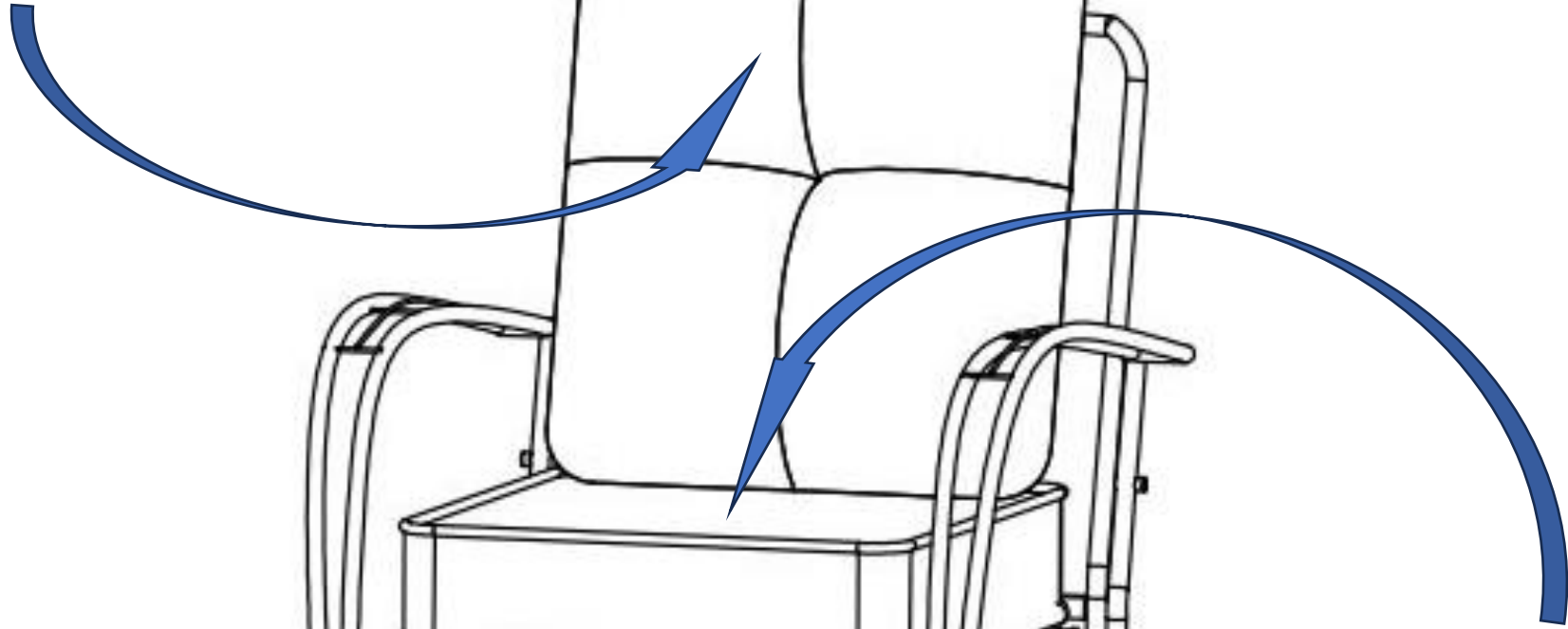
Assembly Instruction



Assembly Instruction



(H) X1 Backrest



(G) X1 Cushion