

ASSEMBLY INSTRUCTIONS

CHAIR

Approximate Assembly Time

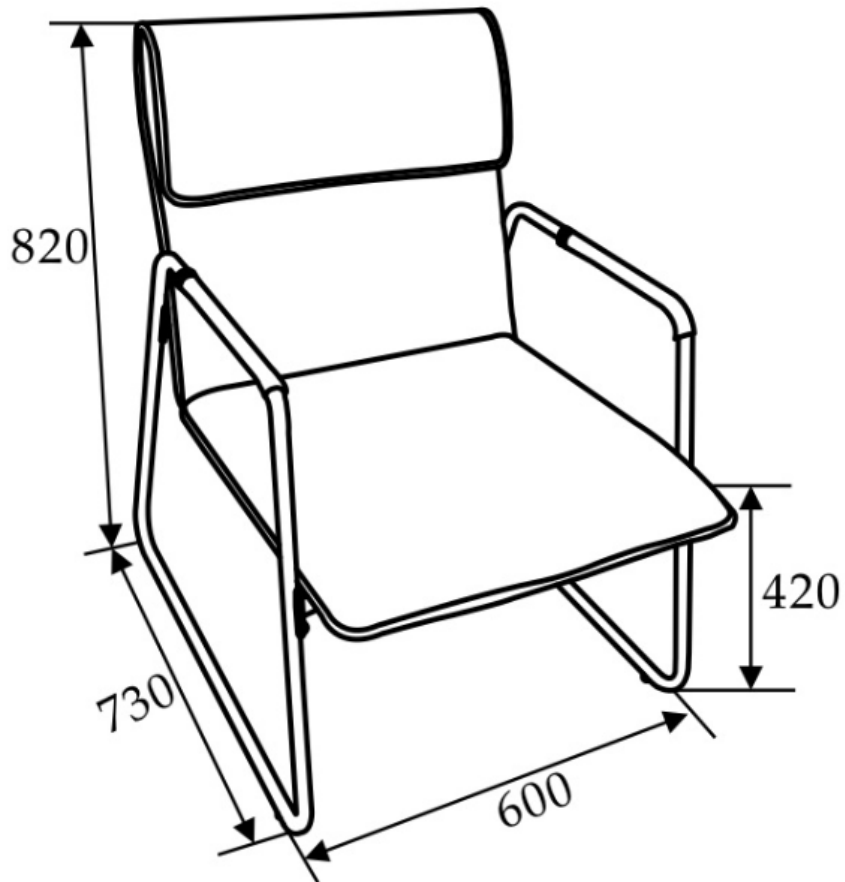


People Required to Assemble



Tools Required

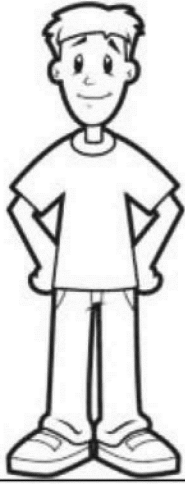
No Extra Tools Required



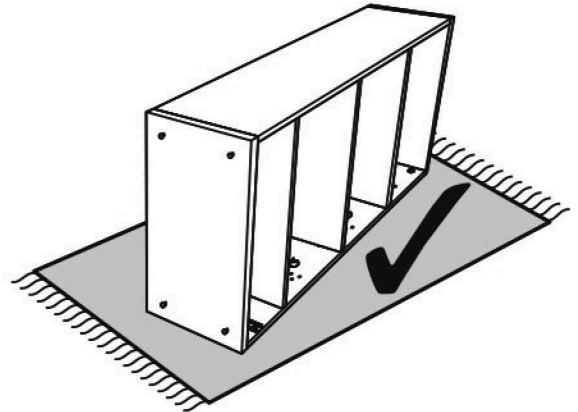
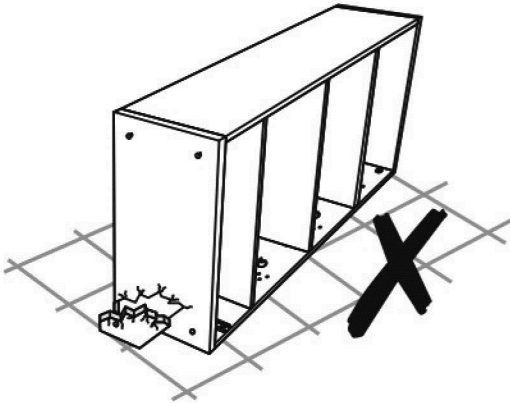
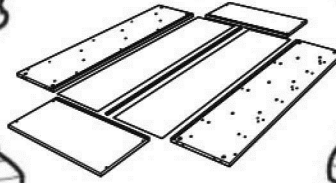
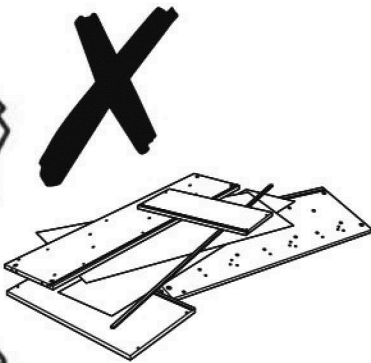
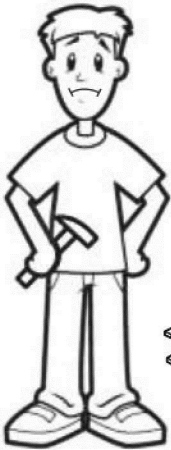
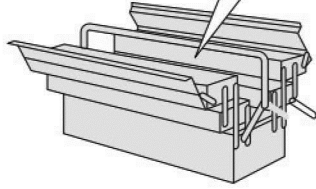
PLEASE READ CAREFULLY

Always read the instructions before you start to assemble the product. Please read the instructions carefully before you start to assemble the product. Please read the instructions carefully before you start to assemble the product.

Always read the instructions before you start to assemble the product. Please read the instructions carefully before you start to assemble the product. Please read the instructions carefully before you start to assemble the product.



No Extra
Tools Required



PLEASE READ THE INSTRUCTIONS CAREFULLY BEFORE USING THE PRODUCT. ALWAYS USE THE CORRECT TOOLS AND TECHNIQUES TO AVOID DAMAGE TO THE PRODUCT OR YOURSELF.



M6×14mm
8×



M6×25mm
4×



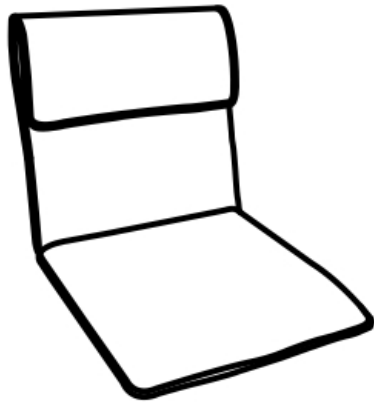
4mm
1×

We strongly advise that you do not use Power Tools, such as drills or electric screwdrivers during the assembly as this may cause irreparable damage and will invalidate your warranty.

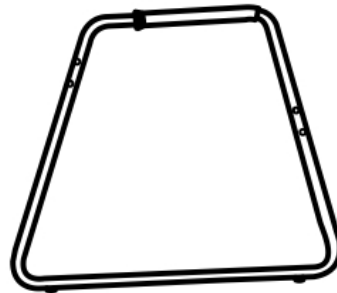


PARTS

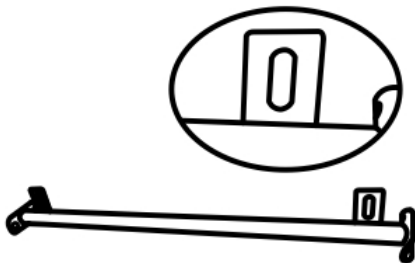
1



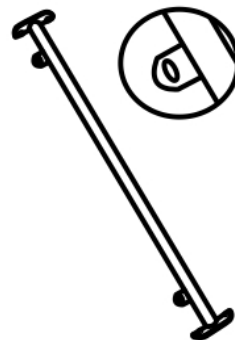
2



3



4



1	1x
2	2x
3	1x
4	1x

Please ensure you carefully check all the pieces attached to your bench and your workbench before you start to assemble. If you are unsure of any of the instructions, please refer to the user manual. If you have any questions, please contact our customer support team. We will be happy to help you with any questions you may have.

ASSEMBLY ADVICE

Please take the time to carefully read through these instructions before you commence.

Keep these instructions for future reference.

We advise that the product is assembled in the room it is intended for.

We advise that you keep the hardware in a bowl during assembly to avoid losing anything.

We strongly recommend that you keep children away from the work area.

Small component parts could choke a child if swallowed.

We recommend you use a sheet or blanket to protect both floor and product through the assembly stages.

Never push or pull the product as this could cause both personal injury or irreparable damage to product or floor.

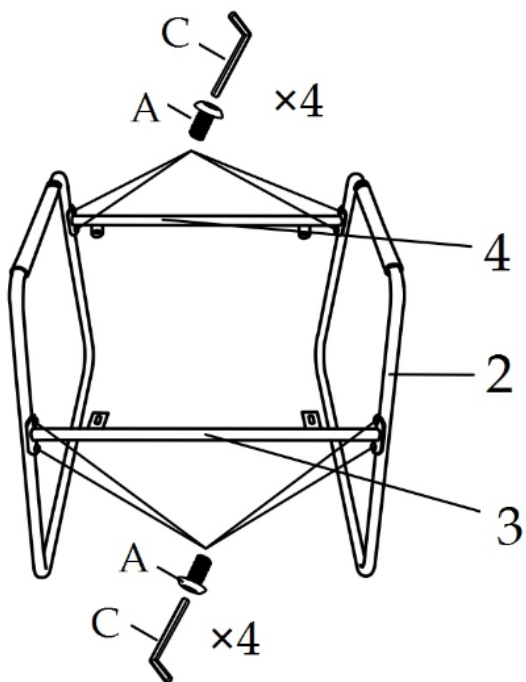
We have tried to make this piece of furniture easy to assemble if the instructions are followed carefully.

In the unlikely event that you have problems with assembling the product or have missing or damaged parts, please contact your retailer and we will assist them in rectifying the problem as quickly as possible.

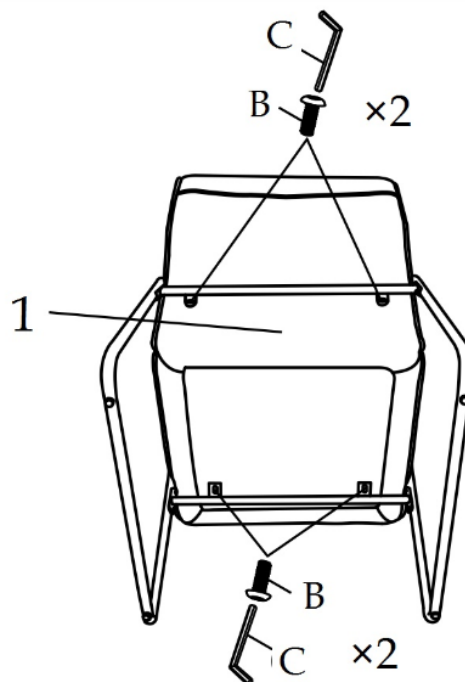
Remember we strongly urge you DO NOT use power tools such as drill or electric screwdrivers as this could cause irreparable damage to your product and will invalidate your warranty



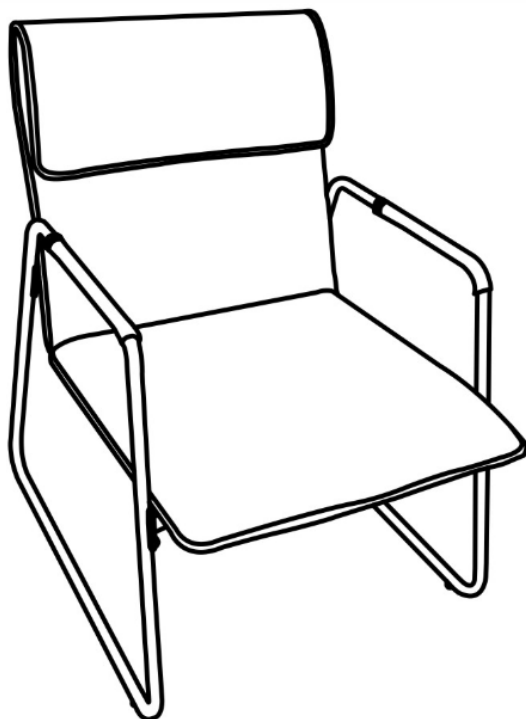
1



2



3



GENERAL CARE & MAINTENANCE

We advise that when cleaning the product that a damp cloth is used.

Avoid the use of all household cleaners and abrasive.

Never push or drag the furniture.

Never attempt to move the furniture when fully loaded.

We advise that periodically all fixings are re-tightened.