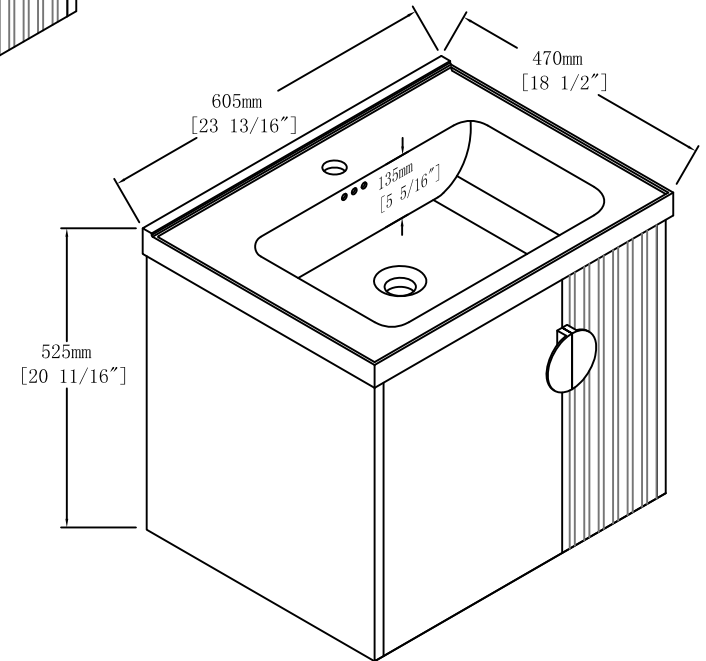


Back View



Item NO. BV B08124

Version V1

Project

Date 2023-11-6