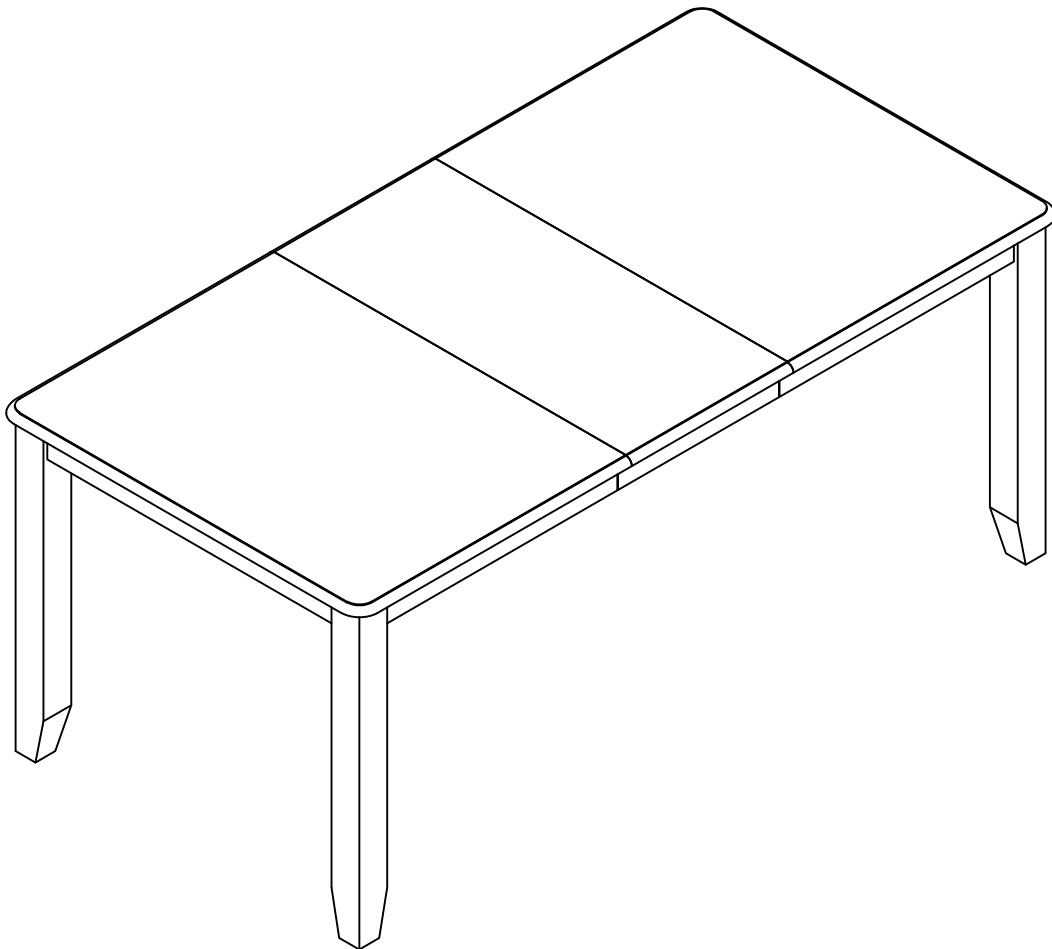


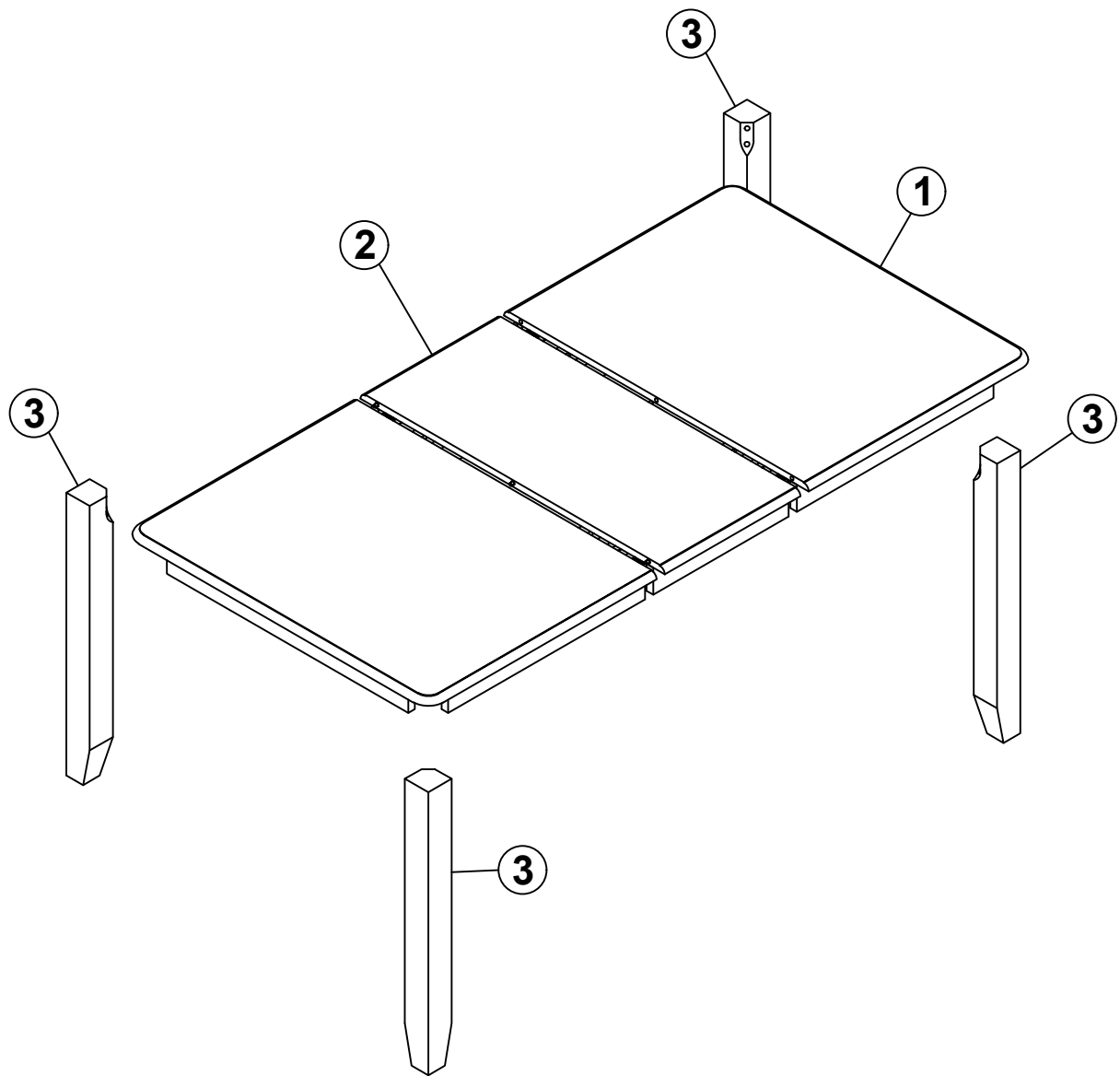
ASSEMBLY INSTRUCTIONS

DINING TABLE



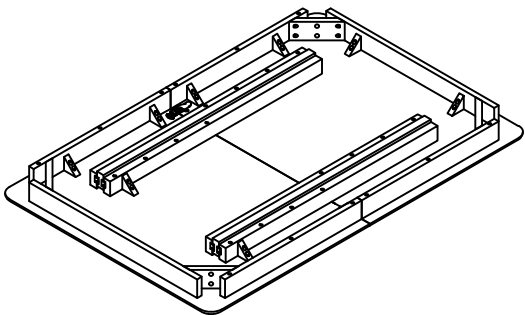
IMPORTANT NOTE :

- ① PLACE ALL PARTS ON A CLEAN AND SMOOTH SURFACE SUCH AS A RUG OR CARPET TO AVOID THE PARTS FROM BEING SCRATCHED.
- ② BEFORE YOU BEGIN , KINDLY FOLLOW THE ASSEMBLY INSTRUCTIONS STEP BY STEP.
- ③ DO NOT TIGHTEN ALL SCREWS AND BOLTS UNTIL THE TABLE IS FULLY SET-UP



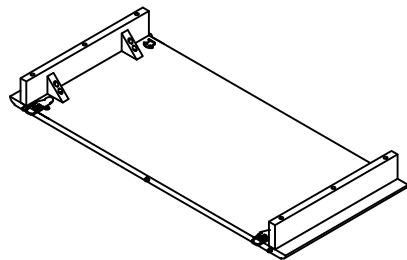
PART LIST

①



TOP TABLE (1pc)

②





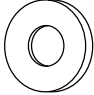
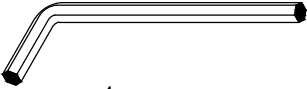
TOP MIDDLE TABLE (1pc)

③

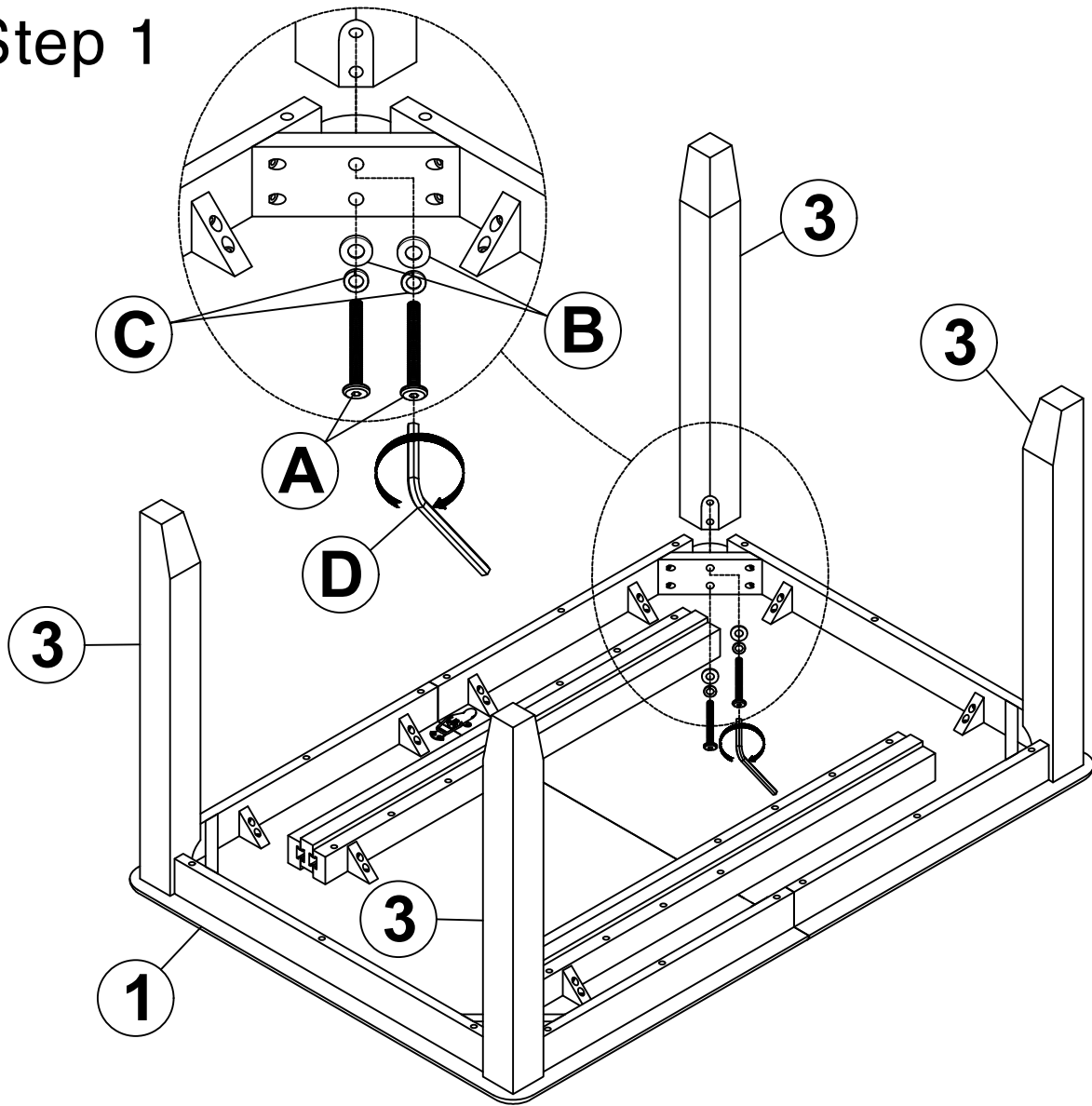






LEGS TABLE (4pcs)

HARDWARE LIST

A  Ø5/16" x 70mm BOLT (8pcs)	C  Ø5/16" x 13mm SPRING WASHER (8pcs)
B  Ø5/16" x 19mm FLAT WASHER (8pcs)	D  4mm ALLENKEY (1pc)

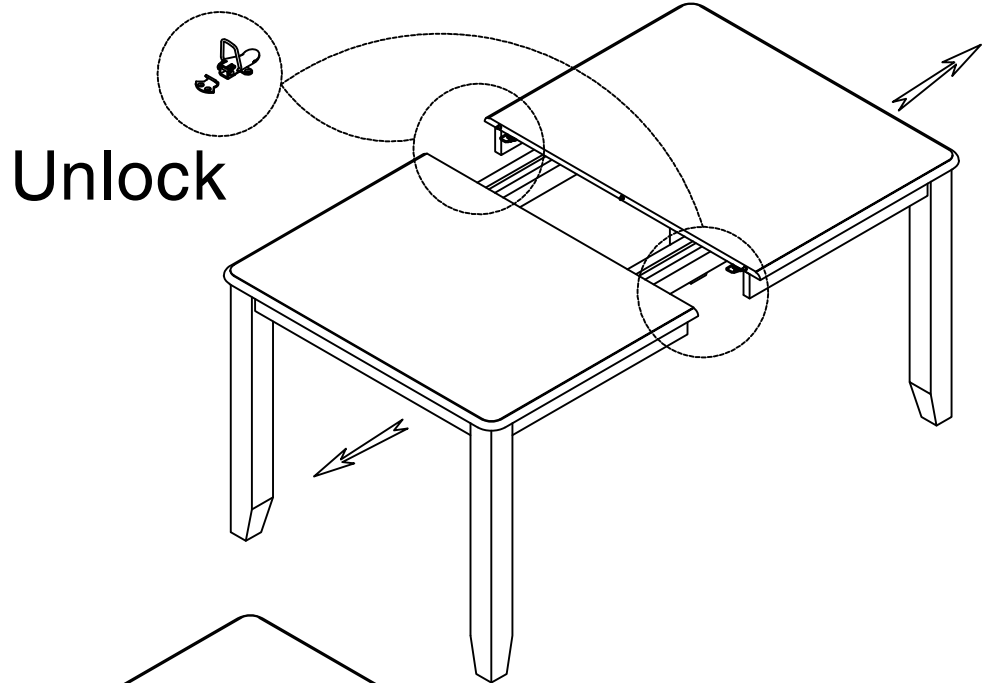
Step 1



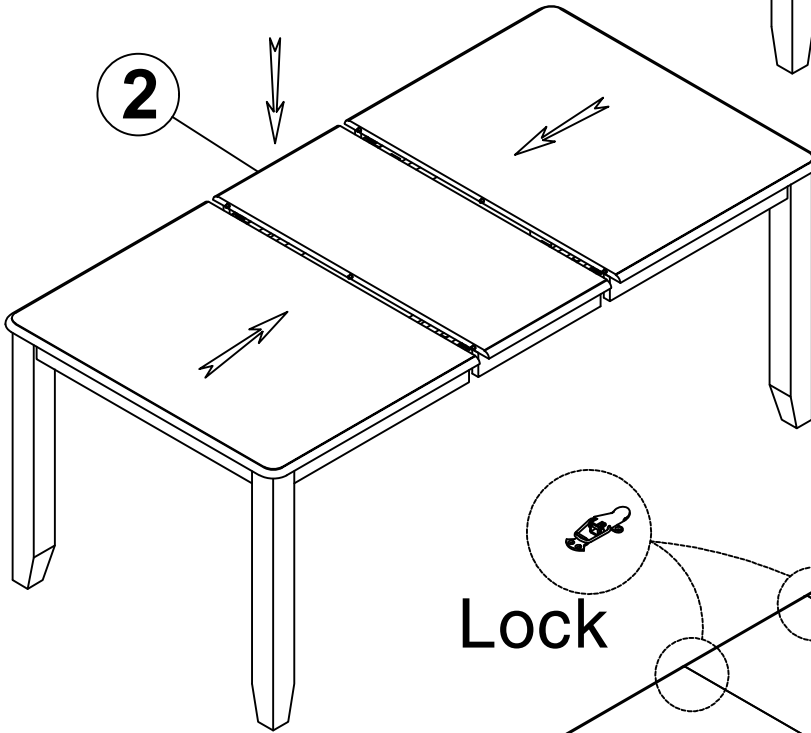
A	5/16x70		8PCS	C	5/16x13		8PCS
B	5/16x19		8PCS	D	4x58		1PC

ASSEMBLY INSTRUCTIONS

Step 2



Step 3



Step 4

