

Introduction:

To ensure smooth, safe installation and prolong the product's service life, please read this manual carefully before starting assembly and follow the instructions strictly.

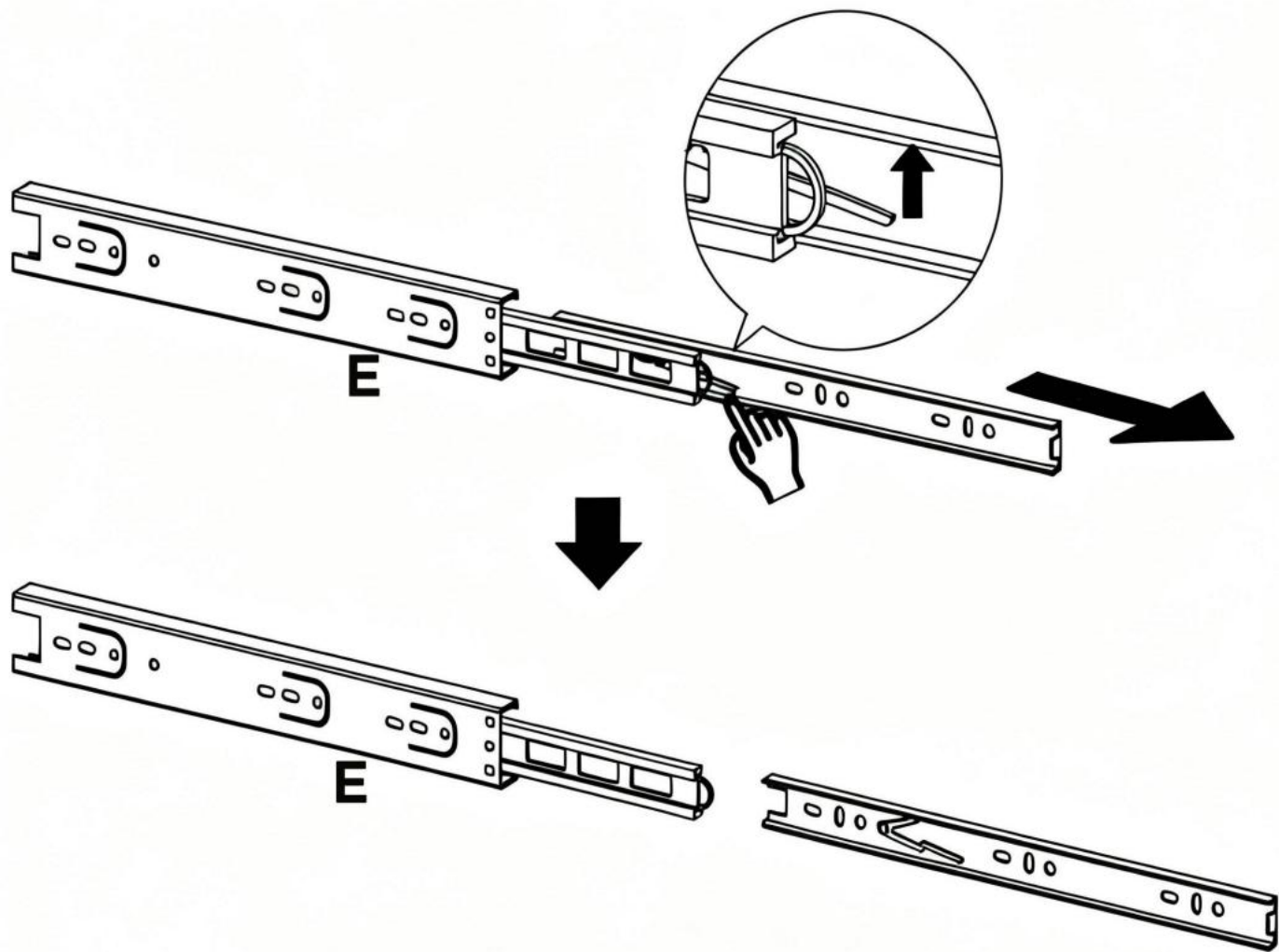
We recommend keeping this manual for future disassembly, reassembly, or maintenance reference.

Assembly Preparation :

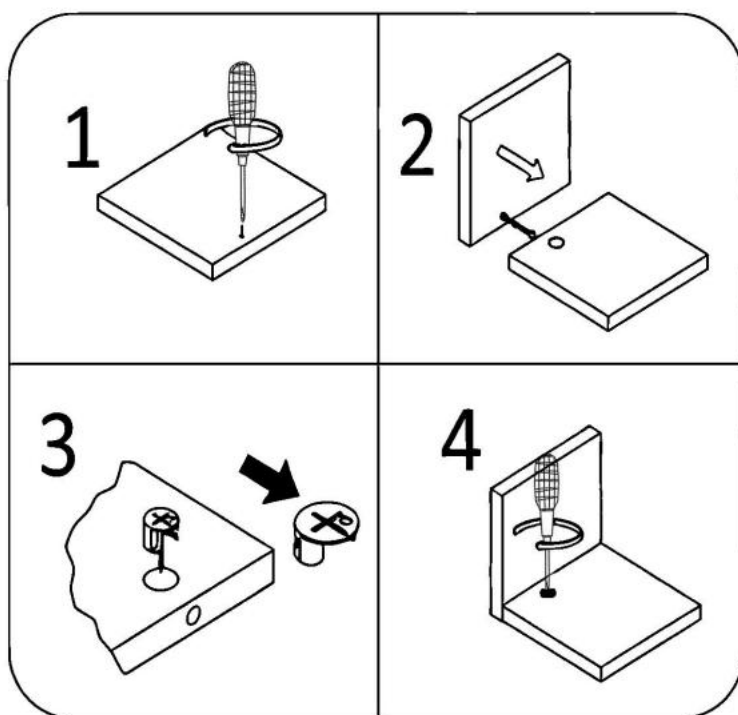
1. **Check Accessories:** After opening the package, please verify all panels, screws, connectors, and other parts against the included parts list one by one.
2. **Installation Environment:** Choose a flat and well-lit area. Perform assembly on a soft surface (such as carpet, foam mat) to prevent scratching the floor or product surfaces.

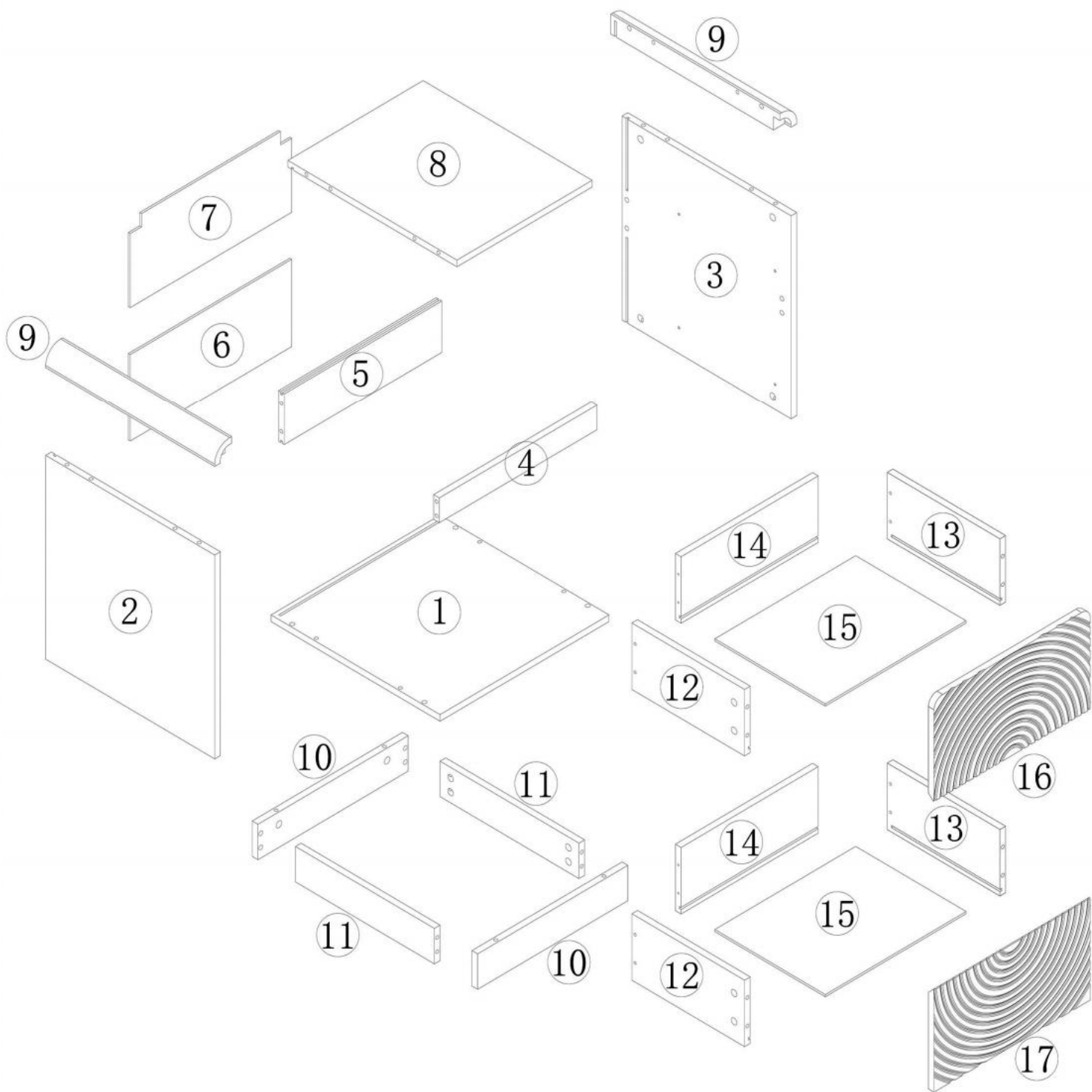
Safety Precautions:

1. Keep all assembly parts (especially screws and small fittings) out of reach of children to prevent accidental swallowing or injury.
2. The product is not stable until fully assembled. Do not move or tilt it during the assembly process.
3. In each step, first loosely hand-tighten all screws (do not fully tighten them), then confirm that all panels are properly aligned before evenly tightening the screws one by one.
4. When using a screwdriver or power drill, operate at low speed and with light force. Insert screws vertically. Do not over-tighten to avoid damaging screw holes or panels.



Cam Lock Fastening Instruction





A*40



B*40



C*12



φ8*30

D*32



φ3*14

E*4



300

F*8



φ3*40

G*1













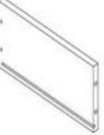






H*8

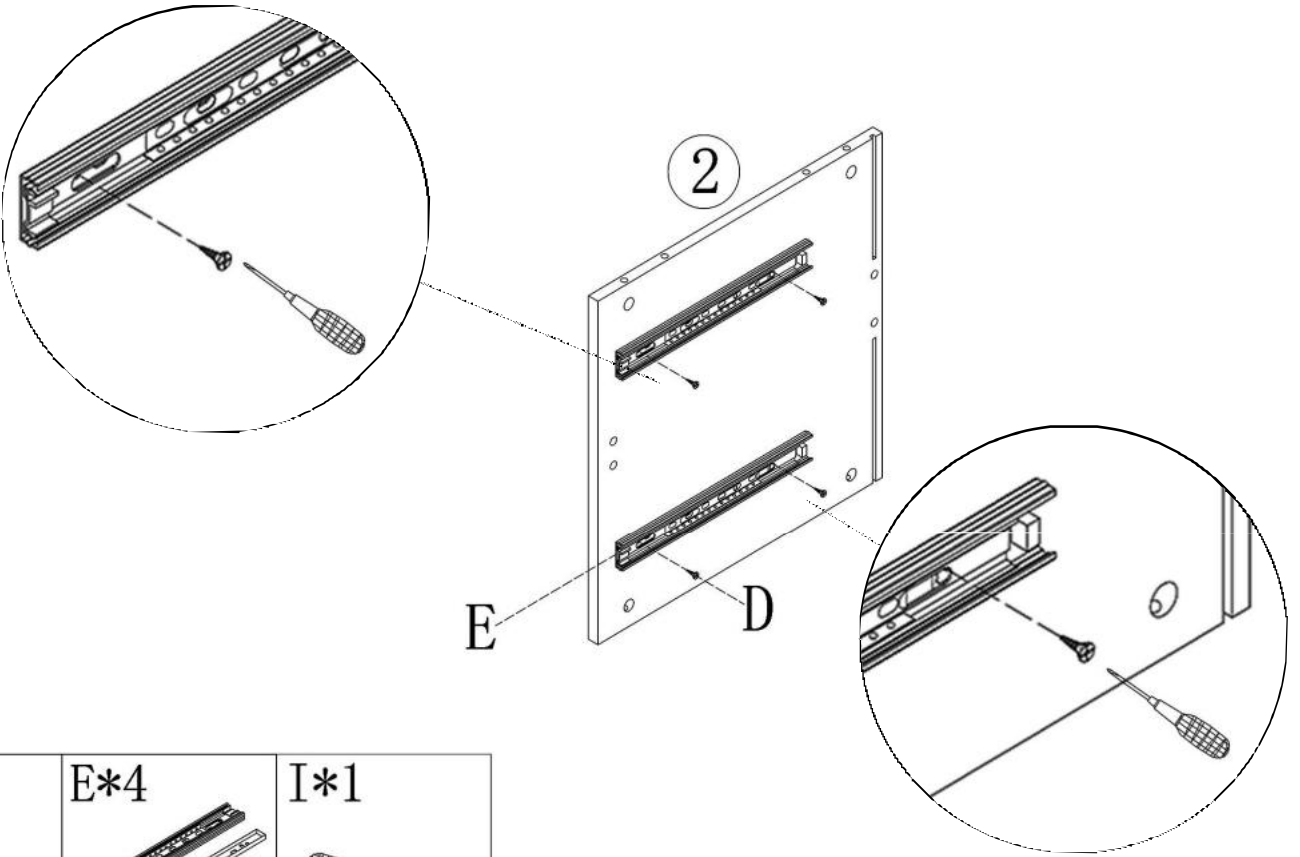


I*1



①		1	②		1	③		1	④		1
⑤		1	⑥		1	⑦		1	⑧		1
⑨		2	⑩		2	⑪		2	⑫		2
⑬		2	⑭		2	⑮		2	⑯		1
⑰		1	⑱		2	⑲		2	⑳		2
㉑		2	㉒		2	㉓		2			

1



D*32



∅3*14

E*4

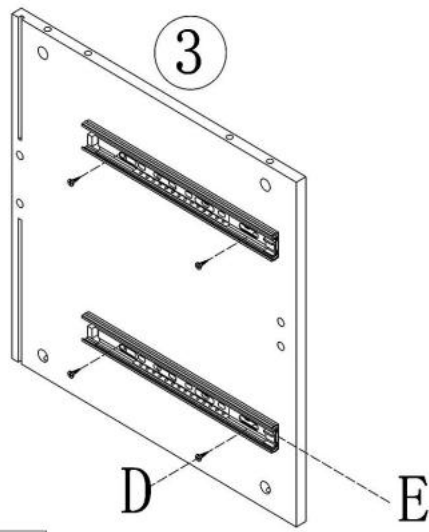


300

I*1



2



D*32



∅3*14

E*4

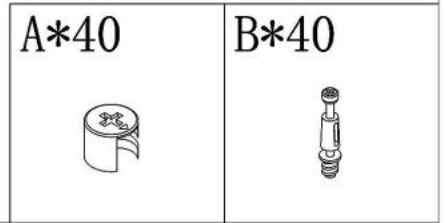
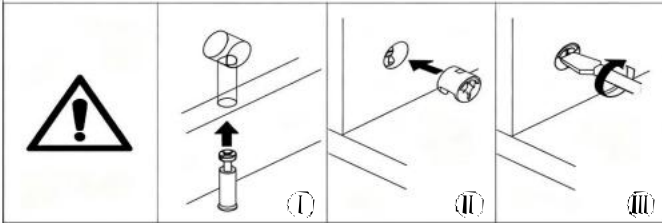
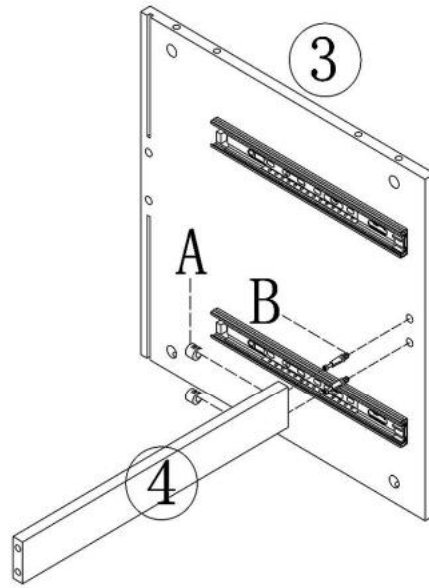


300

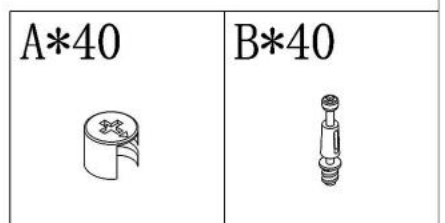
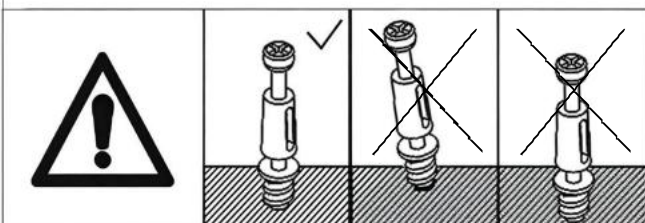
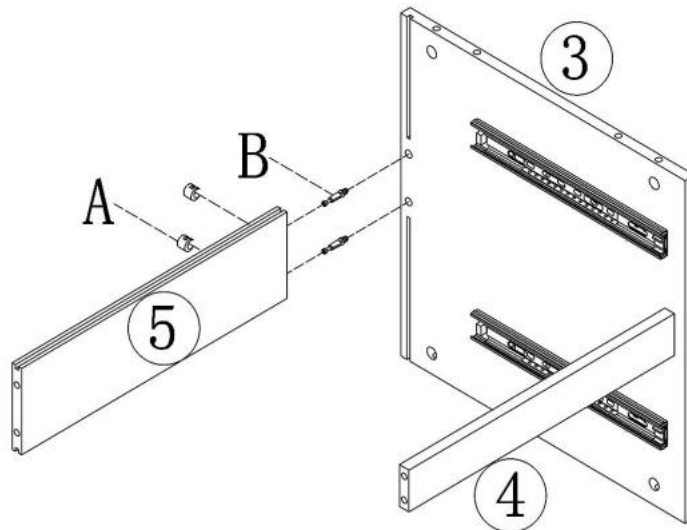
I*1



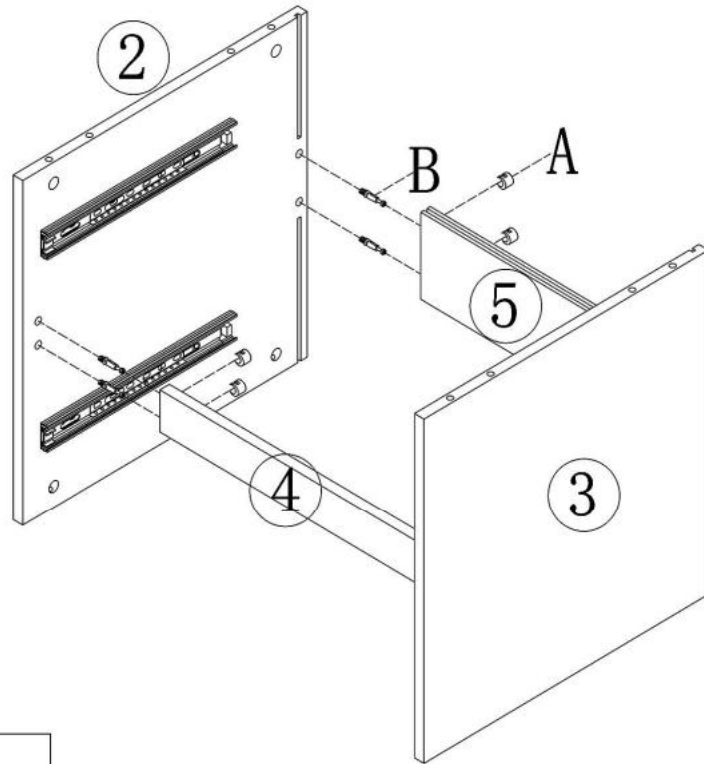
3



4



5



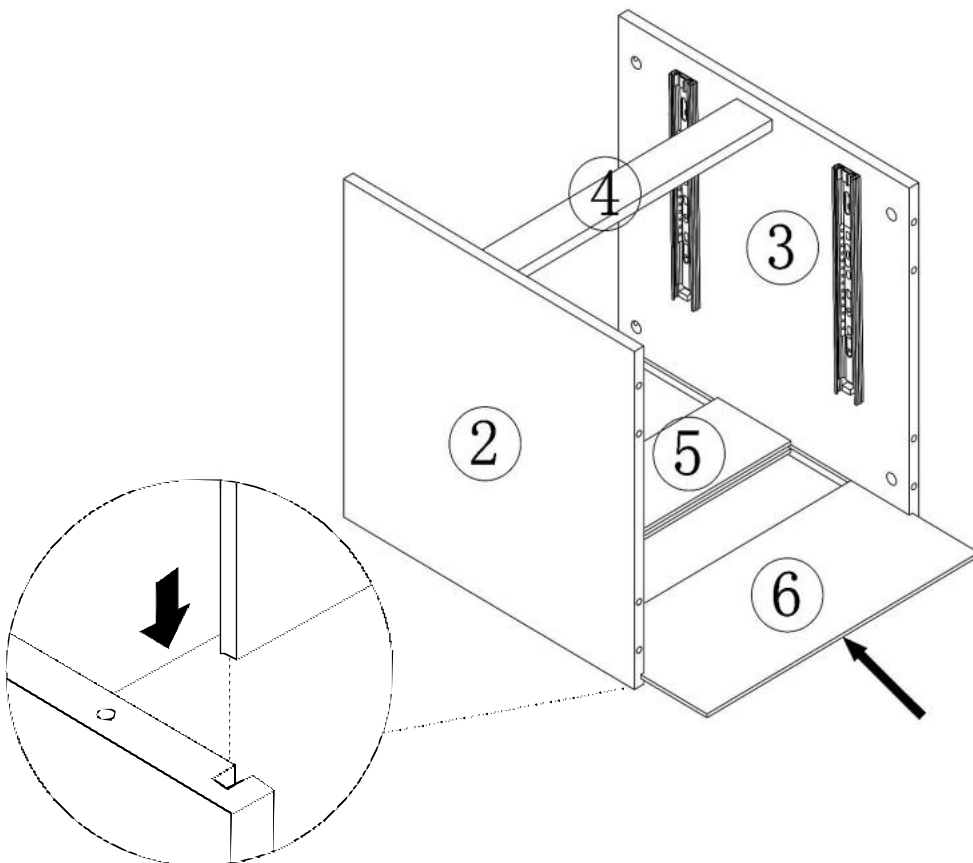
A*40



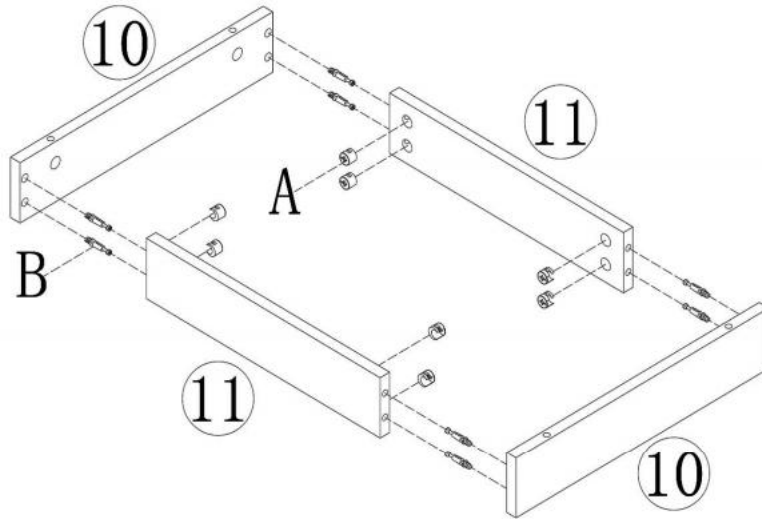
B*40





6

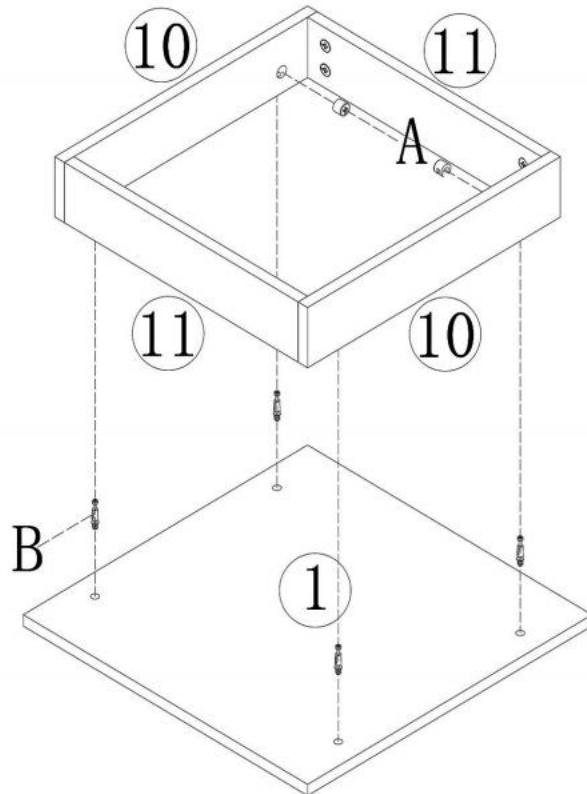




7



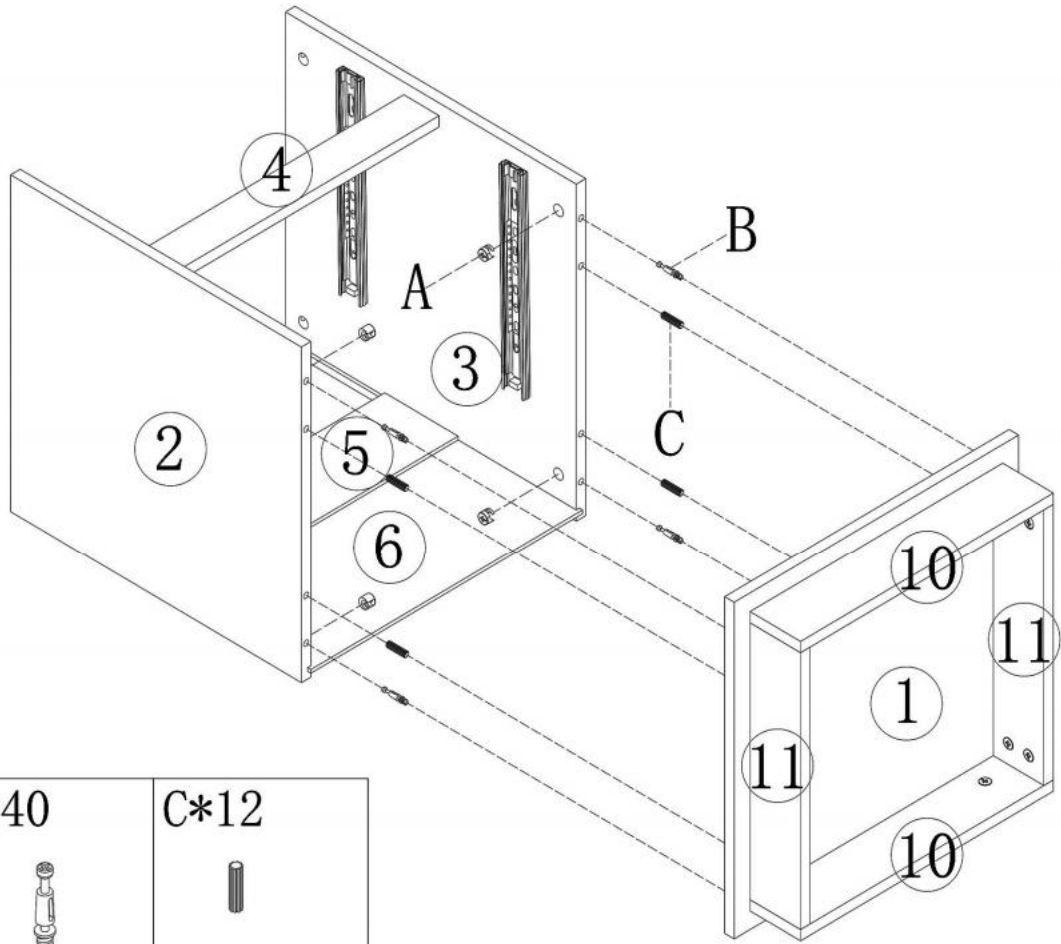
A*40	B*40
	

8



A*40	B*40
	

9



A*40



B*40

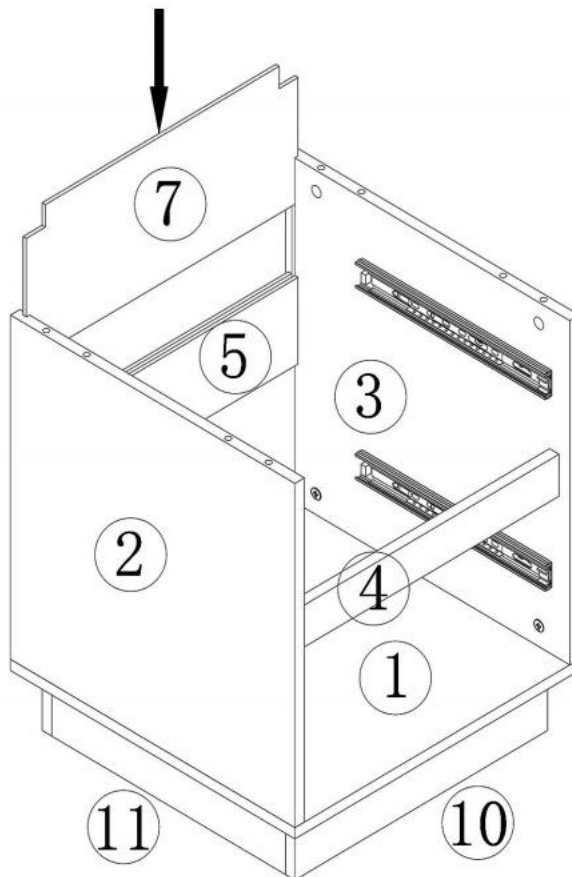


C*12

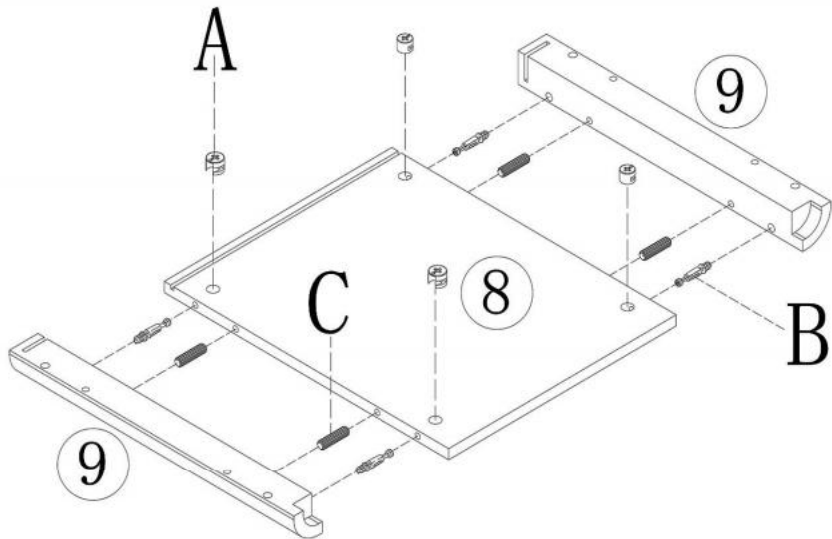


∅8*30

10



11



A*40



B*40

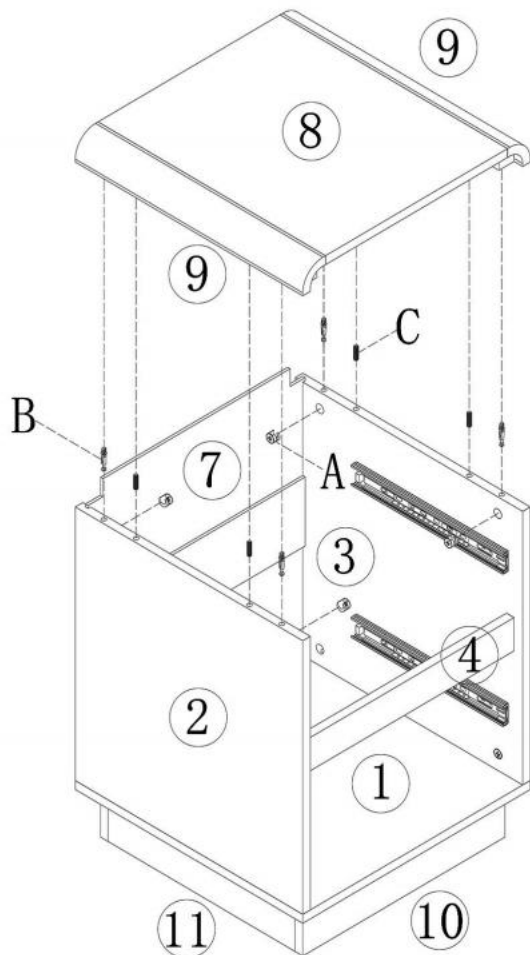


C*12



ø8*30

12



A*40



B*40

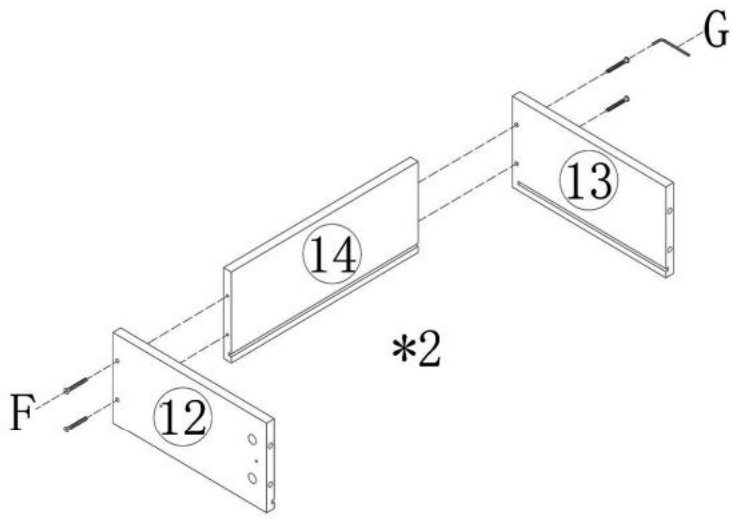


C*12



ø8*30

13



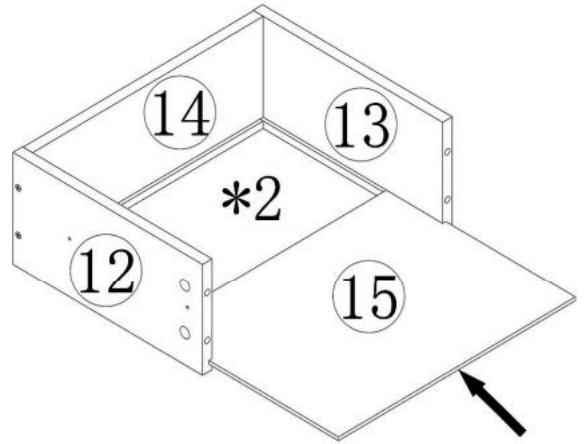
F*8

G*1



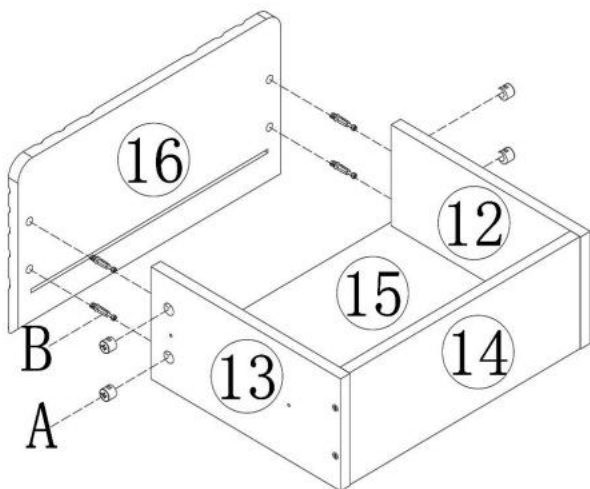
∅3*40

14



Repeat steps 13-14 above to install the second drawer.

15

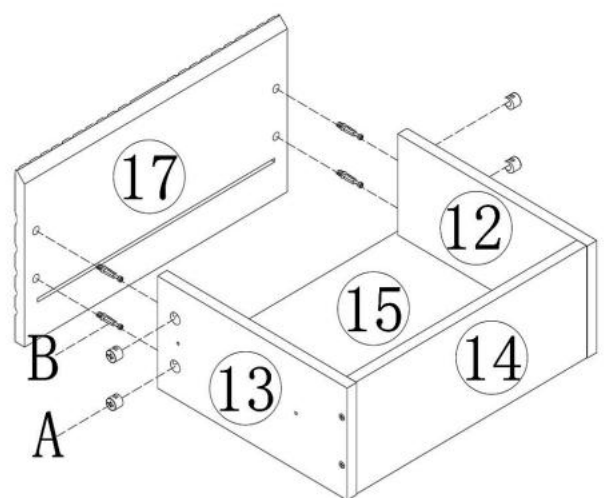


A*40

B*40



16

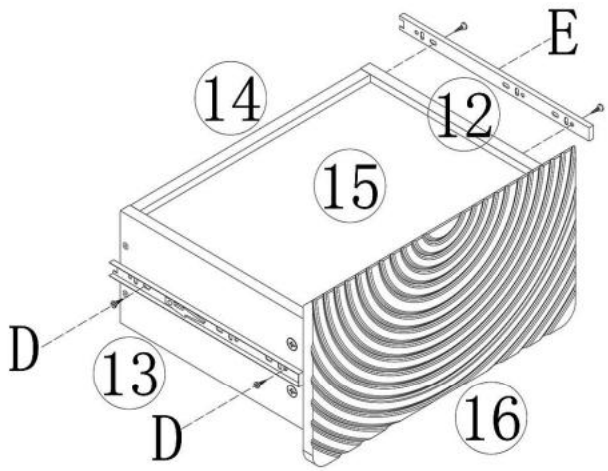


A*40

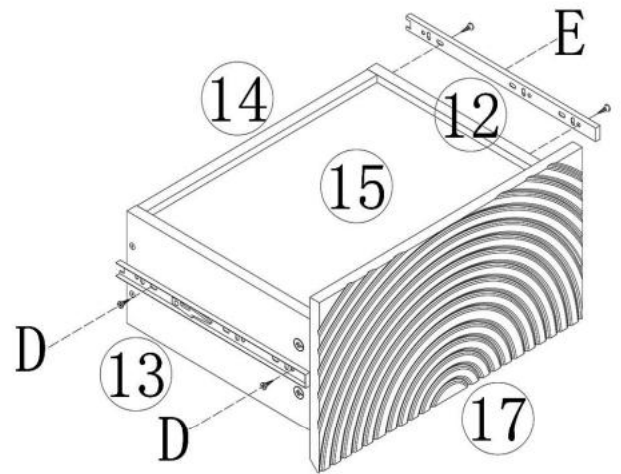
B*40



17



18



E*4



300

D*32



∅3*14

E*4



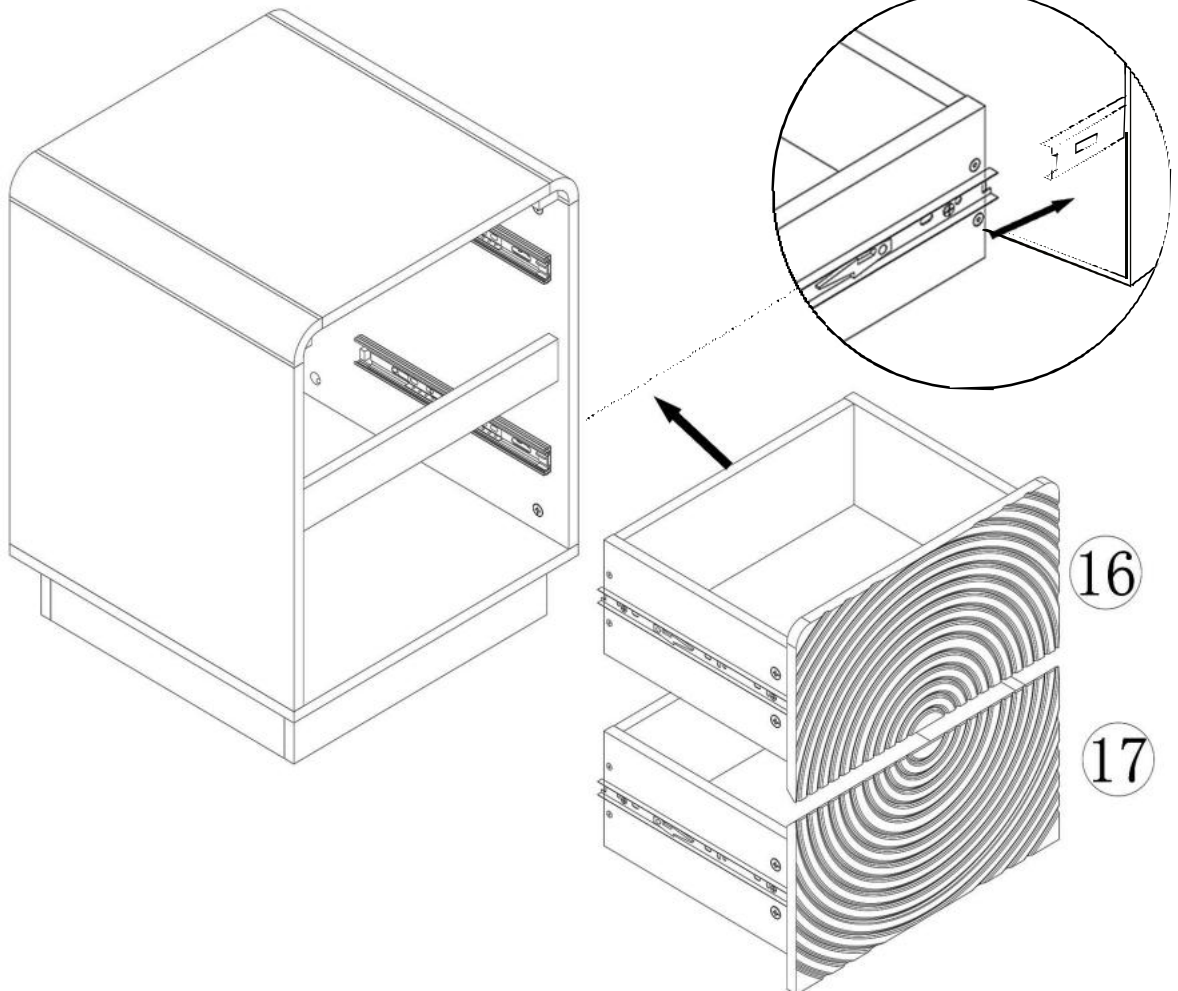
300

D*32

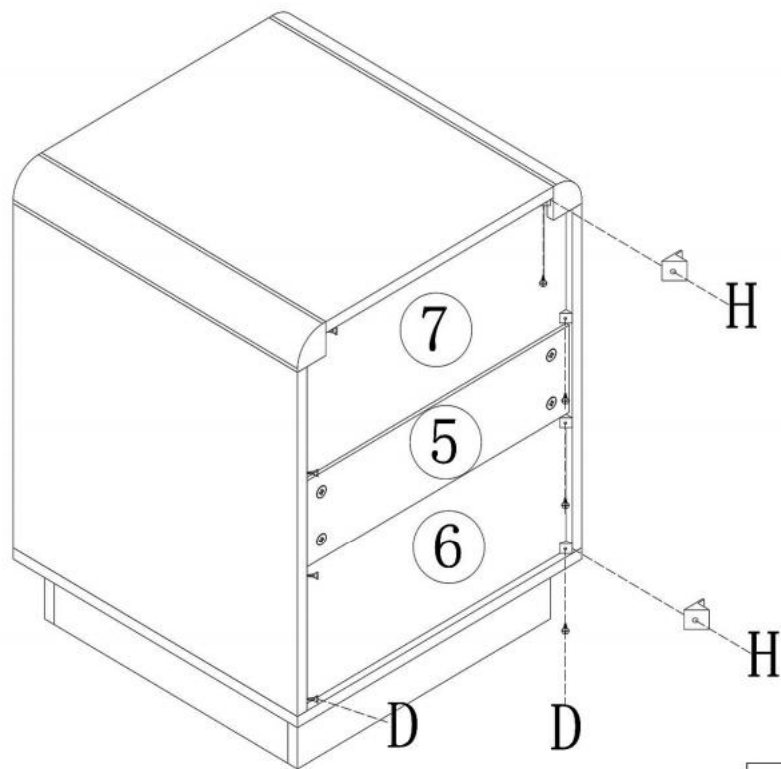




∅3*14

19



20



D*32	H*8
	
φ3*14	

21

