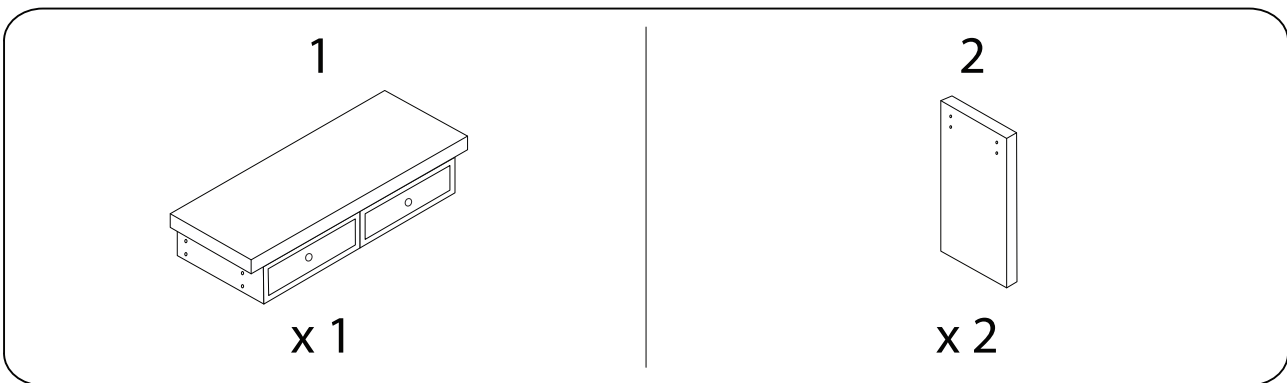
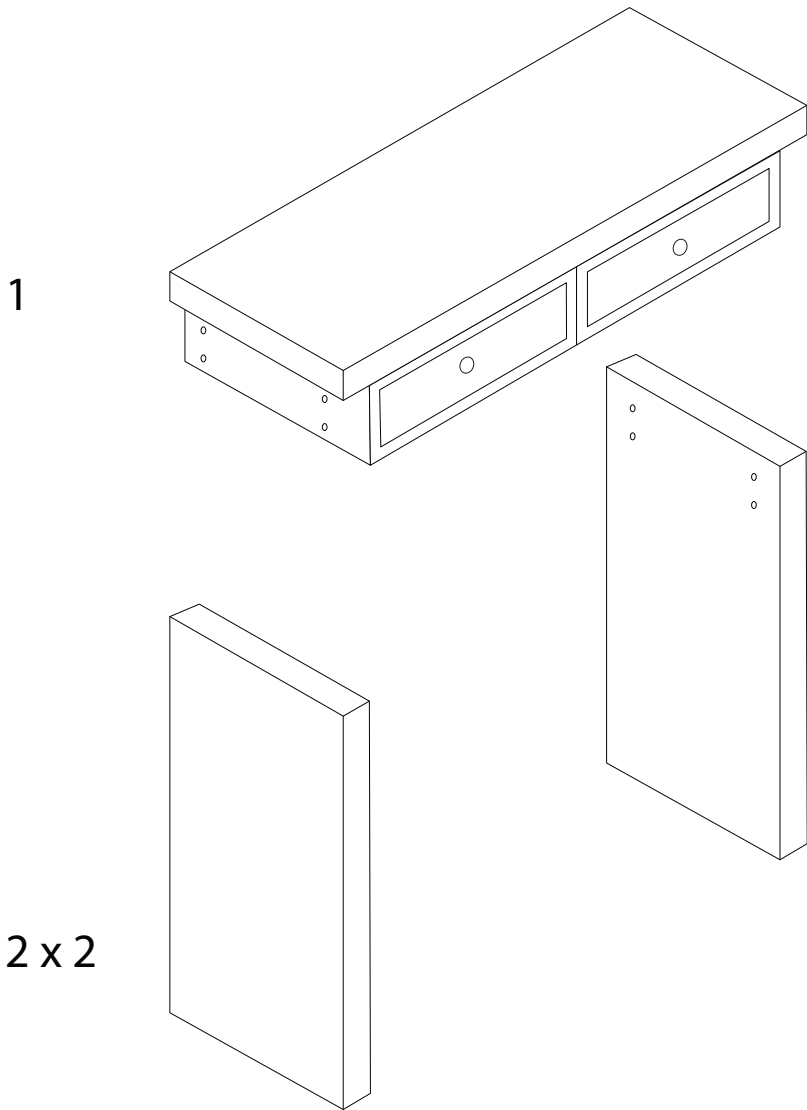
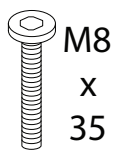


Assembly instructions for step 1/4:

- Tools: A screwdriver and an Allen key are shown in a circle. A power drill is shown with a diagonal line through it, indicating it should not be used.
- Warning: A triangle with an exclamation mark points to the tool instructions.
- Time: A clock icon is shown with the text "30'" below it, indicating a 30-minute assembly time.
- Personnel: A stick figure icon is shown with the number "1" below it, indicating that one person is required for assembly.
- Warning: A second triangle with an exclamation mark points to the personnel icon.

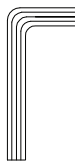


A



x 8

B



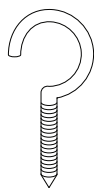
x 1

C



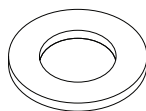
x 1

D



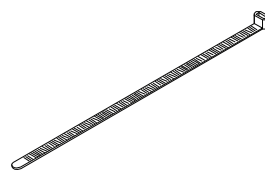
x 1

E



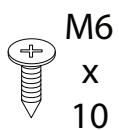
x 8

F



x 1

G



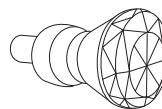
x 2

H



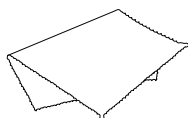
x 2

I



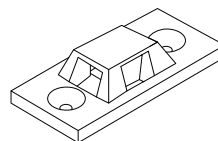
x 2

J



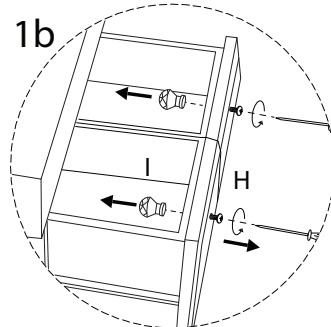
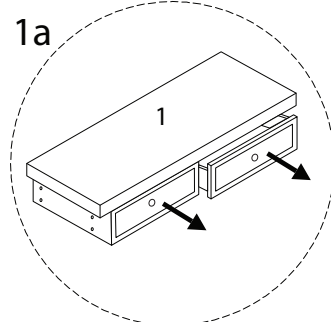
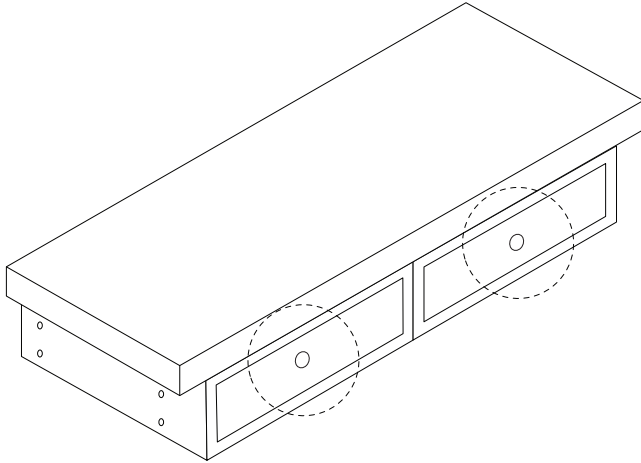
x 1

K

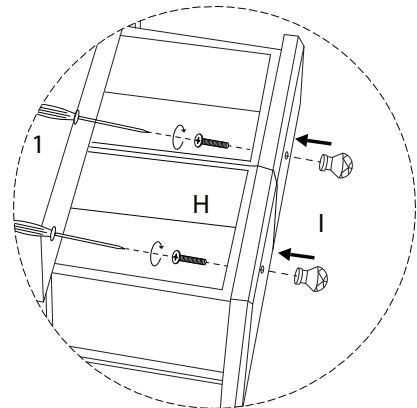
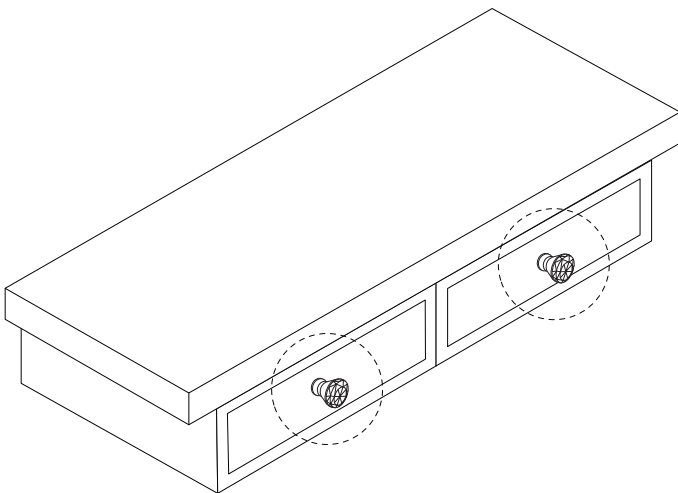
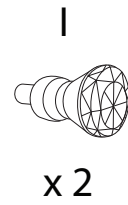
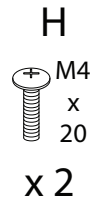
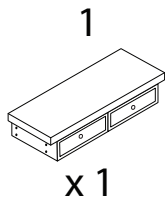


x 1

!

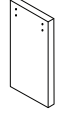


1



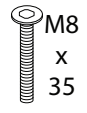
2

2



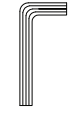
x 2

A



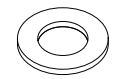
x 8

B

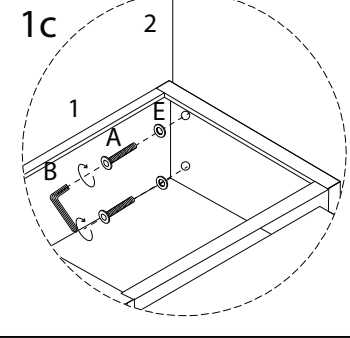
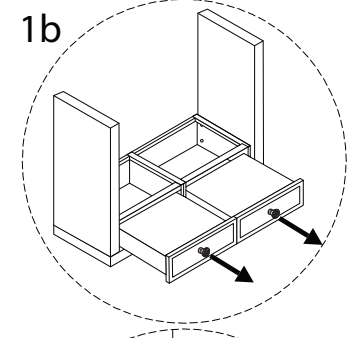
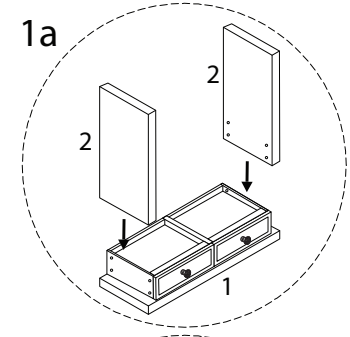
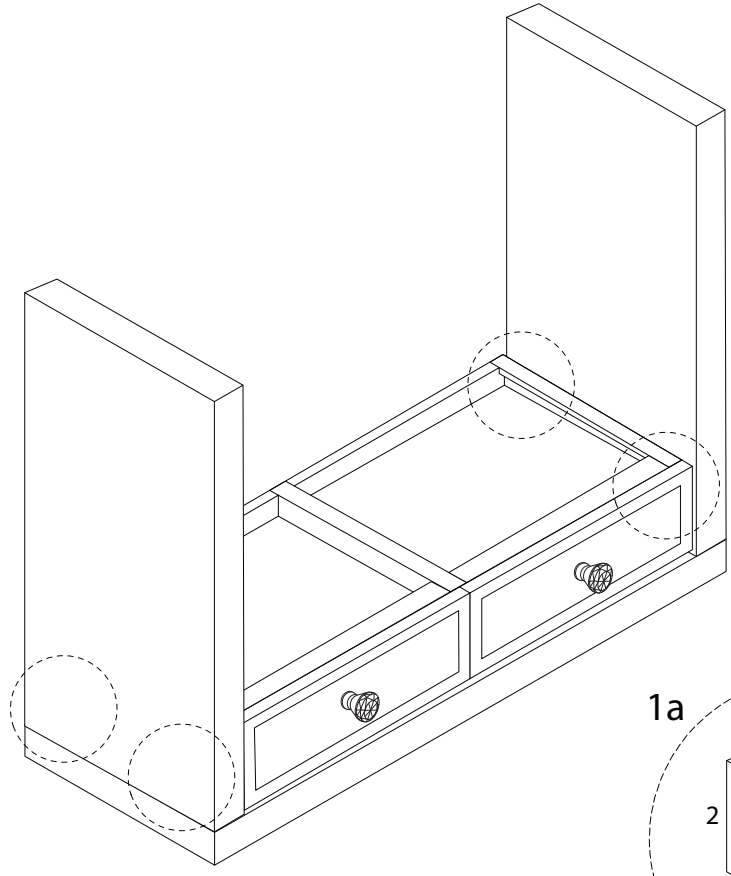


x 1

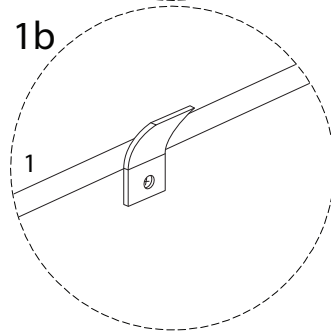
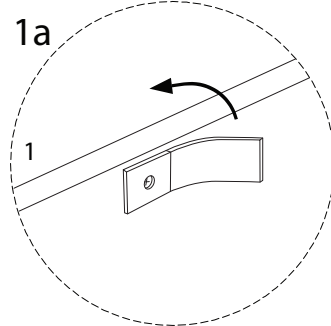
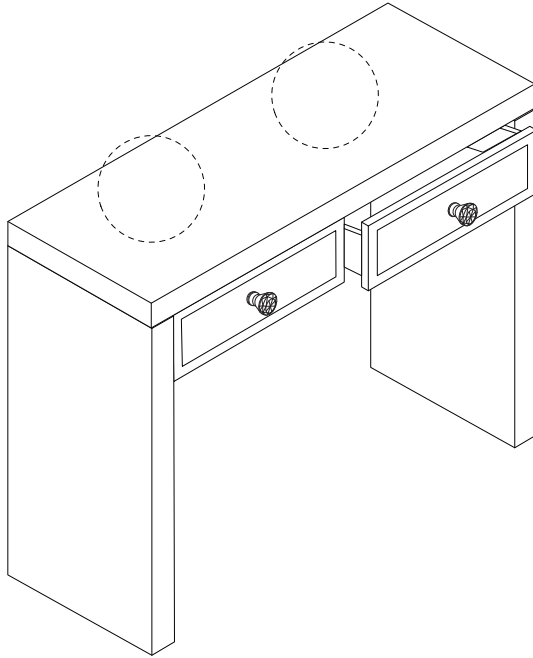
E



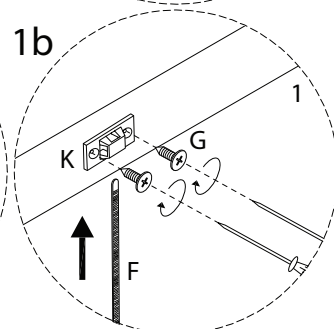
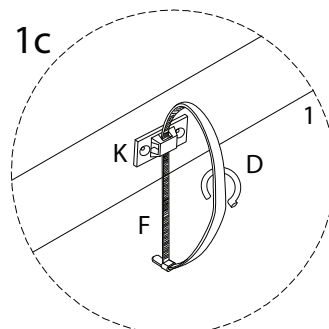
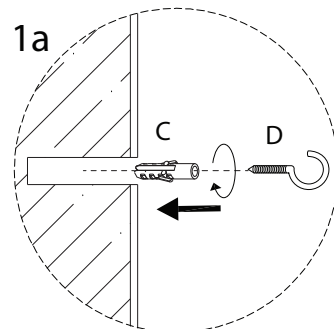
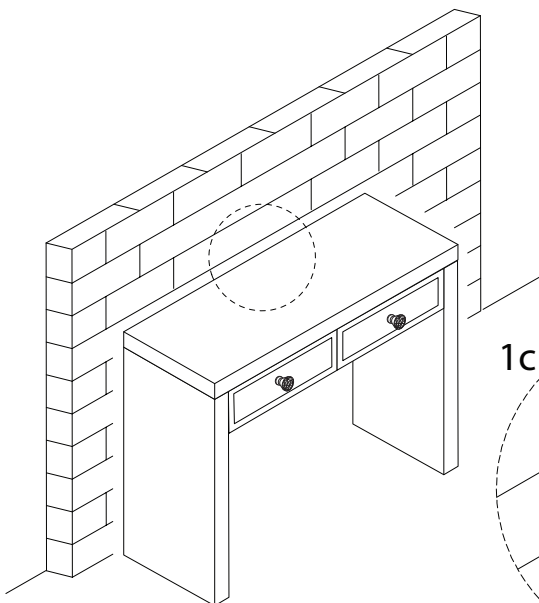
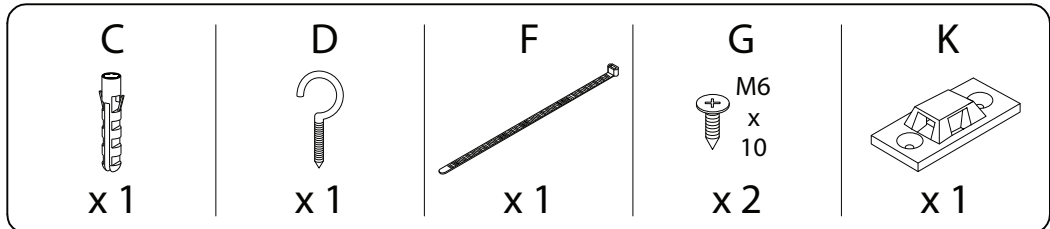
x 8



3

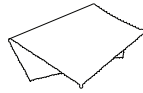


4



5

J



x1

