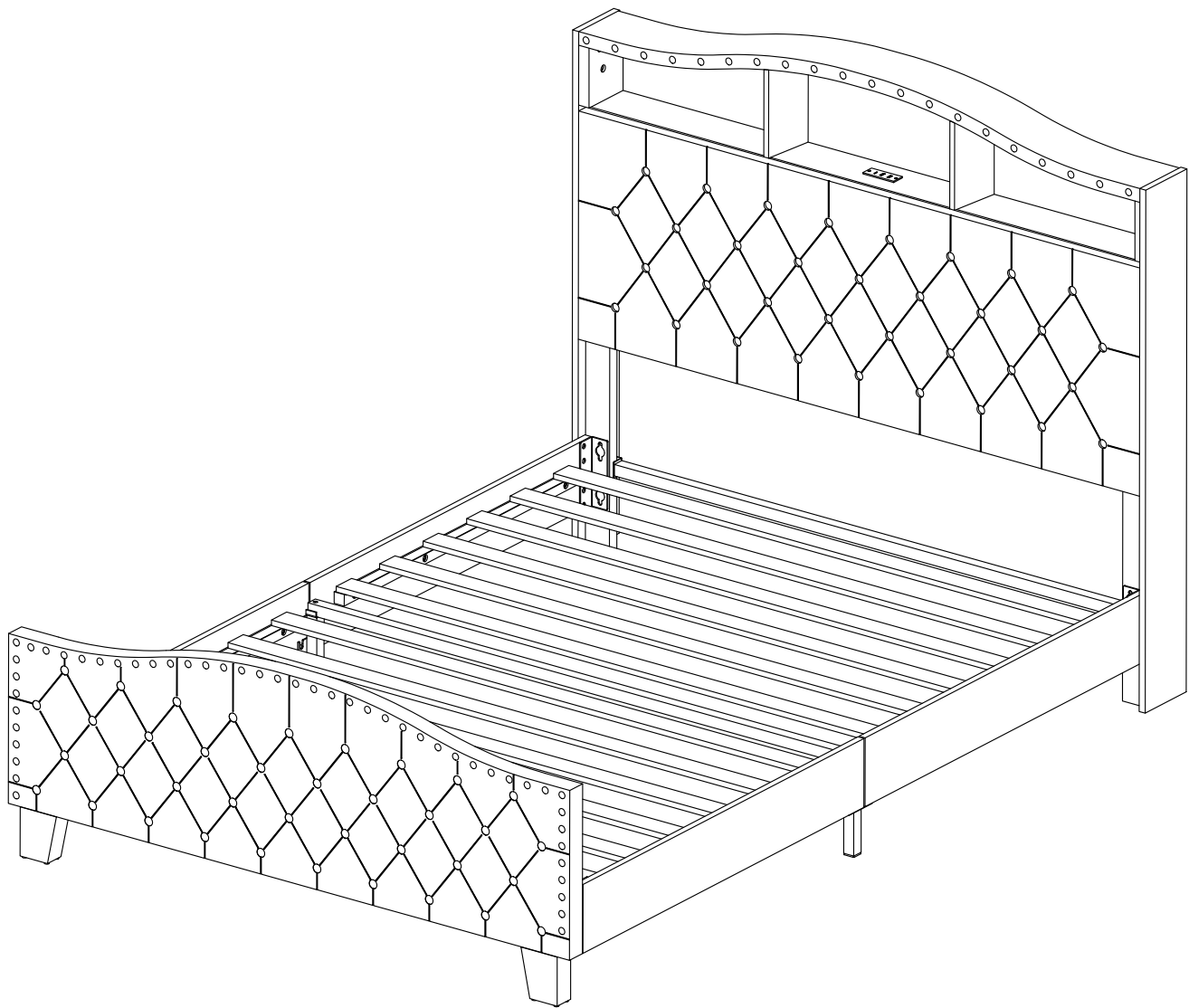


ASSEMBLY INSTRUCTIONS

Item Number: N604P433669



**UK
CA**



English

IMPORTANT ! KEEP FOR FUTURE REFERENCE : READ CAREFULLY

- To be assembled by an adult. Assembly must be checked by an adult before use
- WARNING ! Keep all screws, small parts and plastic bags out of the reach of children
- Properly identify all parts before assembling
- Never use your item if any of its parts are broken or missing
- Should any problems arise, please contact our After Sales Service
- Manufacturer's instructions shall be followed at all times
- Care: Clean with a soft, dry cloth. In case of larger stains, carefully rub with a slightly damp, non-abrasive sponge
- Avoid the risk of fire by not placing furniture near sources of ignition or hot items
- Do not jump on the bed

Deutsch

WICHTIG ! ZUM SPÄTEREN NACHSCHLAGEN AUFBEWAHREN: SORGFÄLTIG LESEN

- Muss von einem Erwachsenen zusammengebaut werden. Der Zusammenbau muss vor dem Gebrauch von einem Erwachsenen überprüft werden
- WARNUNG! Bewahren Sie alle Schrauben, Kleinteile und Plastikbeutel außerhalb der Reichweite von Kindern auf
- Kennzeichnen Sie vor dem Zusammenbau alle Teile richtig
- Benutzen Sie Ihren Artikel niemals, wenn Teile gebrochen sind oder fehlen
- Sollten Probleme auftreten, wenden Sie sich bitte an unseren Kundendienst
- Die Anweisungen des Herstellers sind stets zu befolgen
- Pflege: Mit einem weichen, trockenen Tuch reinigen. Bei größeren Flecken vorsichtig mit einem leicht feuchten, nicht scheuernden Schwamm abreiben. nicht scheuernden Schwamm
- Vermeiden Sie die Gefahr eines Brandes, indem Sie die Möbel nicht in der Nähe von Zündquellen oder heißen Gegenständen aufstellen
- Nicht auf das Bett springen

Français

IMPORTANT ! CONSERVER POUR RÉFÉRENCE ULTÉRIEURE : LIRE ATTENTIVEMENT

- Le montage doit être effectué par un adulte. Le montage doit être vérifié par un adulte avant Utilisation
- ATTENTION ! Tenir les vis, les petites pièces et les sachets en plastique hors de portée des enfants
- Identifiez correctement toutes les pièces avant de les assembler
- N'utilisez jamais votre article si l'une de ses pièces est cassée ou manquante
- En cas de problème, veuillez contacter notre service après-vente
- Les instructions du fabricant doivent être respectées à tout moment
- Entretien : nettoyer avec un chiffon doux et sec. En cas de taches plus importantes, frotter soigneusement avec une éponge non abrasive légèrement humide. légèrement humide et non Abrasive
- Évitez les risques d'incendie en ne plaçant pas les meubles à proximité de sources d'inflammation ou d'objets chauds
- Ne pas sauter sur le lit

Italiano

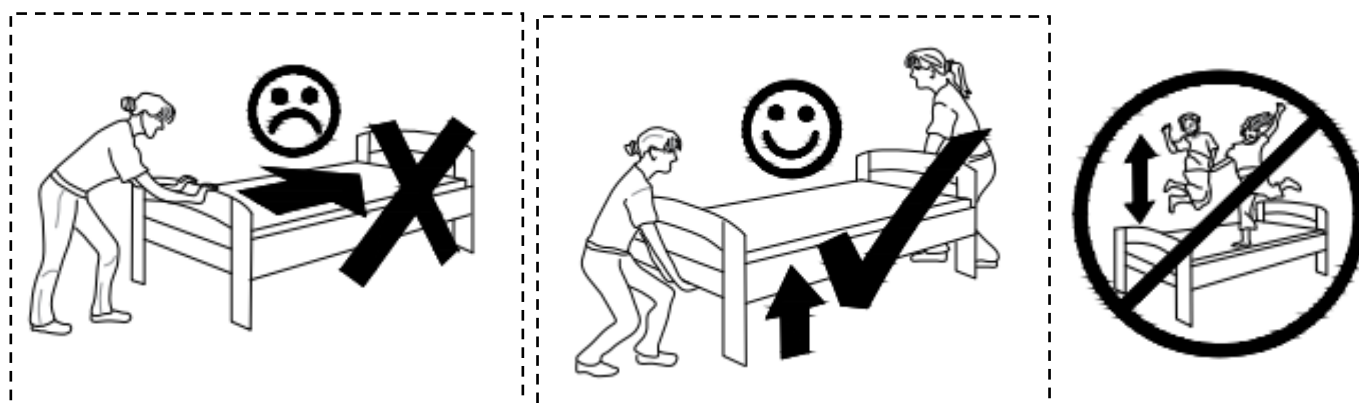
IMPORTANTE! CONSERVARE PER RIFERIMENTO FUTURO: LEGGERE ATTENTAMENTE

- Deve essere assemblato da un adulto. L'assemblaggio deve essere controllato da un adulto prima dell'uso
- **ATTENZIONE!** Tenere tutte le viti, le piccole parti e i sacchetti di plastica fuori dalla portata dei bambini
- Identificare correttamente tutte le parti prima dell'assemblaggio
- Non utilizzare mai l'articolo se alcune parti sono rotte o mancanti
- In caso di problemi, si prega di contattare il nostro Servizio Post Vendita
- Le istruzioni del produttore devono essere sempre seguite
- Cura: Pulire con un panno morbido e asciutto. In caso di macchie più estese, strofinare accuratamente con una spugna leggermente umida e nonspugna leggermente umida e non abrasiva
- Evitare il rischio di incendio, non collocando i mobili vicino a fonti di accensione o a oggetti caldi
- Non saltare sul letto

Español

¡ IMPORTANTE ! CONSERVELO PARA FUTURAS CONSULTAS: LEA ATENTAMENTE

- Debe ser montado por un adulto. El montaje debe ser comprobado por un adulto antes del uso
- ADVERTENCIA Mantenga todos los tornillos, piezas pequeñas y bolsas de plástico fuera del alcance de los niños.
- Identifique correctamente todas las piezas antes de montarlas
 - Nunca utilice su artículo si alguna de sus piezas está rota o falta
 - Si surge algún problema, póngase en contacto con nuestro Servicio Postventa
 - Las instrucciones del fabricante deben seguirse en todo momento
 - Cuidado: Limpiar con un paño suave y seco. En caso de manchas más grandes, frote cuidadosamente con una esponja no abrasiva ligeramente humedecida.
 - Evite el riesgo de incendio no colocando los muebles cerca de fuentes de ignición u objetos calientes.
 - No saltar sobre la cama.





DE: Vor dem Einbau die Schrauben in die Löcher stecken und festziehen, aber nicht bis 100%, 70% bis 80% anziehen reicht aus. Schließlich, nachdem alle Schrauben installiert sind, ziehen Sie alle Schrauben auf 100%.

Wenn Sie auf diese Probleme stoßen, wie z. B. Fehlausrichtung der Löcher oder Unfähigkeit, bestimmte Teile zu installieren, überprüfen Sie bitte, ob die Schrauben korrekt verwendet werden und passen Sie die Dichtigkeit der Schrauben an.

UK: Before installation, insert the screws into the holes and tighten them, but do not tighten them to 100%, 70% to 80% is sufficient. Finally, after all screws are installed, tighten all screws to 100%.

If you encounter these issues, such as if the holes cannot be aligned or some parts cannot be installed, please check if the screws are used correctly and adjust the tightness of the screws.

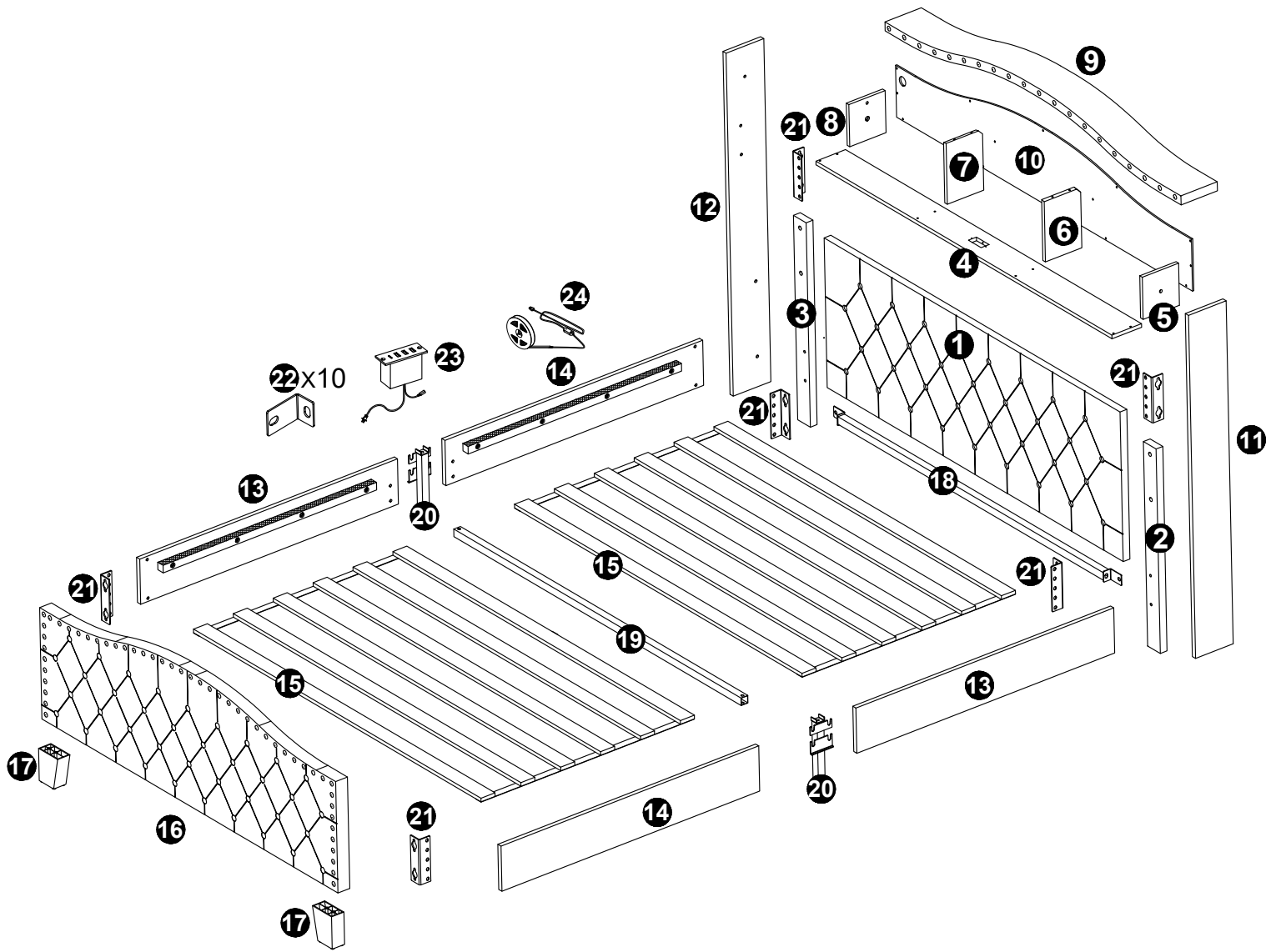
FR: Insérer la vis dans le trou avant la fin de l'assemblage, serrer la vis, mais ne pas serrer à 100%, 70% ~ 80% est correct. Enfin, une fois que toutes les vis sont bien serrées, toutes les vis sont serrées à 100%.

Si vous rencontrez ces problèmes, par exemple si les trous ne sont pas alignés ou si certaines pièces ne peuvent pas être montées, vérifiez que les vis sont utilisées correctement et Ajustez leur serrage.

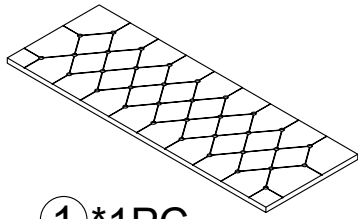
INSTRUCTIONS

IMPORTANT-READ CAREFULLY-RETAIN FOR FUTURE REFERENCE

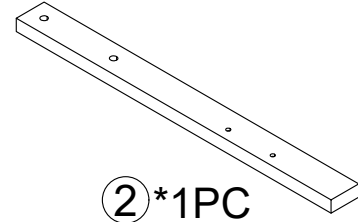
- a) **WARNING** -Children can become trapped between the bed and the wall, the adjoining pieces of furniture (e.g. cupboards) and the like. To avoid risk of serious injury the distance between the safety barrier and the adjoining structure shall not exceed 90 mm or shall be more than 230 mm.
- b) **WARNING**-Do not use the bed if any structural part is broken or missing; Replacement parts are between requested from the manufacturer or the store.
- c) **WARNING**-Do not climb or wiggle on any non-designated structures.
- d) it is imperative to always follow the installation instructions and manufacturer's use.
- e) **The recommended size of the mattress to be used with the bed is 190cmx135cm, maximum thickness mattress:25cm.**
- f) It is necessary to ventilate the room in order to maintain a low level moisture and prevent mold growth in the bed and its periphery.
- g) Joining devices should always be tightened properly and regularly verified. Tighten if necessary.



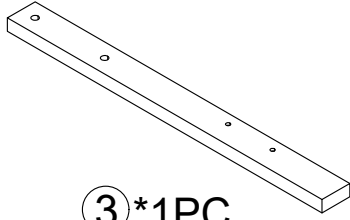
N604P433669



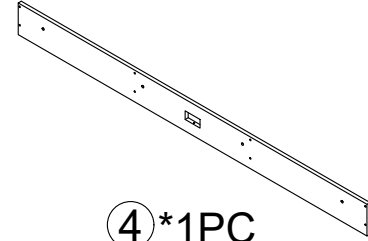
①*1PC



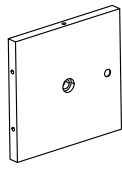
②*1PC



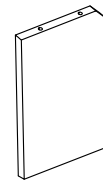
③*1PC



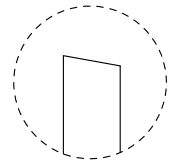
④*1PC



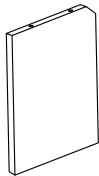
⑤*1PC



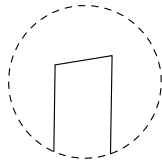
⑥*1PC



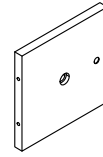
Front



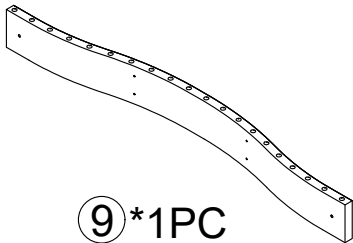
⑦*1PC



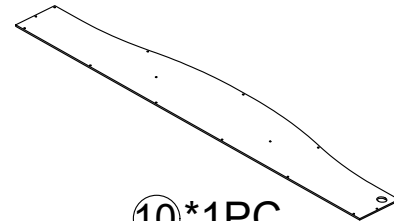
Front



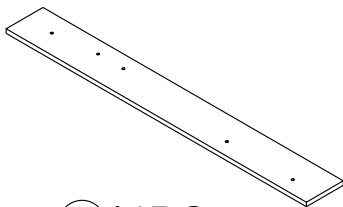
⑧*1PC



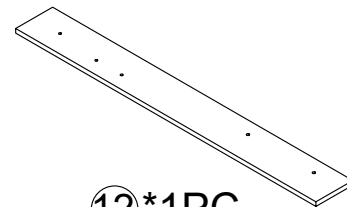
⑨*1PC



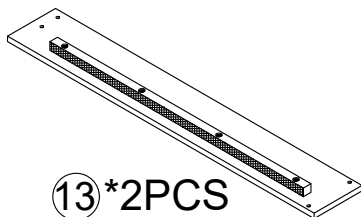
⑩*1PC



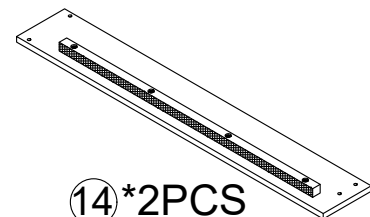
⑪*1PC



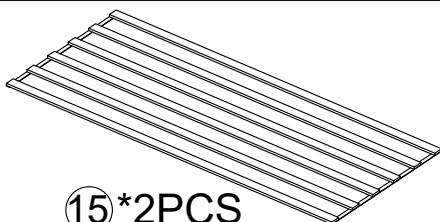
⑫*1PC



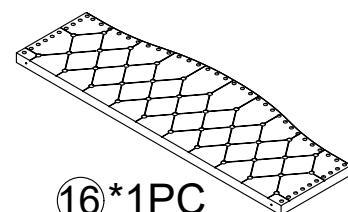
⑬*2PCS



⑭*2PCS

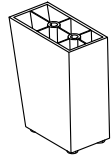


⑮*2PCS

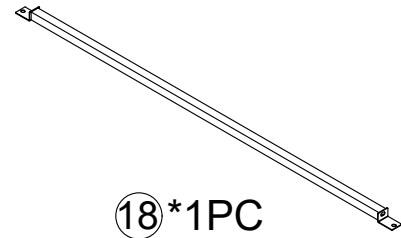


⑯*1PC

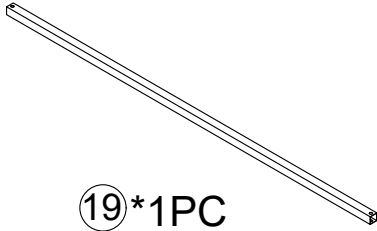
N604P433669



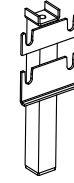
①⑦*2PCS



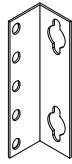
①⑧*1PC



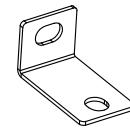
①⑨*1PC



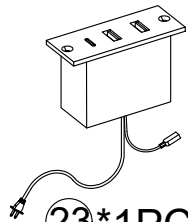
②⑦*2PCS



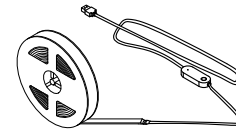
②①*6PCS



②②*10PCS

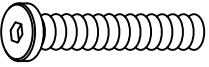



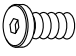
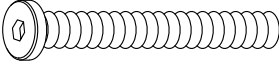
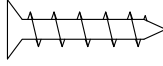



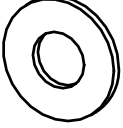
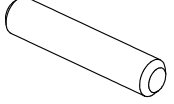
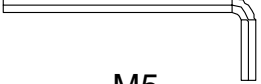

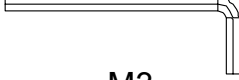



②③*1PC

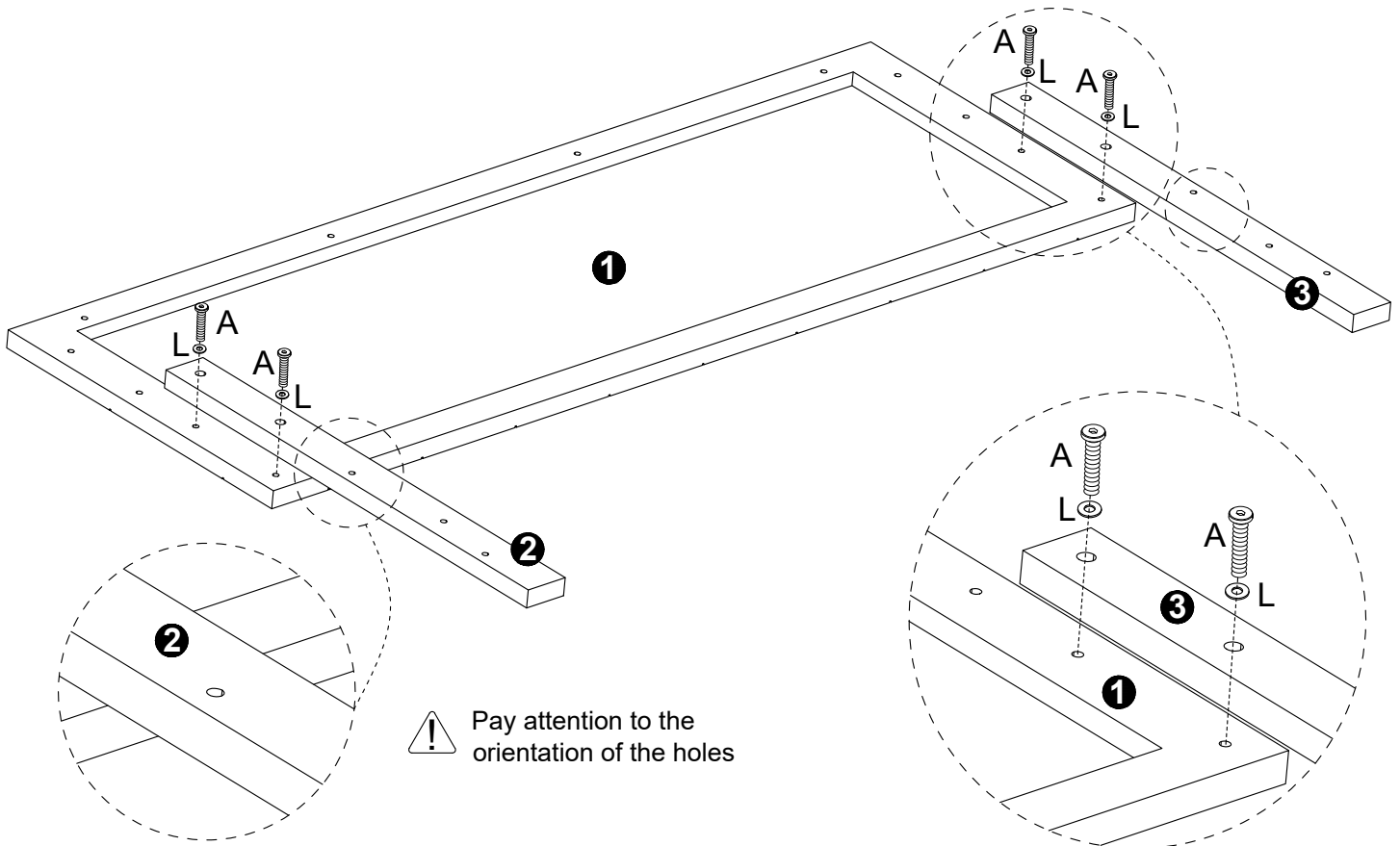


②④*1PC

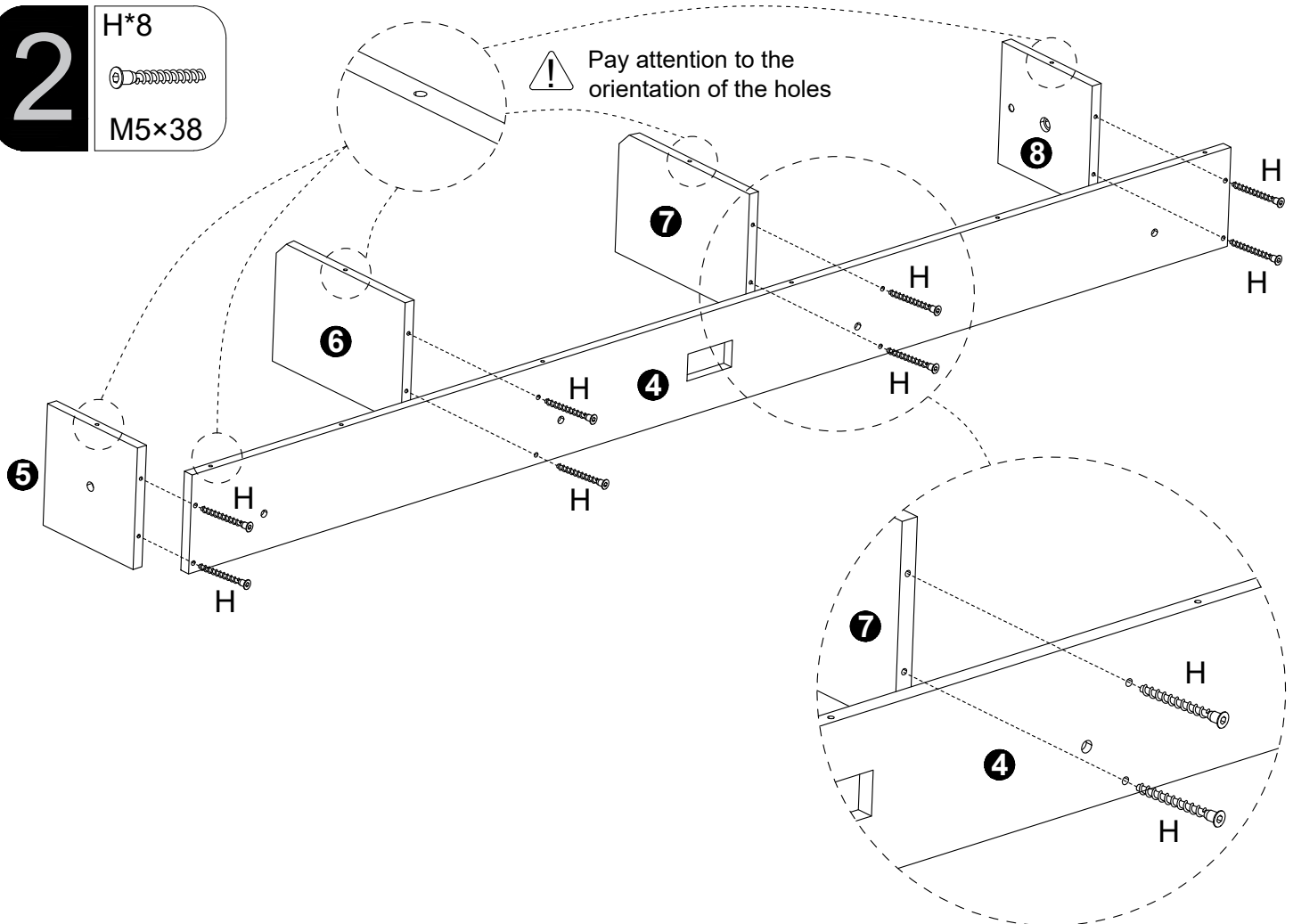
Hardware List-Hardwareliste N604P433669

 <p>M8×45mm A*4PCS</p>	 <p>M8×35mm B*2PCS</p>	 <p>M8×25mm C*2PCS</p>	 <p>M8×16mm D*48PCS</p>
 <p>M8×10mm E*6PCS</p>	 <p>M6×75mm F*2PCS</p>	 <p>M3×12mm G*2PCS</p>	 <p>M5×38mm H*18PCS</p>
 <p>M5×70mm J*2PCS</p>	 <p>M4×20mm K*5PCS</p>	 <p>M8×20mm L*4PCS</p>	 <p>Ø5×20mm M*4PCS</p>
 <p>M5 N*1PC</p>	 <p>M4 P*1PC</p>	 <p>M3 Q*1PC</p>	 <p>R*1PC</p>



1	L*4	A*4
	M8×20	M8×45

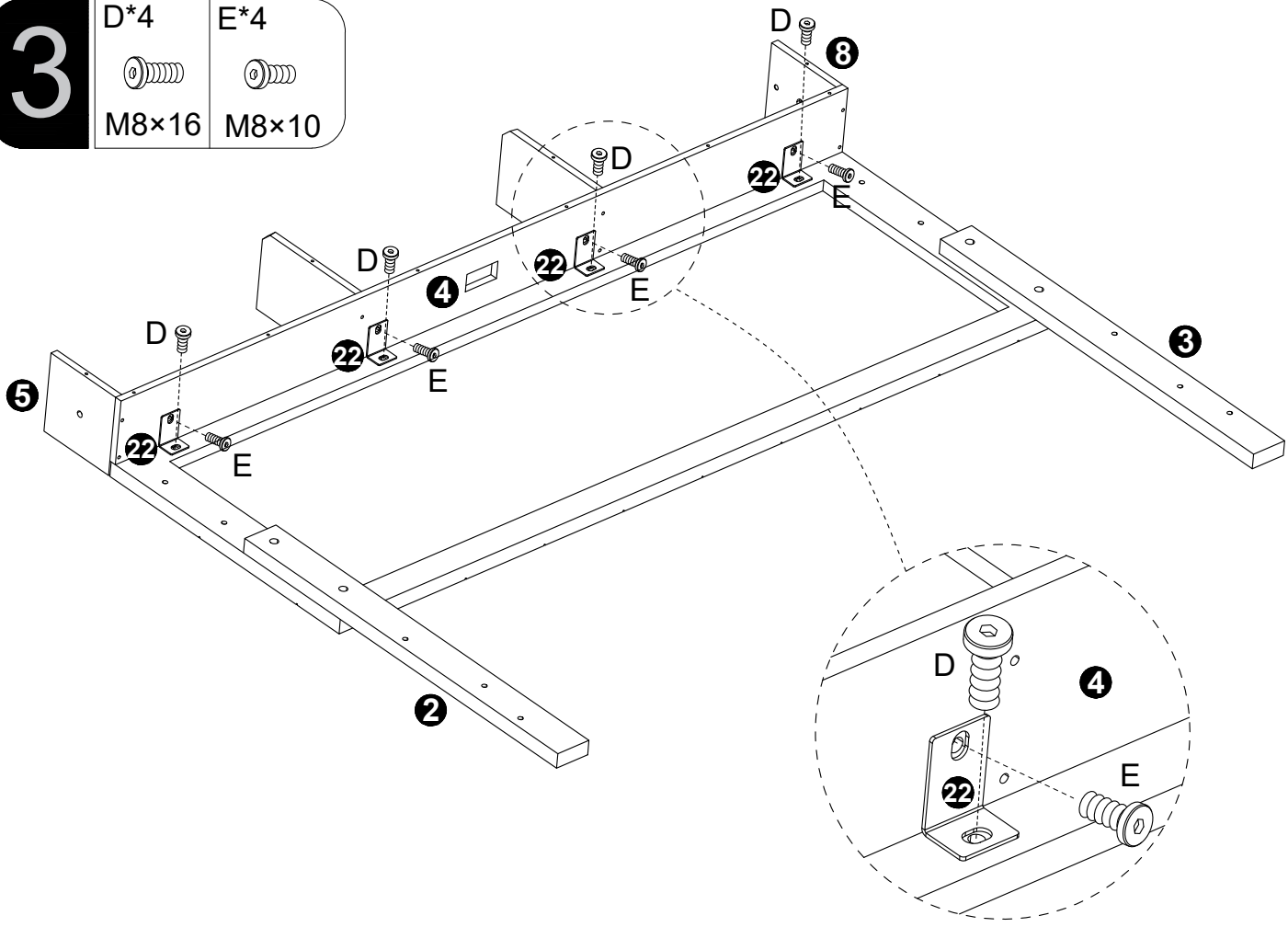


2	H*8
	M5×38




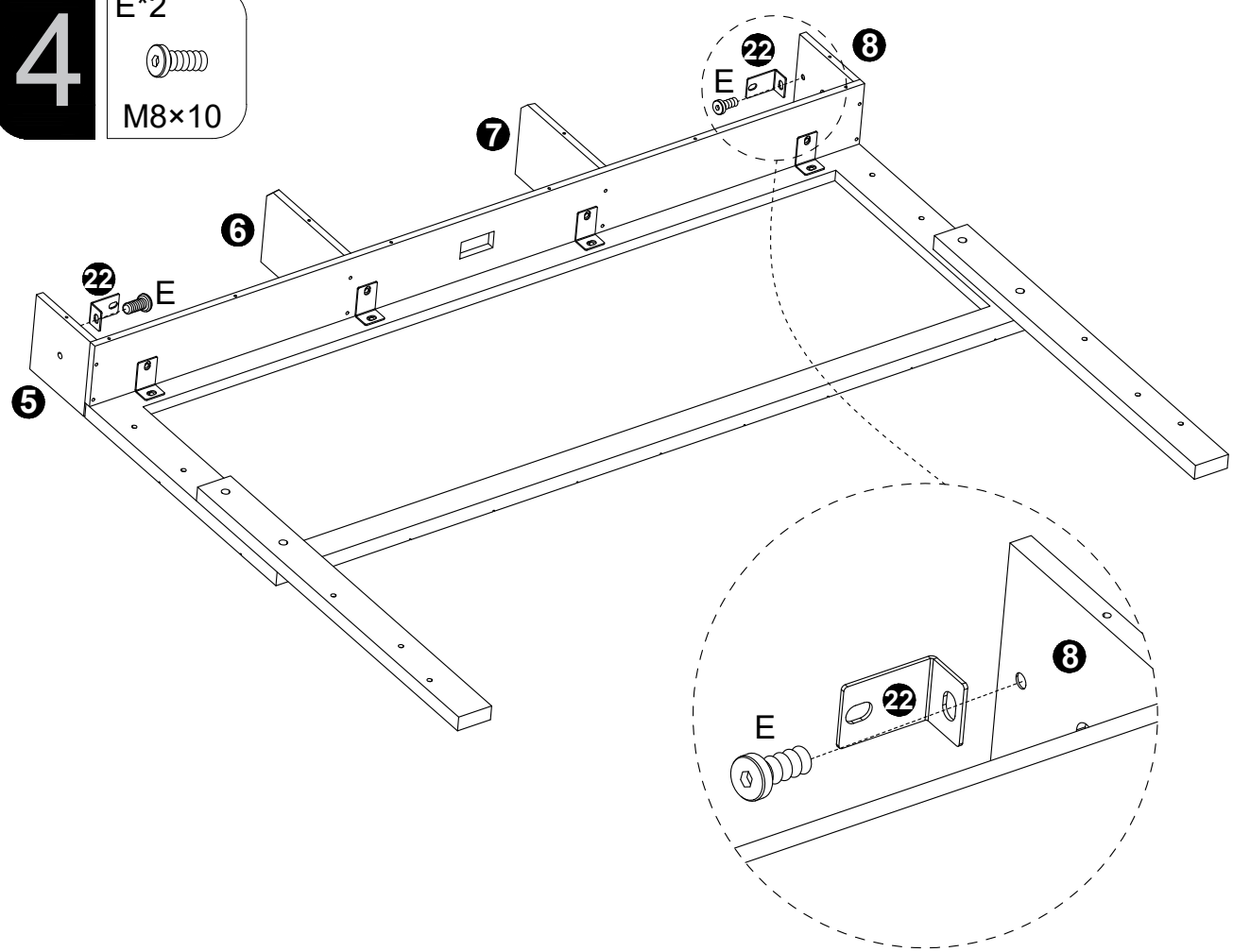
3

D*4	E*4
	
M8x16	M8x10

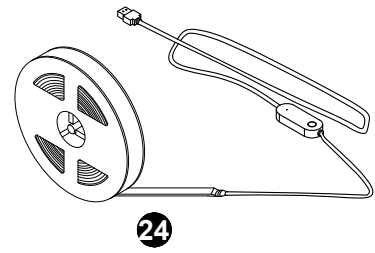


4

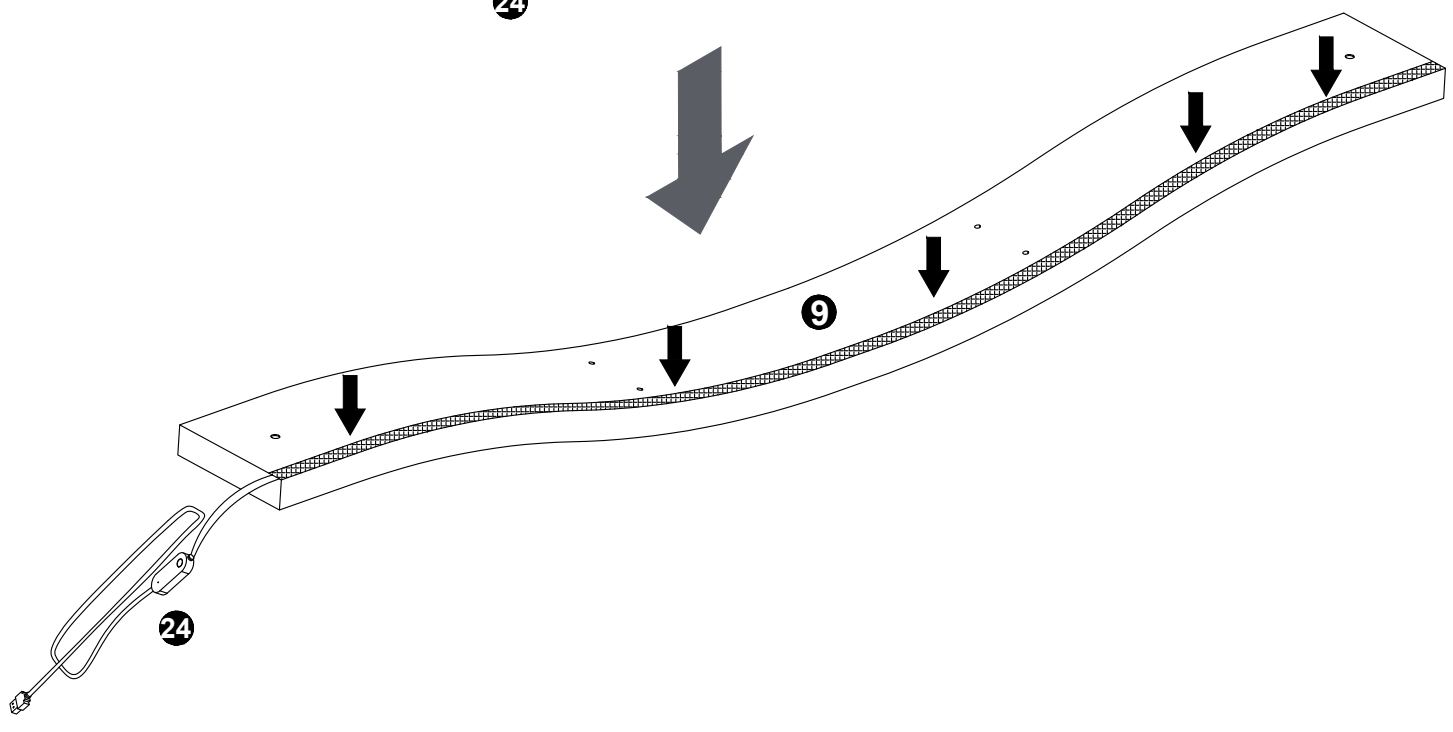
E*2

M8x10





5

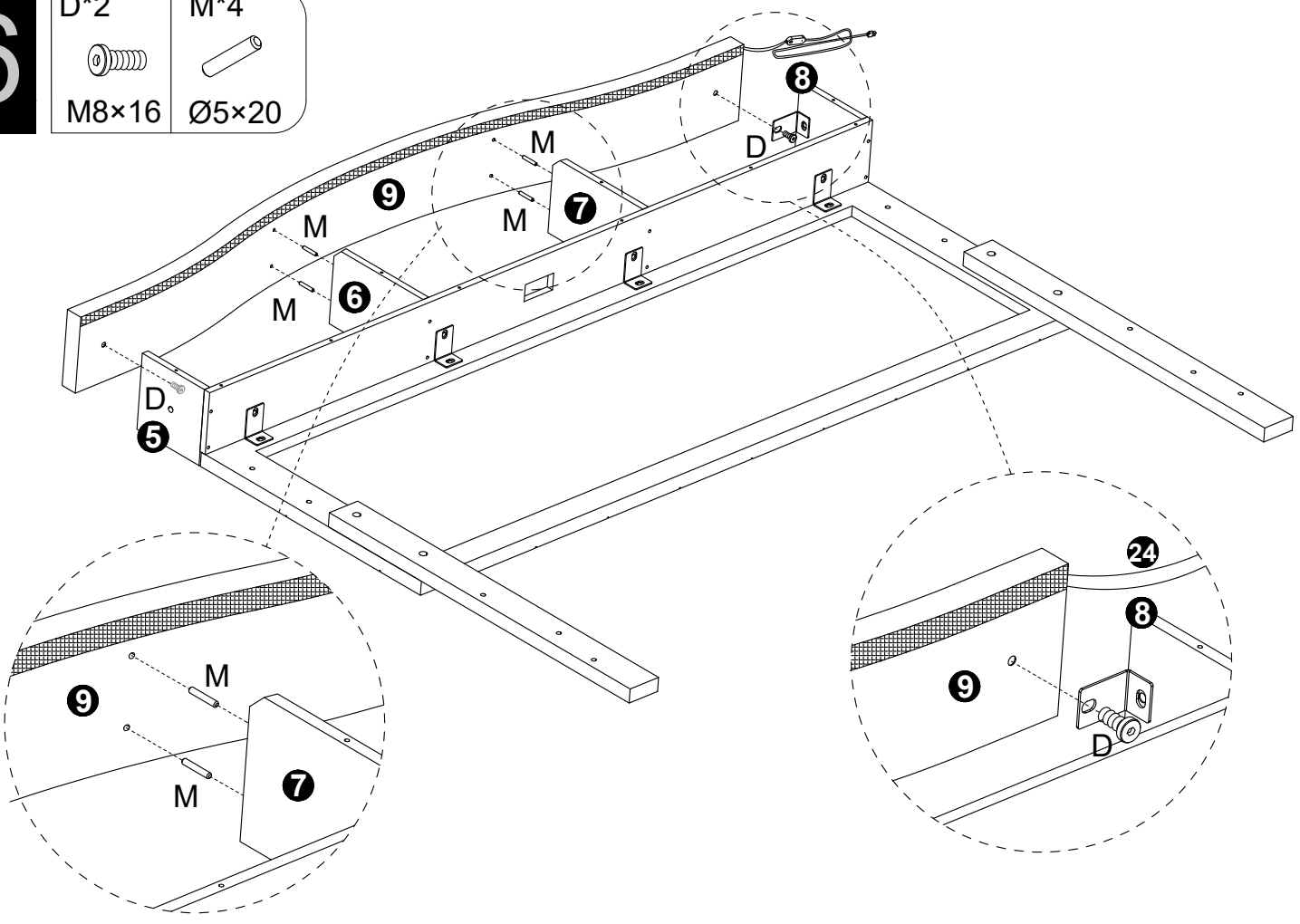


Unfold the light strip

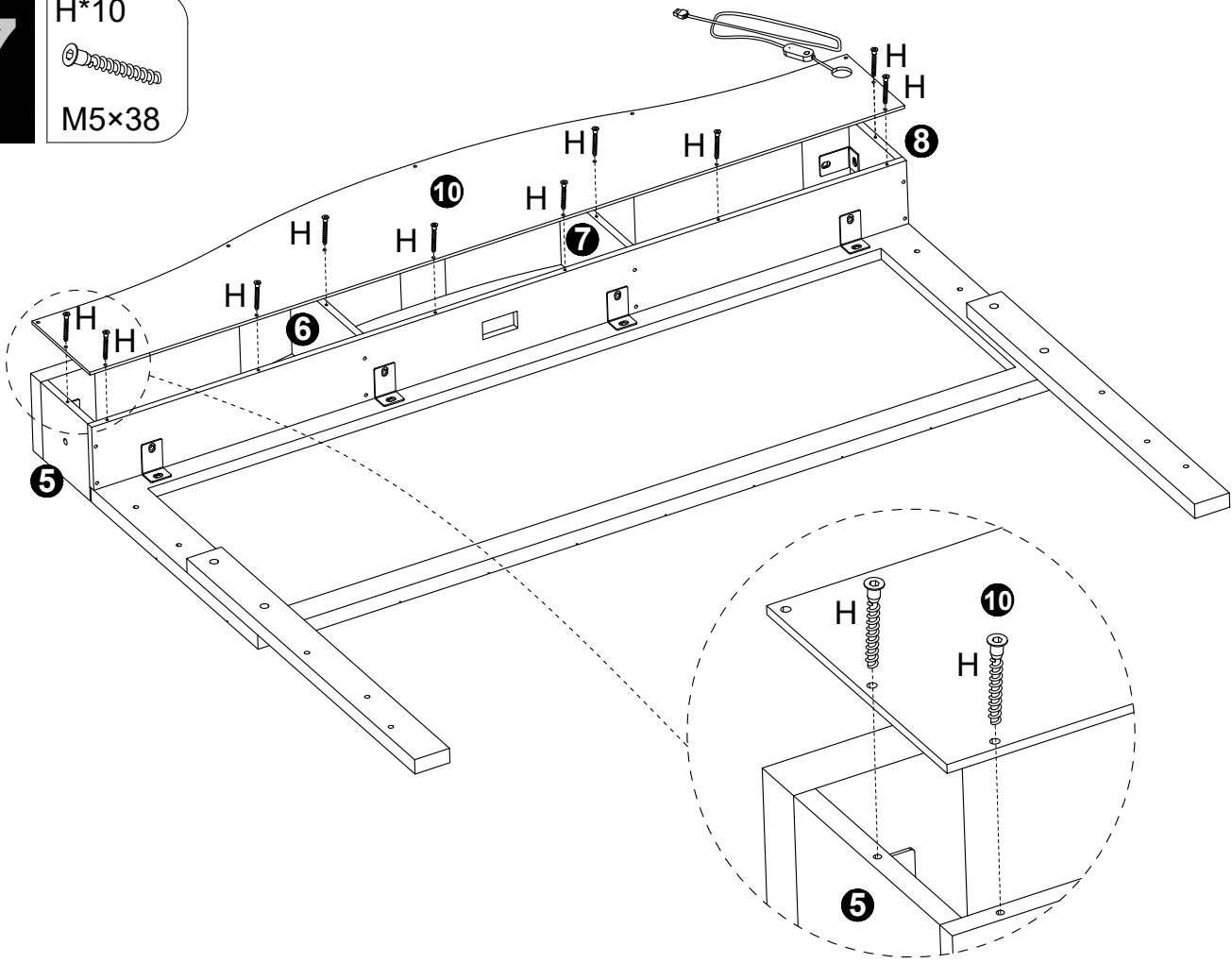


6

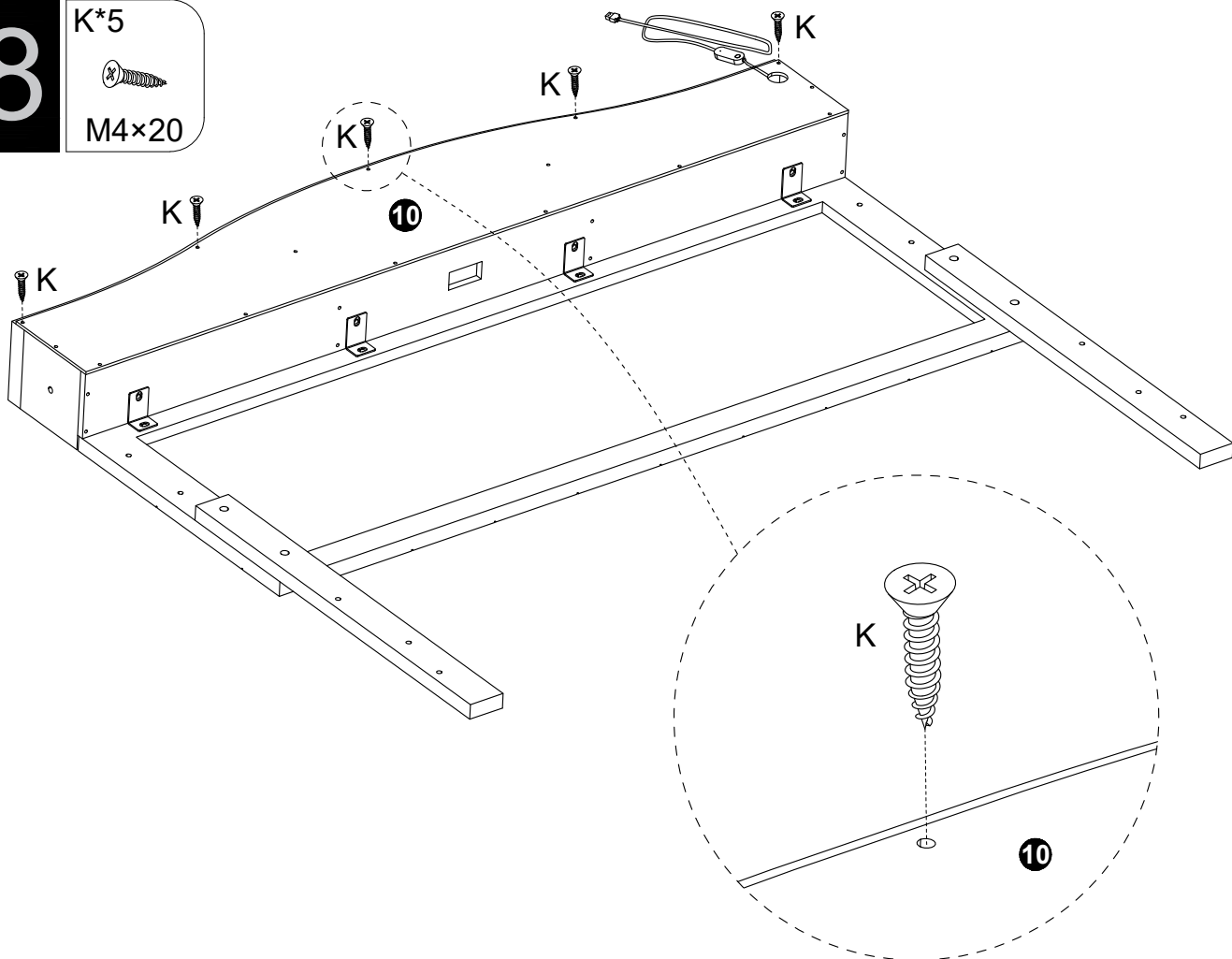
- | | |
|---|---|
| D*2 | M*4 |
|  |  |
| M8x16 | Ø5x20 |



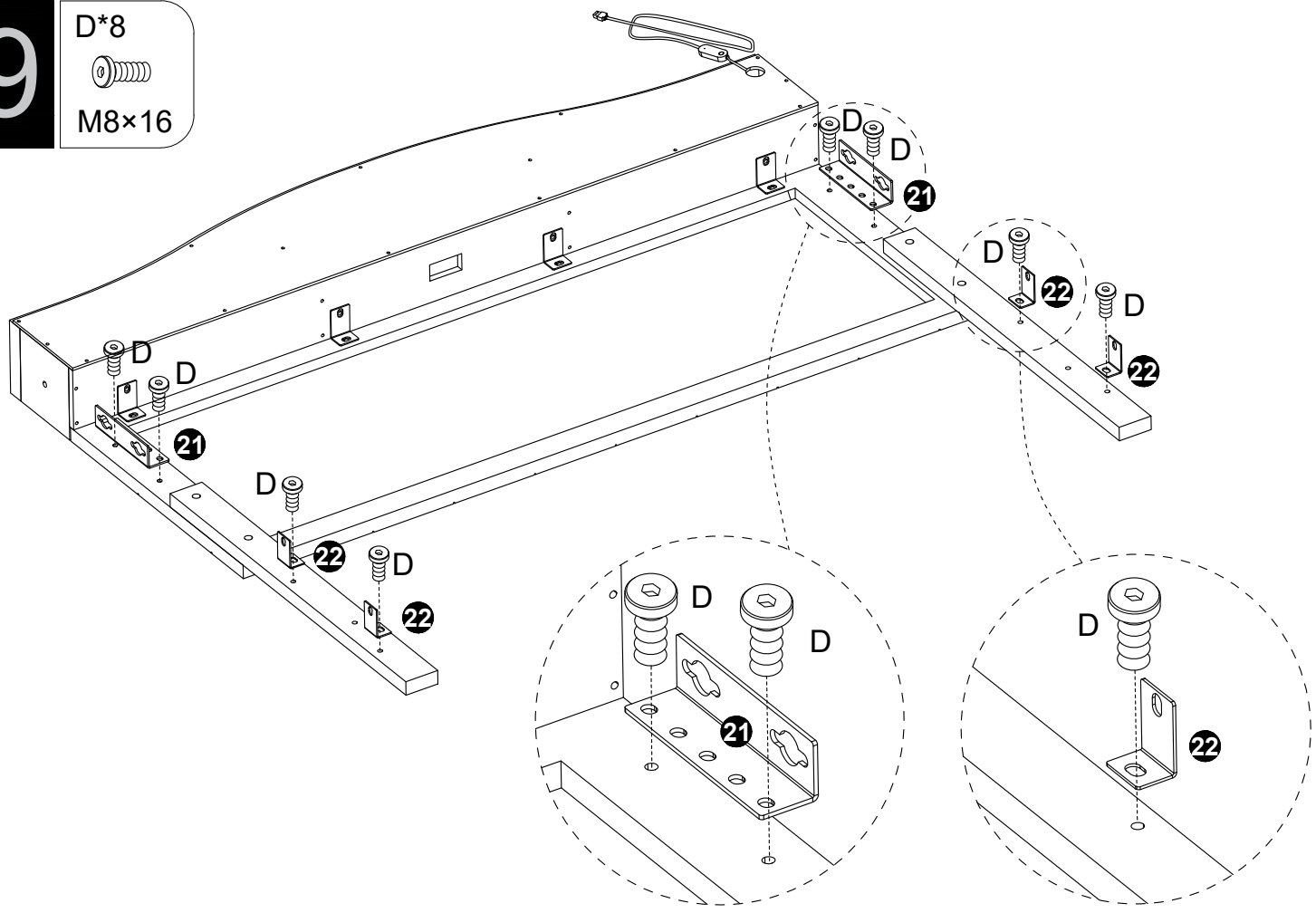
7 H*10
M5×38



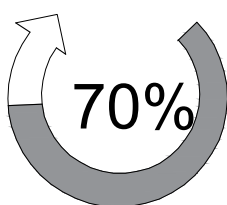
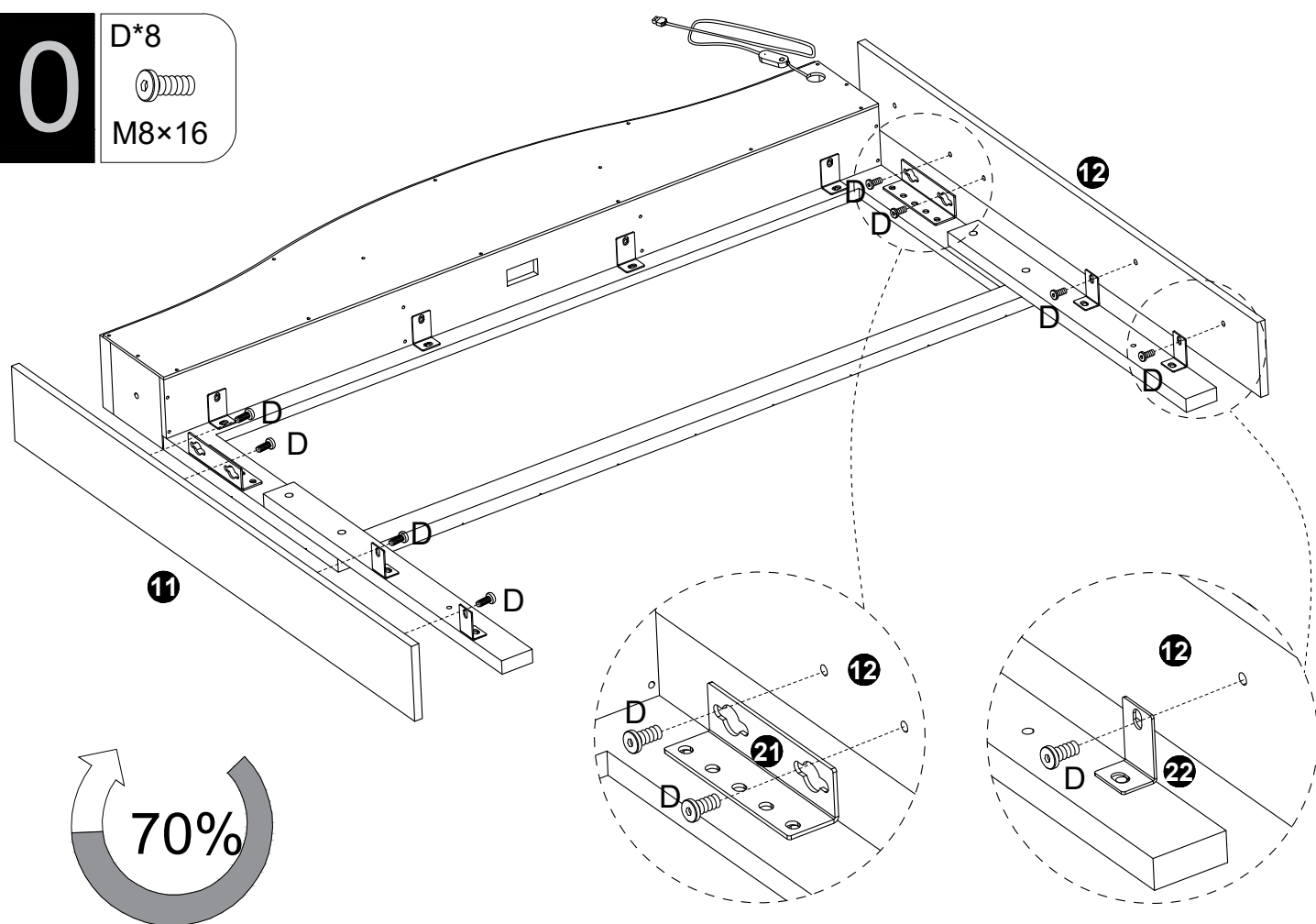
8 K*5
M4×20



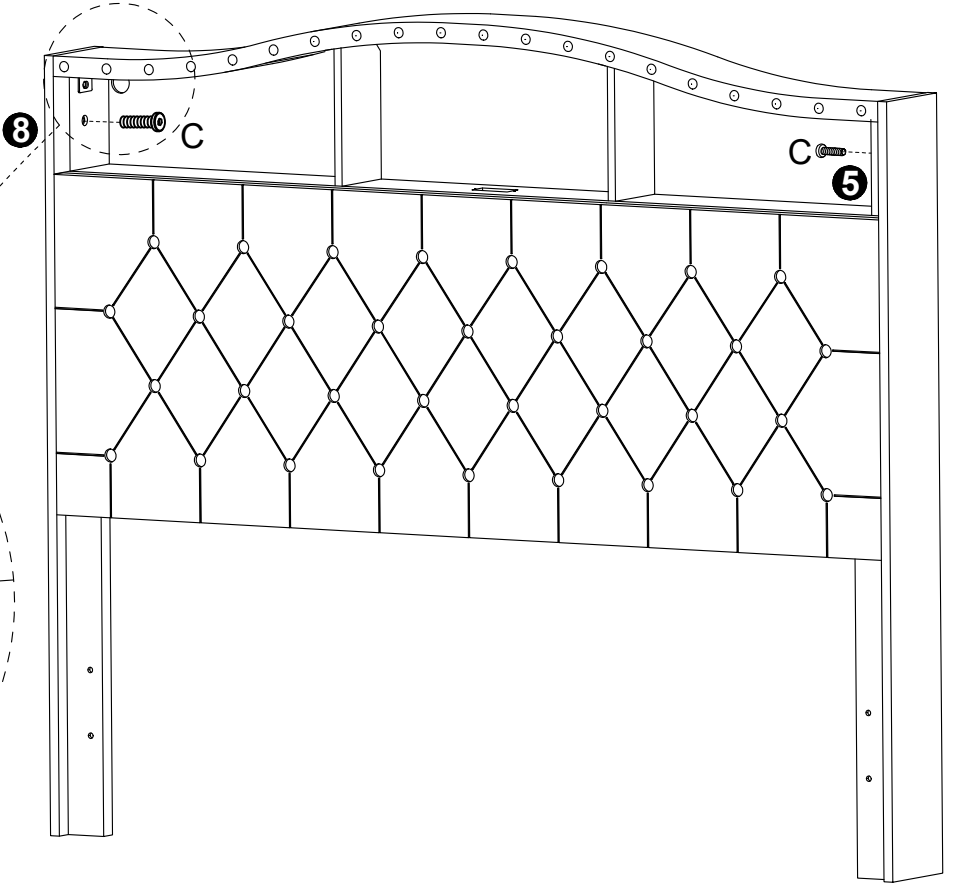
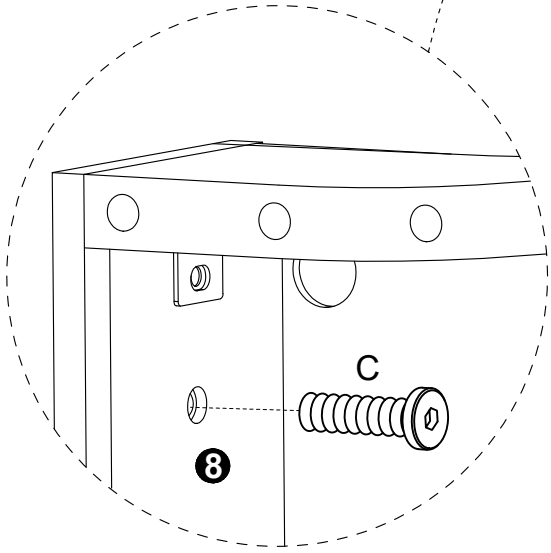
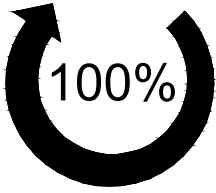
9 D*8
M8x16



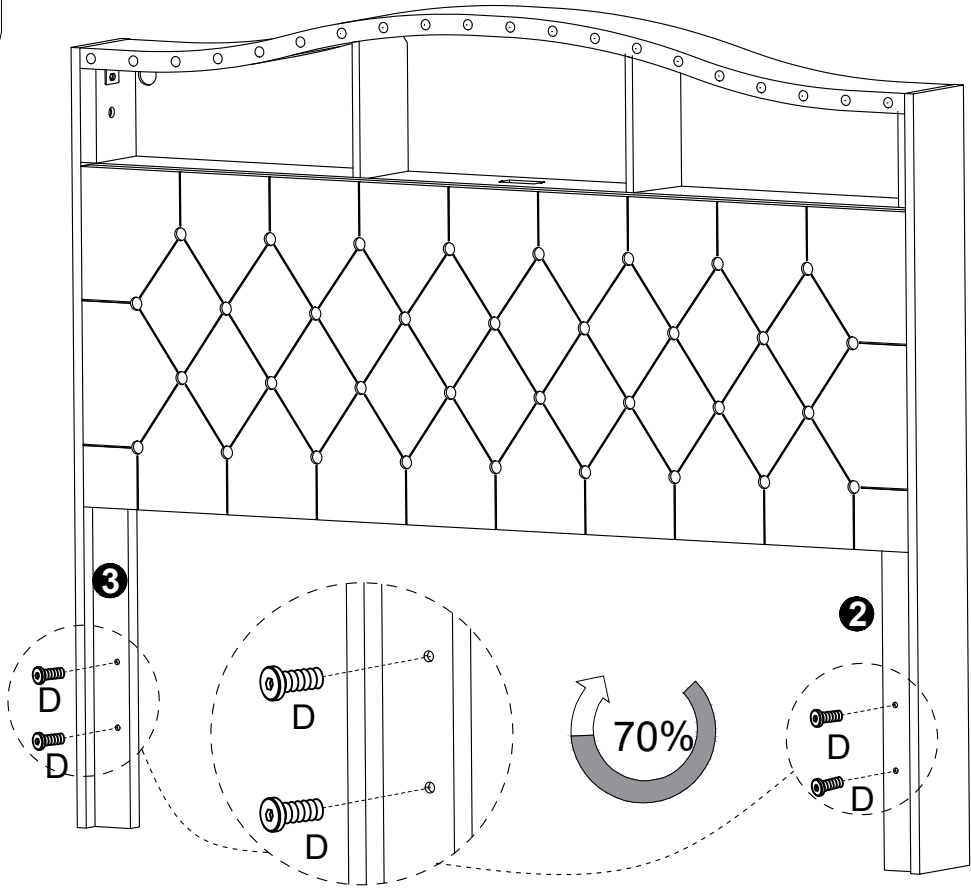
10 D*8
M8x16



11 C*2
M8x25



12 D*4
M8x16

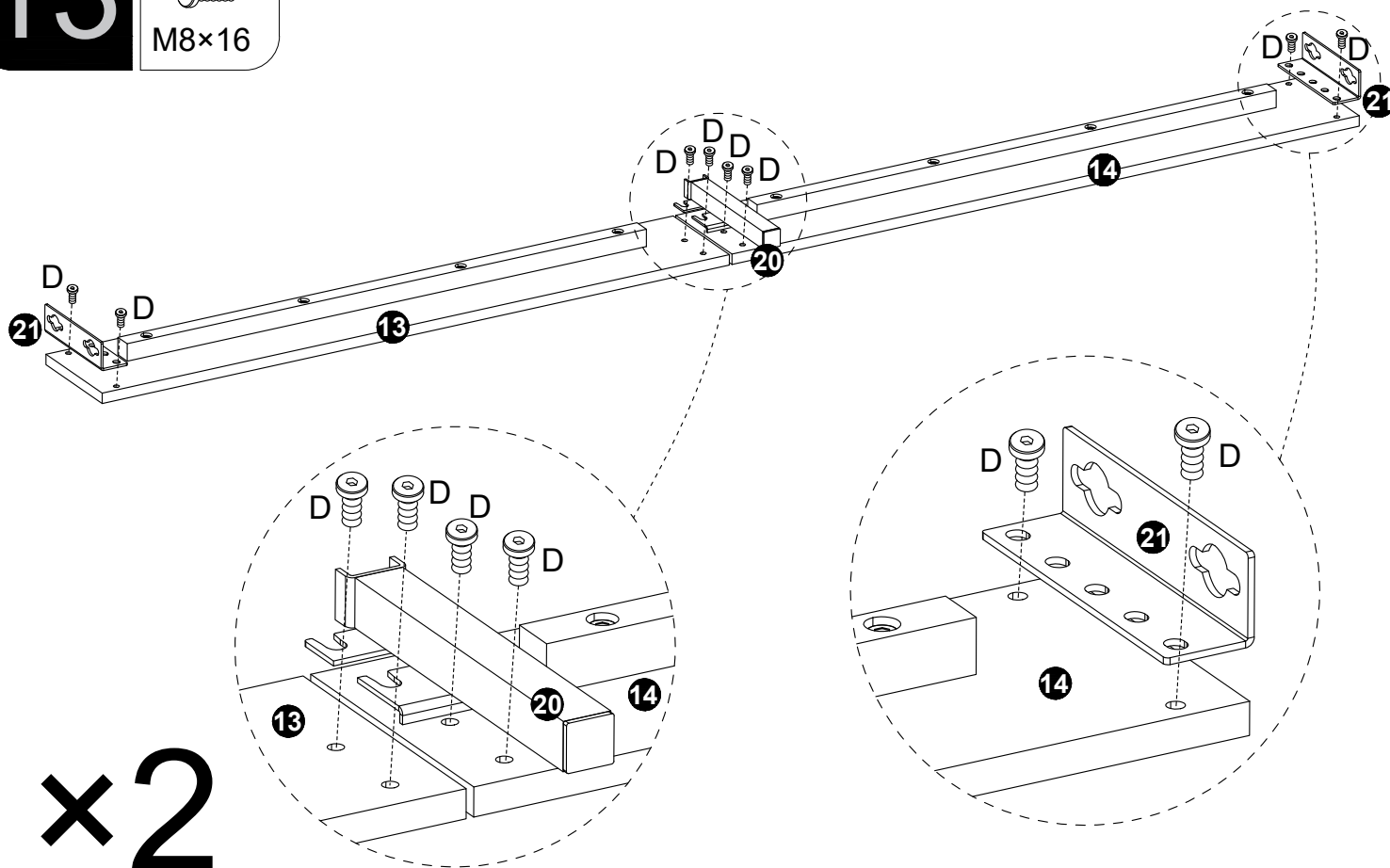


13

D*16



M8×16



14

F*2

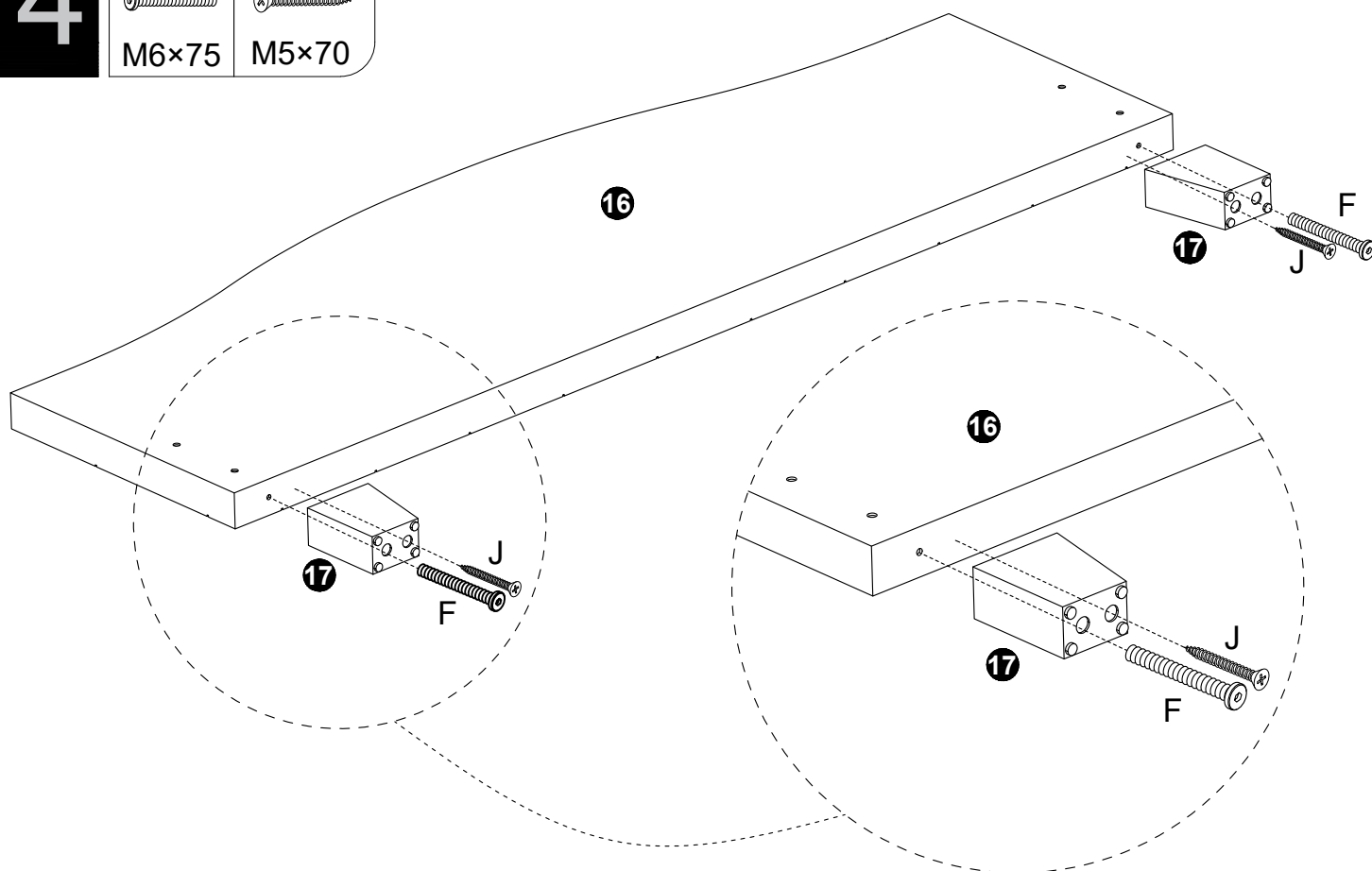


M6×75

J*2



M5×70

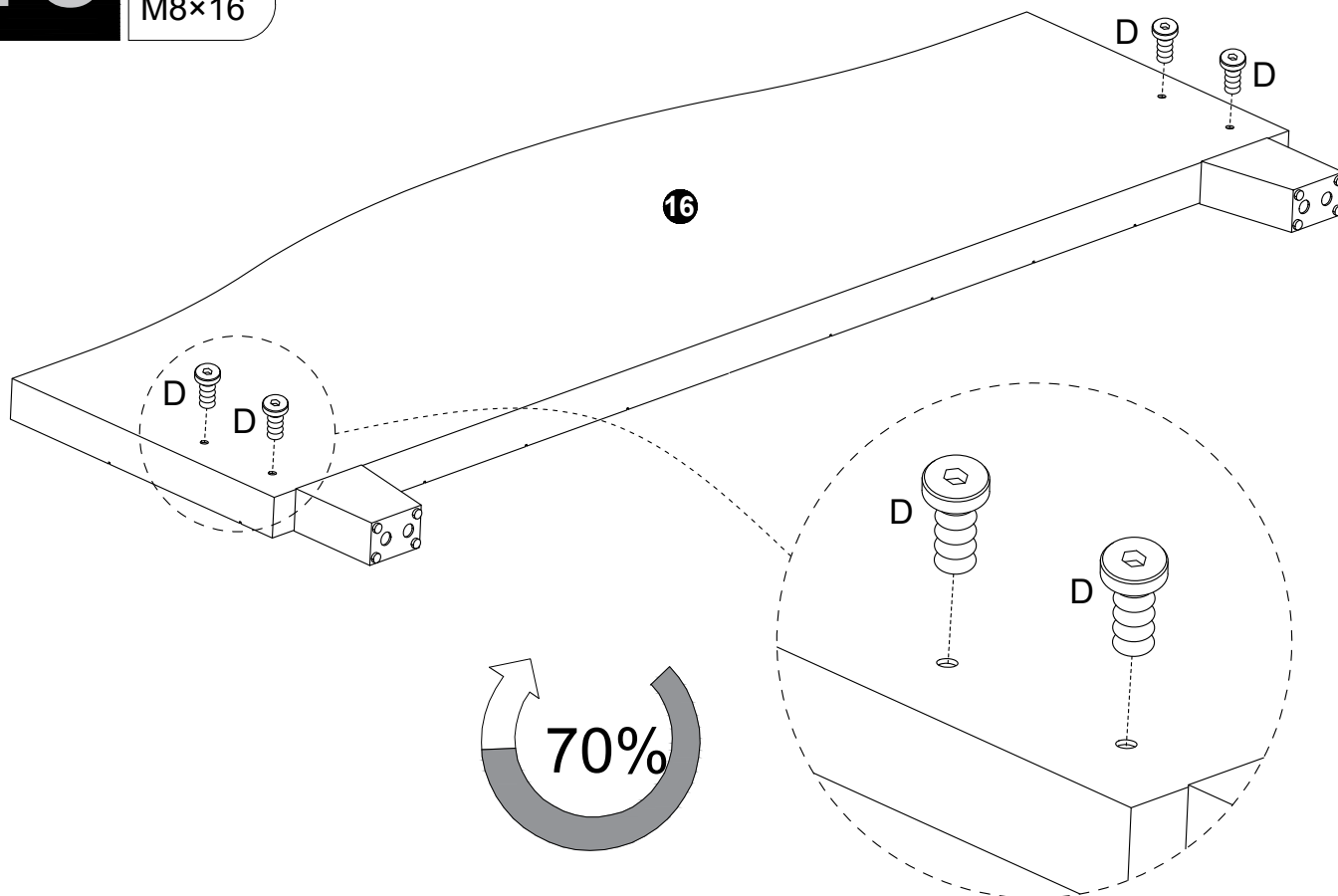


15

D*4

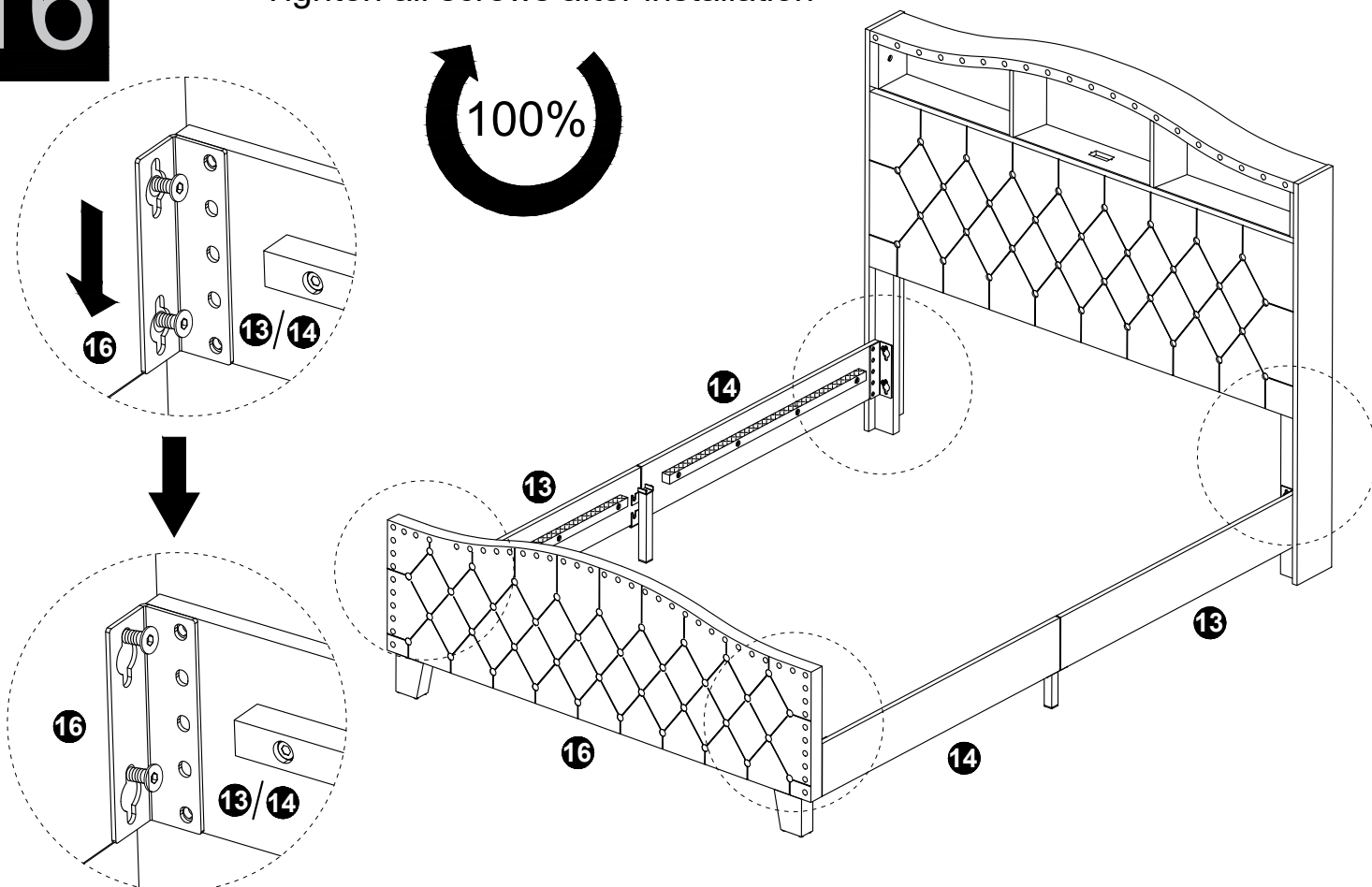
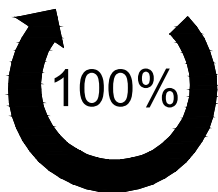


M8x16



16

Tighten all screws after installation

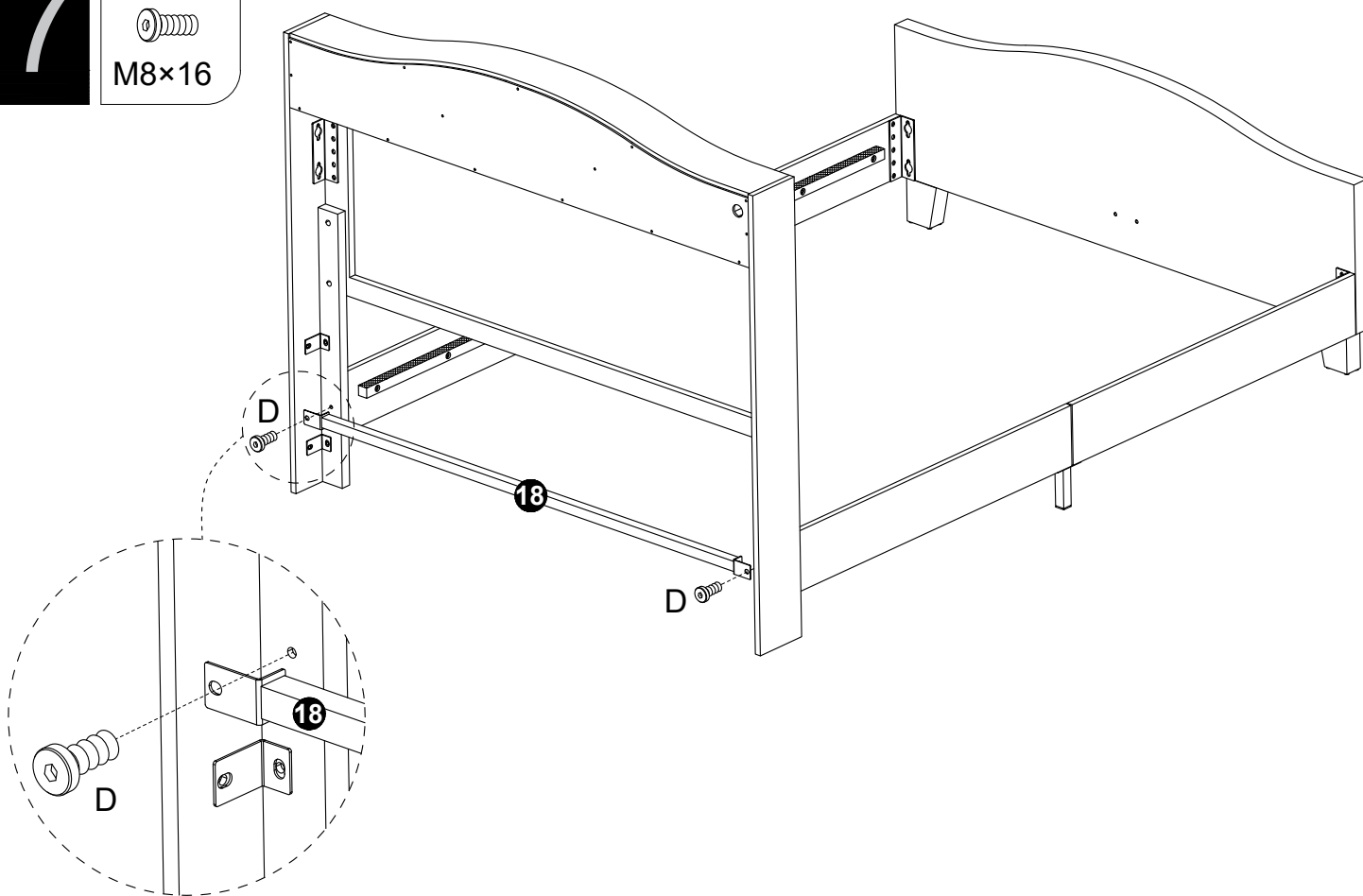


17

D*2

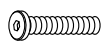


M8×16

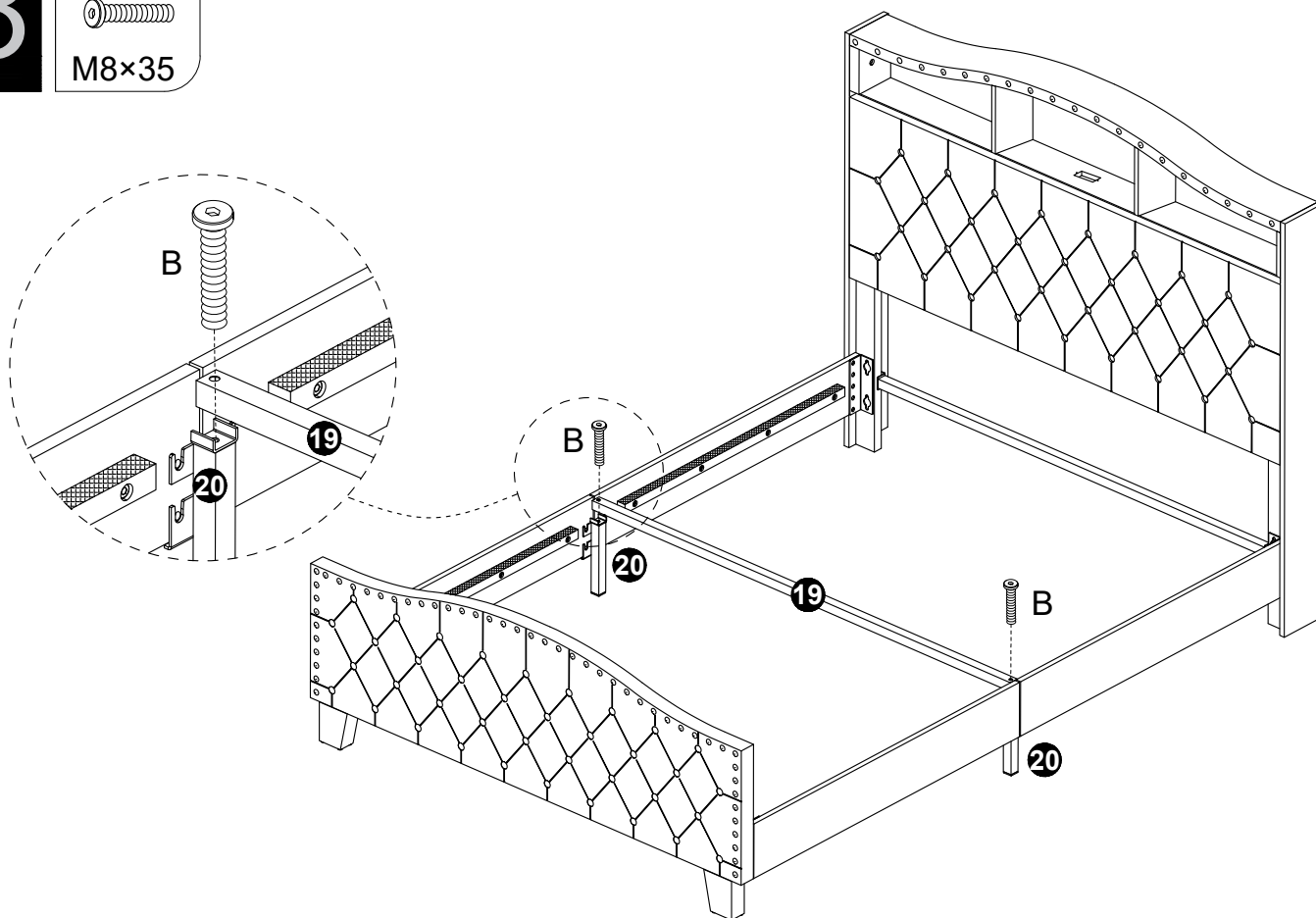


18

B*2

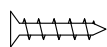


M8×35

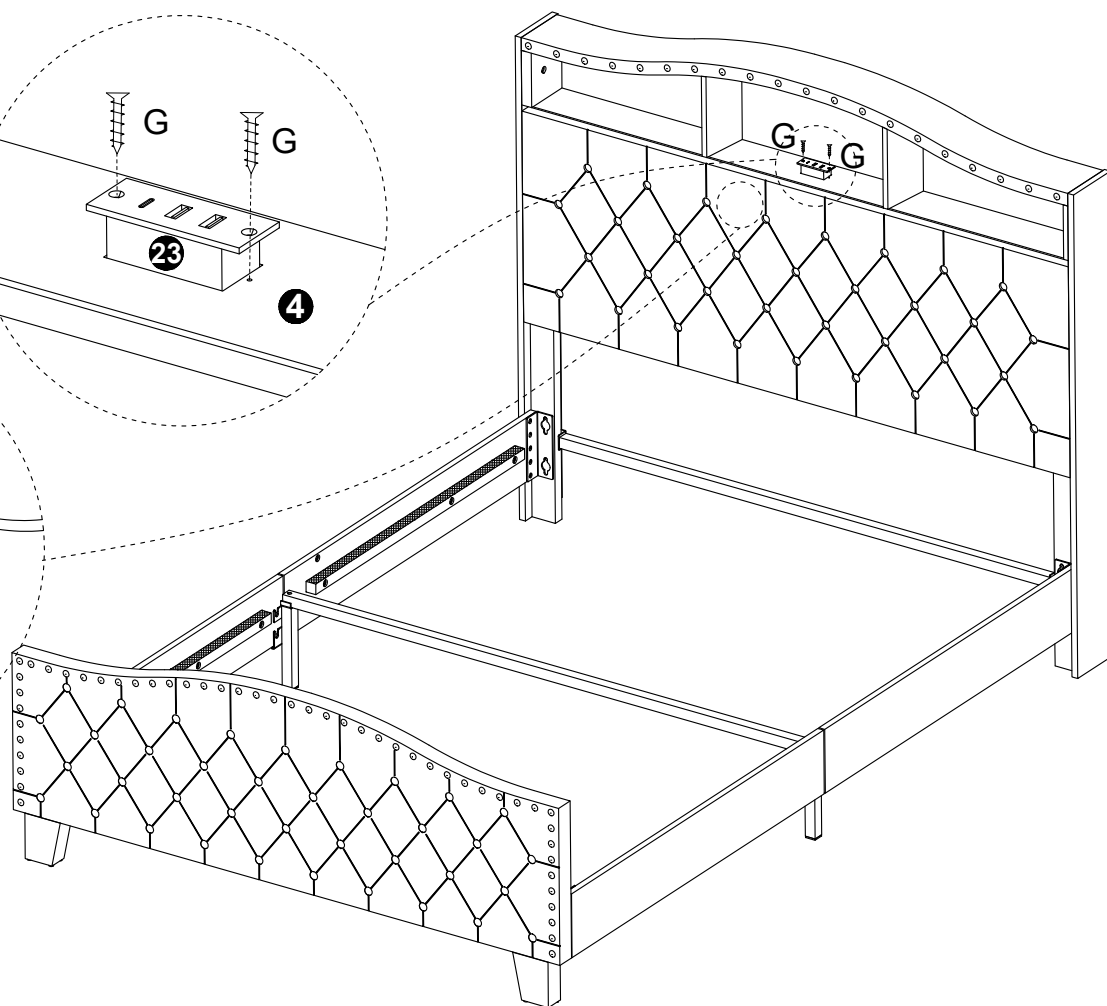
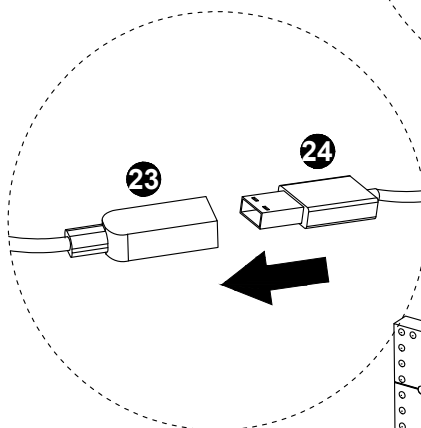
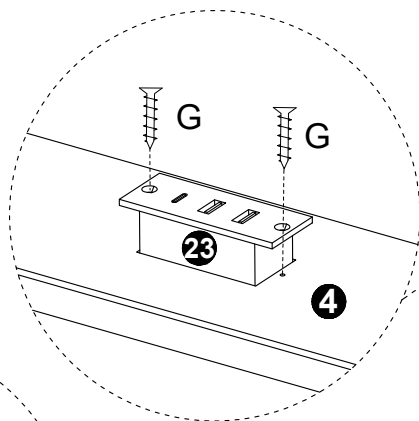


19

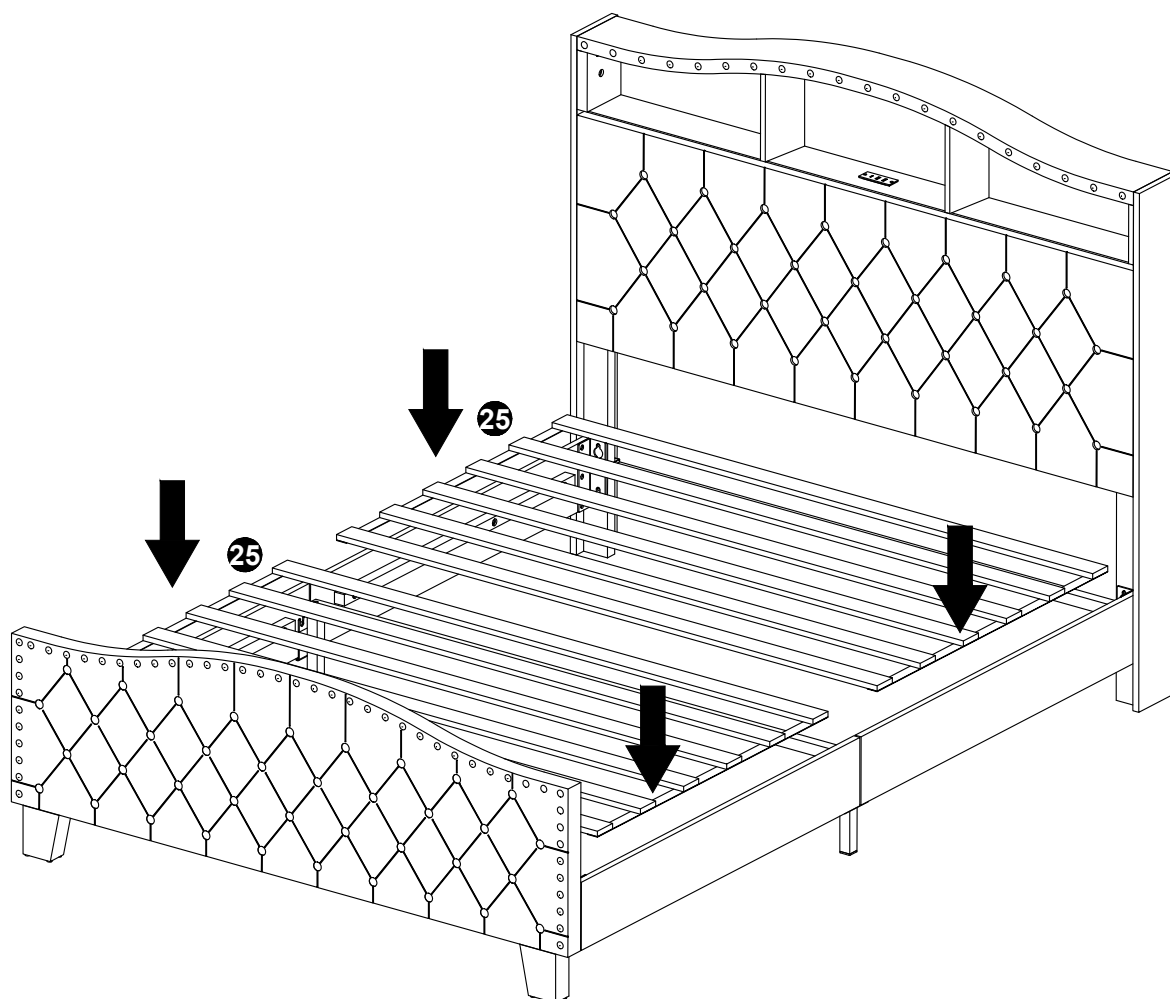
G*2



M3×12



20





Certificate Of Compliance

Certificate No. : BZT252355000417CC-R1
Applicant : Xiamen Zhenlexin Electronic Technology Co., Ltd
Address : 3rd Floor, No. 96, Huli Yuan, Xinmei Sub-district, Tong'an District, Xiamen City
Manufacturer : Xiamen Zhenlexin Electronic Technology Co., Ltd
Address : 3rd Floor, No. 96, Huli Yuan, Xinmei Sub-district, Tong'an District, Xiamen City
Sample Name : Light strip
Main Model : ZLX5050RGB-30D
Additional Model : ZLX5050RGB-60D
BS EN 62321-1:2013
BS EN 62321-2:2021
BS EN 62321-3-1:2013
BS EN 62321-4:2013/AMD1:2017
Test Standard : BS EN 62321-5:2013
BS EN 62321-6:2015
BS EN 62321-7-1:2015
BS EN 62321-7-2:2017
BS EN 62321-8:2017
As shown in the Test Report No. : BZT252355000417CR-R1

The EUT described above has been consolidated by us and found in compliance with the council of UK RoHS Restriction of Use of Certain Hazardous Substances in Electrical and Electronic Equipment Regulations SI 2012/3032. The certificate applies to the tested sample above mentioned only and shall not imply an assessment of the whole production. It is only valid in connection with the test report Number BZT252355000417CR-R1.



Scan QR code
verification of authenticity

**UK
CA** **RoHS**

Mark Wen



Mark Wen
Technical director
Date: Oct.28,2025

Lab Name : BZT Testing (Dongguan) Co., Ltd.
Lab : 1F, Banging building, Fuma, Chigang community, Humen Town, Dongguan City,
Address : Guangdong Province, China
BZT http : www.bzt-test.com **Telephone** : +86-0769-81516886
Confirm the authenticity of Test reports Email: bzt@bzt-test.com



Certificate Of Compliance

Certificate No. : BZT252355000415SC-R1
Applicant : Xiamen Zhenlexin Electronic Technology Co., Ltd
Address : 3rd Floor, No. 96, Huli Yuan, Xinmei Sub-district, Tong'an District, Xiamen City
Manufacturer : Xiamen Zhenlexin Electronic Technology Co., Ltd
Address : 3rd Floor, No. 96, Huli Yuan, Xinmei Sub-district, Tong'an District, Xiamen City
Product Name : Light strip
Main Model : ZLX5050RGB-30D
Series Models : ZLX5050RGB-60D (All models share same electric circuits except outer shape and model name.)
Trade mark : /
Test Standard : BS EN IEC 60598-1:2021+A11:2022
: BS EN 60598-2-21:2015
Report No. : BZT252355000415SR-R1

Technical documentation of the company and the product above have been observed and audit has been completed successfully by us. The Electrical Equipment (Safety) Regulations 2016 have been taken as references for these processes.

The UKCA mark shown below can only be used under the responsibility of the manufacturer with the completion of UK Declaration of Conformity and other necessary technical documentation for all the relevant regulation(s). The certificate applies to the tested sample above mentioned only and shall not imply an assessment of the whole production. It is only valid in connection with the test report number.

BZT252355000415SR-R1



Scan QR code
verification of authenticity



Alex



Alex Wu
Technical Director
Date: Oct. 23, 2025

Lab Name : BZT Testing (Dongguan) Co., Ltd.
Lab Address : 1F, Bangying Building, Fuma, Chigang Community, Humen Town Dongguan, GUA, 523900, China
Website : www.bzt-test.com **Telephone** : +86-0769-81516886
Confirm the authenticity of Test reports Email: bzt@bzt-test.com



Certificate Of Compliance

Certificate No. : BZT252355000415EC
Applicant : Xiamen Zhenlexin Electronic Technology Co., Ltd
Address : 3rd Floor, No. 96, Huli Yuan, Xinmei Sub-district, Tong'an District, Xiamen City
Manufacturer : Xiamen Zhenlexin Electronic Technology Co., Ltd
Address : 3rd Floor, No. 96, Huli Yuan, Xinmei Sub-district, Tong'an District, Xiamen City
Product Name : Light strip
Main Model : ZLX5050RGB-30D
Series Models : ZLX5050RGB-60D (All models share same electric circuits except outer shape and model name.)

Essential requirement		Applied Specifications/Standards	Documentary Evidence	Result
Art.3.1(a)	Health	BS EN 62479:2010	BZT252355000415ER03	Pass
Art.3.1(a)	Safety	BS EN IEC 60598-1:2021+A11:2022 BS EN 60598-2-21:2015	BZT252355000415SR	Pass
Art.3.1(b)	EMC	ETSI EN 301 489-1 V2.2.3 (2019-11) ETSI EN 301 489-3 V2.3.2 (2023-01) BS EN IEC 55015:2019/A11:2020 BS EN IEC 61547:2023 BS EN IEC 61000-3-2:2019+A1:2021+A2:2024 BS EN 61000-3-3: 2013+A1:2019+A2:2021	BZT252355000415ER02	Pass
Art.3.2	Radio	ETSI EN 300 440 V2.2.1 (2018-07)	BZT252355000415ER01	Pass

Technical documentation of the company and the product above have been observed and audit has been completed successfully by us with UK Radio Equipment Regulations (SI 2017 No.1206).

The UKCA mark shown below can only be used under the responsibility of the manufacturer with the completion of UK Declaration of Conformity and other necessary technical documentation for all the relevant regulation(s). The certificate applies to the tested sample above mentioned only and shall not imply an assessment of the whole production.

Remark: This report supersedes BZT252355000415EC which is withdrawn.



Scan QR code verification of authenticity



Alex Wu

Alex Wu
 Technical director
 Date: Oct.23, 2025



Lab Name : BZT Testing (Dongguan) Co.,Ltd.
Lab Address : 1F, Bangying Building, Fuma, Chigang Community, Humen Town, Dongguan City, Guangdong Province, China
BZT http : www.bzt-test.com
Telephone : +86-0769-81516886
 Confirm the authenticity of Test reports Email: bzt@bzt-test.com

Reference No. : WTN23N07163435E
 Applicant : Guangdong Zhangong Electrical Technology Co., LTD
 Address : 701, Building 29, Zhifu Garden, Xingtan Town, Shunde District, Foshan City
 Manufacturer : Same as applicant
 Address : Same as applicant
 Product : Furniture Power Distribution Units
 Model No. : ZG-JJY-1UK to -8UK, others see attachment
 Technical data : 250 Vac, 50 - 60 Hz, 13 A, USB: 5 Vdc, 2 A



Test Standards:

- BS EN IEC 55015:2019+A11:2020
- BS EN 61547:2009
- BS EN IEC 61000-3-2:2019+A1:2021
- BS EN 61000-3-3:2013+A1:2019+A2:2021

The above product has been tested by us with the listed standards and found in compliance with the Electromagnetic Compatibility Regulations 2016 of United Kingdom (S.I. 2016 No.1091). It is possible to use UKCA marking to demonstrate the compliance with the regulations.

- BS EN IEC 55015: Limits and methods of measurement of radio disturbance characteristics of electrical lighting and similar equipment**
- BS EN 61547:Equipment for general lighting purposes — EMC immunity requirements**
- BS EN IEC 61000-3-2:Electromagnetic compatibility (EMC)Part 3-2: Limits — Limits for harmonic current emissions (equipment input current ≤16 A per phase)**
- BS EN 61000-3-3:Electromagnetic compatibility (EMC)Part 3-3: Limits - Limitation of voltage changes, voltage fluctuations and flicker in public low-voltage supply systems, for equipment with rated current ≤ 16 A per phase and not subject to conditional connection**

The referred test report(s) show that the product complies with standard(s) recognized as giving presumption of compliance with the essential requirements in the above mentioned UK regulations. Other relevant UK regulations have to be observed.

After preparation of the necessary technical documentation as well as the declaration of conformity, the UKCA marking as shown below can be affixed on the equipment under the sole responsibility of the manufacturer.




 Manager:Jianzhong Mao
 Date:2023-09-05

The statement is based on a single evaluation of the sample of above mentioned product. It does not imply an assessment of the whole production.

Waltek Testing Group (Ningbo) Co., Ltd.

Hotline: 400-840-2288 E-mail: nb@waltek.com.cn
 Http://www.waltek.com.cn



Registration No. : WTN25D04079447
Reference No. : WTN25D04079447Z
Applicant : Guangdong Zhongong Electric Technology Co., Ltd.
Address : Room 701, Building 29, Shunde Zhifu Park, No.8, 2nd Ring Road, Gaozan village committee, Xingtan town, Shunde District, Foshan City, Guangdong Province
Manufacturer : The same as above
Address : The same as above
Product : MountableUSB Hub/USBCHARGER
Model No. : ZG-USB-O01A, ZG-USB-Y01A, ZG-USB-O02A, ZG-USB-Y02A, ZG-USB-O01B, ZG-USB-Y01B, ZG-USB-O02B, ZG-JJY-1UK to -8UK
Technical data : See model list



Test Standards:

BS EN IEC 61558-1:2019

BS EN 61558-2-16:2009+A1:2013

The above product has been tested by us with the listed standards and found in compliance with the Electrical Equipment (Safety) Regulations 2016 of United Kingdom (S.I. 2016 No.1101). It is possible to use UKCA marking to demonstrate the compliance with the regulations.

Safety of power transformers, power supplies, reactors and similar products - Part 1: General requirements and tests

Safety of transformers, reactors, power supply units and similar products for supply voltages up to 1100 V - Part 2-16: Particular requirements and tests for switch mode power supply units and transformers for switch mode power supply units

The referred test report(s) show that the product complies with standard(s) recognized as giving presumption of compliance with the essential requirements in the above mentioned UK regulations. Other relevant UK regulations have to be observed.

After preparation of the necessary technical documentation as well as the declaration of conformity, the UKCA marking as shown below can be affixed on the equipment under the sole responsibility of the manufacturer.



Manager: Deval Qin
Date: 2025-5-30

The statement is based on a single evaluation of the sample of above mentioned product. It does not imply an assessment of the whole production.

Waltek Testing Group Co., Ltd.

Hotline:400-840-2288

E-mail:info@waltek.com.cn

Http://www.waltek.com.cn

Ver.03. 26.09.2024, WALTEK is registered trademark. Utilisation and application requires prior approval.

Attachment

Model list



WALTEK

TESTING-CERTIFICATION-INSPECTION

Reference No.: WTN25D04079447Z

Model List:

Product name	Model name	Differences
MountableUSB Hub/USBCHA RGER	ZG-USB-O01A, ZG-USB-O01B	Input: AC 100V-250V,50/60Hz Type-C Output: 5Vdc 2.1A USB Output: 5Vdc 2.1A Type-C+USB Output: 5Vdc 2.1A EU plug
	ZG-USB-O02A, ZG-USB-O02B	Input: AC 100V-250V,50/60Hz USB Output: 5Vdc 2.1A USB+USB Output: 5Vdc 2.1A EU plug
	ZG-USB-Y01A, ZG-USB-Y01B	Input: AC 100V-250V,50/60Hz Type-C Output: 5Vdc 2.1A USB Output: 5Vdc 2.1A Type-C+USB Output: 5Vdc 2.1A UK plug
	ZG-USB-Y02A, ZG-JJY-1UK to -8UK	Input: AC 100V-250V,50/60Hz USB Output: 5Vdc 2.0A USB+USB Output: 5Vdc 2.0A UK plug

====End of Attachment====

Waltek Testing Group Co., Ltd.

Hotline:400-840-2288

E-mail:info@waltek.com.cn

Http://www.waltek.com.cn

Ver.03. 26.09.2024, WALTEK is registered trademark. Utilisation and application requires prior approval.

DECLARATION OF CONFORMITY (No 0001)

1. Product model/product:

ZG-JJY-1UK to -8UK

2. Name and address of the manufacturer or his authorised representative:

Name: **Guangdong Zhangong Electric Technology Co., Ltd.**

Address: **Room 701, Building 29, Shunde Zhifu Park, No.8, 2nd Ring Road, Gaozan village committee, Xingtan town, Shunde District, Foshan City, Guangdong Province**

3. This declaration of conformity is issued under the sole responsibility of the manufacturer.

4. Object of the declaration:

MountableUSB Hub

ZG-JJY-1UK to -8UK

Input: 5V 2.1A

Output: 5V 2A

5. The object of the declaration described above is in conformity with the relevant Union harmonisation legislation:

UKCA:

BS EN IEC 61558-1:2019 BS EN 61558-2-16:2009+A1:2013

BS EN IEC 55015:2019+A11:2020 BS EN 61547:2009 BS EN IEC 61000-3-2:2019+A1:2021 BS EN 61000-3-3:2013+A1:2019+A2:2021

Restriction of the Use of Certain Hazardous Substances in Electrical and Electronic Equipment Regulations 2019. SI 2012/3032 & SI 2023/658

6. References to the relevant harmonised standards used or references to the other technical specifications in relation to which conformity is declared:



UKCA:

BS EN IEC 61558-1:2019 BS EN 61558-2-16:2009+A1:2013

BS EN IEC 55015:2019+A11:2020 BS EN 61547:2009 BS EN IEC 61000-3-2:2019+A1:2021 BS EN 61000-3-3:2013+A1:2019+A2:2021

Restriction of the Use of Certain Hazardous Substances in Electrical and Electronic Equipment Regulations 2019: IEC 62321 系列

7. Additional information: Risk of electric shock. Do not open.
For indoor use only.

Signed for and on behalf of: Guangdong Zhongong Electric Technology Co., Ltd.

(place and date of issue): FOShan, China 2026.3.14

(name, function) (signature): General Manager, Yuxing Xiao

