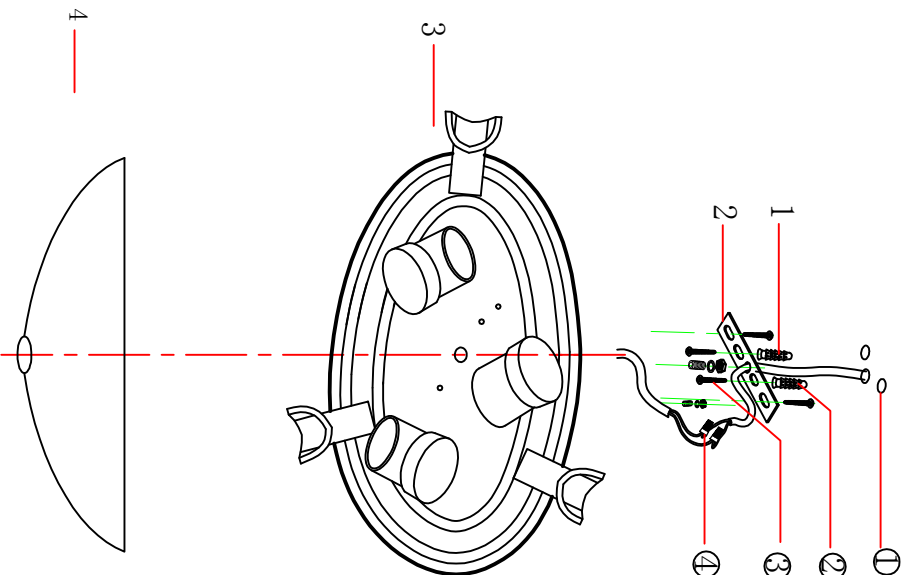


# INSTALLATION



- Installation:**
- ① Drill a hole in the ceiling.
  - ② Insert the expansion bolt in the ceiling.
  - ③ Mount the crissbar by screws.
  - ④ Connect the cable.
  - ⑤ Mount the bracket.
  - ⑥ Put the lamp shade and light source.
- Cautions:**
- ❖ Should be installed by professional person
  - ❖ During the cleaning and installation remember to cut the power off
  - ❖ Keep the lamps away from corrosive chemical and air such as acid and alkali.
  - ❖ Do not wash it with water, but wipe it clean with a soft cloth.

## Accessory List

No	Part Name	Photo	QTY
1	Screw		1
2	hanging board		1
3	Light Source		1
4	The Lampshade		1

### Ceiling Lamp

100-240V  
50Hz/60Hz  
MAX: 60W

