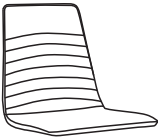
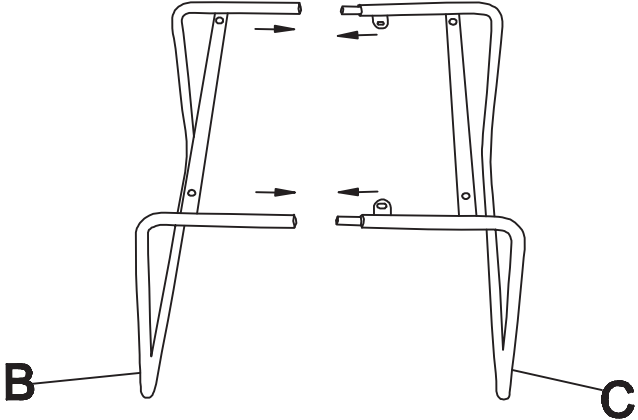
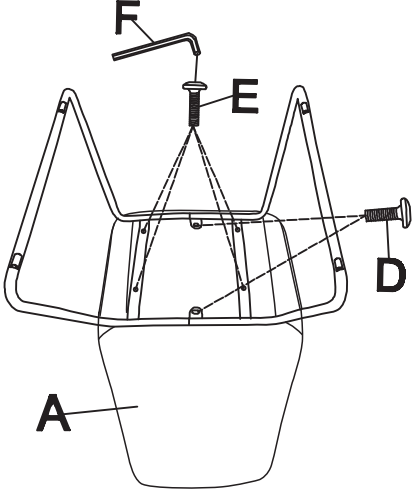

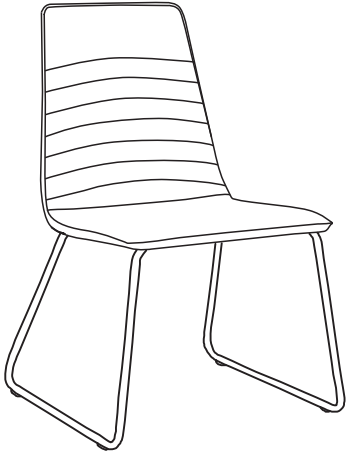





ASSEMBLY INSTRUCTION

<< Before assembling, read all the instruction >>

A×1 	1 	2 
B×1 	3 	
C×1 		
D×2 		
E×4 		
F×1 