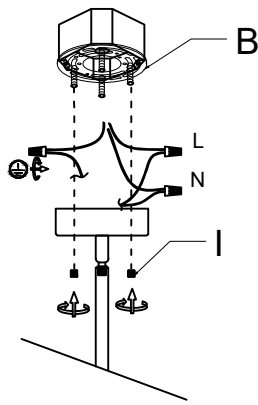


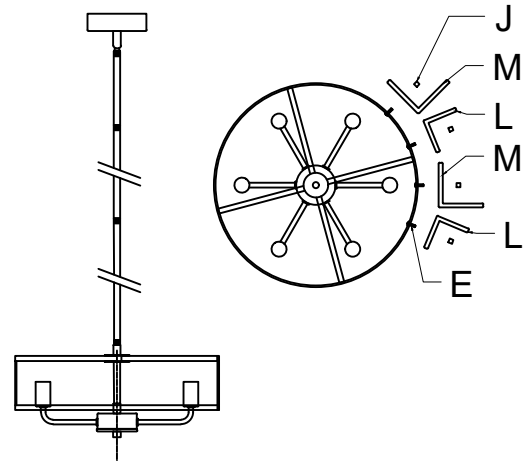
Installation Method

5



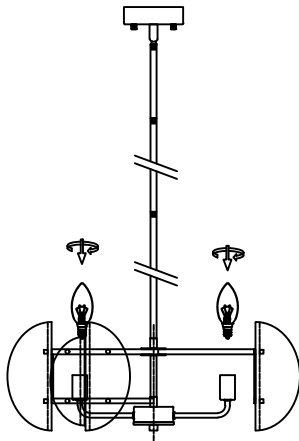
Fix the lamp to the hanging plate (B) using the screw cap (I).

6



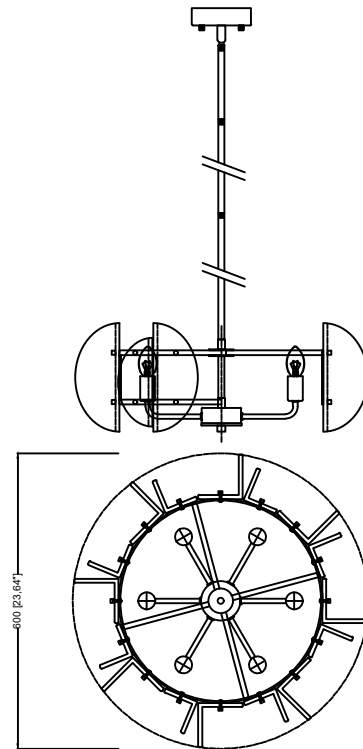
Fix the glass sheet (L/M) onto the lamp body (K) using hardware components (E/G).

7



Tighten the light bulb onto the lamp body

8



IMPORTANT

1. Always shut off power to the circuit before starting installation work
2. Installation is to be carried out by a qualified electrician.
3. This lamp must be permanently wired into the electric system.
4. Please do not attempt to retrofit or replace fittings to avoid damaging the lamps or causing accidents