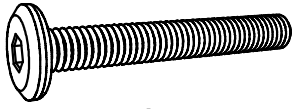


ASSEMBLY INSTRUCTIONS

- Description: Console With Shelf K/D

Page 01 of 02

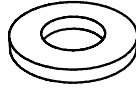
Hardware List



A
08 pcs



B
08 pcs



C
08 pcs



Z
01 pc



D
01 pc

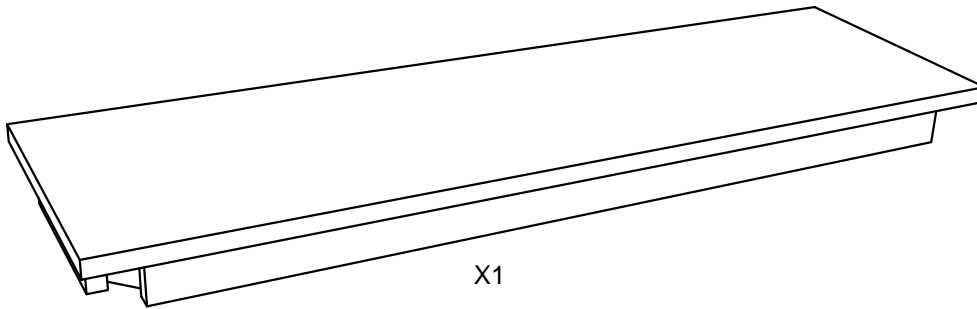


E
02 pcs

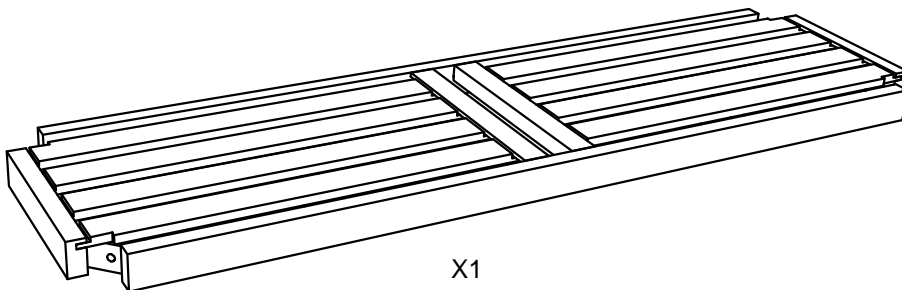


F
01 pc

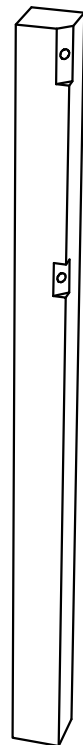
Component List



X1



X1



X4

