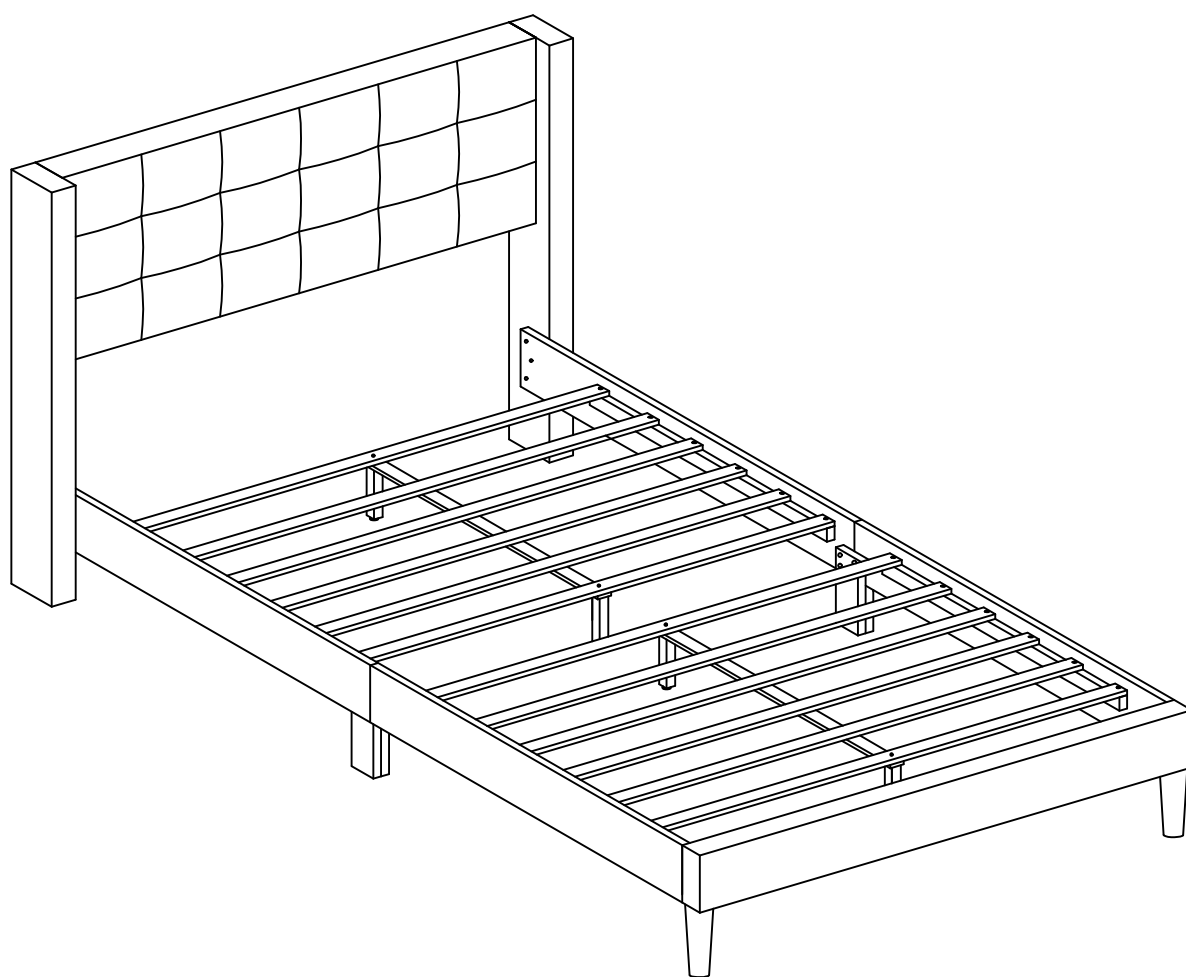
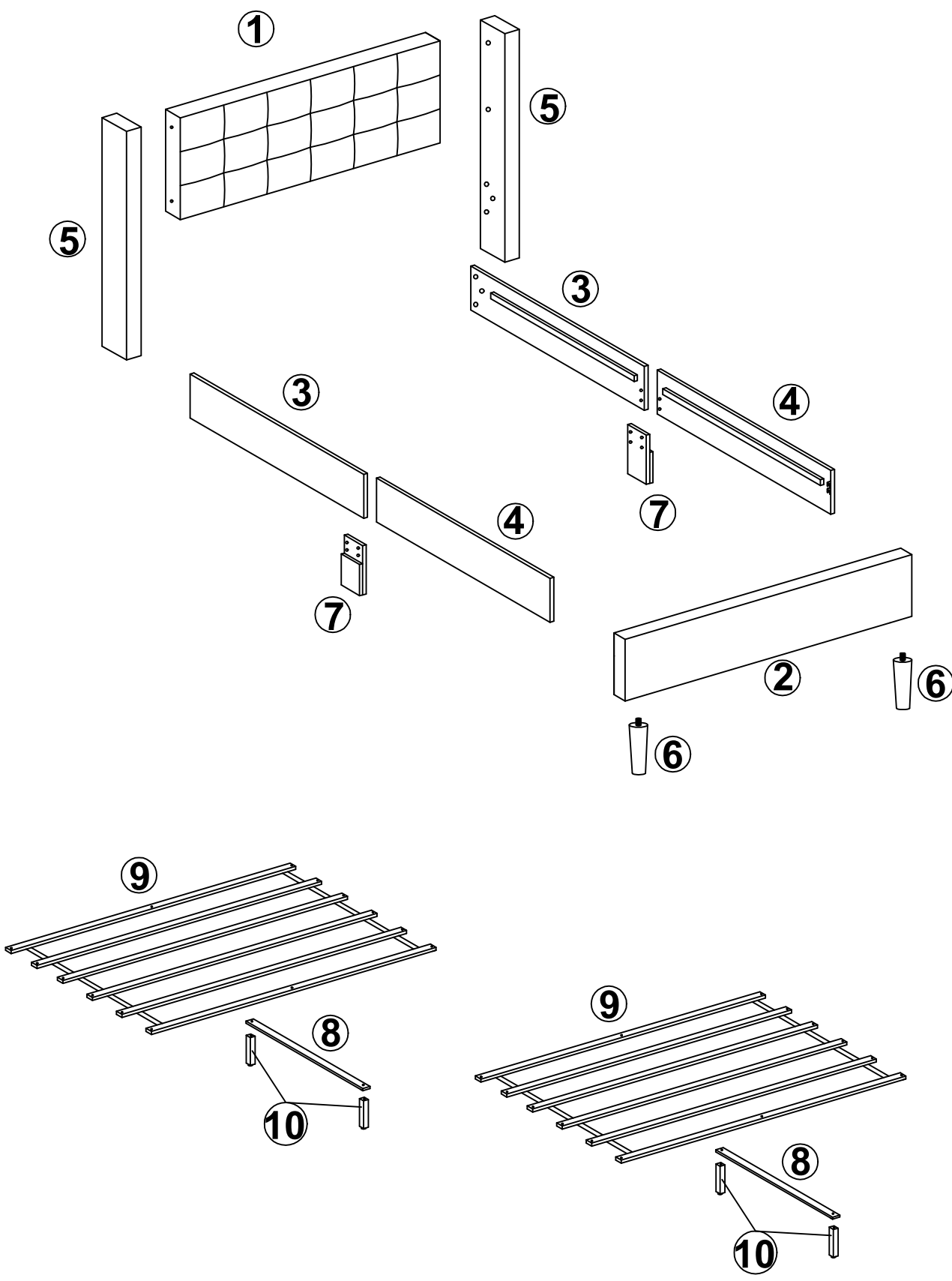


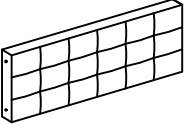
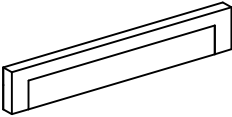
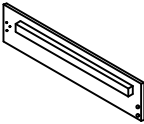
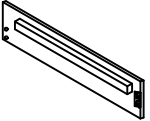


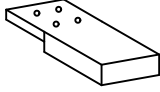
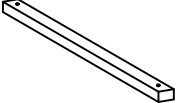
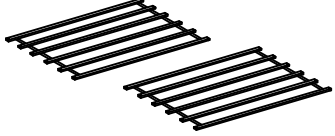

# ASSEMBLY INSTRUCTIONS



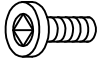
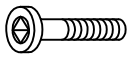
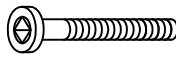
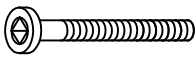
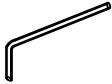
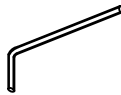


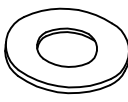
# Detail View



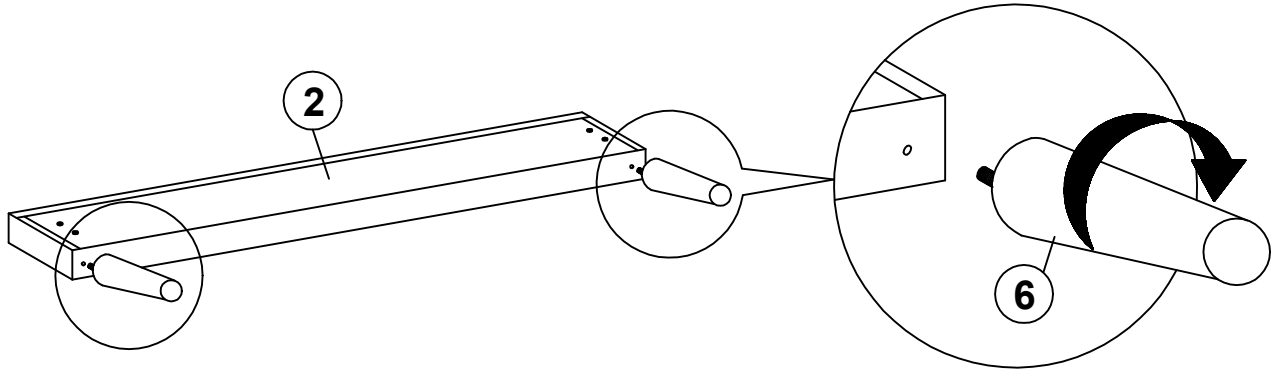
# Part List & Hardware List

<b>1</b> 	<b>2</b> 	<b>3</b> 
<b>Headboard - 1pc</b>	<b>Footboard - 1pc</b>	<b>Side Rail (L/R) - 2pcs</b>
<b>4</b> 	<b>5</b> 	<b>6</b> 
<b>Side Rail (L/R) - 2pcs</b>	<b>Side Wing (L/R) - 2pcs</b>	<b>Footboard Leg - 2pcs</b>
<b>7</b> 	<b>8</b> 	<b>9</b> 
<b>Side Rail Support Leg - 2pcs</b>	<b>Center Rail - 2pcs</b>	<b>Slat 6 roll - 2pcs</b>
<b>10</b> 		
<b>Support Leg - 4pcs</b>		

# Hardware List

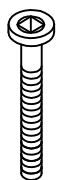


<b>A</b>  Ø1/4"*20mm	<b>B</b>  Ø1/8"*30mm	<b>C</b>  Ø1/8"*50mm
Hex-Head bolt (4pcs)	Hex-Head bolt (8pcs)	Hex-Head bolt (10pcs)
<b>D</b>  Ø1/8"*60mm	<b>E</b>  65mm	<b>F</b>  70mm
Hex-Head bolt (4pcs)	Allen key (1pc)	Allen key (1pc)
<b>G</b>  #4*32mm	<b>H</b>  M6	<b>I</b>  M6
Screw (24pcs)	Spring Washer (10pcs)	Flat Washer (18pcs)

# Step 1:

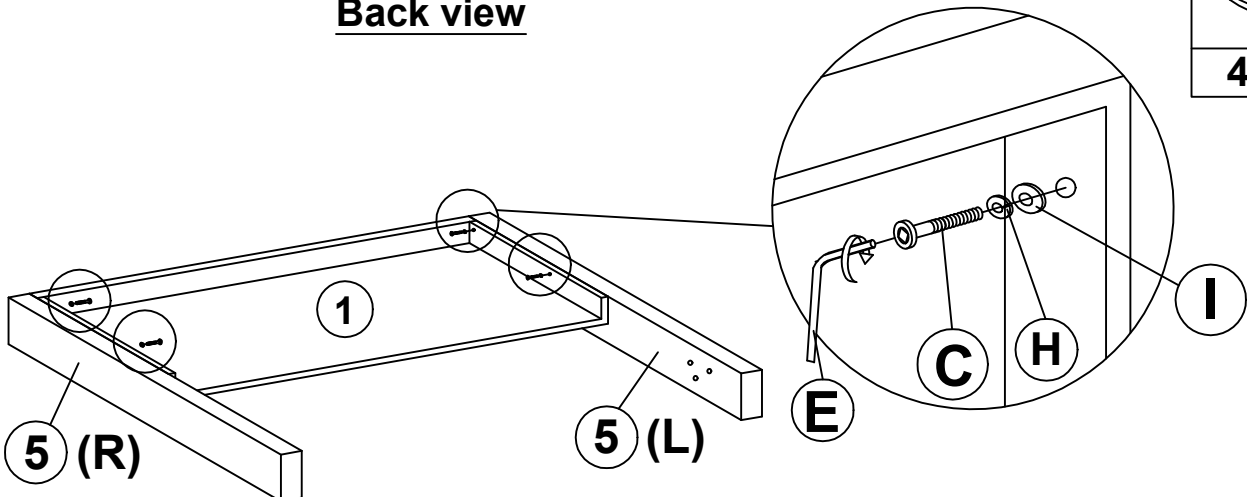


Back view

# Step 2:

<b>C</b>		<b>H</b>	
<b>4pcs</b>		<b>4pcs</b>	
		<b>I</b>	
		<b>4pcs</b>	

Back view

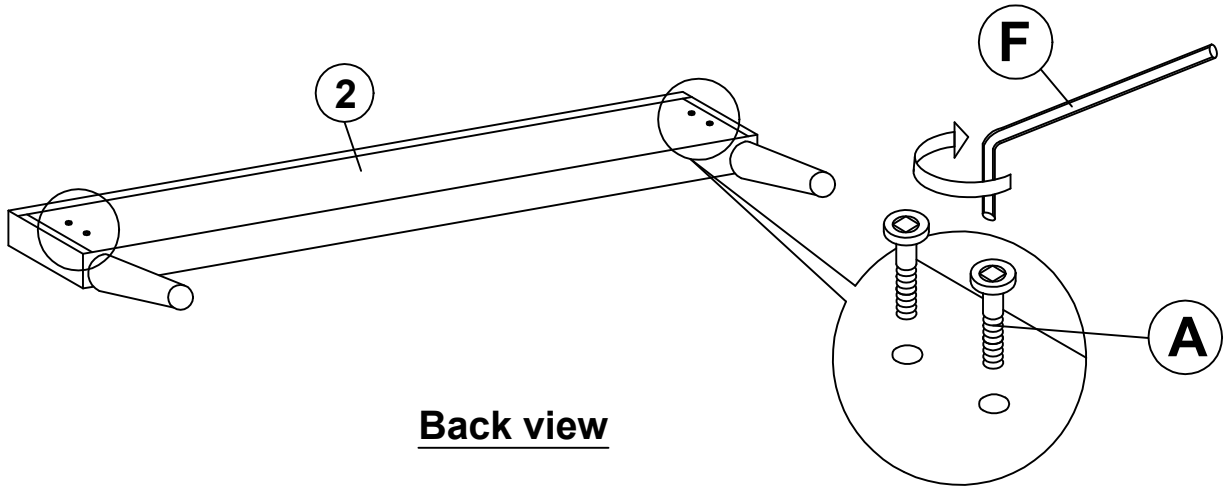


# Step 3:

**A**

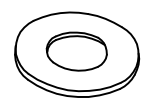


**4pcs**



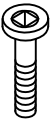
# Step 4:

**I**

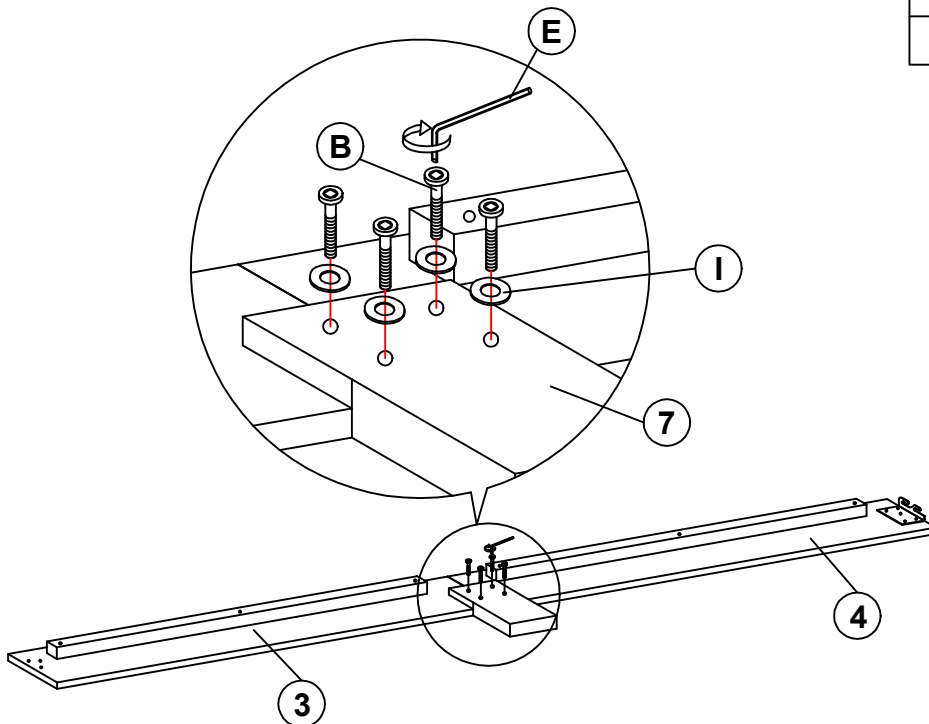


**8pcs**

**B**


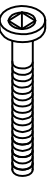
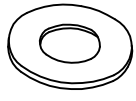


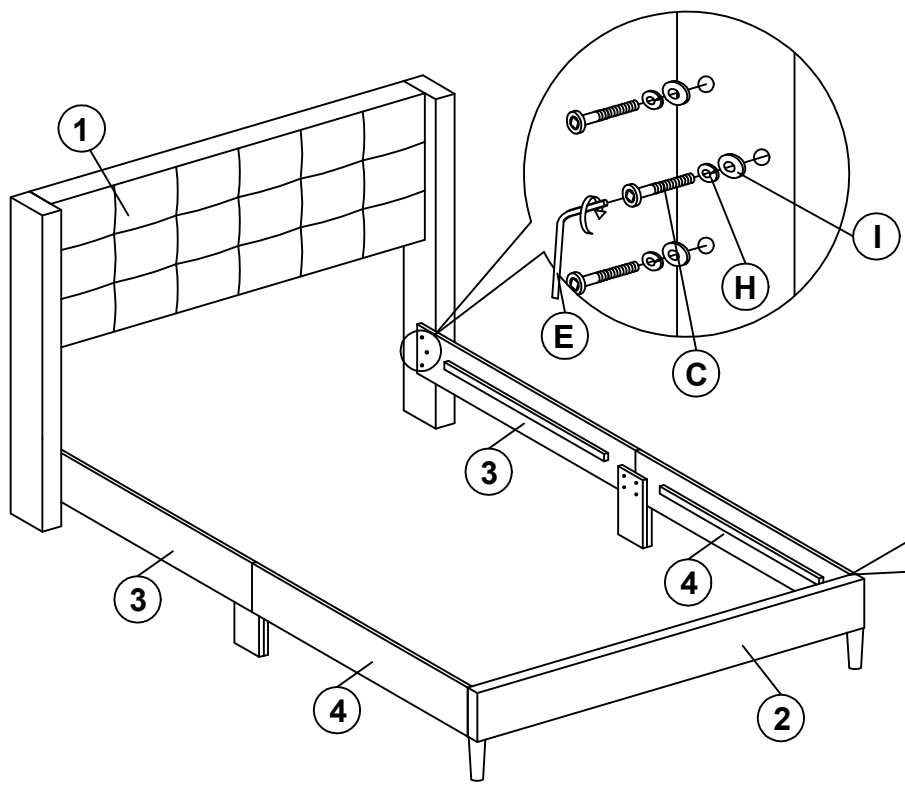
**8pcs**



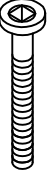
**x2**

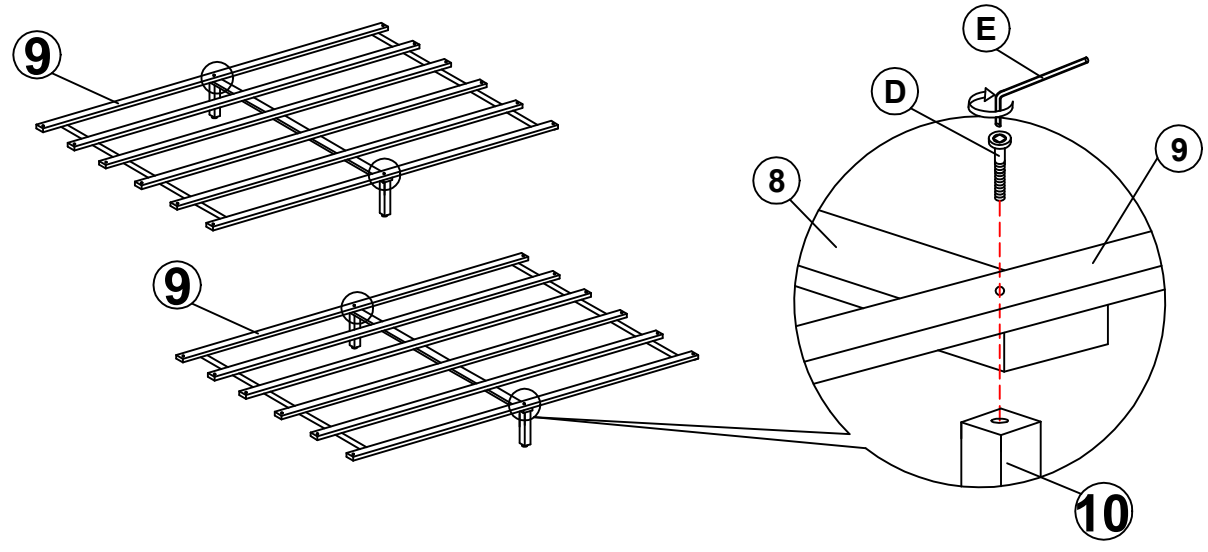
# Step 5:

<b>H</b>	<b>C</b>
	
<b>6pcs</b>	<b>6pcs</b>
	<b>I</b>
	
	<b>6pcs</b>



# Step 6:

<b>D</b>

<b>4pcs</b>

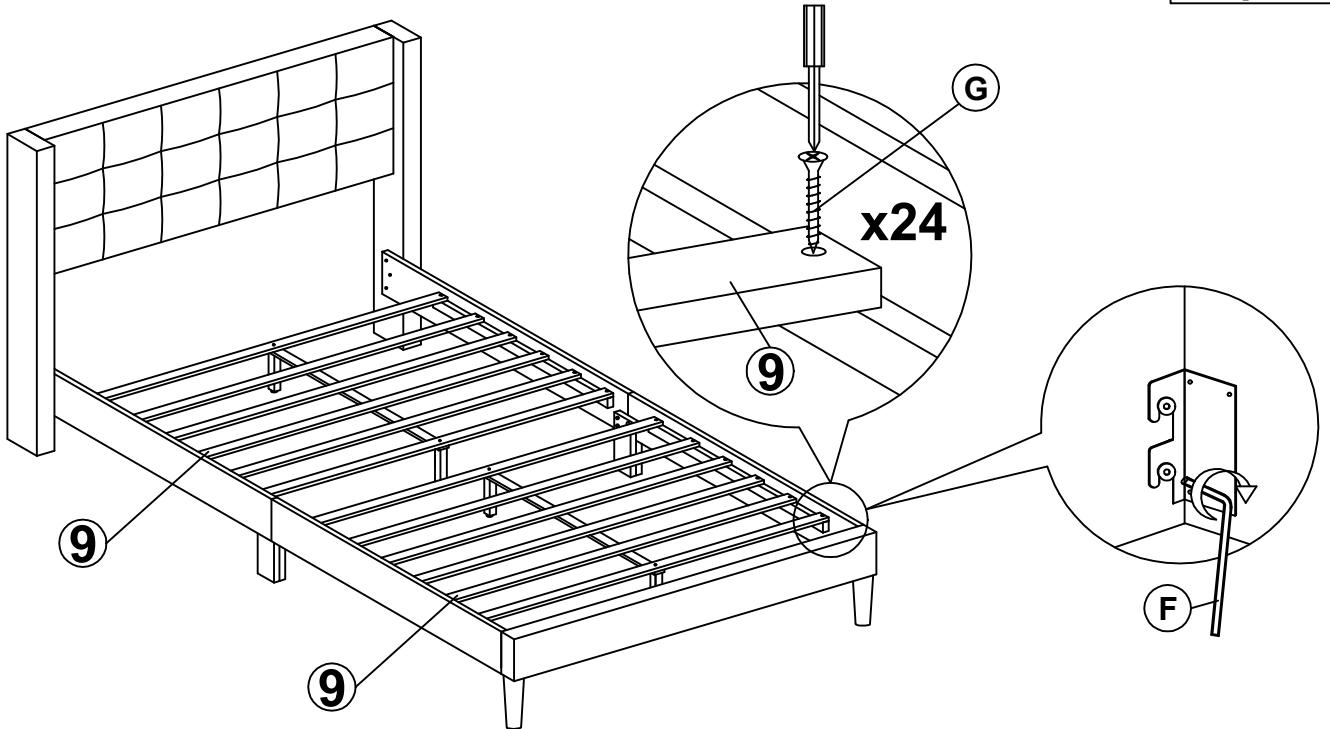


# Step 7:

**G**



**24pcs**



# Step 8:

